



US00D679563S

(12) **United States Design Patent**
Pectol

(10) **Patent No.:** **US D679,563 S**

(45) **Date of Patent:** **** Apr. 9, 2013**

(54) **HANDHELD PRESS**

(75) Inventor: **Matthew Scott Pectol**, Fruit Heights,
UT (US)

(73) Assignee: **Imaginisce, LLC**, Salt Lake City, UT
(US)

(**) Term: **14 Years**

(21) Appl. No.: **29/384,017**

(22) Filed: **Jan. 25, 2011**

(51) **LOC (9) Cl.** **08-05**

(52) **U.S. Cl.**
USPC **D8/52**

(58) **Field of Classification Search** D8/1, 4,
D8/5, 14, 51, 52, 54-58, 71-75, 78, 105,
D8/107; D24/133, 140, 143, 152-154, 216,
D24/148; 81/300, 302, 318-338, 342, 351,
81/415-424, 424.5, 426, 426.5, 427, 427.5;
D19/72

See application file for complete search history.

(56) **References Cited**

U.S. PATENT DOCUMENTS

3,519,188	A *	7/1970	Erhardt, Jr.	227/144
D284,734	S *	7/1986	Kurylo et al.	D8/52
D312,952	S *	12/1990	Berto	D8/52
5,884,540	A *	3/1999	Mo	81/423
D436,302	S *	1/2001	Lin	D8/52
6,282,796	B1 *	9/2001	Lin	30/364
6,551,316	B1 *	4/2003	Rinner et al.	606/57

6,691,548	B1 *	2/2004	Schnepper	72/409.01
7,409,768	B1 *	8/2008	Chapman	30/426
7,431,723	B2 *	10/2008	Hazebrouck	606/99
D592,474	S *	5/2009	Lin	D8/52
D638,541	S *	5/2011	Claypool	D24/133
D651,310	S *	12/2011	Claypool et al.	D24/133
2008/0173144	A1 *	7/2008	Hiller	81/337

* cited by examiner

Primary Examiner — Austin Murphy

(74) *Attorney, Agent, or Firm* — Durham Jones & Pinegar,
P.C.

(57) **CLAIM**

The ornamental design for a handheld press, as shown and described.

DESCRIPTION

FIG. 1 is frontal perspective view of an embodiment of a design for a handheld press;

FIG. 2 is a rear perspective view of the embodiment of the handheld press design shown in FIG. 1;

FIG. 3 is a side view of the embodiment of the handheld press design shown in FIGS. 1 and 2;

FIG. 4 is a front view of the embodiment of the handheld press design shown in FIGS. 1-3;

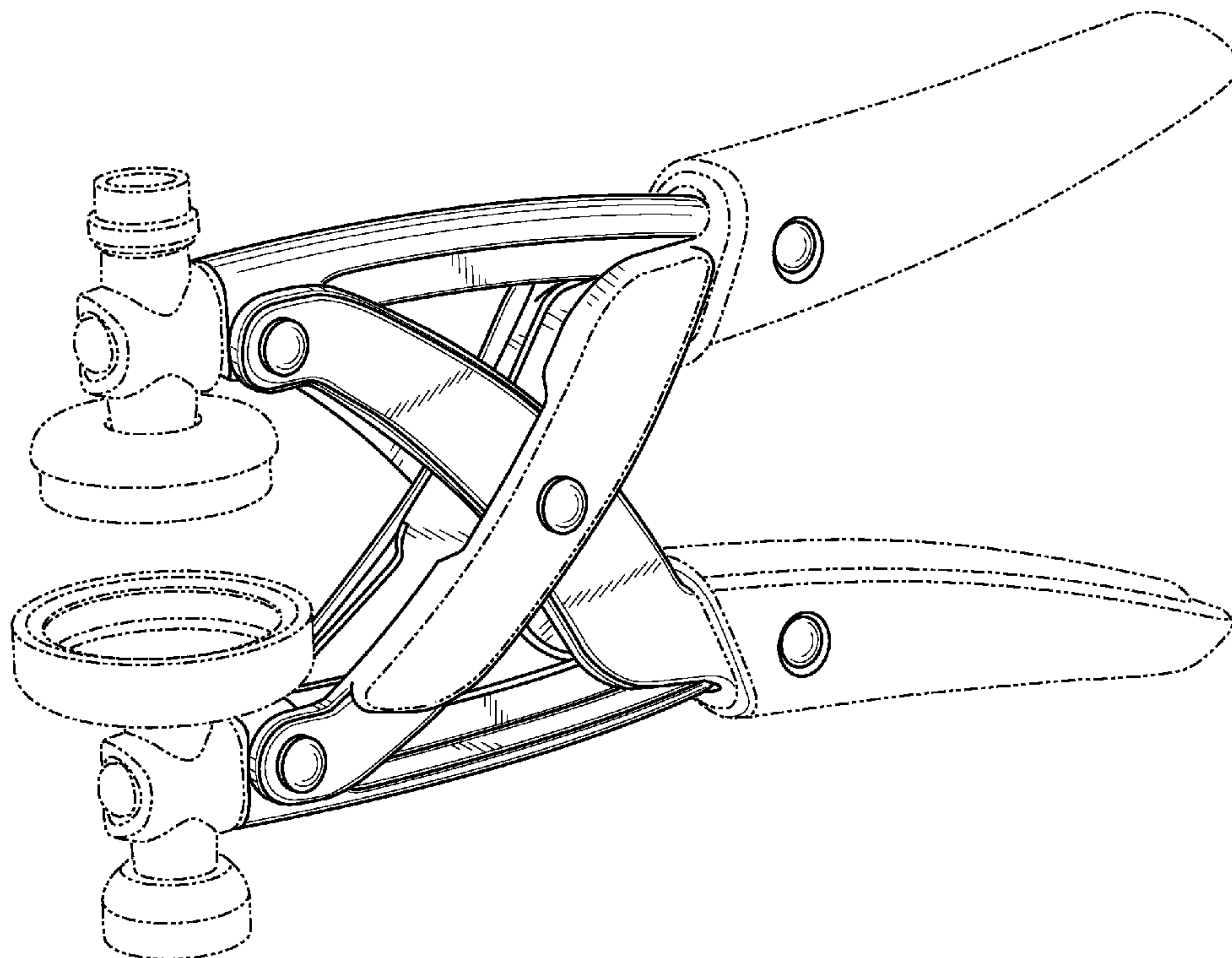
FIG. 5 is a top view of the embodiment of the handheld press design shown in FIGS. 1-4;

FIG. 6 is a bottom view of thereof; and,

FIG. 7 is a rear view thereof.

The broken lines shown in the drawings represent portions of the handheld press that form no part of the claimed design.

1 Claim, 4 Drawing Sheets



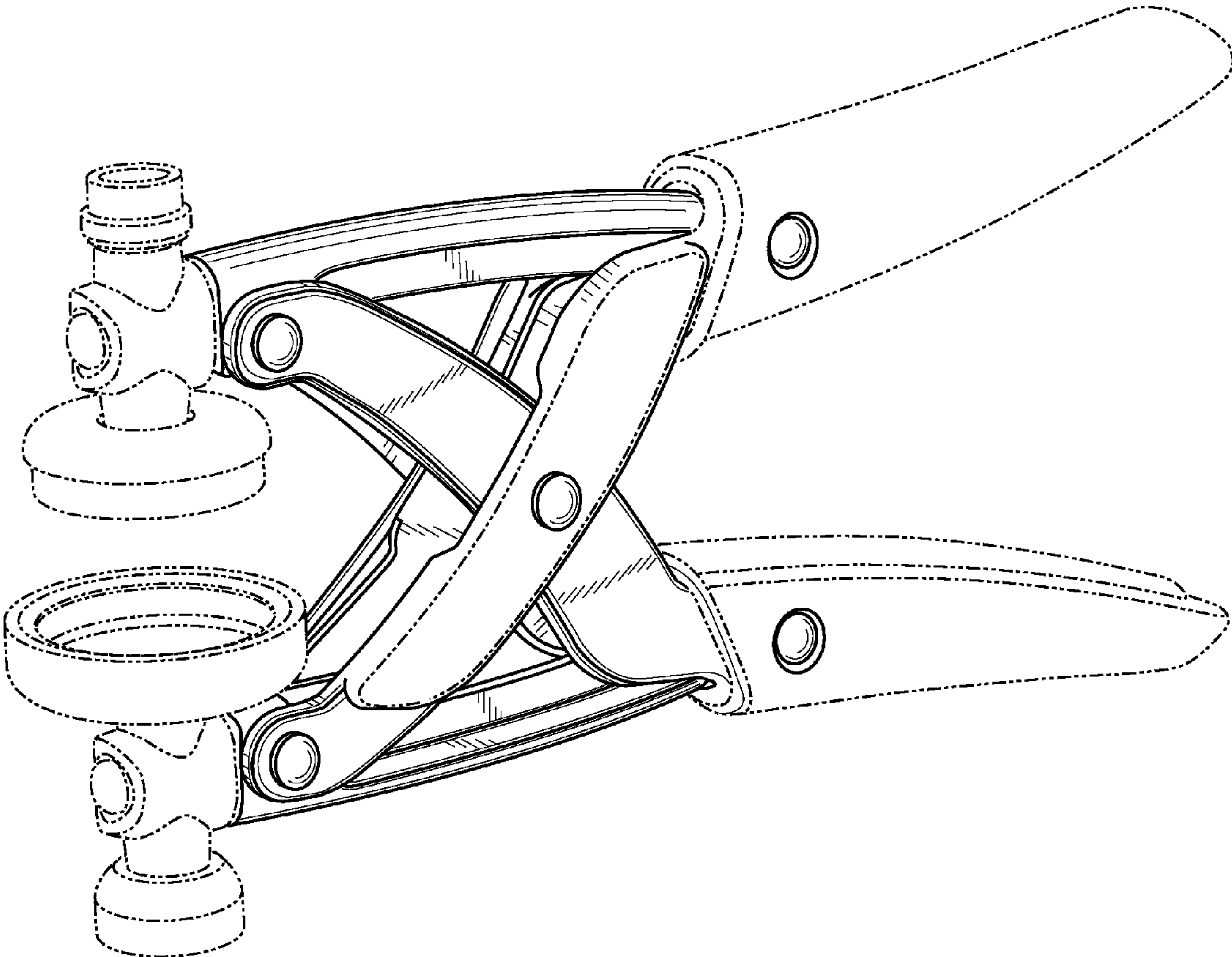


FIG. 1

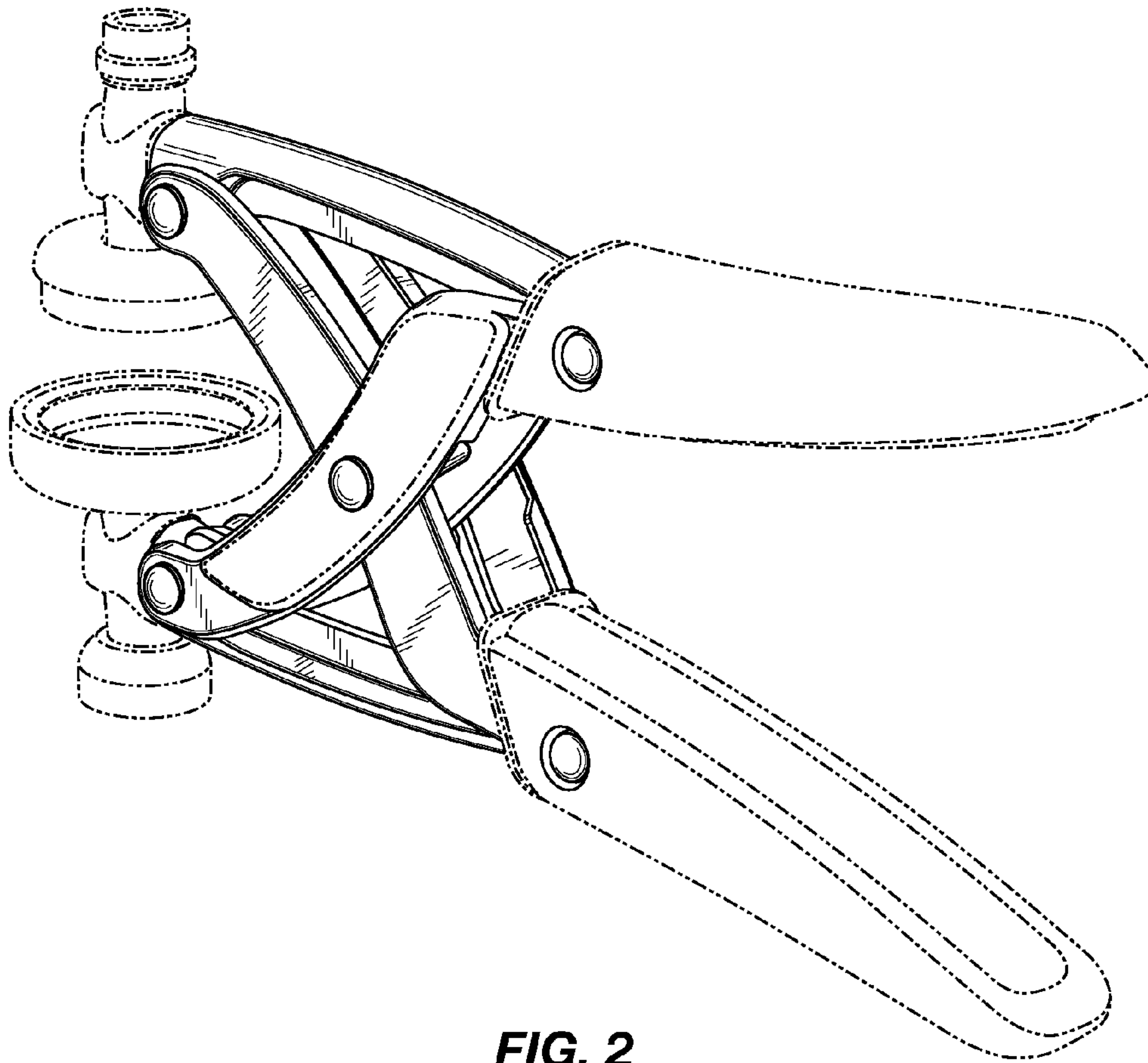


FIG. 2

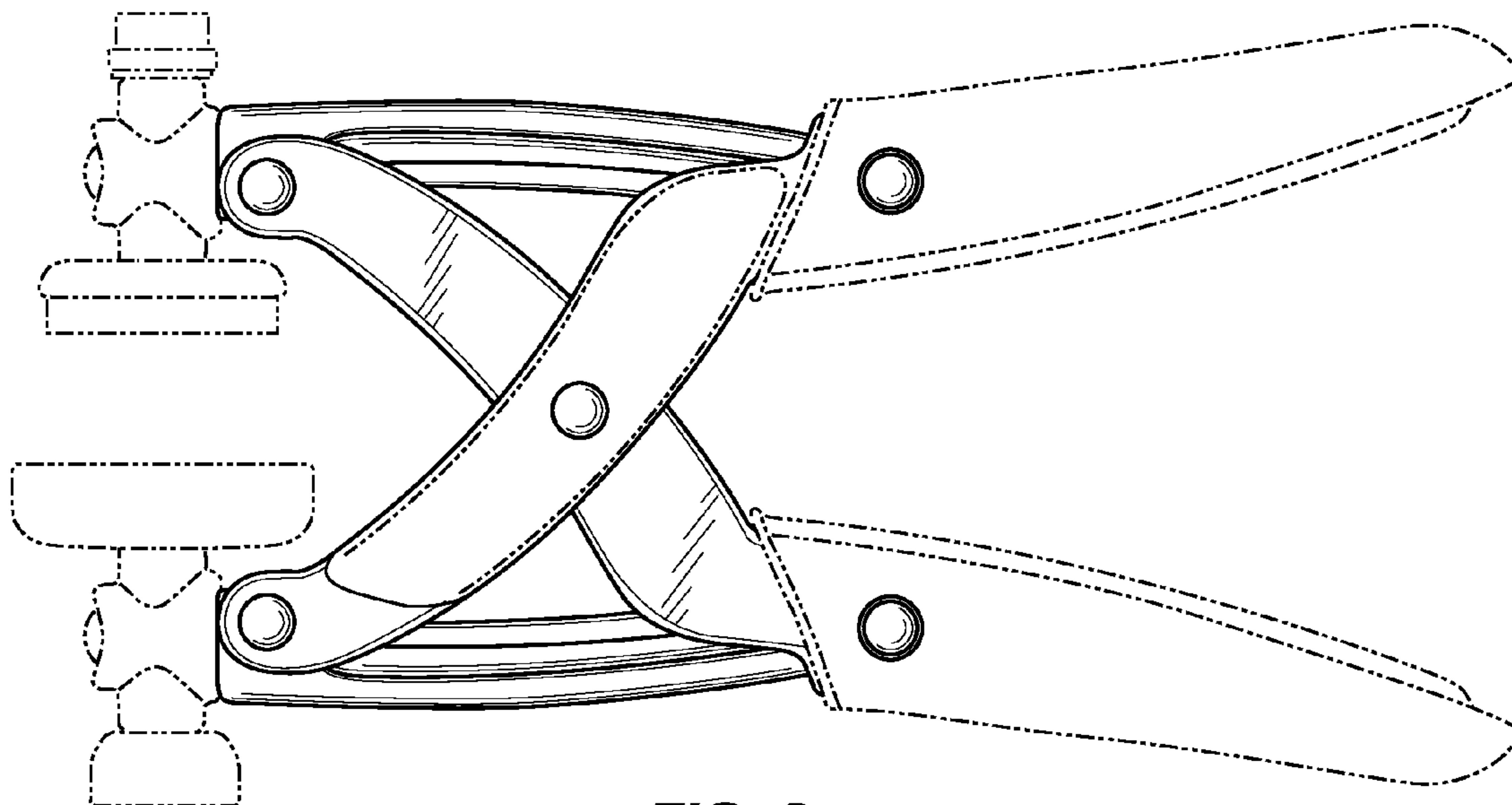


FIG. 3

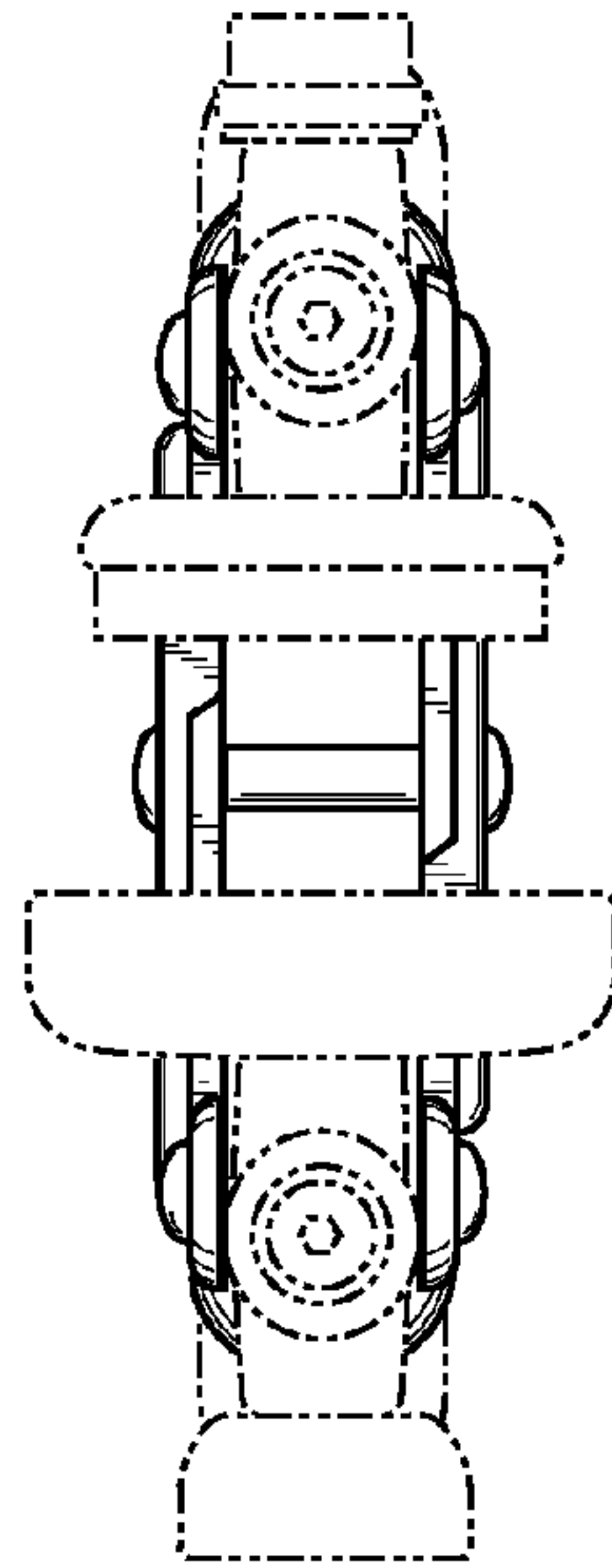


FIG. 4

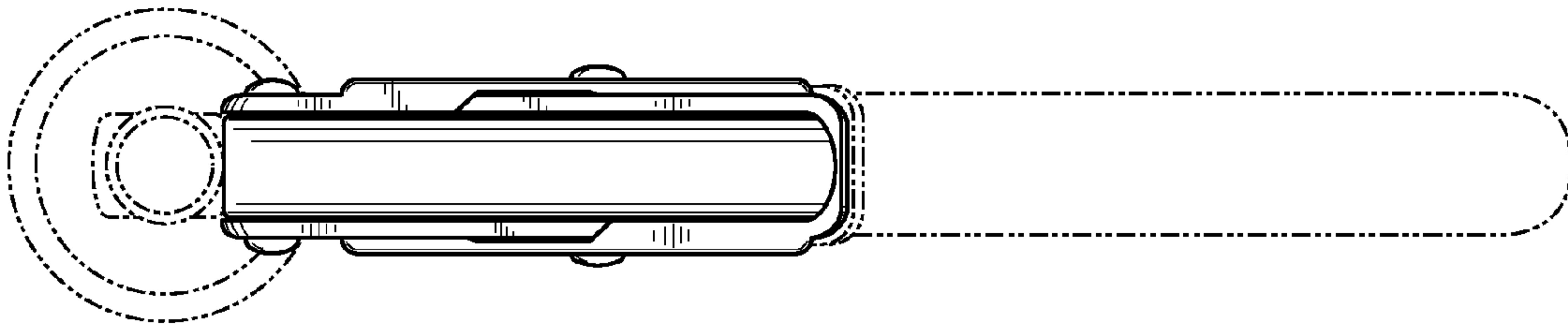


FIG. 5

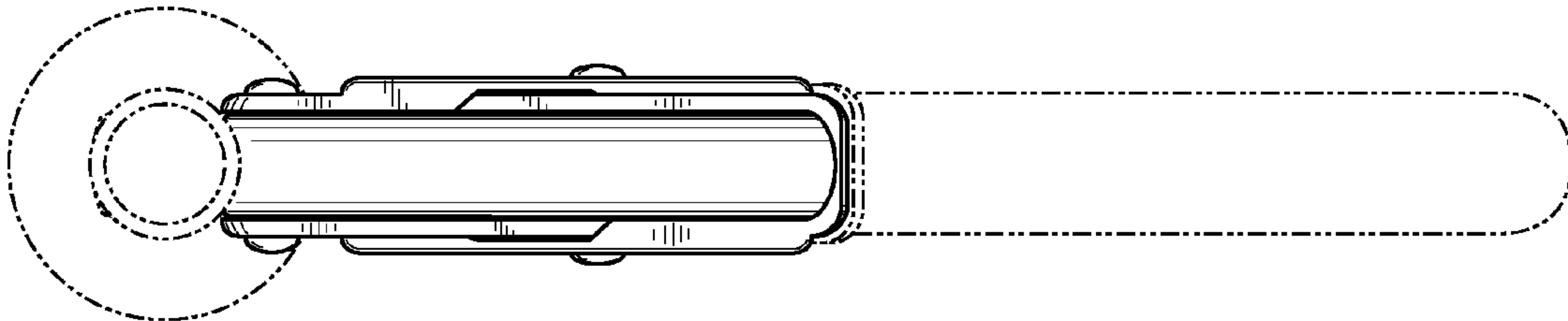


FIG. 6

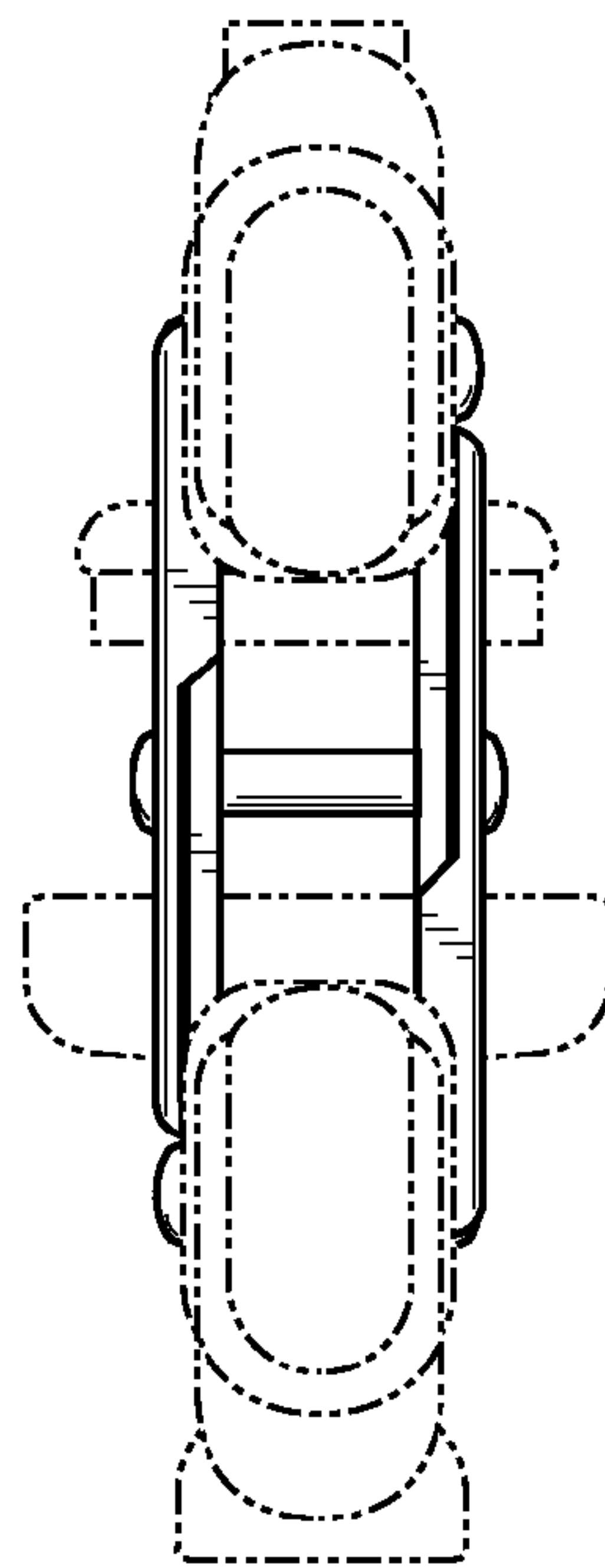


FIG. 7