



US00D679561S

(12) **United States Design Patent**
Price

(10) **Patent No.:** **US D679,561 S**

(45) **Date of Patent:** **** Apr. 9, 2013**

(54) **HEAT GUN**

(76) **Inventor:** **Richard Price**, Woking (GB)

(**) **Term:** **14 Years**

(21) **Appl. No.:** **29/388,108**

(22) **Filed:** **Mar. 24, 2011**

(51) **LOC (9) Cl.** **08-05**

(52) **U.S. Cl.** **D8/29.1**

(58) **Field of Classification Search** D8/14.1,
D8/29.1-29.2, 30; 219/222, 225, 227, 229,
219/238; D28/12-13, 18, 35; 392/383-385
See application file for complete search history.

(56) **References Cited**

U.S. PATENT DOCUMENTS

| | | | | | | |
|-----------|----|---|---------|--------------------|-------|---------|
| D283,259 | S | * | 4/1986 | Stansbury, Jr. | | D28/13 |
| D310,733 | S | * | 9/1990 | Gelinas | | D28/13 |
| D334,876 | S | * | 4/1993 | Swetish | | D8/29.1 |
| 5,841,943 | A | * | 11/1998 | Nosenchuck | | 392/385 |
| D456,679 | S | * | 5/2002 | Cheng | | D8/29.1 |
| D457,044 | S | * | 5/2002 | Cheng | | D8/29.1 |
| D457,407 | S | * | 5/2002 | Pretzell | | D8/29.1 |
| 6,738,564 | B1 | * | 5/2004 | Tung | | 392/385 |
| D552,443 | S | * | 10/2007 | Aglassinger et al. | | D8/29.1 |
| D572,097 | S | * | 7/2008 | Yung-Kuan | | D8/29.1 |

| | | | | | | |
|--------------|----|---|--------|----------------|-------|---------|
| D615,834 | S | * | 5/2010 | Netzler | | D8/29.1 |
| D615,835 | S | * | 5/2010 | Netzler | | D8/29.1 |
| D639,129 | S | * | 6/2011 | Van Wambeke | | D8/29.1 |
| 2008/0181590 | A1 | * | 7/2008 | Radwill et al. | | 392/385 |
| 2010/0065545 | A1 | * | 3/2010 | Chung et al. | | 219/227 |

* cited by examiner

Primary Examiner — Philip S Hyder

Assistant Examiner — Roselynn Cody

(74) *Attorney, Agent, or Firm* — Gary E. Lambert; David J. Connaughton, Jr.; Mutua Mattu

(57) **CLAIM**

The ornamental design for a heat gun, as shown and described.

DESCRIPTION

FIG. 1 is an isometric view of the heat gun, which embodies my design;

FIG. 2 is a top plan view thereof;

FIG. 3 is a front view thereof;

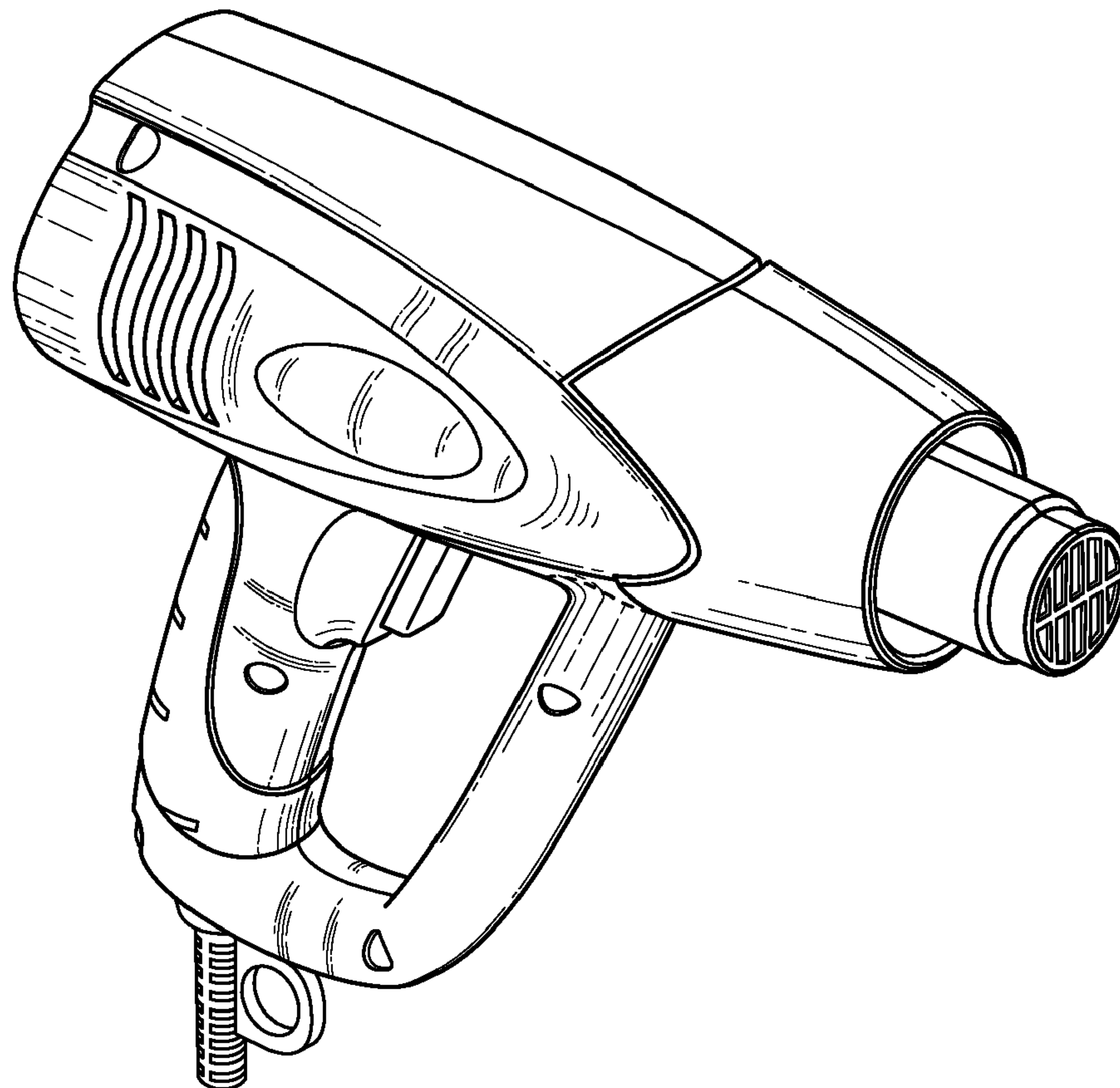
FIG. 4 is a rear view thereof;

FIG. 5 is a left side view thereof; and,

FIG. 6 is a right side view thereof.

The broken lines in the drawings illustrate features of the heat gun that form no part of the claimed design.

1 Claim, 3 Drawing Sheets



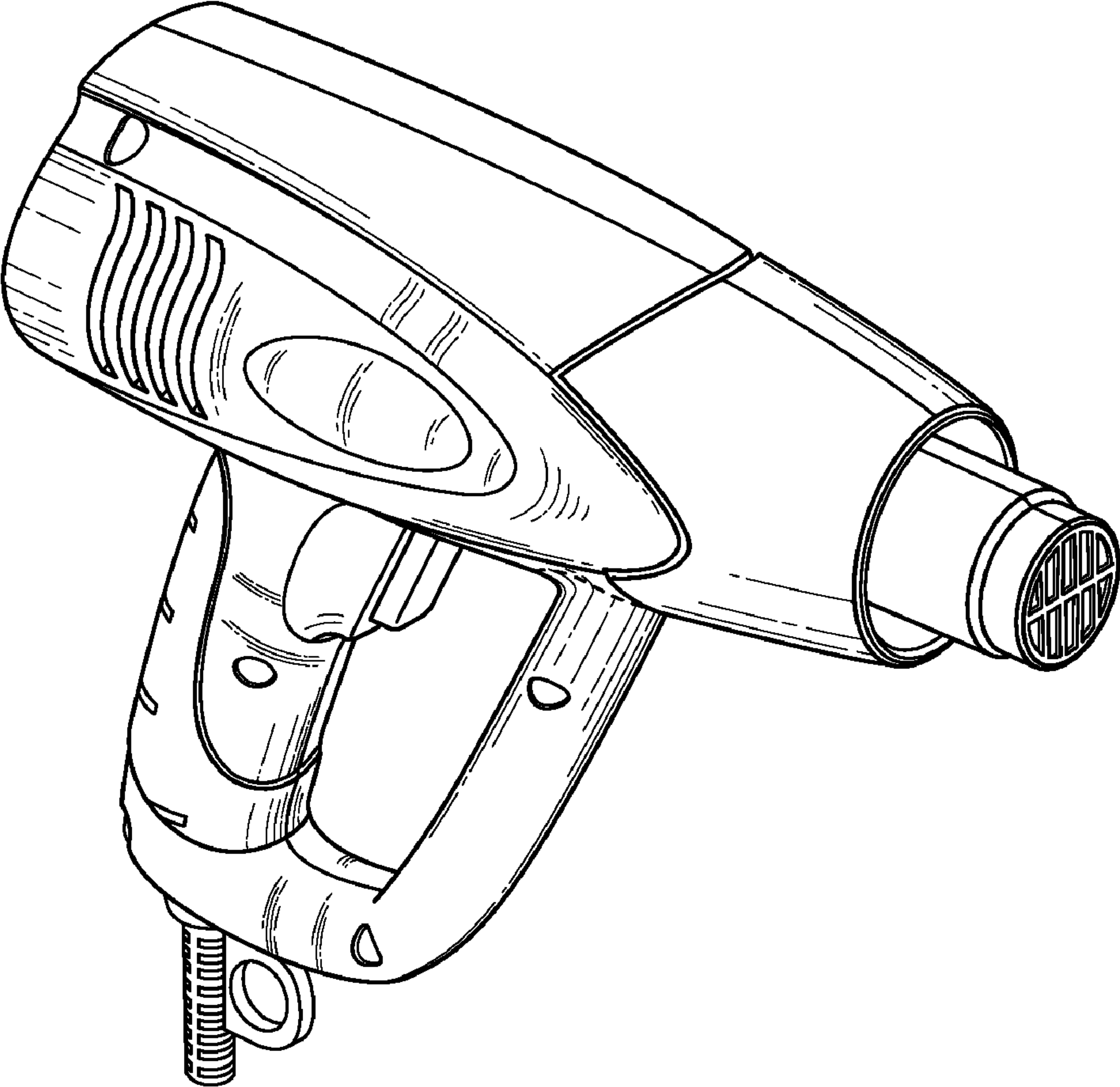


Fig. 1

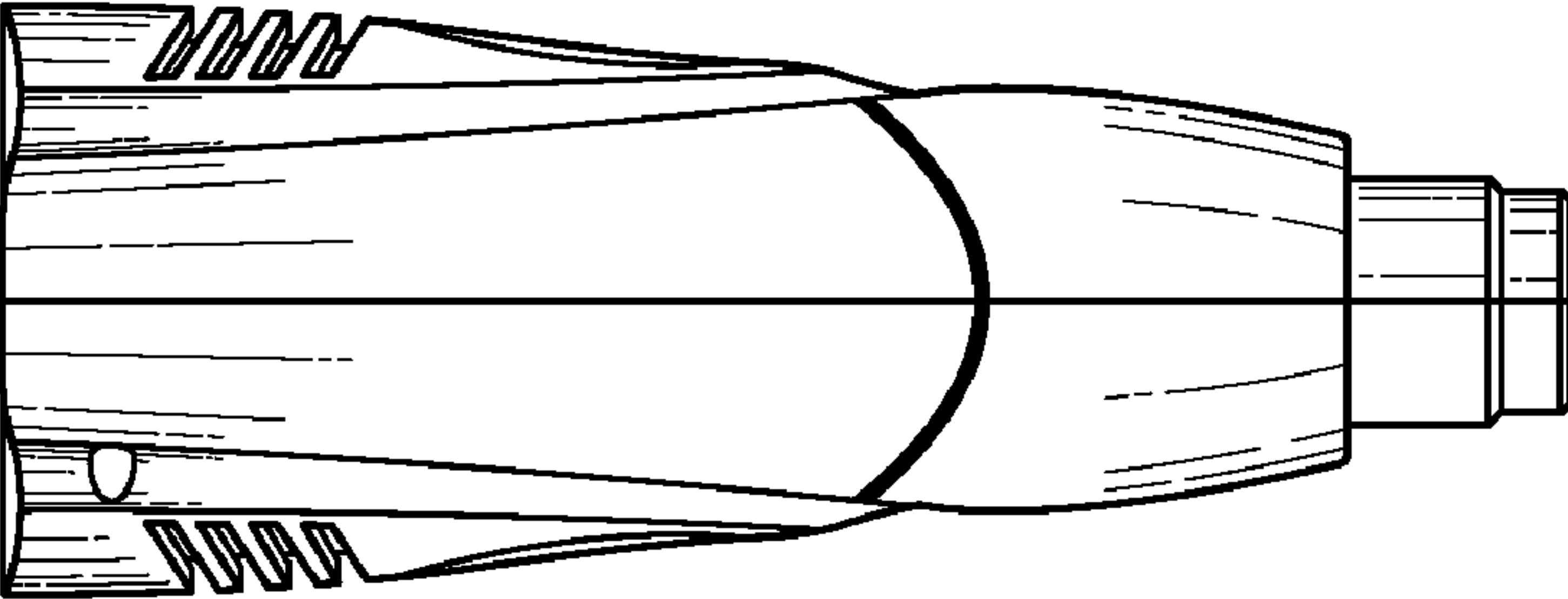


Fig. 2

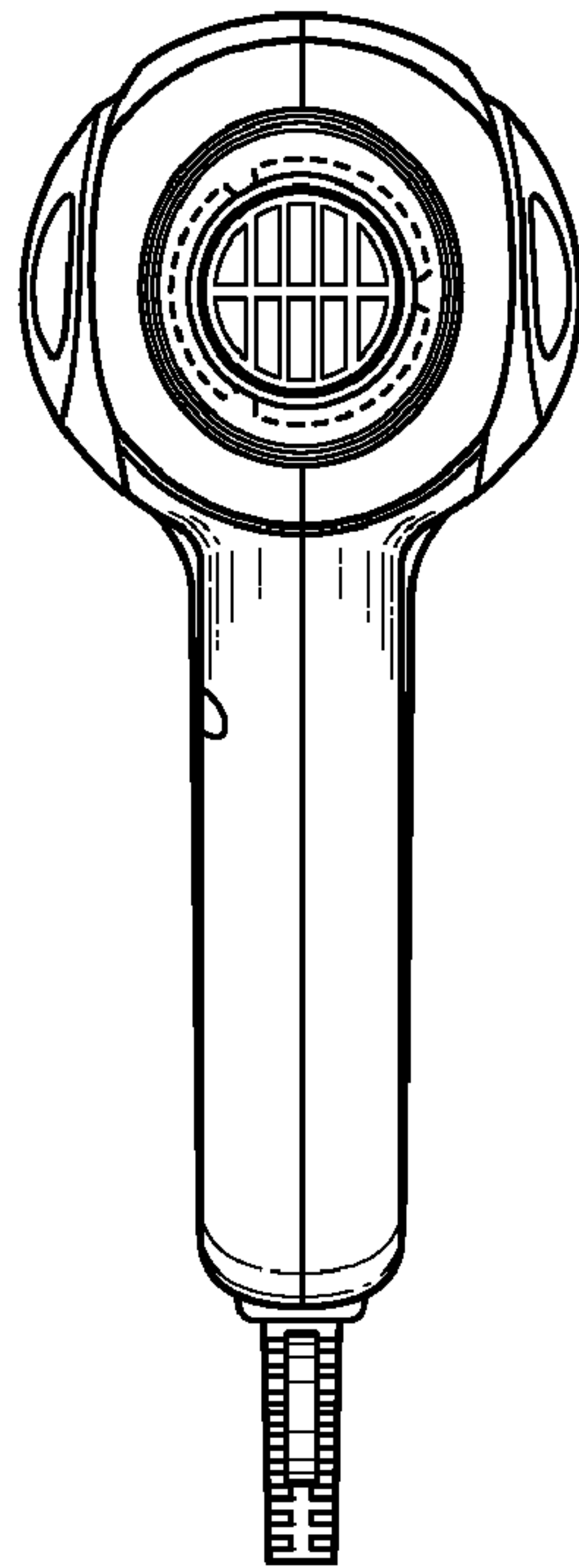


Fig. 3

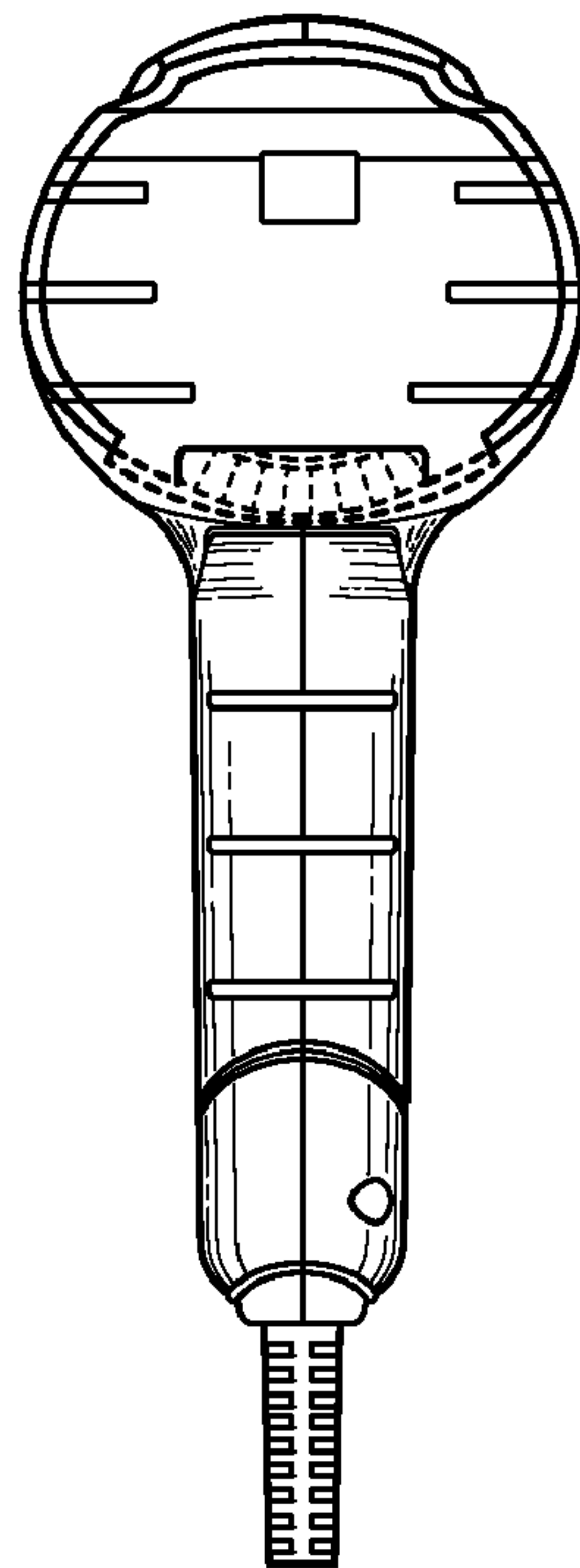


Fig. 4

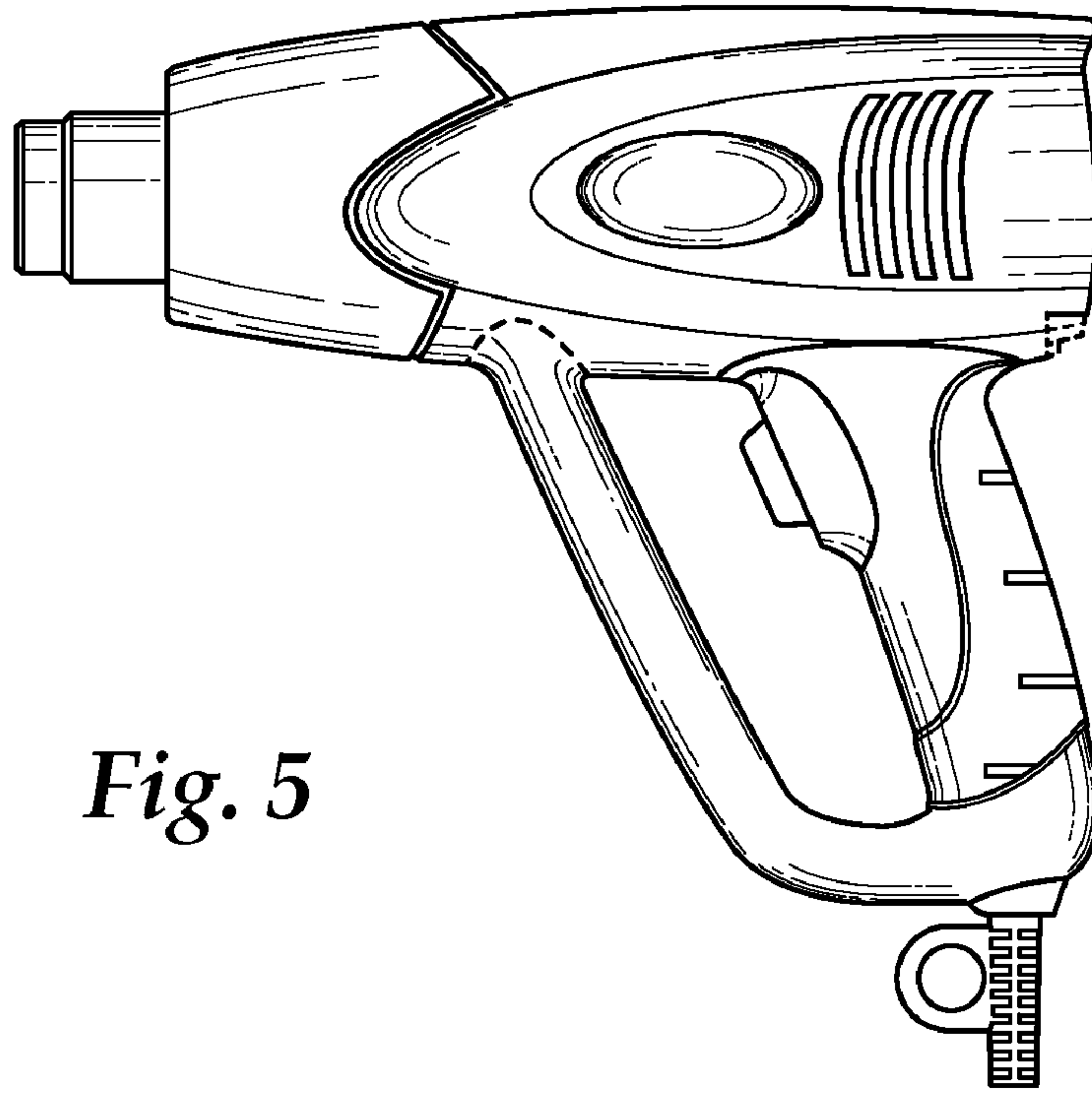


Fig. 5

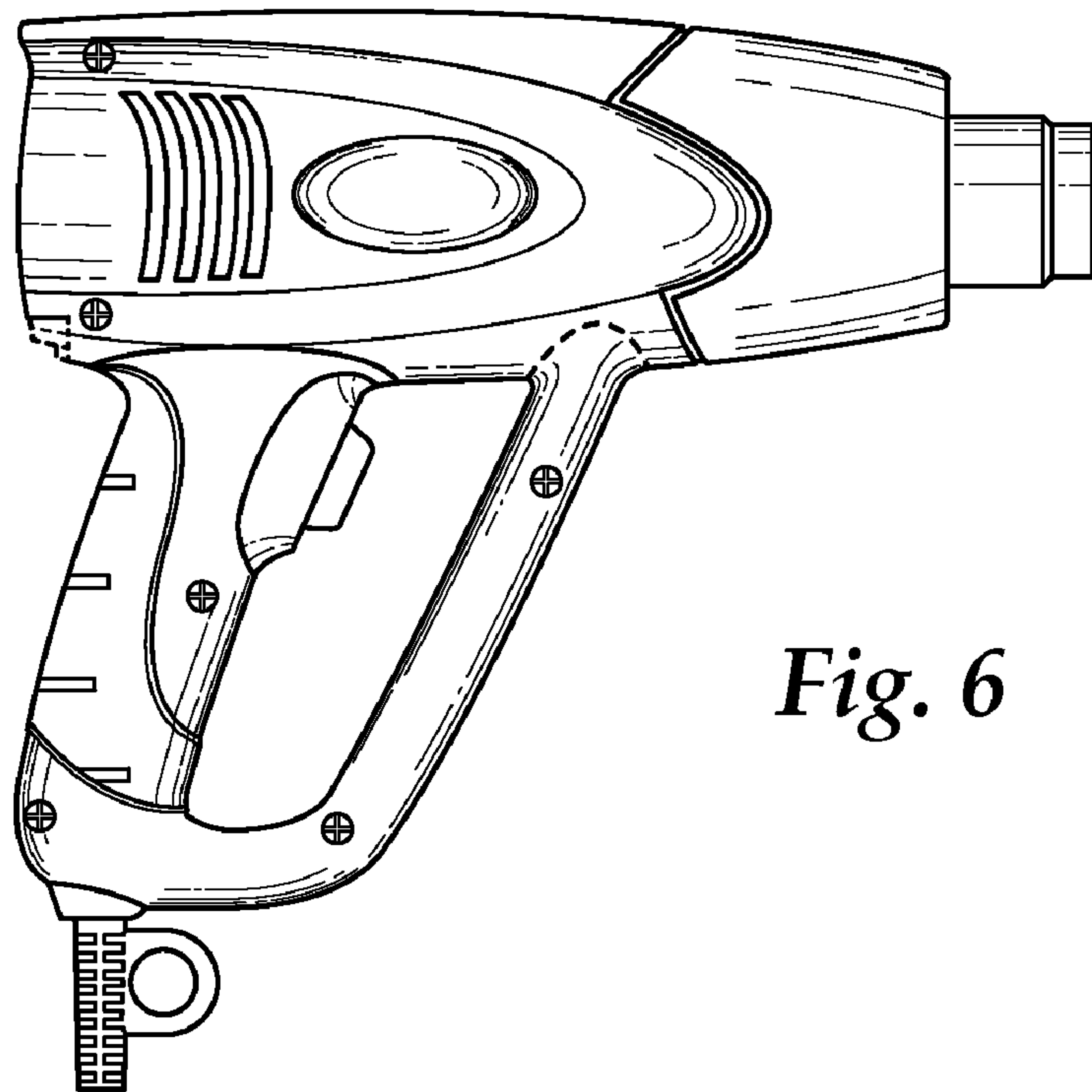


Fig. 6