

US00D679557S

(12) **United States Design Patent**
Wardell

(10) **Patent No.:** **US D679,557 S**

(45) **Date of Patent:** **** Apr. 9, 2013**

(54) **CUTTING BOARD**

(76) **Inventor:** **Lawrence Wardell**, Salt Lake City, UT
(US)

(**) **Term:** **14 Years**

(21) **Appl. No.:** **29/374,592**

(22) **Filed:** **Sep. 6, 2011**

(51) **LOC (9) Cl.** **07-04**

(52) **U.S. Cl.**
USPC **D7/698; D7/699**

(58) **Field of Classification Search** D7/354,
D7/359-360, 368, 392.1, 396.1, 409, 412,
D7/505, 549, 550.1, 552.1-552.2, 553.1,
D7/553.5, 553.8, 554.3-554.4, 555, 586,
D7/637, 673, 698-699; 30/124; 83/459;
99/324, 357, 449-450; 241/273.2; 269/13-16,
269/289 R, 302.1, 575

See application file for complete search history.

(56) **References Cited**

U.S. PATENT DOCUMENTS

3,955,278	A *	5/1976	Popeil	30/124
4,243,184	A *	1/1981	Wright	241/273.2
5,121,909	A *	6/1992	Stickel, III	269/289 R
D337,024	S *	7/1993	Stickel, III	D7/549
D367,407	S *	2/1996	Clark	D7/698
D383,042	S *	9/1997	Lach	D7/698
D449,766	S *	10/2001	Wong	D7/698
6,536,753	B1 *	3/2003	Keener	269/13

6,722,241	B1 *	4/2004	Anayas	83/459
D583,199	S *	12/2008	Johnson et al.	D7/698
2010/0314814	A1 *	12/2010	Zeitlin	269/14

* cited by examiner

Primary Examiner — Ricky Pham

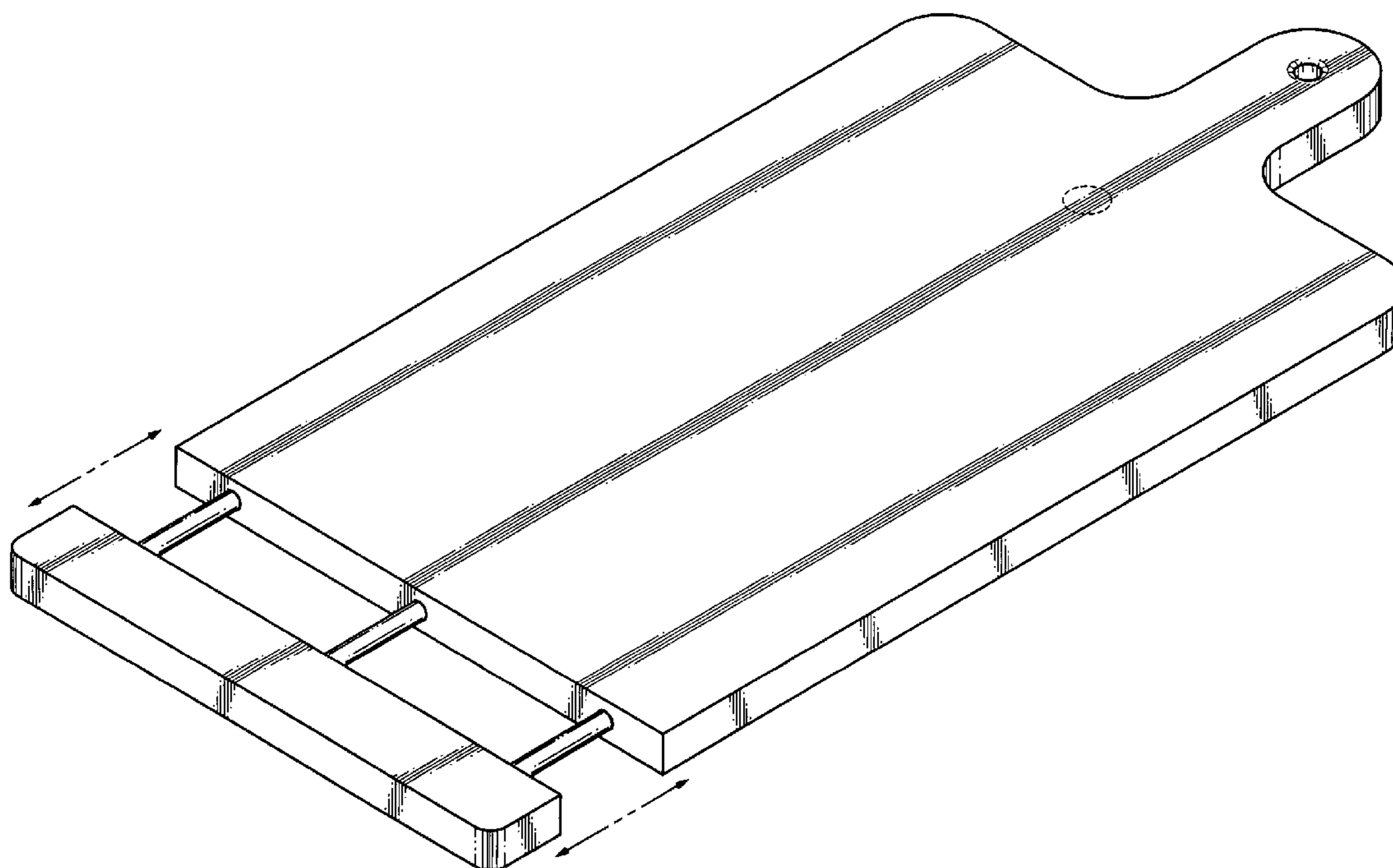
(57) **CLAIM**

The ornamental design for a cutting board, as shown and described.

DESCRIPTION

FIG. 1 is a perspective view of the cutting board showing my new design;
 FIG. 2 is a another perspective view thereof, shown with one end of the cutting board having an extendable portion pulled out of a body portion for completeness of illustration;
 FIG. 3 is a bottom perspective view thereof;
 FIG. 4 is another bottom perspective view thereof, shown with the extendable portion pulled out of the body portion for completeness of illustration;
 FIG. 5 is a top plan view thereof;
 FIG. 6 is a side elevation view thereof, the opposite side being a mirror image thereof;
 FIG. 7 is another top plan view thereof;
 FIG. 8 is an end elevation view thereof; and,
 FIG. 9 is a front elevation view thereof.
 The broken lines shown in the drawings are for illustrative purposes only and form no part of the claimed design.

1 Claim, 6 Drawing Sheets



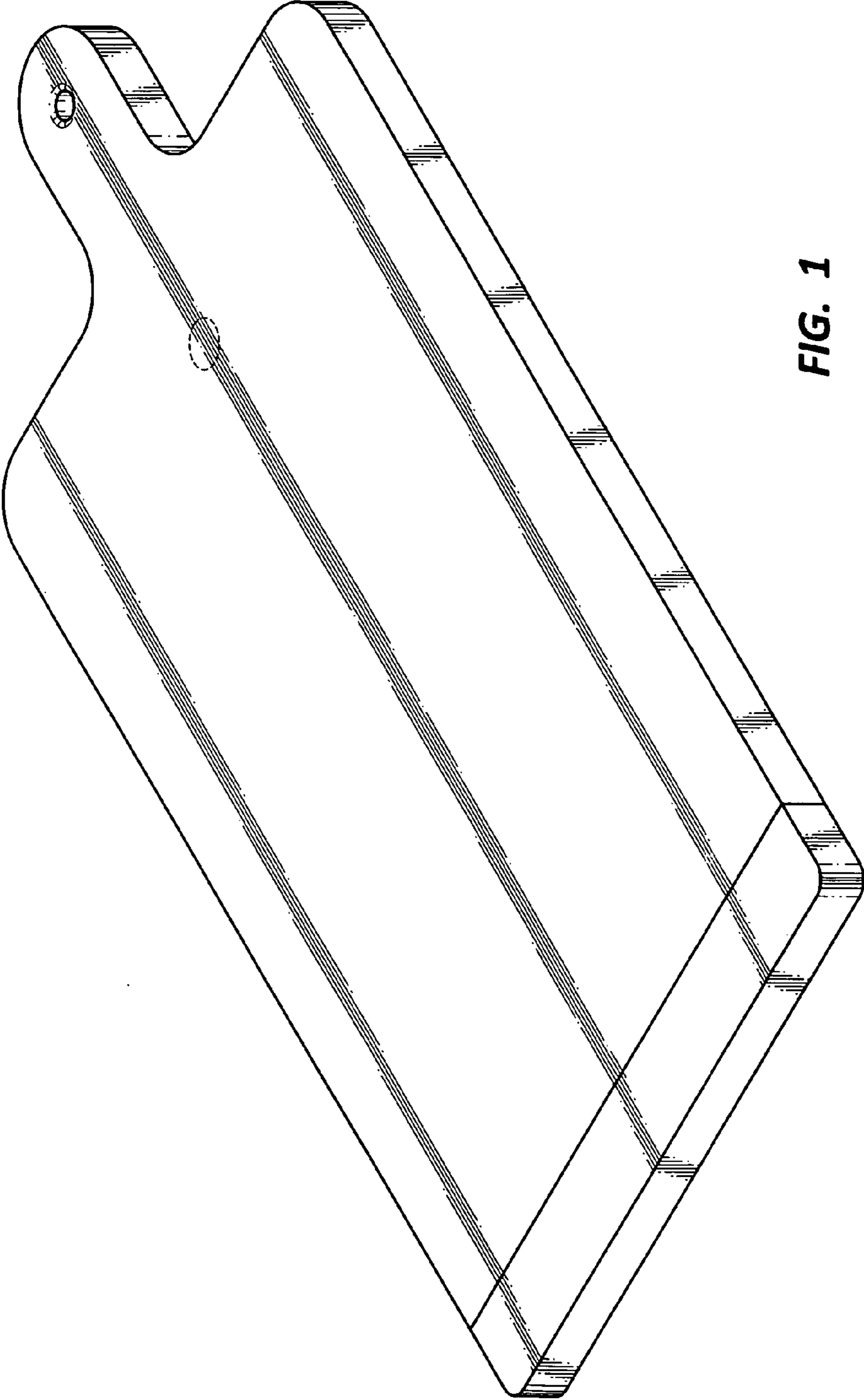


FIG. 1

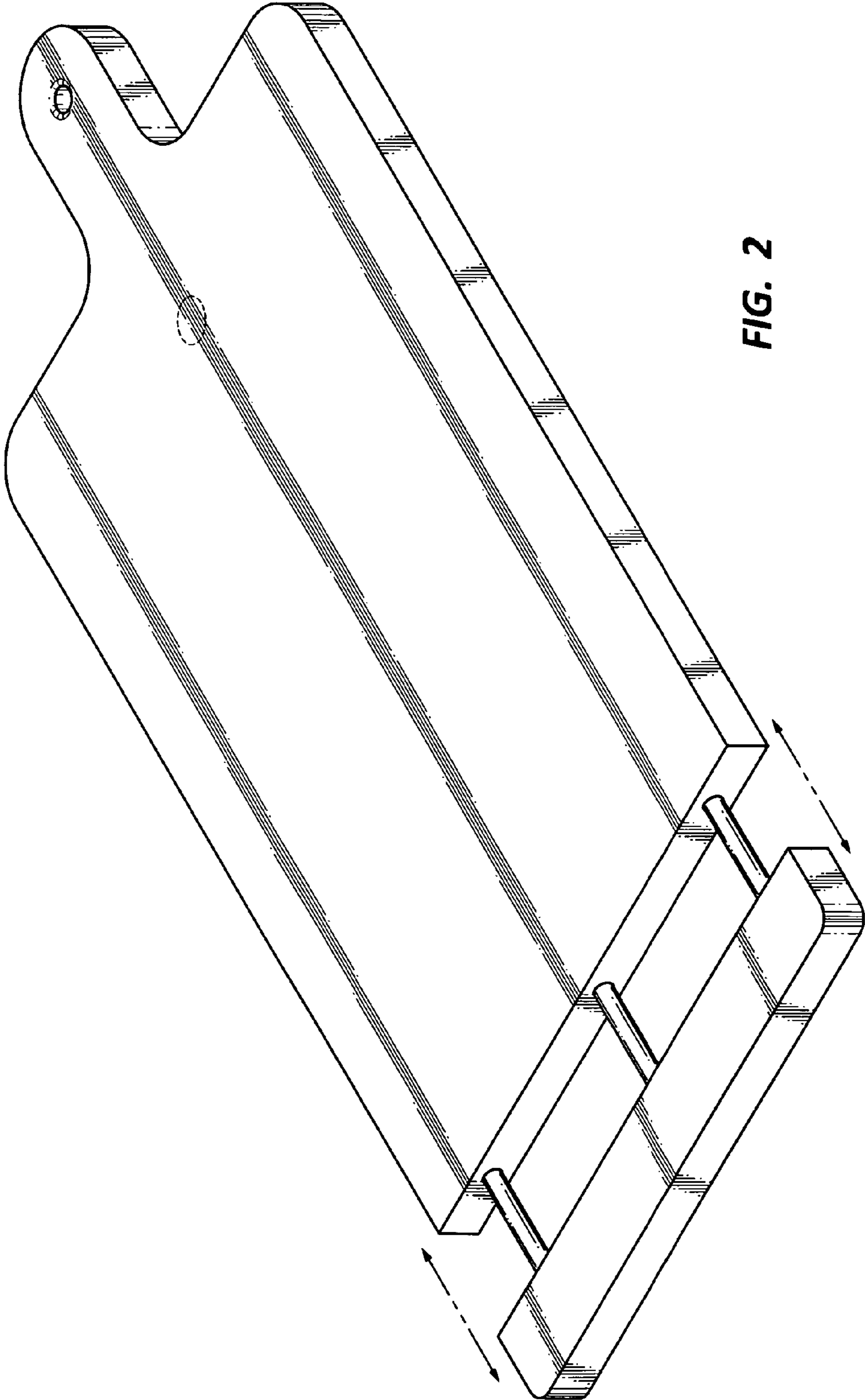


FIG. 2

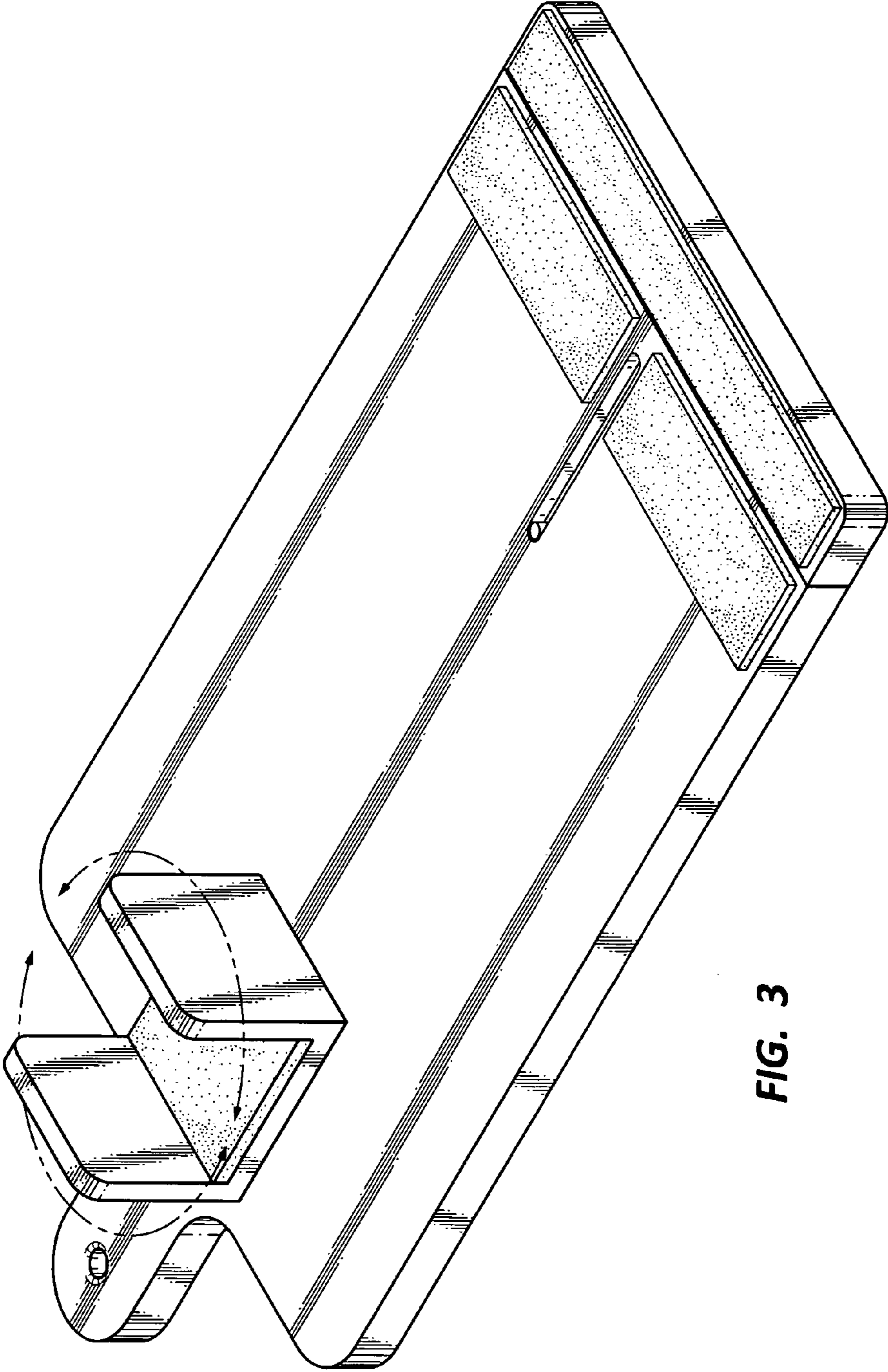


FIG. 3

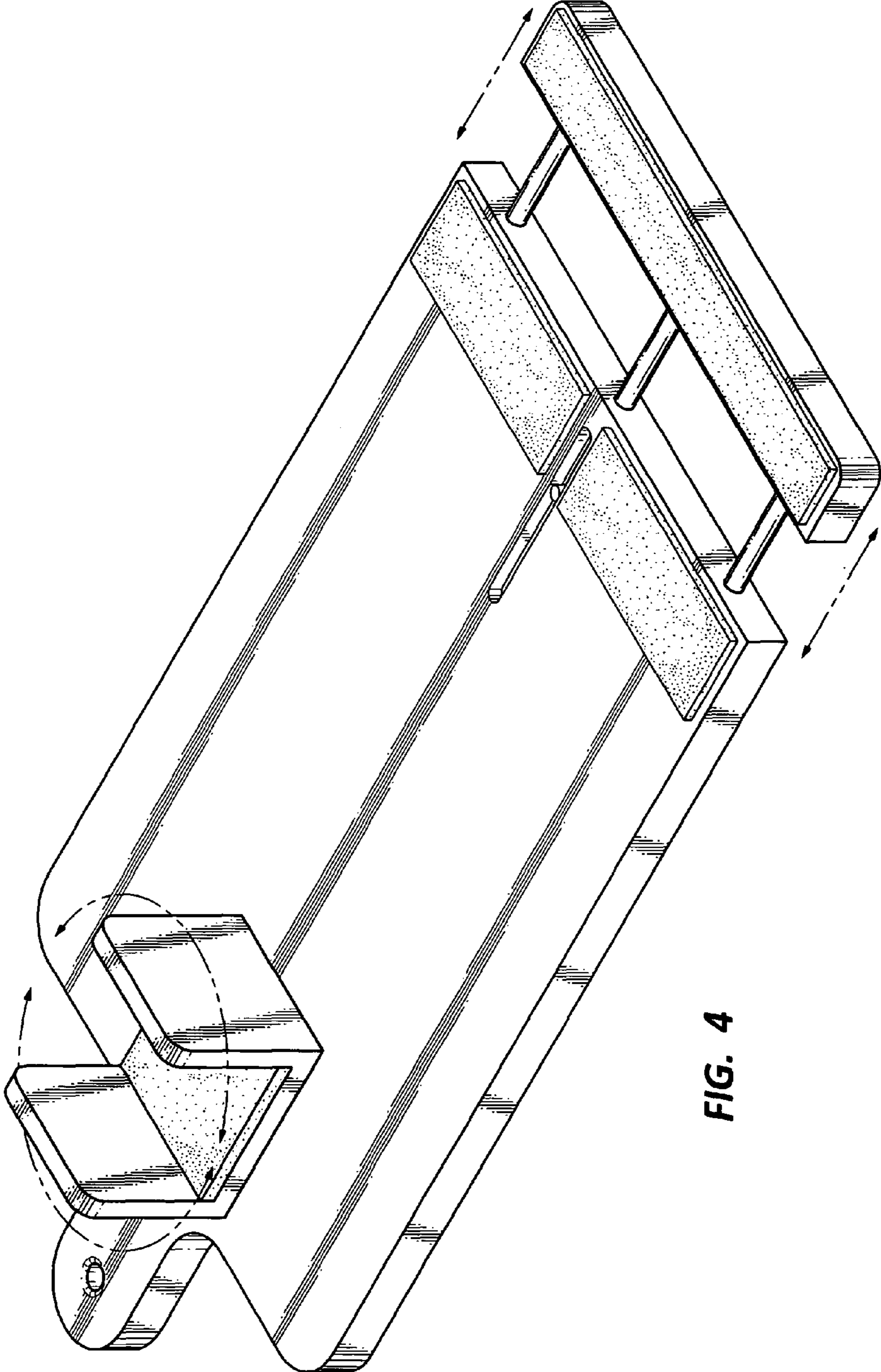


FIG. 4

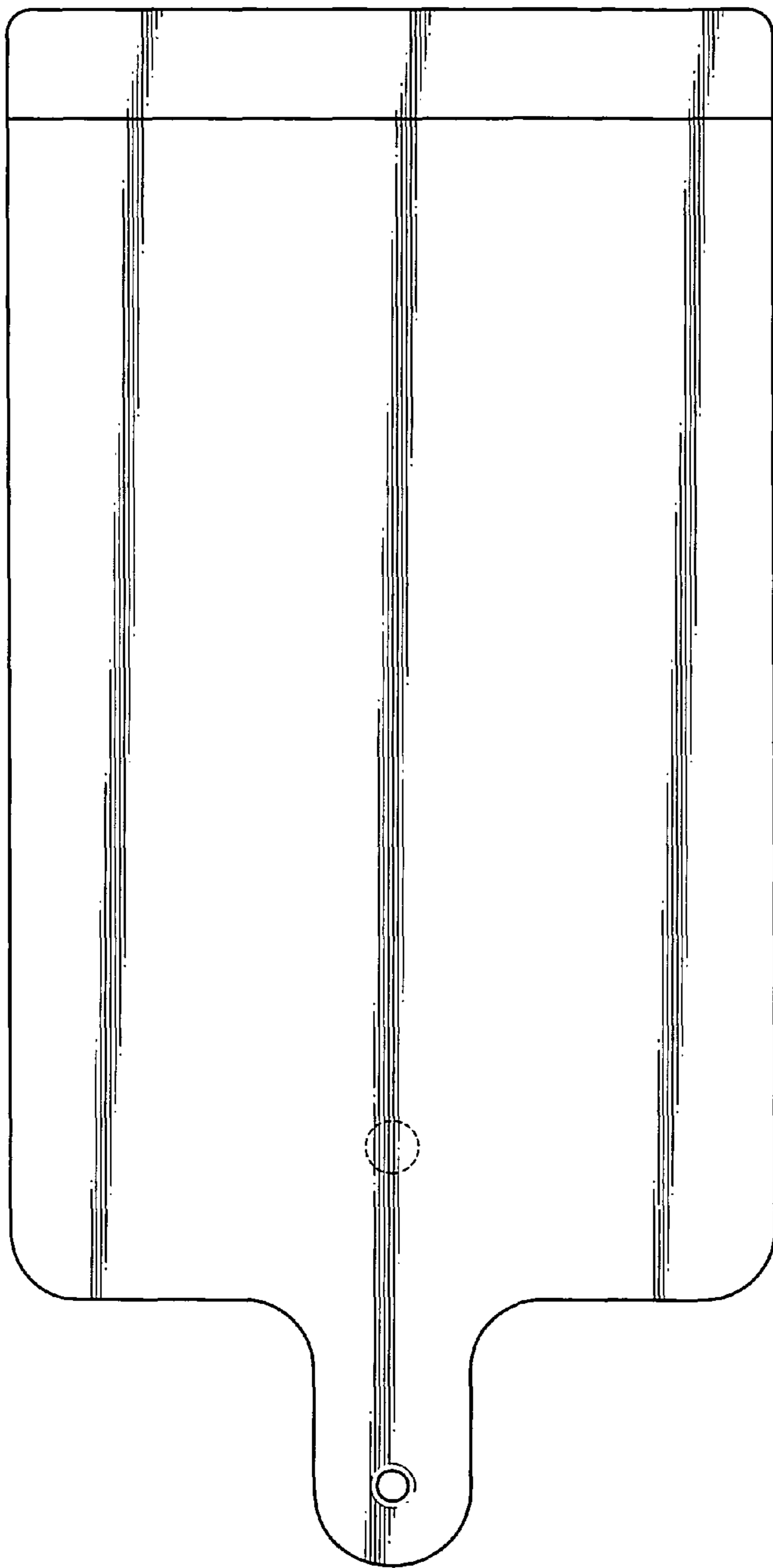


FIG. 5

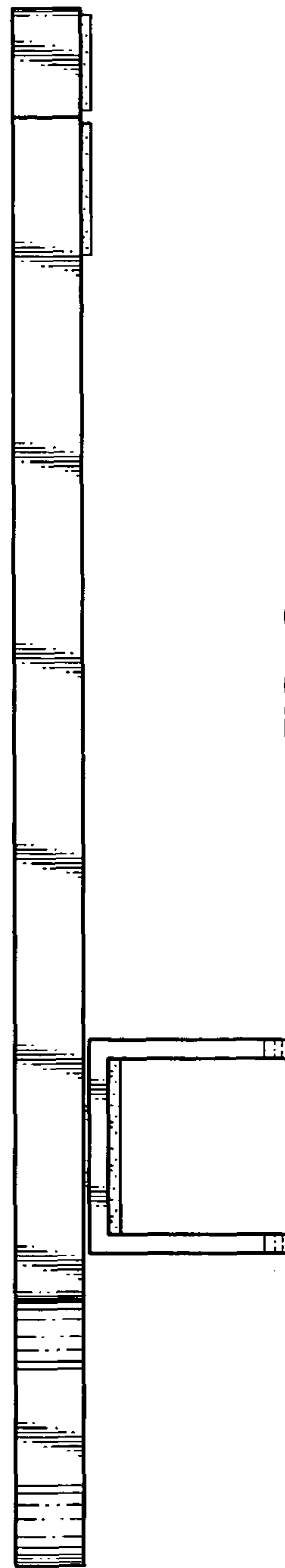


FIG. 6

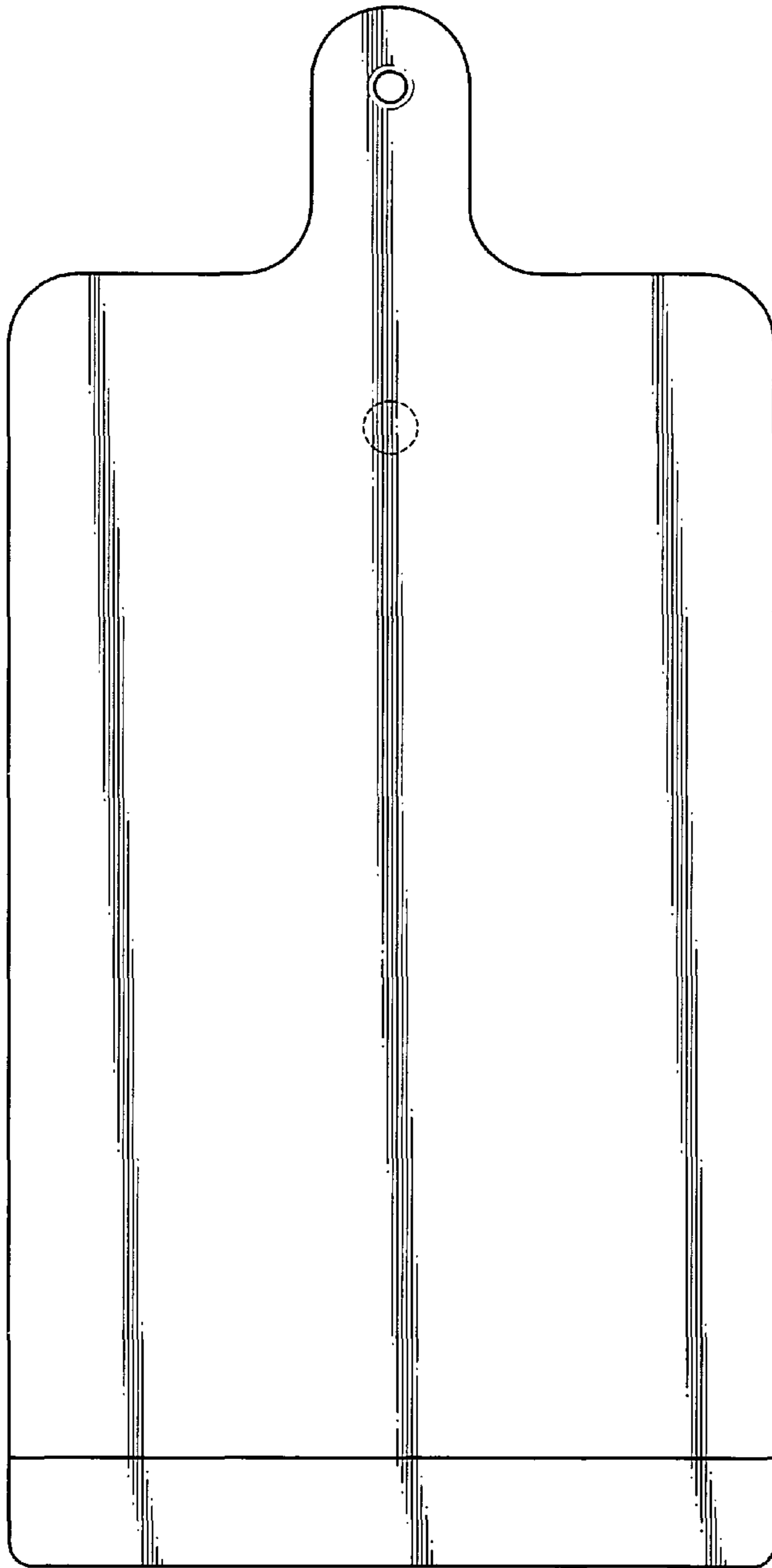


FIG. 7

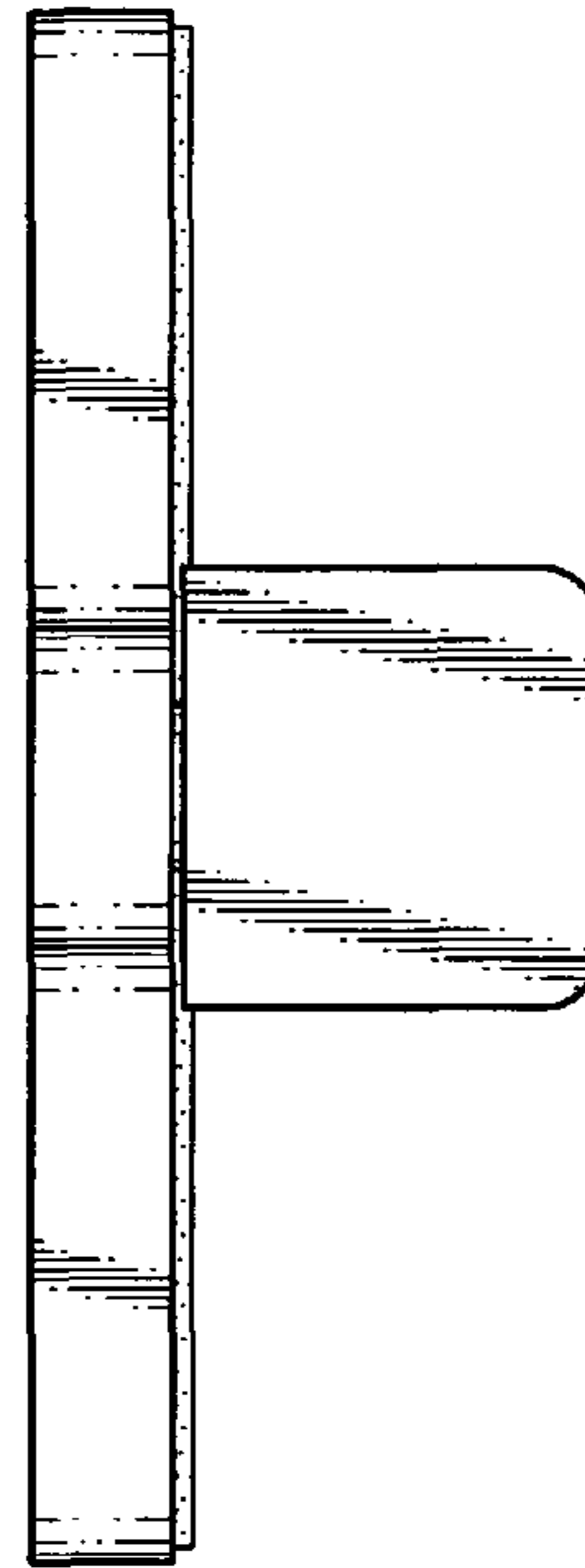


FIG. 9

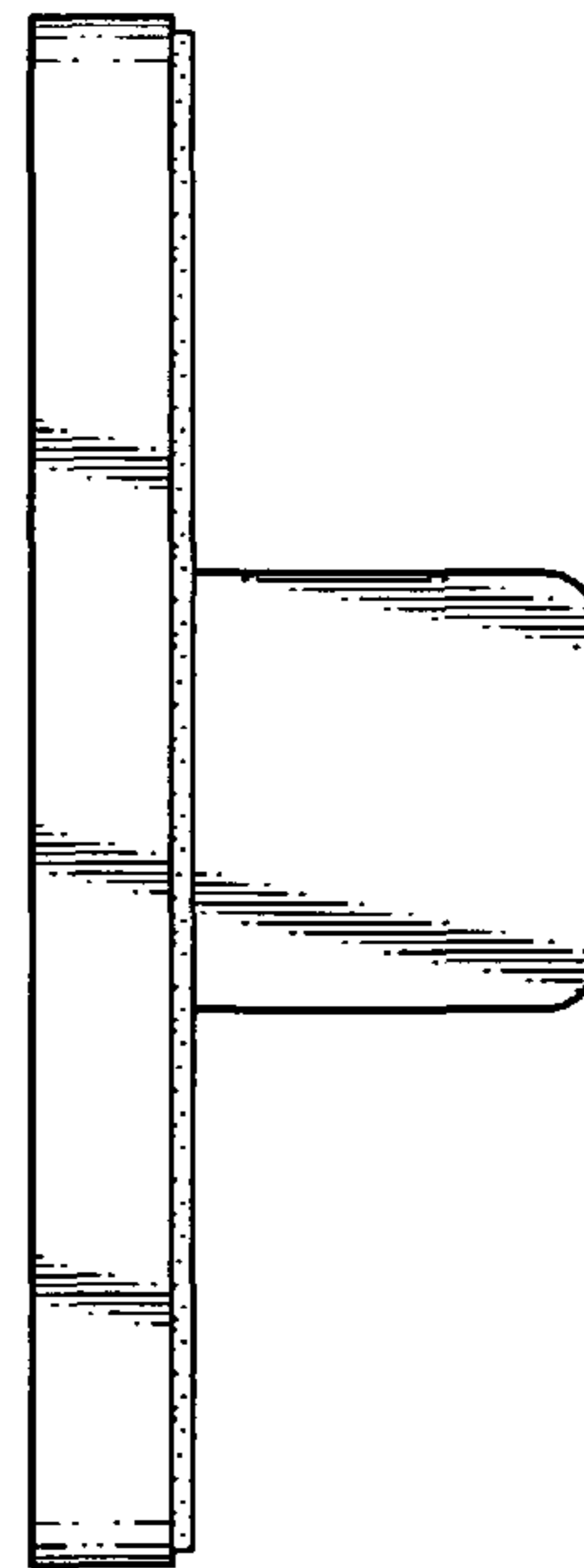


FIG. 8