



US00D679554S

(12) **United States Design Patent**
Molz

(10) **Patent No.:** **US D679,554 S**

(45) **Date of Patent:** **** Apr. 9, 2013**

(54) **REUSABLE INSULATED CUP SLEEVE**

(76) Inventor: **Marcy L. Molz**, Groveland, CA (US)

(**) Term: **14 Years**

(21) Appl. No.: **29/394,137**

(22) Filed: **Jun. 14, 2011**

(51) **LOC (9) Cl.** **07-01**

(52) **U.S. Cl.**
USPC **D7/624.2; D7/607; D9/444**

(58) **Field of Classification Search** D7/605,
D7/607, 608, 624.2, 601, 602, 624.1; D9/444;
D11/164; 62/457.4; 229/403; 220/739;
294/31.2

See application file for complete search history.

(56) **References Cited**

U.S. PATENT DOCUMENTS

3,242,829	A *	3/1966	White	493/276
3,468,467	A *	9/1969	Amberg	229/403
3,908,523	A *	9/1975	Shikaya	493/111
D289,721	S *	5/1987	Havis	D7/622
4,989,418	A *	2/1991	Hewlett	62/457.4
5,256,131	A *	10/1993	Owens et al.	493/374
D365,043	S *	12/1995	Bonds	D11/164
D393,571	S *	4/1998	Gardner	D7/607
5,759,624	A *	6/1998	Neale et al.	427/261
5,952,068	A *	9/1999	Neale et al.	428/36.5
D429,447	S *	8/2000	Prag	D7/607
6,250,545	B1 *	6/2001	Mazzarolo et al.	229/403
D446,423	S *	8/2001	Terra	D7/607
D543,844	S *	6/2007	Cook et al.	D9/444
D547,653	S *	7/2007	Wong	D9/444
D548,077	S *	8/2007	Rocco	D9/444
D587,068	S *	2/2009	Rocco	D7/507
7,922,031	B1 *	4/2011	Prince	220/739
7,922,071	B2 *	4/2011	Robertson et al.	229/403
D643,693	S *	8/2011	Jama	D7/624.2
8,056,757	B2 *	11/2011	Mansour et al.	220/739

2005/0236468	A1 *	10/2005	Sadlier	229/403
2007/0246522	A1 *	10/2007	Geeting	229/403
2008/0280742	A1 *	11/2008	Cerasani	493/55
2009/0183299	A1 *	7/2009	Conway	2/170
2010/0147937	A1 *	6/2010	Reid et al.	229/403
2010/0200647	A1 *	8/2010	Tedford et al.	229/403
2011/0239481	A1 *	10/2011	Ray	34/353
2012/0024875	A1 *	2/2012	Zerda et al.	220/739
2012/0241514	A1 *	9/2012	Guo	229/403

OTHER PUBLICATIONS

Cup couture!, Hostess {with the mostess}, posted Nov. 14, 2006, [online]. [site visited Nov. 16, 2012]. Available from Internet, <URL: <http://blog.hwtm.com/2006/11/cup-couture/>>.*

* cited by examiner

Primary Examiner — Jeffrey D Asch

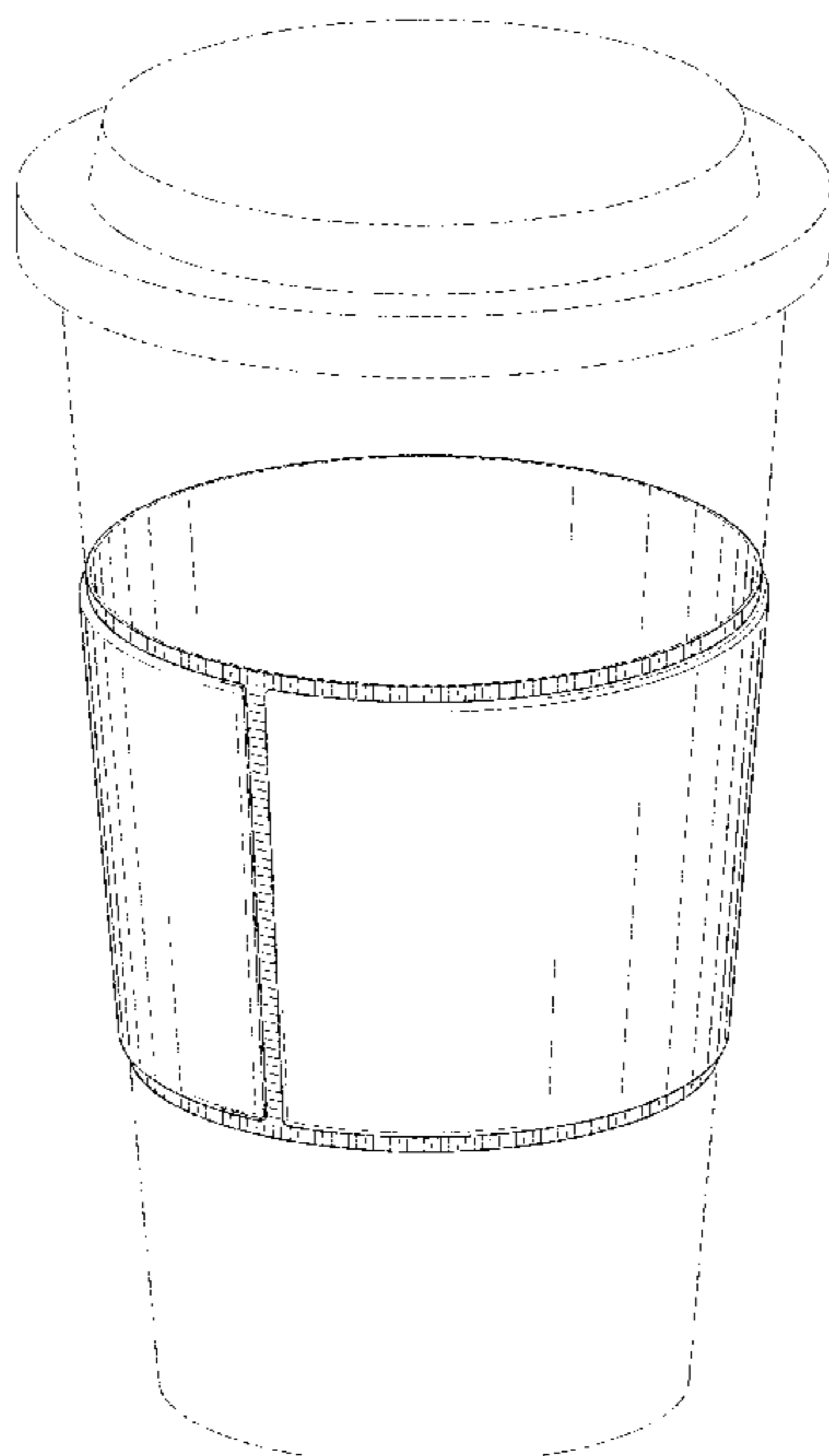
(57) **CLAIM**

The ornamental design for “reusable insulated cup sleeve,” as shown and described.

DESCRIPTION

FIG. 1 is a view of the sleeve in use on a cup.
FIG. 2 is a front view of the folded sleeve, the back side being a mirror image.
FIG. 3 is a right side view of the folded sleeve, the left side being a mirror image.
FIG. 4 is a right side view of the sleeve in the open position, the left side being a mirror image.
FIG. 5 is a front view of the sleeve in the open position, the back side being a mirror image.
FIG. 6 is a top view of the sleeve in the open position; and,
FIG. 7 is a bottom view of the sleeve in the open position.
The broken lines showing a cup in FIG. 1 are for illustrative purposes only and form no part of the claimed design.

1 Claim, 4 Drawing Sheets



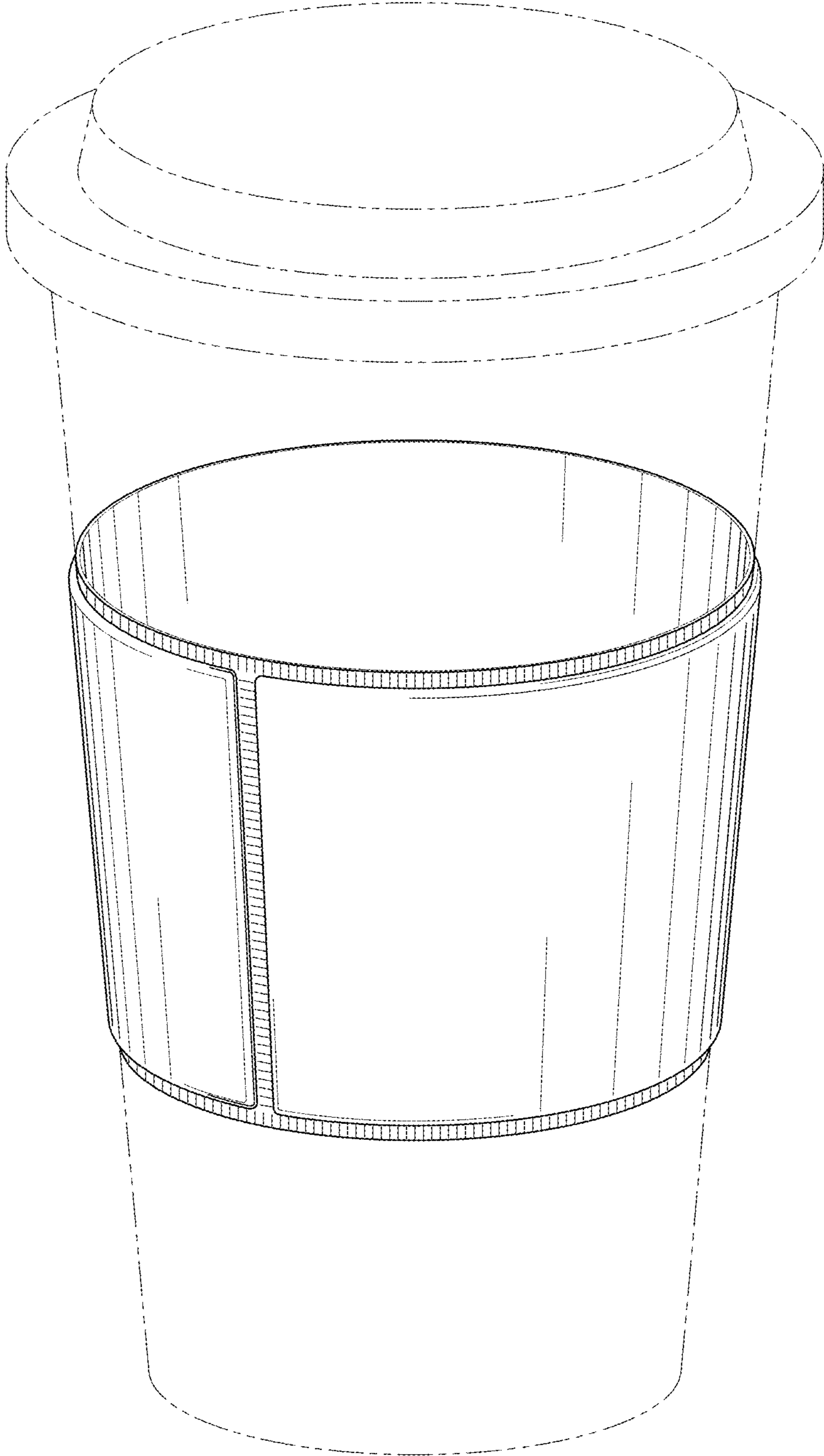


Figure 1



Figure 3

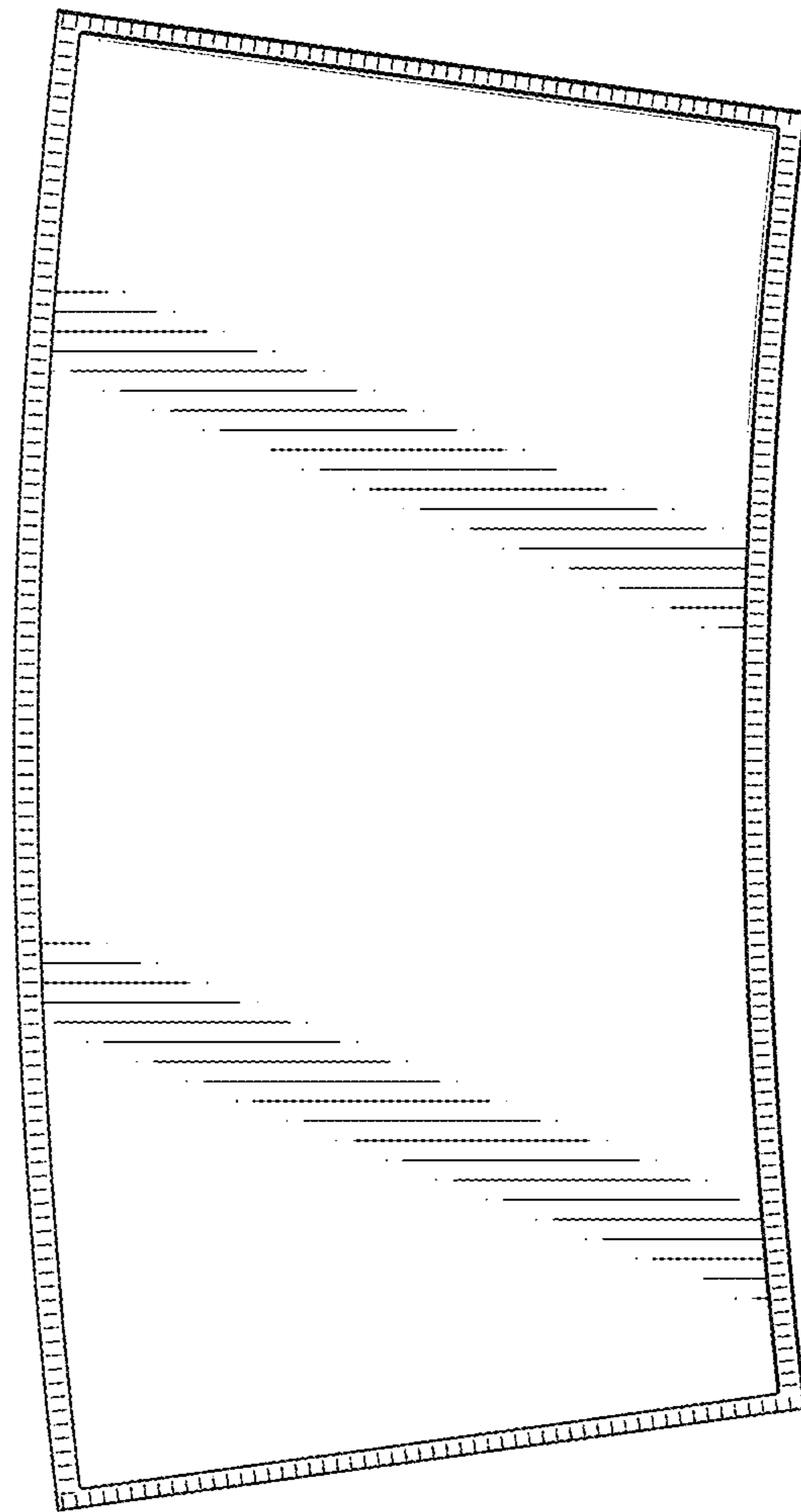


Figure 2

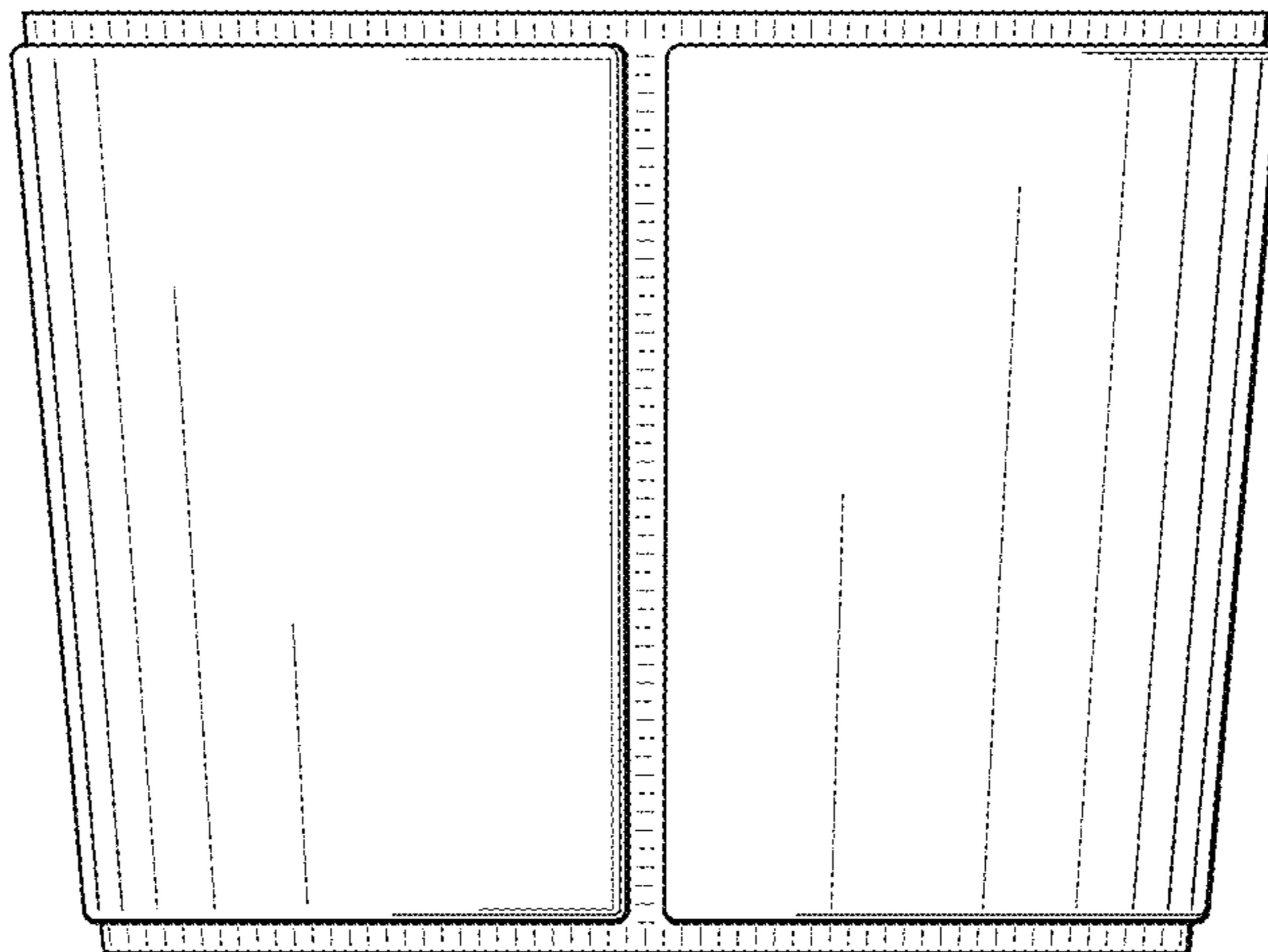


Figure 4

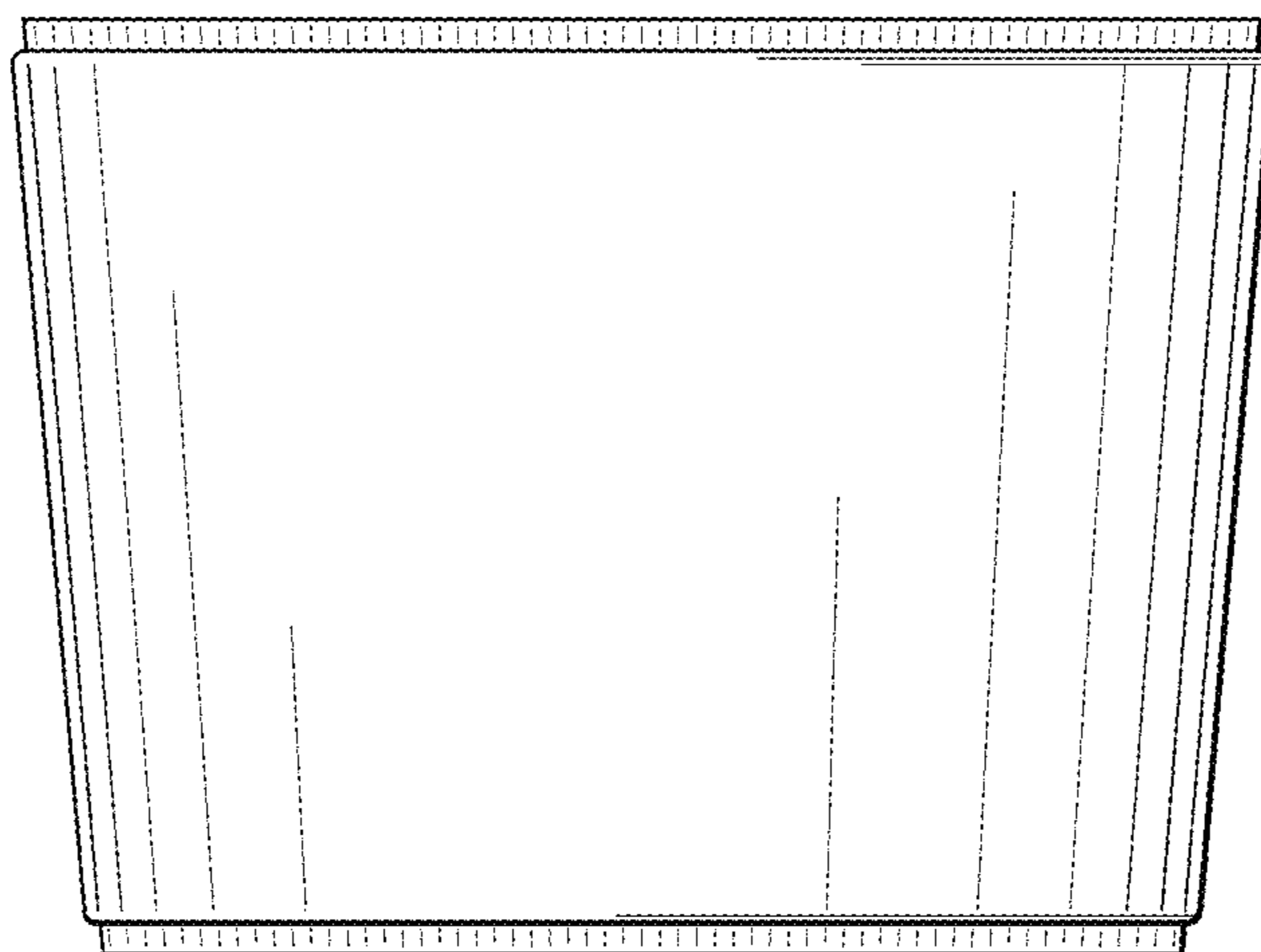


Figure 5

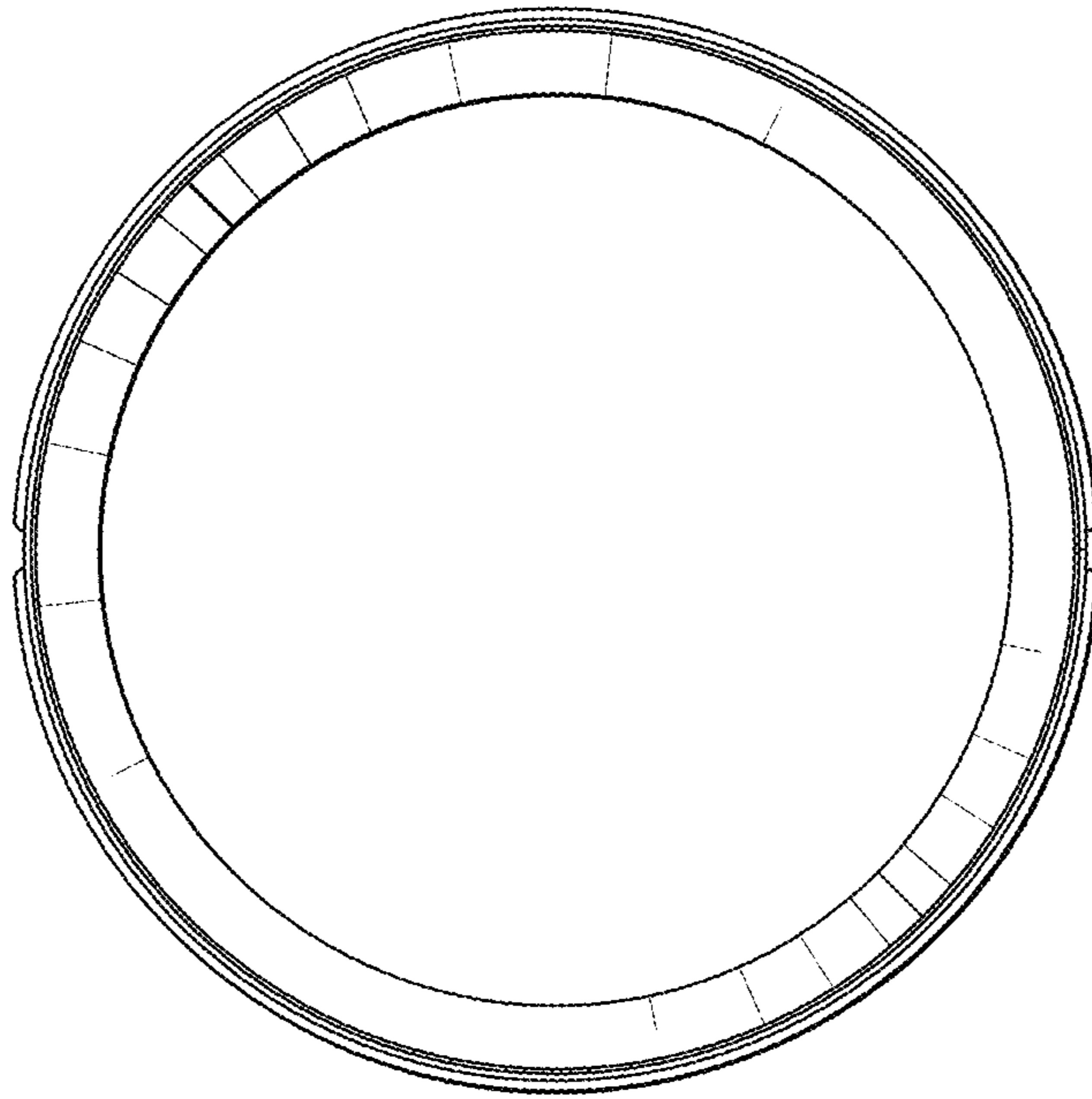


Figure 6

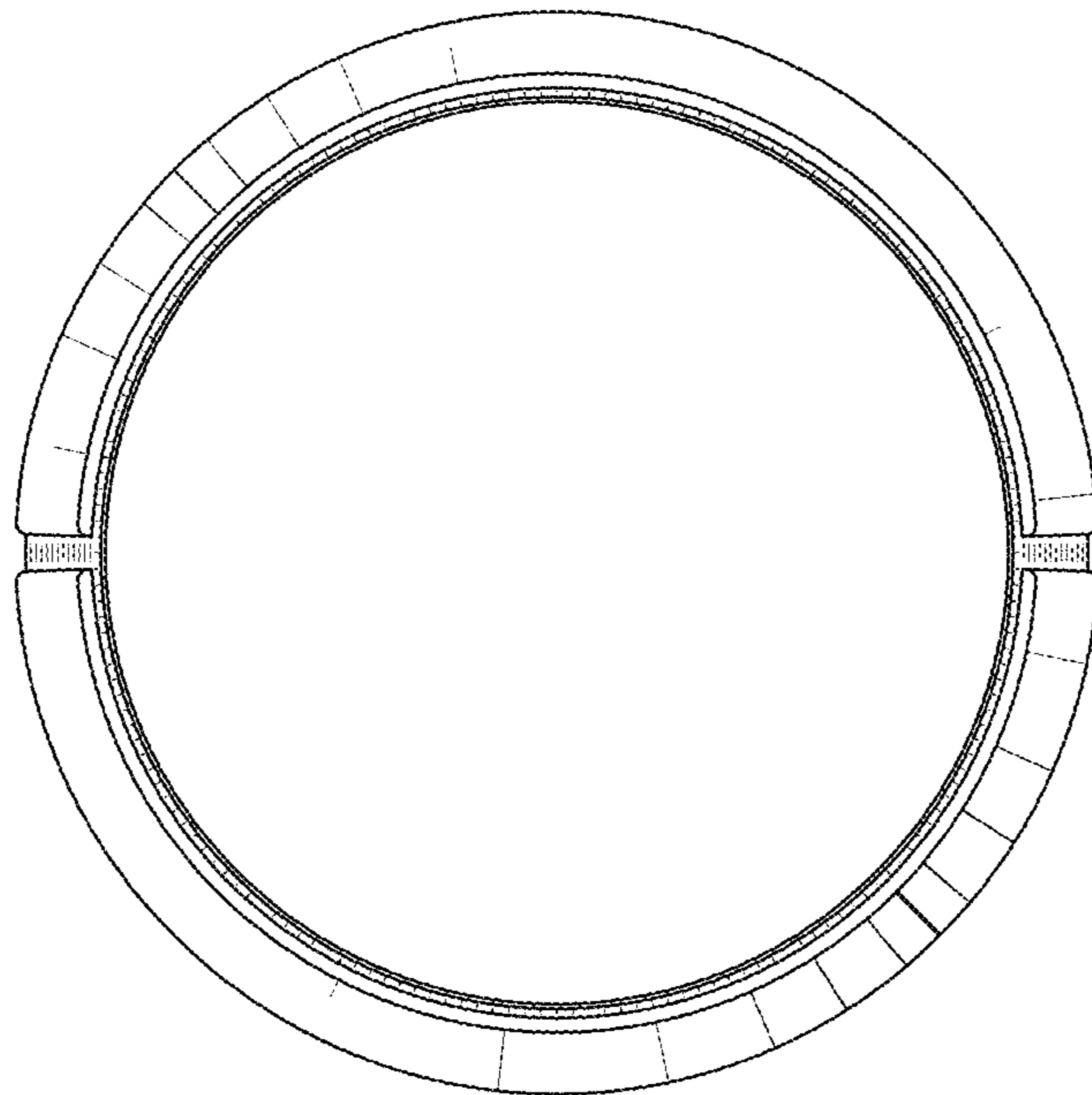


Figure 7