



US00D679553S

(12) **United States Design Patent**  
**Williams et al.**

(10) **Patent No.:** **US D679,553 S**  
(45) **Date of Patent:** **\*\* Apr. 9, 2013**

(54) **CUP HOLDER**

(76) Inventors: **John R Williams**, Fayetteville, GA  
(US); **Ryan Scott Housley**, Tyrone, GA  
(US)

(\*\*) Term: **14 Years**

(21) Appl. No.: **29/394,456**

(22) Filed: **Jun. 16, 2011**

(51) **LOC (9) Cl.** ..... **07-06**

(52) **U.S. Cl.** ..... **D7/619.1; D7/624.1**

(58) **Field of Classification Search** ..... D7/619.1,  
D7/619.2, 605, 608, 624.2, 601, 602, 624.1;  
D9/444, 455; D11/164, 152, 155; 62/457.4;  
119/61.5; 220/739; 248/310, 346.11, 152,  
248/146; D30/129; D27/133; D32/54; D26/9,  
D26/23

See application file for complete search history.

(56) **References Cited**

U.S. PATENT DOCUMENTS

303,833	A *	8/1884	Gerard	.....	248/152
558,433	A *	4/1896	Stoddard	.....	248/152
D44,170	S *	6/1913	Guenther	.....	D26/23
2,063,328	A *	12/1936	Morcom	.....	248/152
2,784,577	A *	3/1957	Beaham	.....	248/146
D230,524	S *	2/1974	Pace	.....	D27/133
D257,494	S *	11/1980	Imhoff	.....	D30/129
D287,920	S *	1/1987	Lanier	.....	D7/624.2
4,726,553	A *	2/1988	Wischusen, III	.....	248/146
D311,477	S *	10/1990	Fallgatter et al.	.....	D7/619.1
5,143,247	A	9/1992	Gavle		
D330,816	S *	11/1992	Phillips	.....	D6/457
D337,027	S	7/1993	Malatok		
5,474,206	A	12/1995	Herring, Sr.		
D383,225	S *	9/1997	Wolfard et al.	.....	D26/23
D383,271	S *	9/1997	Eshelman	.....	D32/54
D407,951	S	4/1999	Philipson et al.		
D412,605	S *	8/1999	Sharon	.....	D30/129
D416,764	S	11/1999	Gagne		
5,992,662	A	11/1999	Holt et al.		
D419,129	S	1/2000	Kilderry et al.		
D426,752	S	6/2000	Whaley		
D448,978	S	10/2001	Isbell		
D454,283	S	3/2002	Kilgore		
6,364,151	B1	4/2002	Gale		
6,571,976	B1 *	6/2003	Sonnabend	.....	220/483
D515,877	S	2/2006	Czepowicz et al.		

D515,878	S	2/2006	Czepowicz et al.		
D526,537	S *	8/2006	Rosenberg et al.	.....	D7/619.1
7,216,837	B2 *	5/2007	Pineda	.....	248/104
D590,109	S *	4/2009	Anderson et al.	.....	D30/129
D593,270	S *	5/2009	Taylor	.....	D32/54
7,556,230	B2 *	7/2009	Sarullo	.....	248/311.2
7,628,290	B2	12/2009	Dagdagan		
D625,885	S *	10/2010	Bianchi	.....	D30/129
8,087,528	B1 *	1/2012	Scarlett et al.	.....	220/23.89
D653,914	S *	2/2012	Lutz	.....	D7/624.1
D655,054	S *	2/2012	Lipscomb et al.	.....	D30/129
2005/0039689	A1 *	2/2005	Mossmar	.....	119/61.5
2006/0113200	A1 *	6/2006	Abkarian et al.	.....	206/217
2010/0275852	A1 *	11/2010	Lipscomb et al.	.....	119/61.5

OTHER PUBLICATIONS

Turtlebacks, Turtlebacks Facebook page, posted Jun. 22, 2011, [online], [site visited Nov. 16, 2012]. Available from Internet, <URL: <http://www.facebook.com/turtlebacks#!/photo.php?fbid=132517210162620&set=a.132517123495962.35781.132516103496064&type=1&theater>>.\*

\* cited by examiner

*Primary Examiner* — Jeffrey D Asch

(74) *Attorney, Agent, or Firm* — Eric W. Cernyar, P.C.

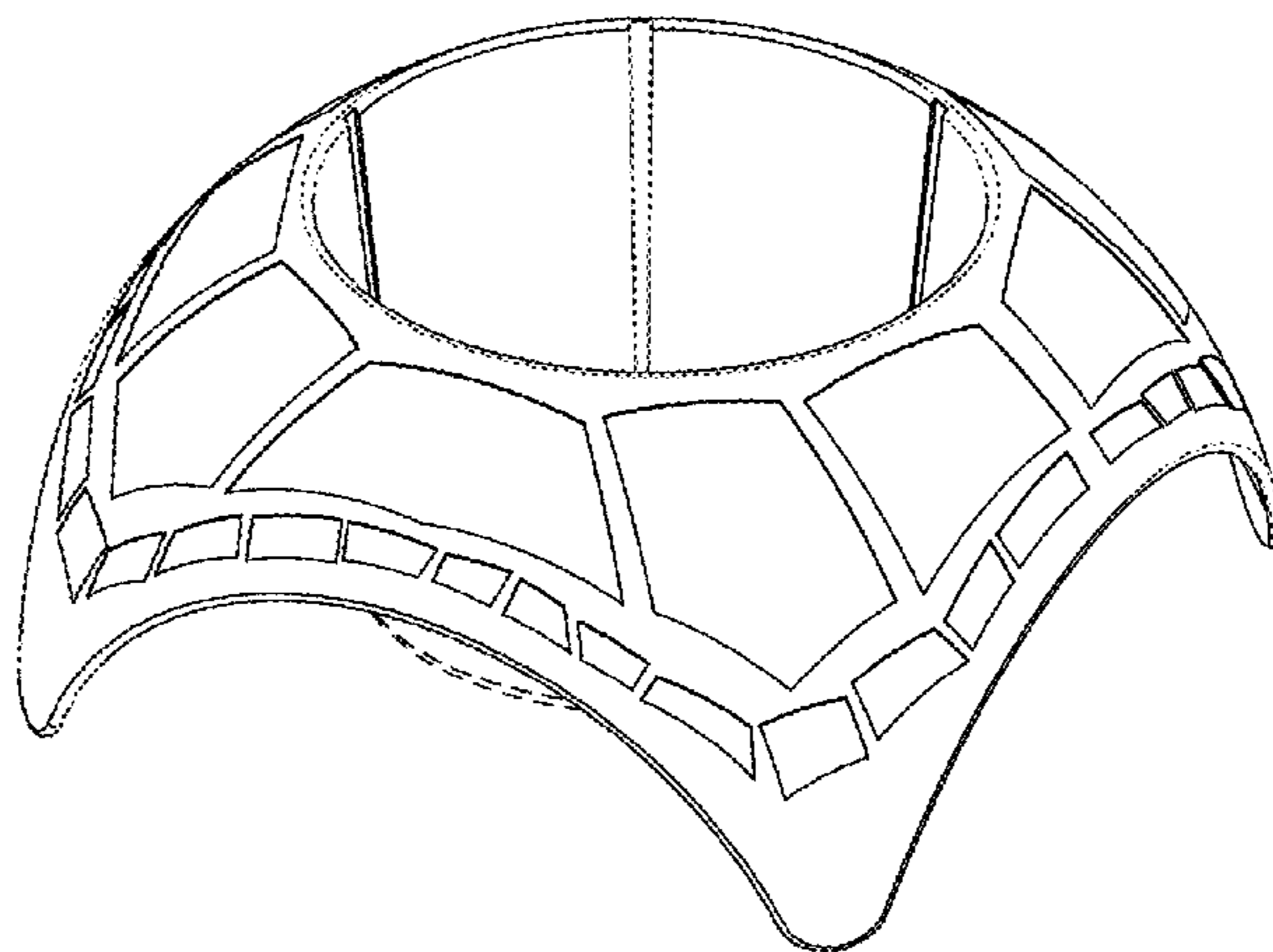
(57) **CLAIM**

The ornamental design for a cup holder, as shown.

**DESCRIPTION**

FIG. 1 is a perspective view from the front and top of an ornamental design for a cup holder.  
FIG. 2 is a top plan view of FIG. 1.  
FIG. 3 is a bottom plan view of FIG. 1.  
FIG. 4 is a front elevational view of FIG. 1.  
FIG. 5 is a right side elevational view of FIG. 1.  
FIG. 6 is a rear elevational view of the embodiment of FIG. 1; and,  
FIG. 7 is a left side elevational view of FIG. 1.  
The broken lines shown in FIGS. 1-7 that define unshaded regions represent the bounds of the claim, while all other broken lines are directed to environment and are for illustrative purposes only. The broken lines, and the surfaces of the cup holder that include and/or are defined by broken lines, form no part of the claimed design.

**1 Claim, 2 Drawing Sheets**



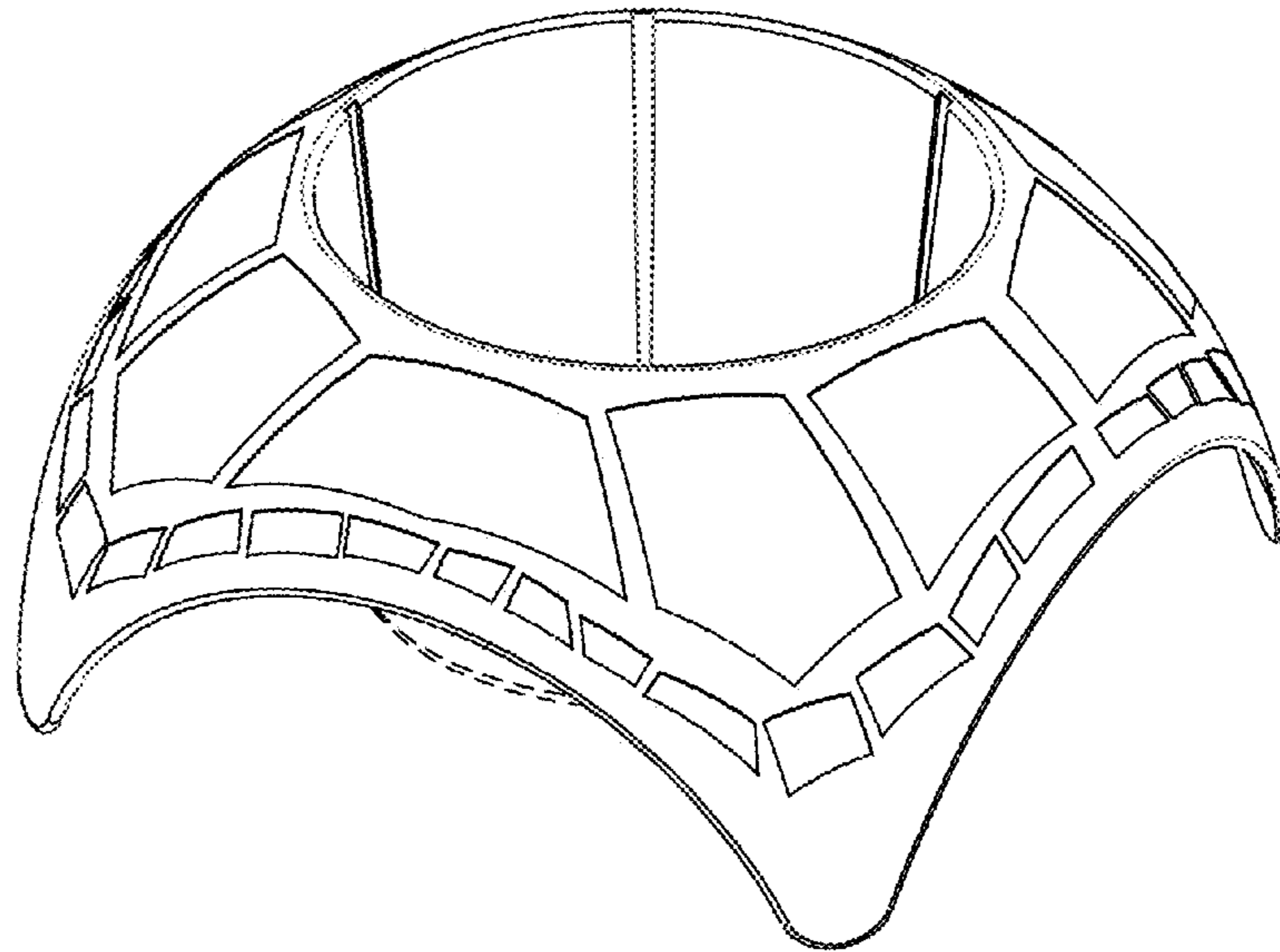


Fig. 1

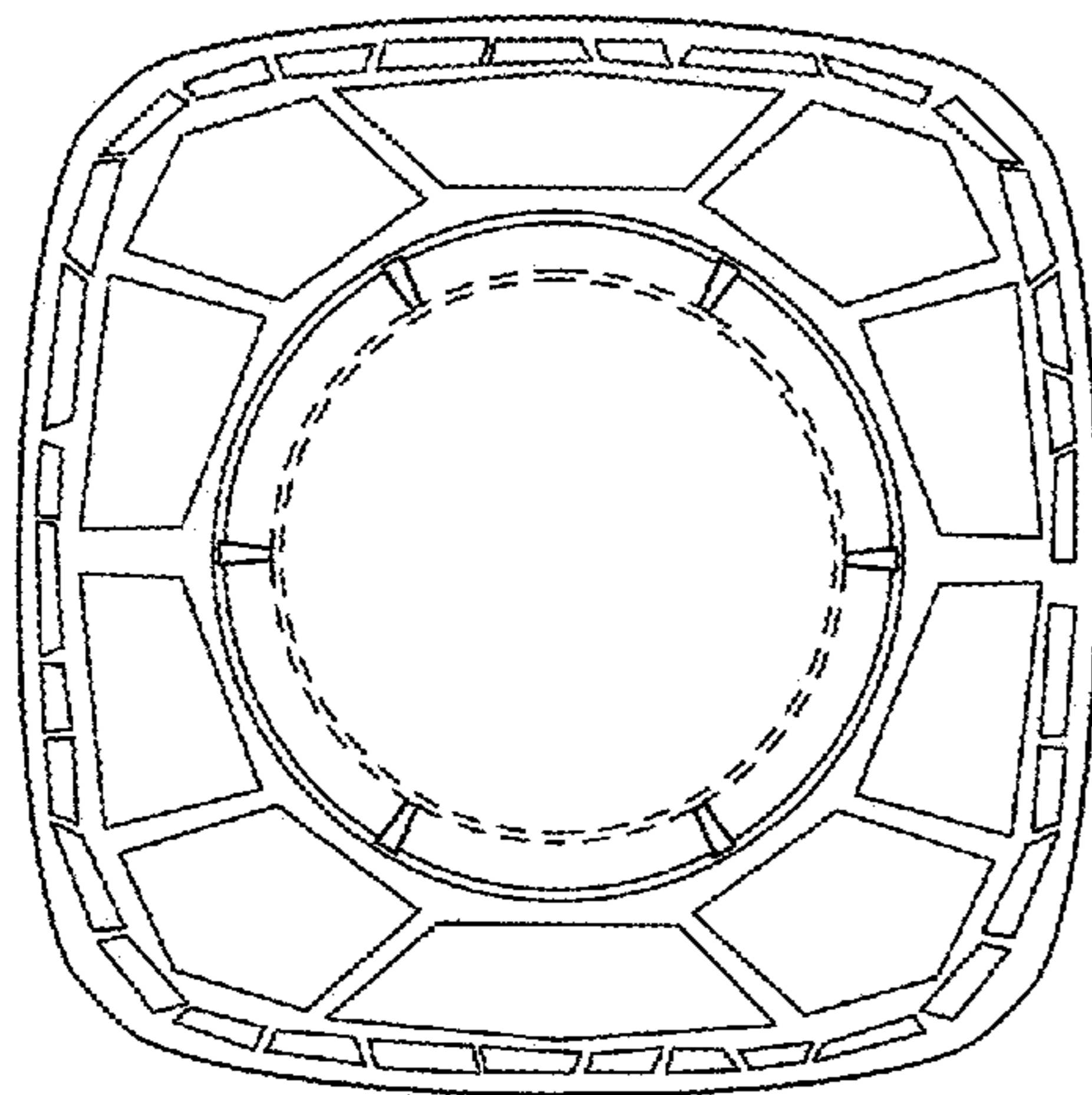


Fig. 2

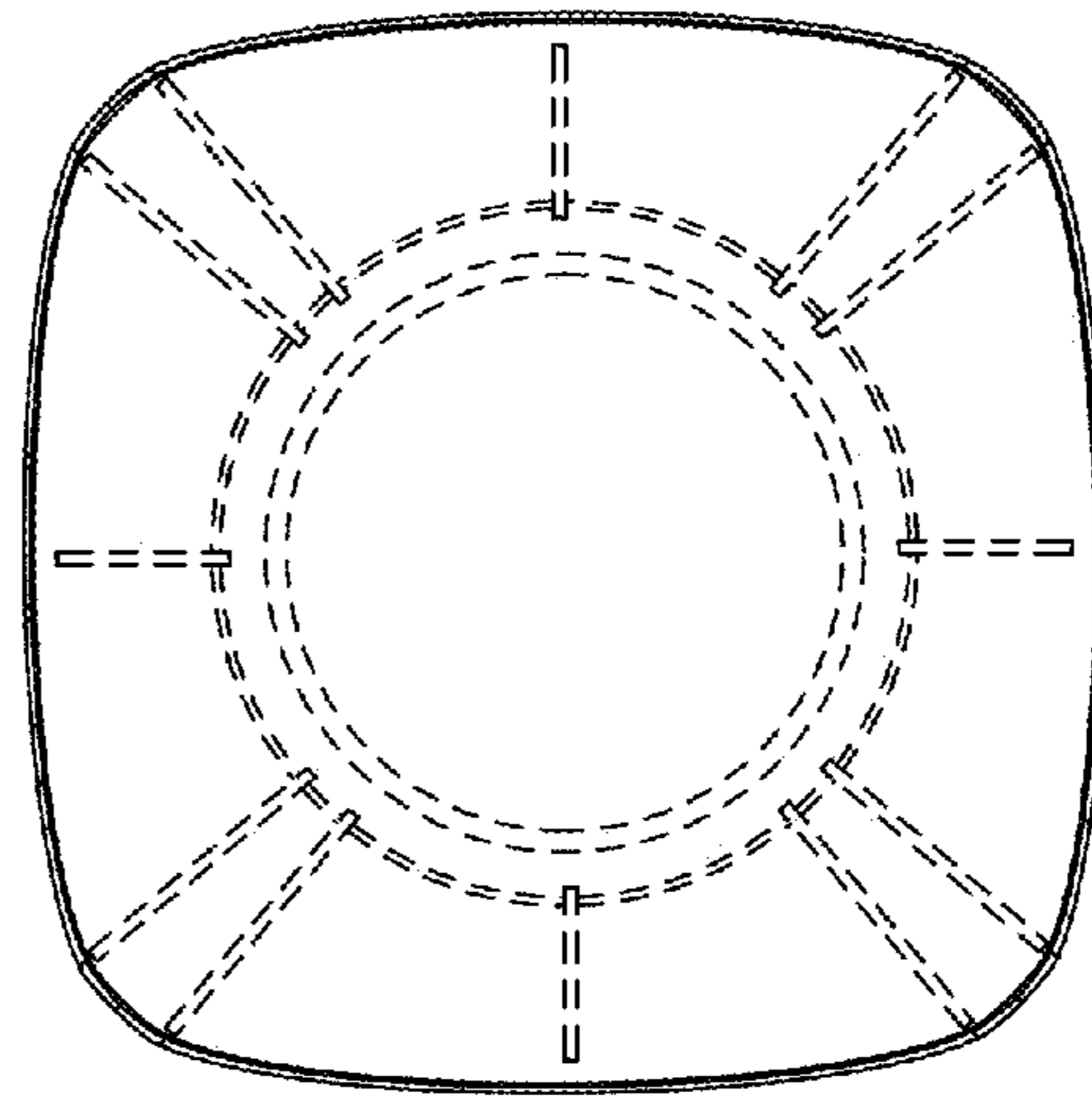


Fig. 3

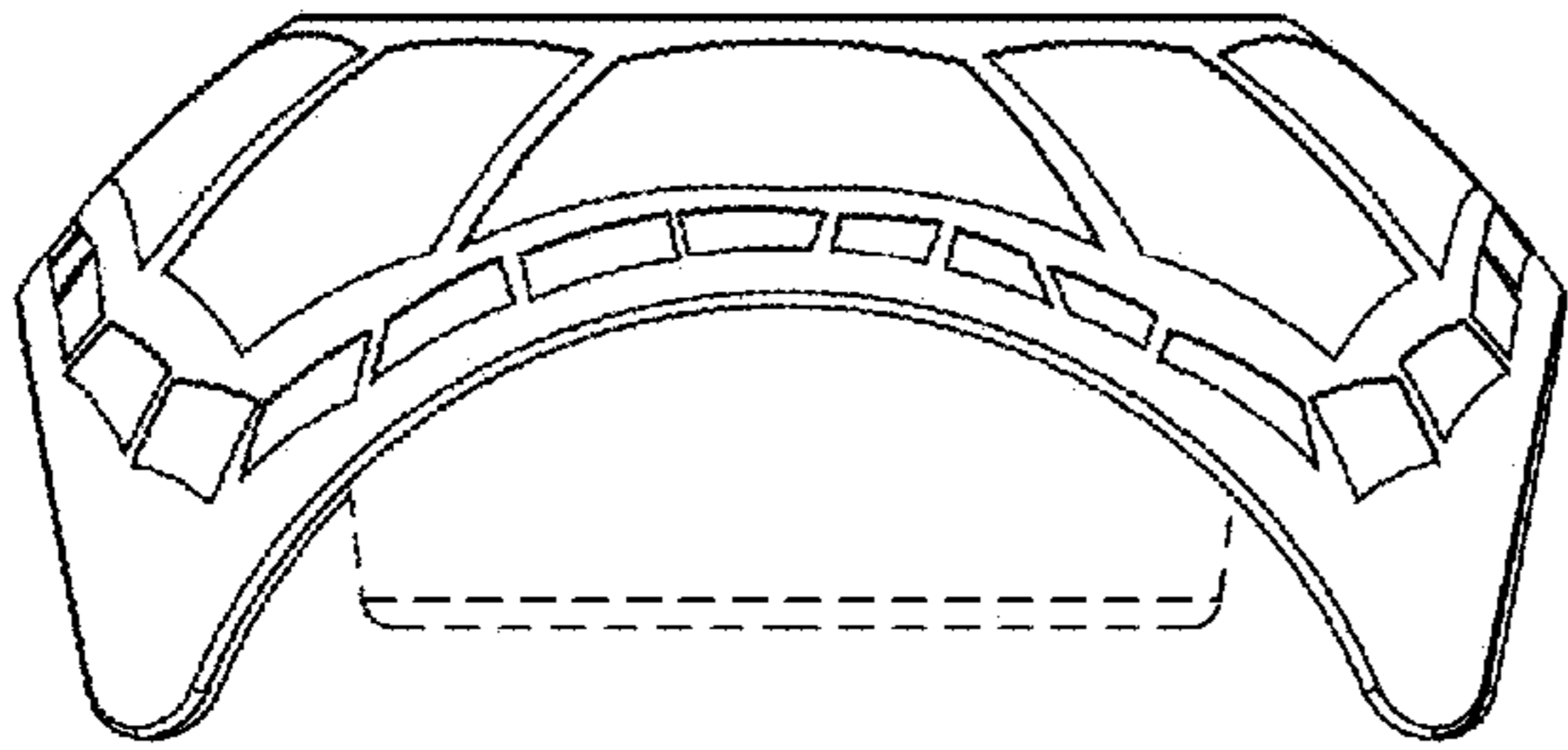


Fig. 4

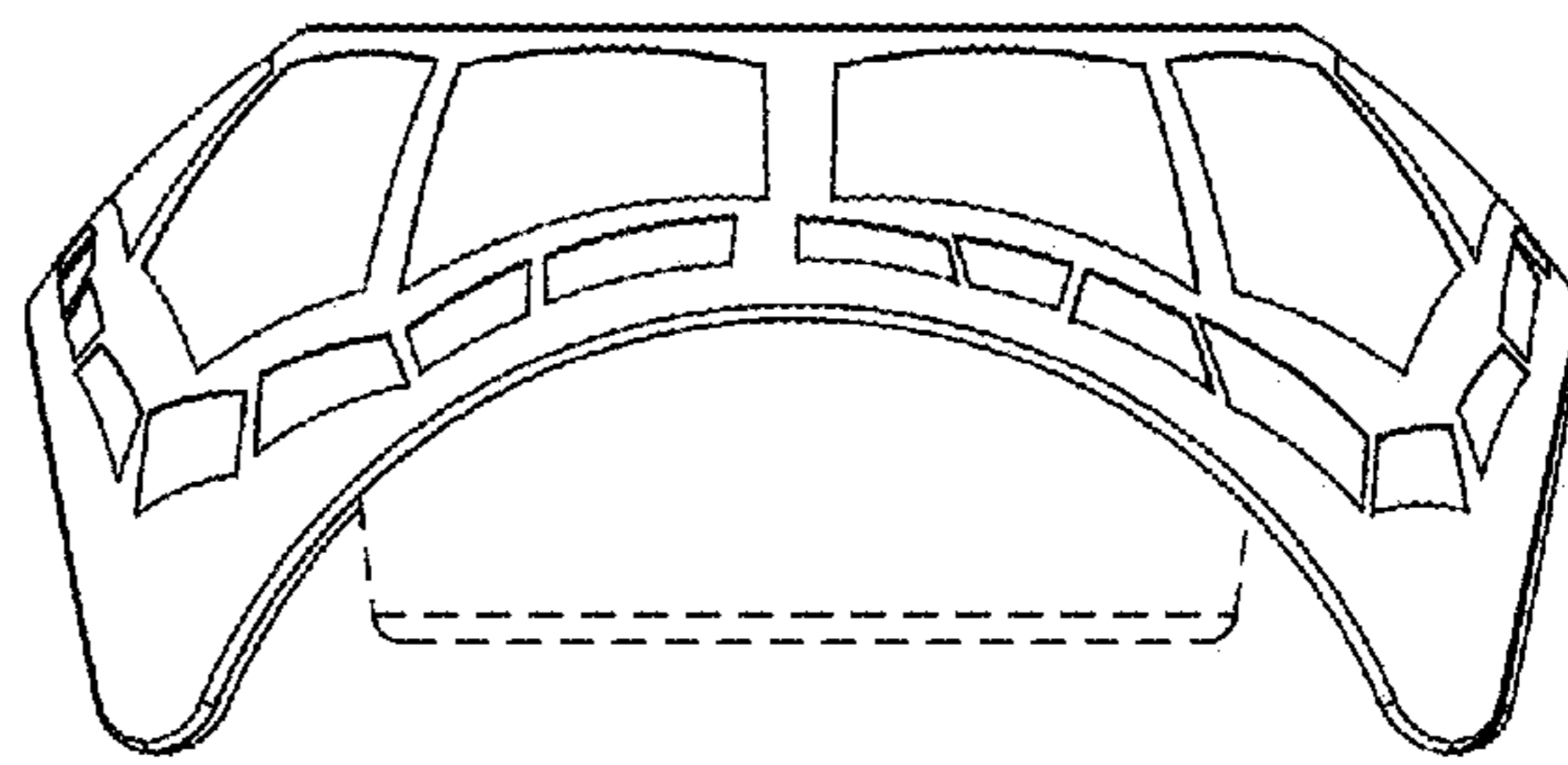


Fig. 5

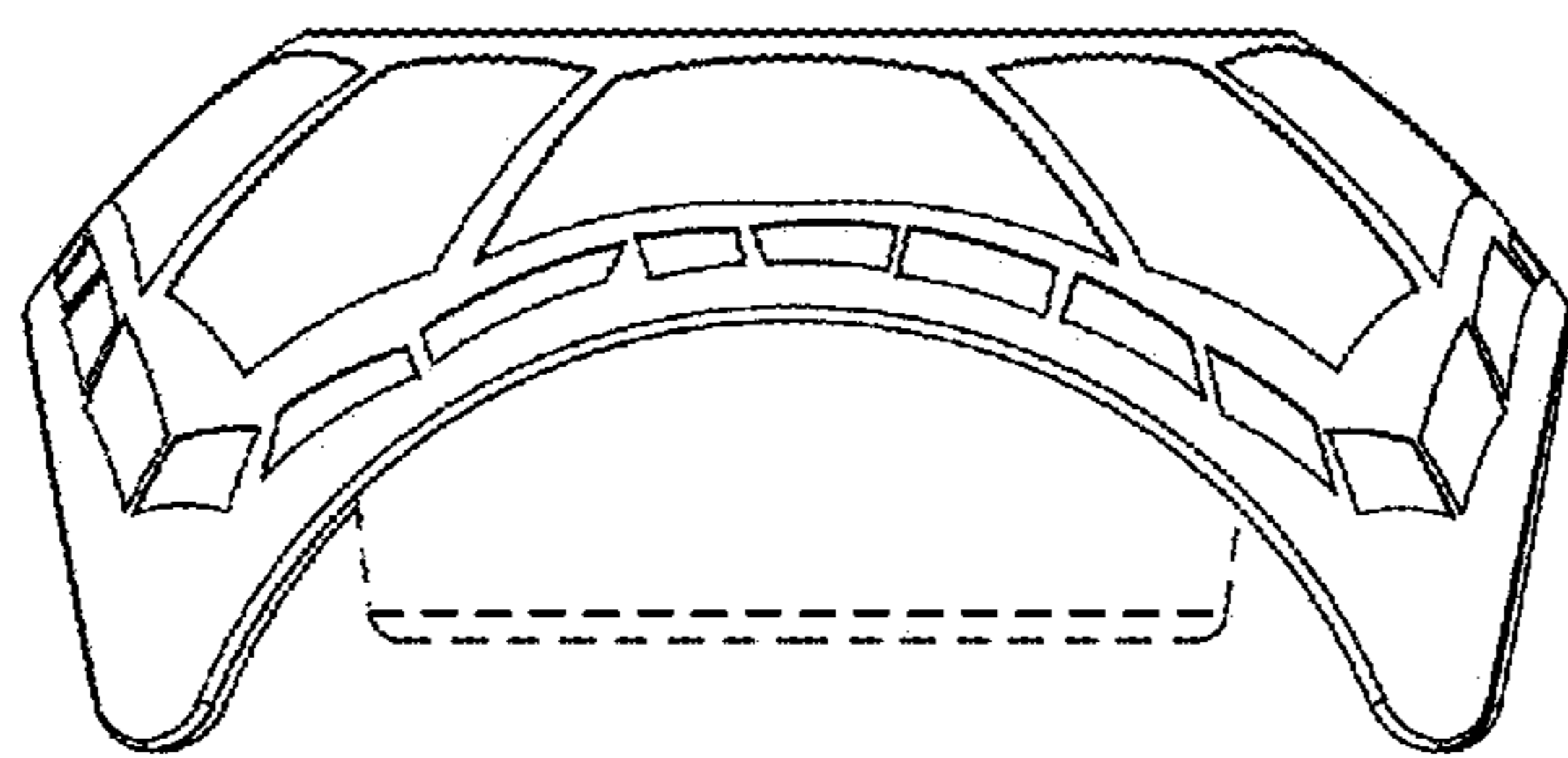


Fig. 6

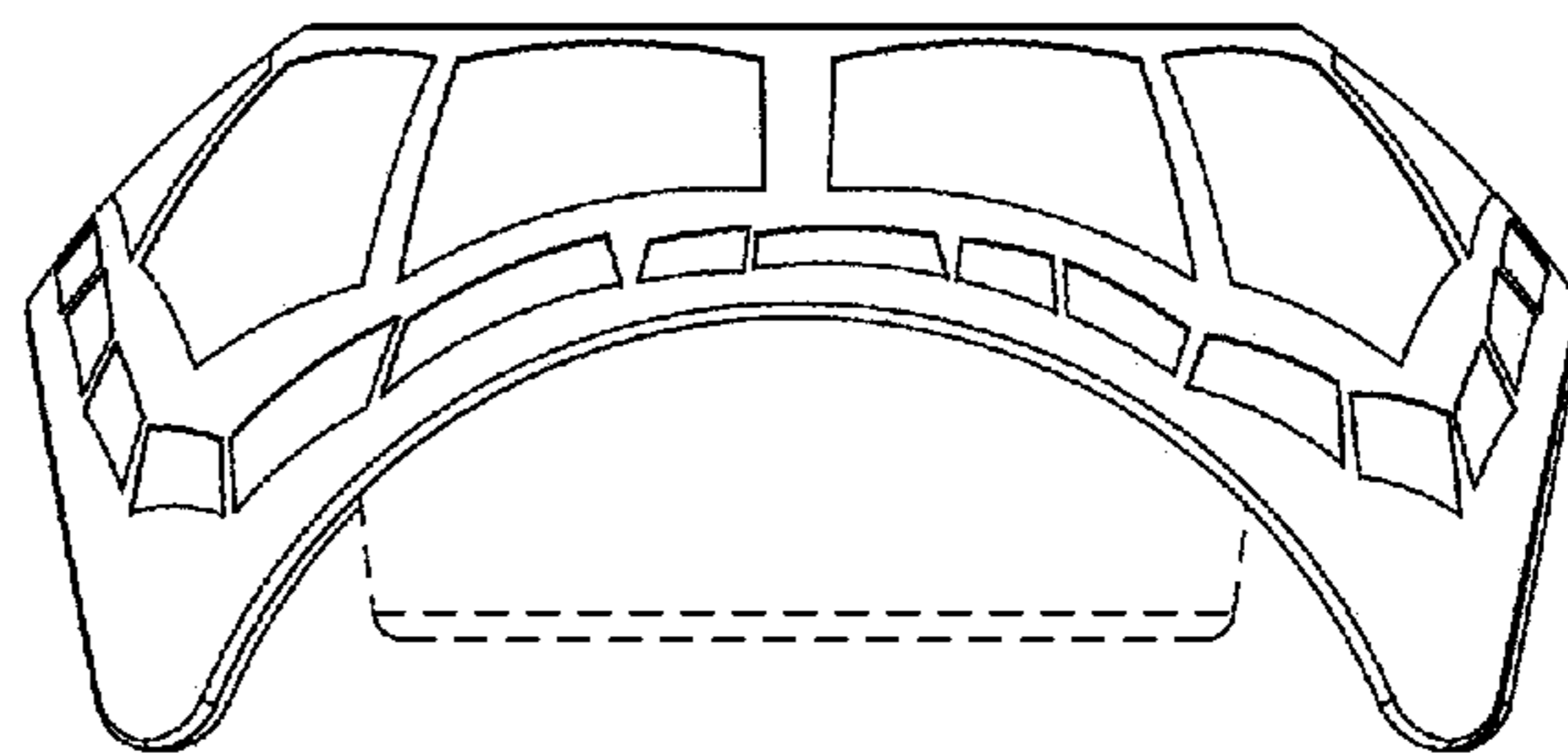


Fig. 7