



US00D679550S

(12) **United States Design Patent**
Chapman et al.

(10) **Patent No.:** **US D679,550 S**

(45) **Date of Patent:** **** Apr. 9, 2013**

(54) **SUGAR DISPENSER**

(75) Inventors: **Dean B. Chapman**, New York, NY
(US); **Olivia Blechschmidt**, Weehawken,
NJ (US)

(73) Assignee: **Capital Products, LLC**, New York, NY
(US)

(**) Term: **14 Years**

(21) Appl. No.: **29/413,849**

(22) Filed: **Feb. 21, 2012**

(51) **LOC (9) Cl.** **07-06**

(52) **U.S. Cl.** **D7/591**

(58) **Field of Classification Search** D7/590–599,
D7/300.1, 302, 317, 372, 373, 383, 384, 401.1,
D7/506, 507, 509–511, 514–517, 520, 523,
D7/532, 612–615, 617, 624, 679; D9/500,
D9/503, 505, 515, 549, 559, 574, 575, 905;
222/142.1–142.9, 450–453, 455, 456, 457.5,
222/480, 499; 241/169, 169.1, 169.2, 170
See application file for complete search history.

(56) **References Cited**

U.S. PATENT DOCUMENTS

1,014,413 A * 1/1912 Peri 222/142.4
1,646,322 A * 10/1927 Smith 222/142.1

1,883,640 A * 10/1932 Eisenhardt 222/456
2,535,913 A * 12/1950 Galvin et al. 222/142.6
D284,350 S * 6/1986 Fortuna et al. D9/500
D310,006 S * 8/1990 Rossari D7/596
D364,078 S * 11/1995 Weterrings D7/679
D472,101 S * 3/2003 Janky D7/532
D479,437 S * 9/2003 Gluck D7/523
D588,872 S * 3/2009 Gospodarski D7/591
D618,967 S * 7/2010 Bodum D7/615

* cited by examiner

Primary Examiner — Ian Simmons

Assistant Examiner — Shannon Weekley

(74) *Attorney, Agent, or Firm* — Klauber & Jackson LLC

(57) **CLAIM**

The ornamental design for a sugar dispenser, as shown and described.

DESCRIPTION

FIG. 1 is a perspective view showing the top and a side and a side, all sides being identical, of the sugar dispenser of our new design;

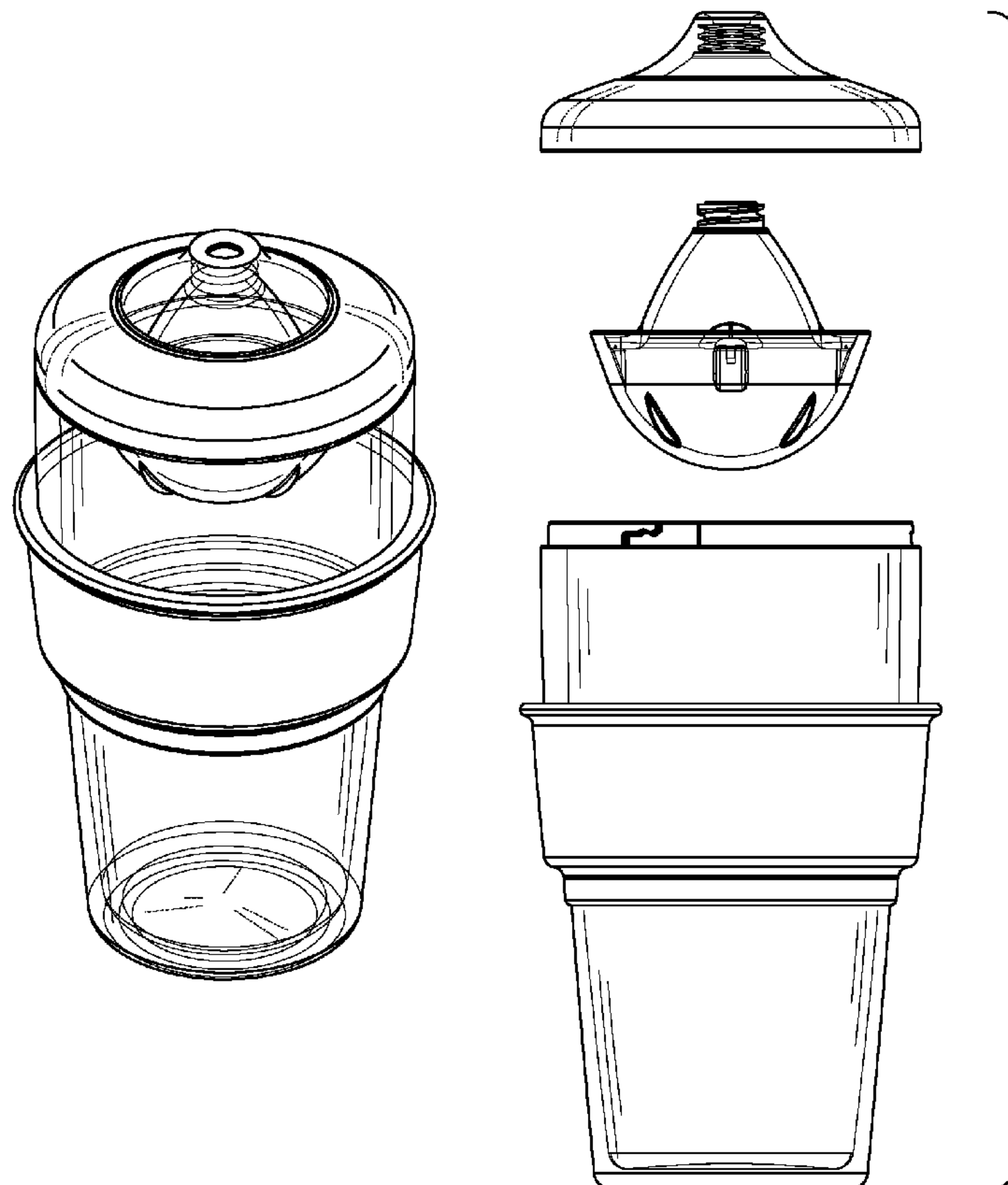
FIG. 2 is a top view thereof;

FIG. 3 is a side view of the sugar dispenser of FIG. 1;

FIG. 4 is an exploded side view of FIG. 3; and,

FIG. 5 is a bottom view of the sugar dispenser of our new design.

1 Claim, 2 Drawing Sheets



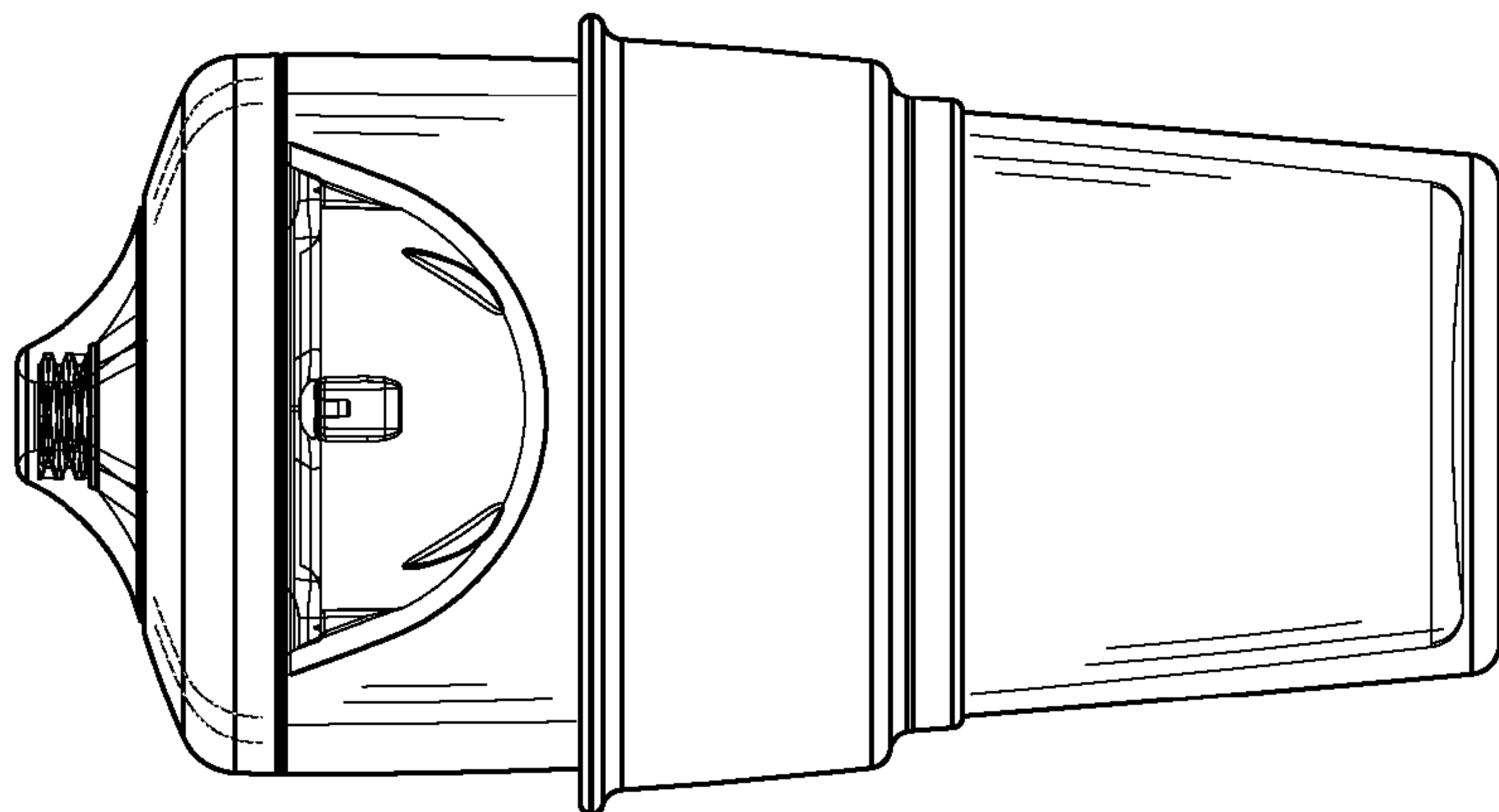


Fig. 3

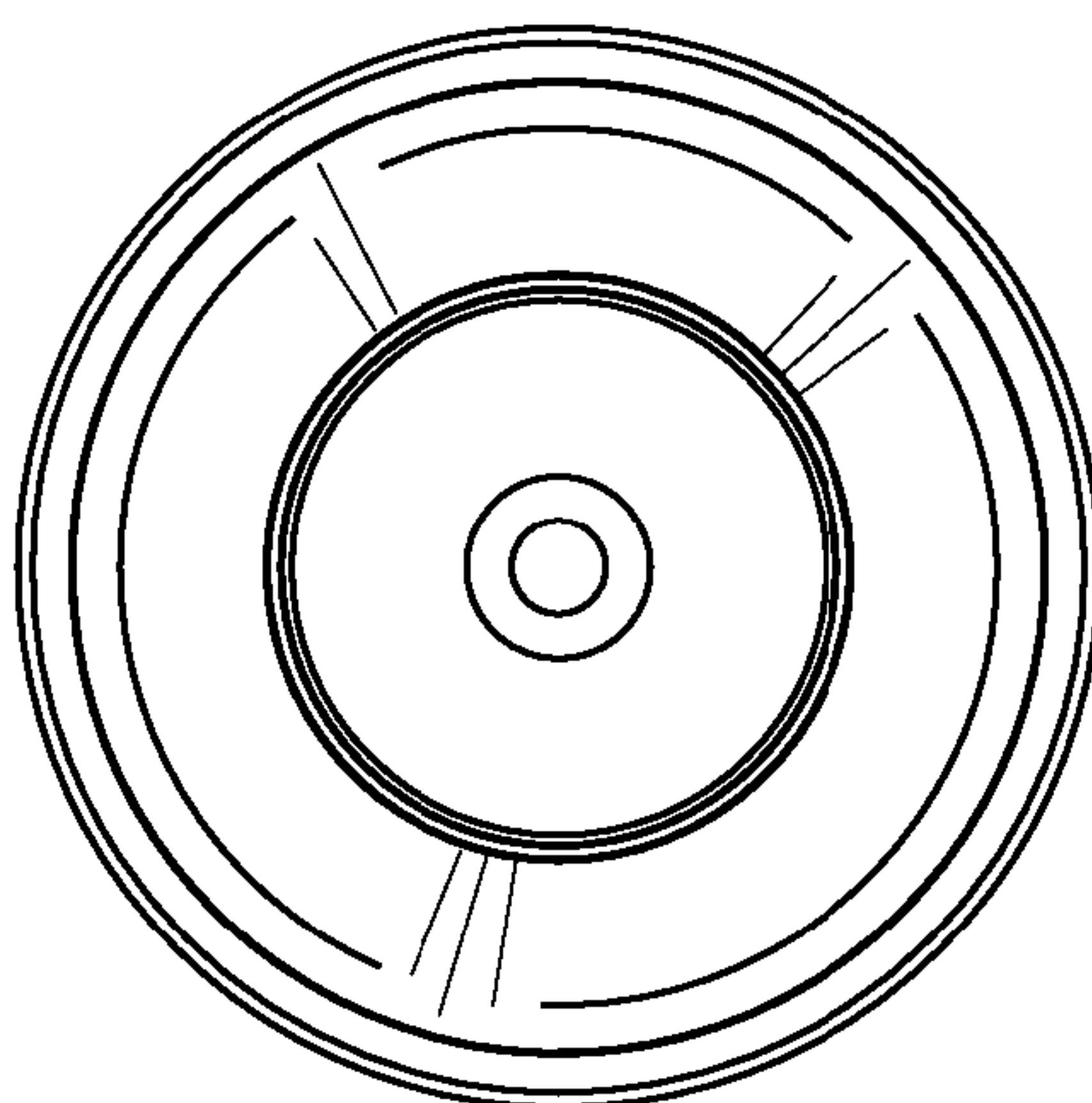


Fig. 2

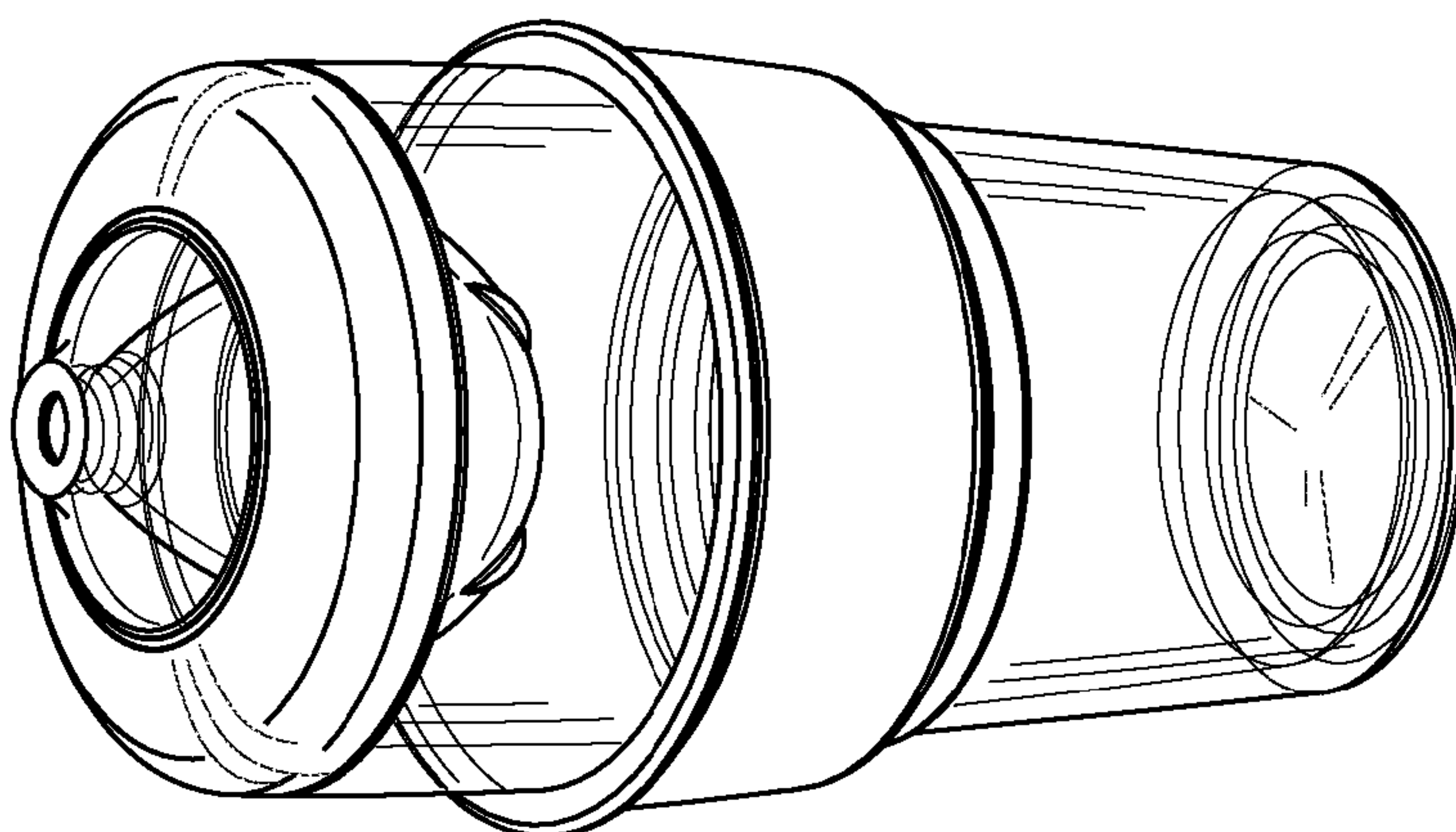


Fig. 1

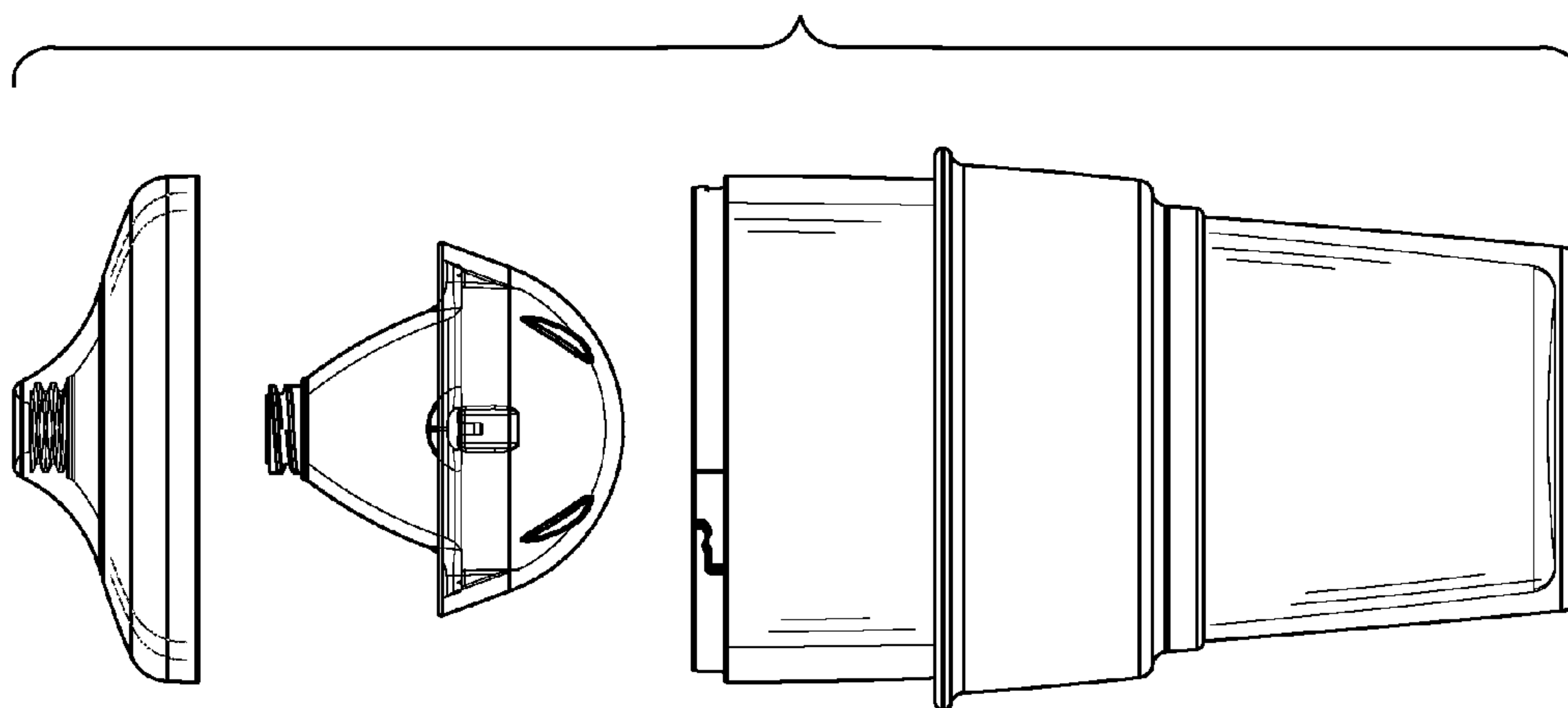


Fig. 4

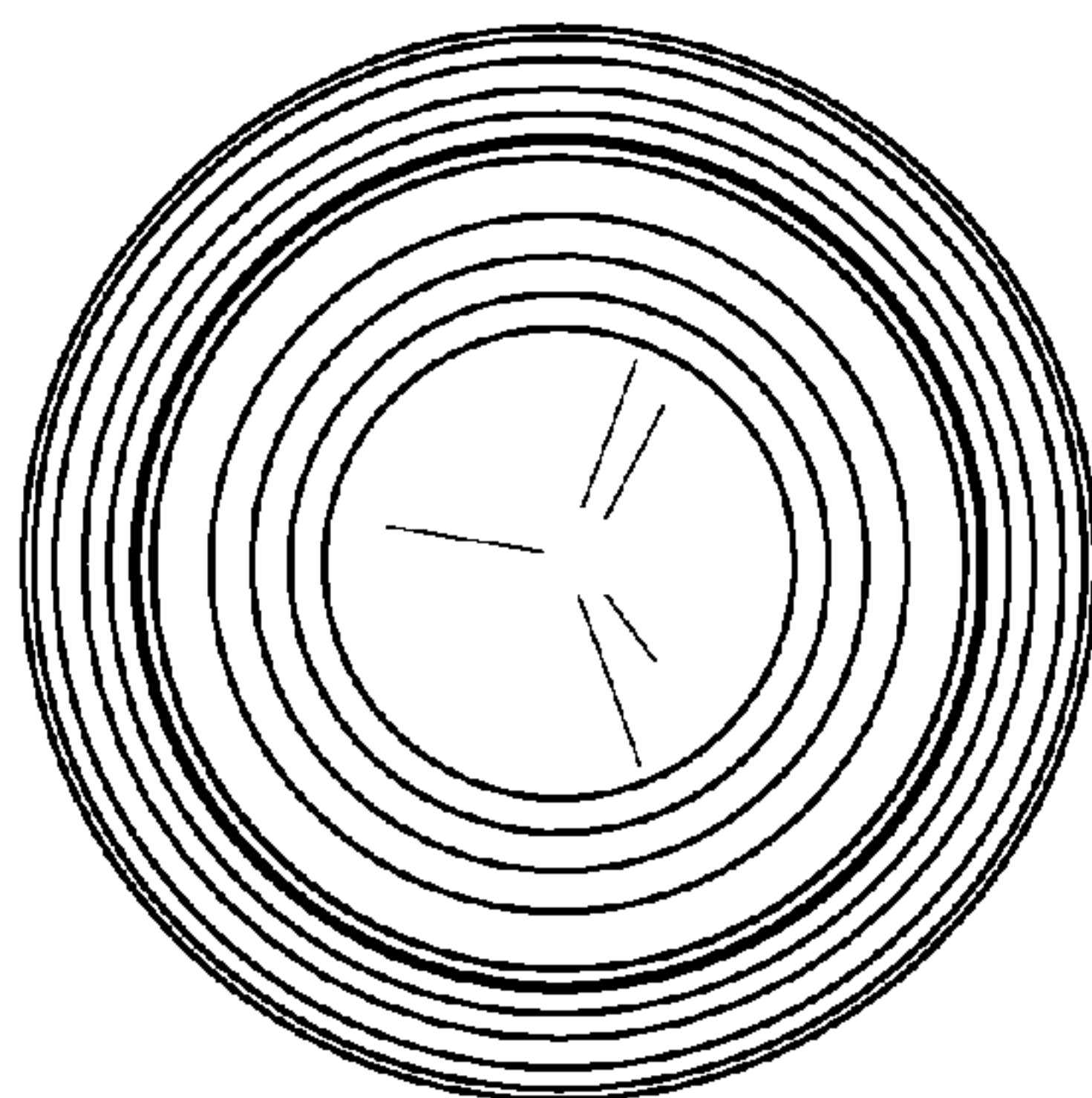


Fig. 5