



US00D679549S

(12) **United States Design Patent**  
**Chen**

(10) **Patent No.:** **US D679,549 S**

(45) **Date of Patent:** **\*\* Apr. 9, 2013**

- (54) **SERVING DISH WITH COVER**
- (75) Inventor: **Rui Yuan Chen**, Oxford (GB)
- (73) Assignee: **Dart Industries Inc.**, Orlando, FL (US)
- (\*\*) Term: **14 Years**
- (21) Appl. No.: **29/395,897**
- (22) Filed: **Apr. 18, 2012**
- (51) **LOC (9) Cl.** ..... **07-01**
- (52) **U.S. Cl.**  
USPC ..... **D7/545**
- (58) **Field of Classification Search** ..... D7/501,  
D7/505, 538, 543, 545, 500, 590, 360, 600.2,  
D7/553.6, 392.1, 601, 354, 555, 557, 566,  
D7/620, 629, 552.1, 589, 586; D9/743, 745;  
220/751, 23.4, 574; 206/514; 73/426  
See application file for complete search history.

- D535,153 S 1/2007 Eide et al.
- D545,613 S \* 7/2007 Lion et al. .... D7/354
- D557,551 S \* 12/2007 Tetreault et al. .... D7/354
- D563,718 S 3/2008 Lion et al.
- D571,156 S 6/2008 Gartz et al.
- D657,617 S \* 4/2012 Sarnoff et al. .... D7/360

**OTHER PUBLICATIONS**

- U.S. Appl. No. 29/395,894; Rui Yuan Chen; filed Apr. 18, 2012.
- U.S. Appl. No. 29/395,898; Rui Yuan Chen; filed Apr. 18, 2012.
- U.S. Appl. No. 29/395,896; Rui Yuan Chen; filed Apr. 18, 2012.
- U.S. Appl. No. 29/395,892; Rui Yuan Chen; filed Apr. 18, 2012.
- U.S. Appl. No. 29/395,899; Rui Yuan Chen; filed Apr. 18, 2012.

\* cited by examiner

*Primary Examiner* — Cynthia Underwood  
(74) *Attorney, Agent, or Firm* — John A. Doninger

(57) **CLAIM**  
The ornamental design for a serving dish with cover, as shown and described.

(56) **References Cited**

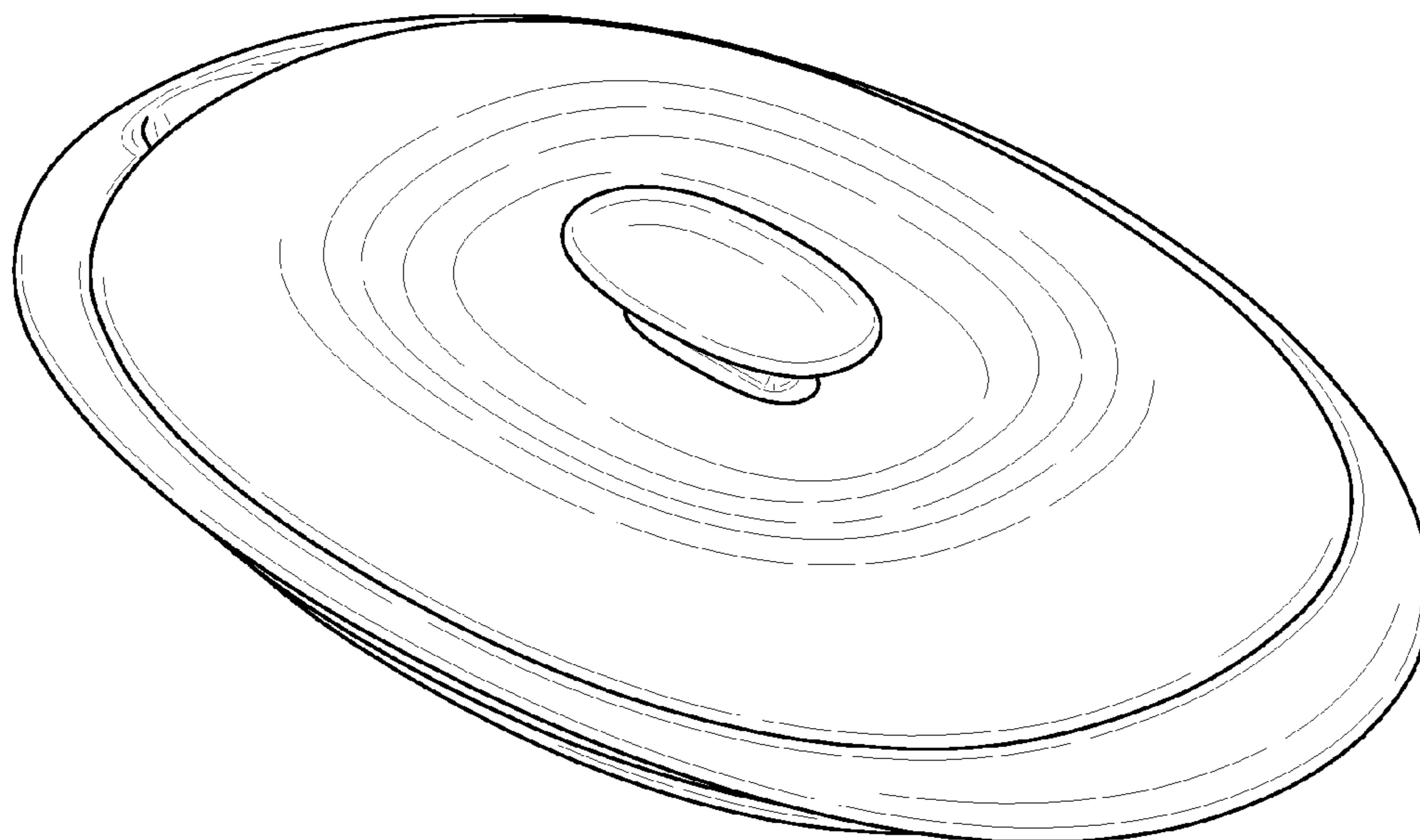
**U.S. PATENT DOCUMENTS**

- D71,003 S \* 9/1926 Carlson ..... D32/35
- D328,836 S \* 8/1992 Unger ..... D7/542
- D370,598 S 6/1996 Koch
- D405,561 S 2/1999 Willinger
- D412,266 S 7/1999 Kerr
- D433,878 S 11/2000 Joergensen
- D453,283 S \* 2/2002 Terracciano ..... D7/608
- D477,970 S 8/2003 Thonis
- D480,600 S 10/2003 Lillelund et al.
- D480,604 S 10/2003 Lillelund et al.
- D499,936 S 12/2004 Wiedmeyer et al.
- D508,822 S 8/2005 Smith et al.
- D511,938 S \* 11/2005 Watson ..... D7/542
- D515,873 S \* 2/2006 Vendl et al. .... D7/545
- D517,372 S \* 3/2006 Vendl et al. .... D7/545
- D520,303 S 5/2006 Hayes et al.

**DESCRIPTION**

FIG. 1 is a top, side and front perspective view of the first embodiment of a serving dish with cover showing my new design;  
FIG. 2 is a front elevation view, the rear elevation being a mirror image thereof;  
FIG. 3 is a right side elevation view thereof;  
FIG. 4 is a left side elevation view thereof;  
FIG. 5 is a top plan view thereof; and,  
FIG. 6 is a bottom plan view thereof.  
The broken lines are included for illustrative purposes only and form no part of the claim.

**1 Claim, 2 Drawing Sheets**



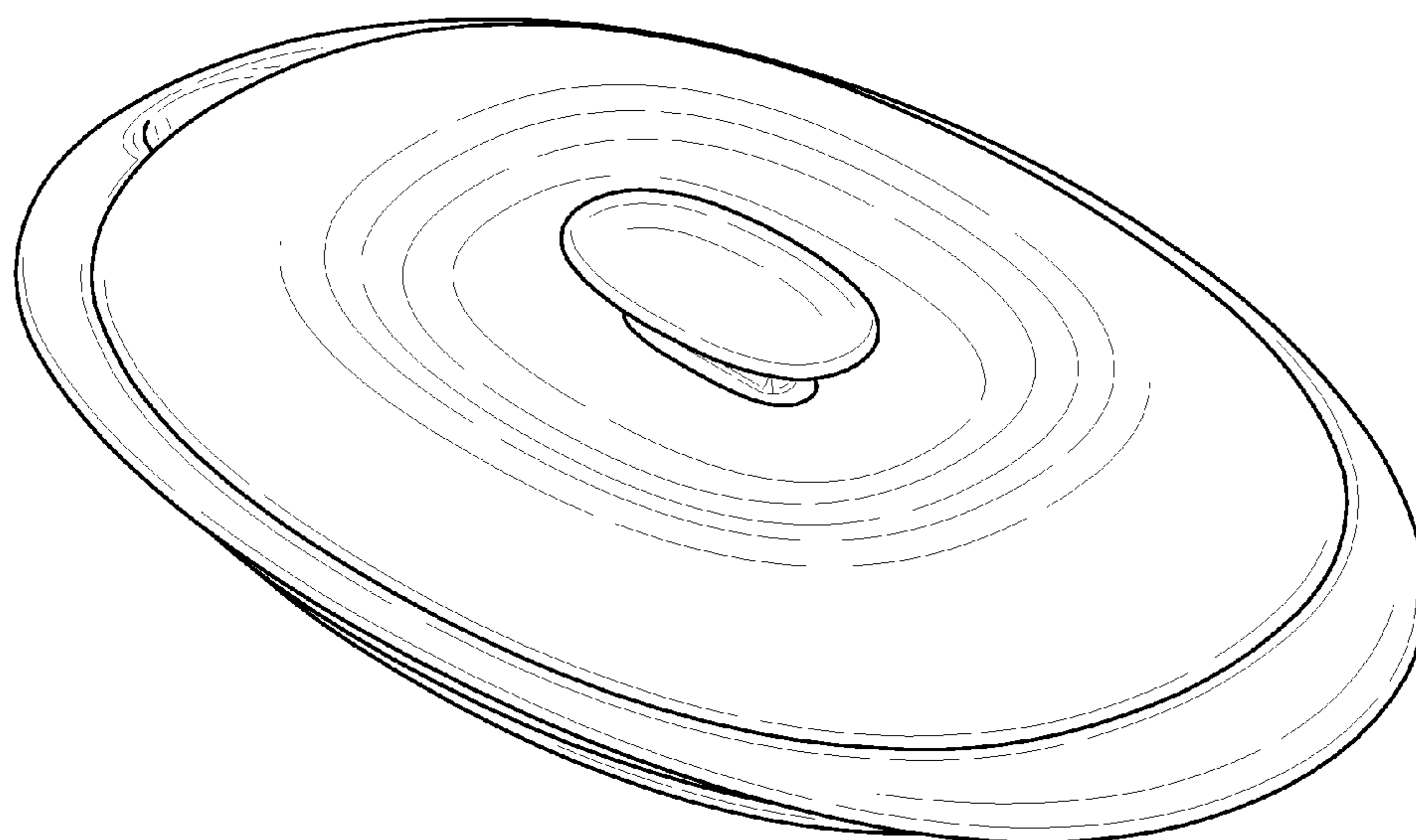


FIG. 1

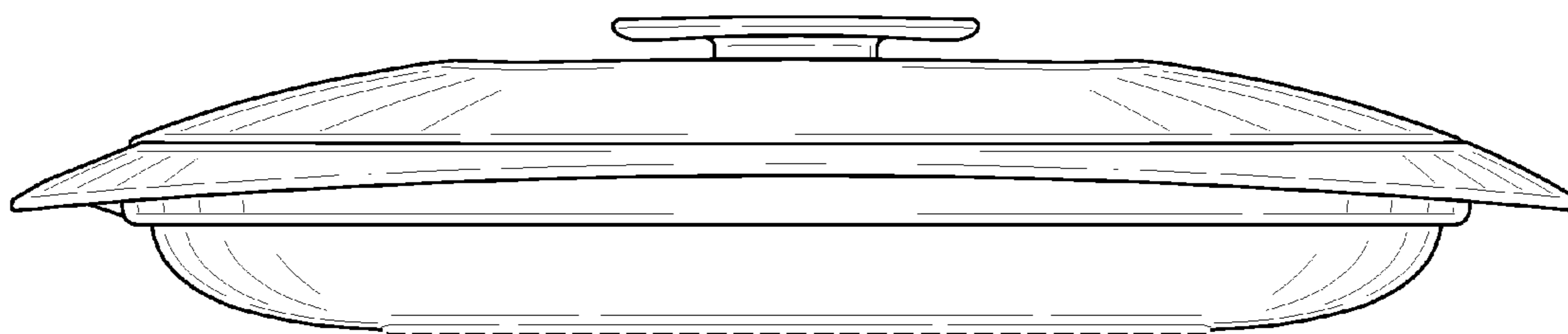


FIG. 2

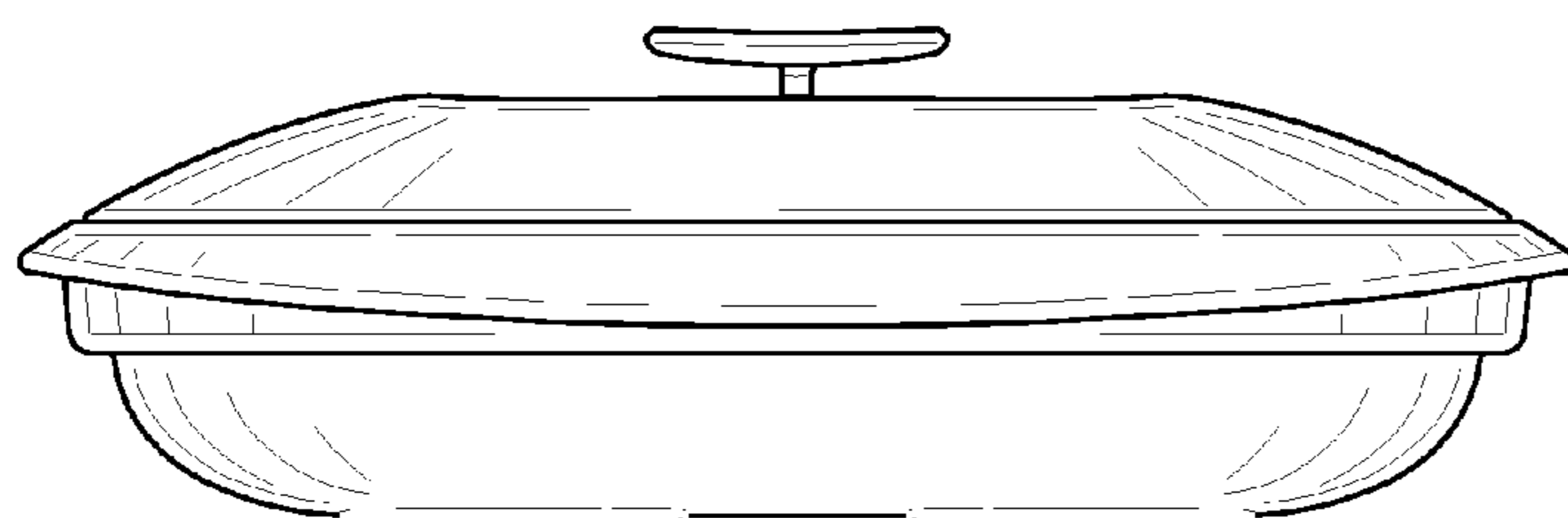


FIG. 3

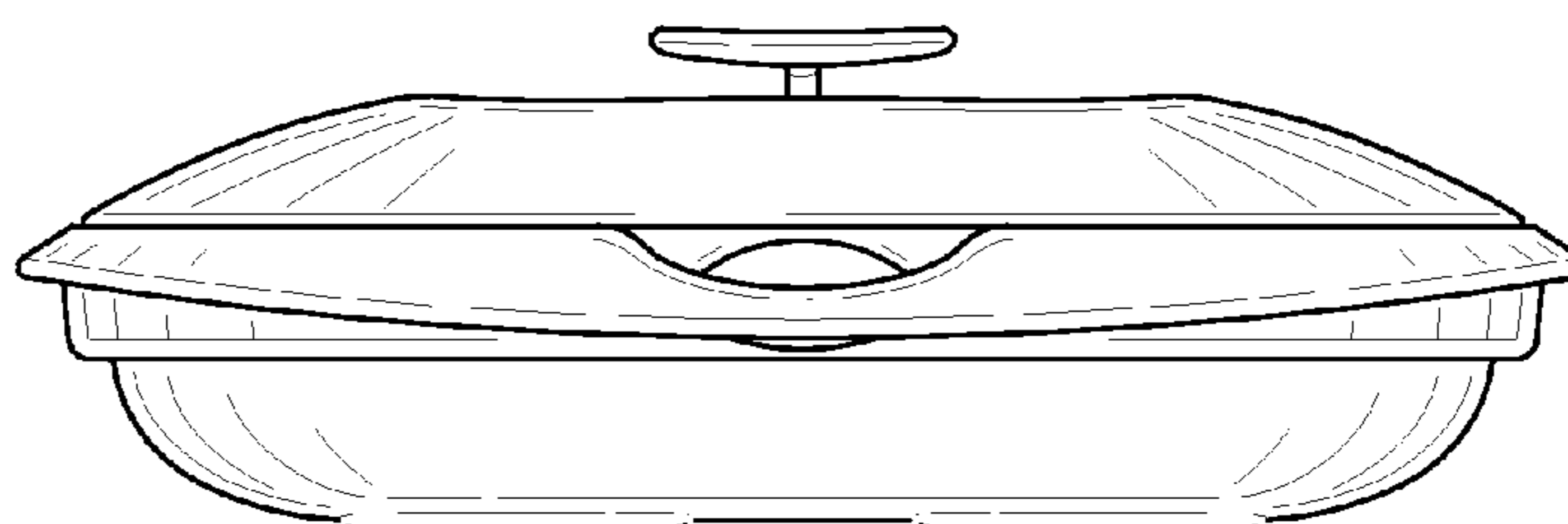


FIG. 4

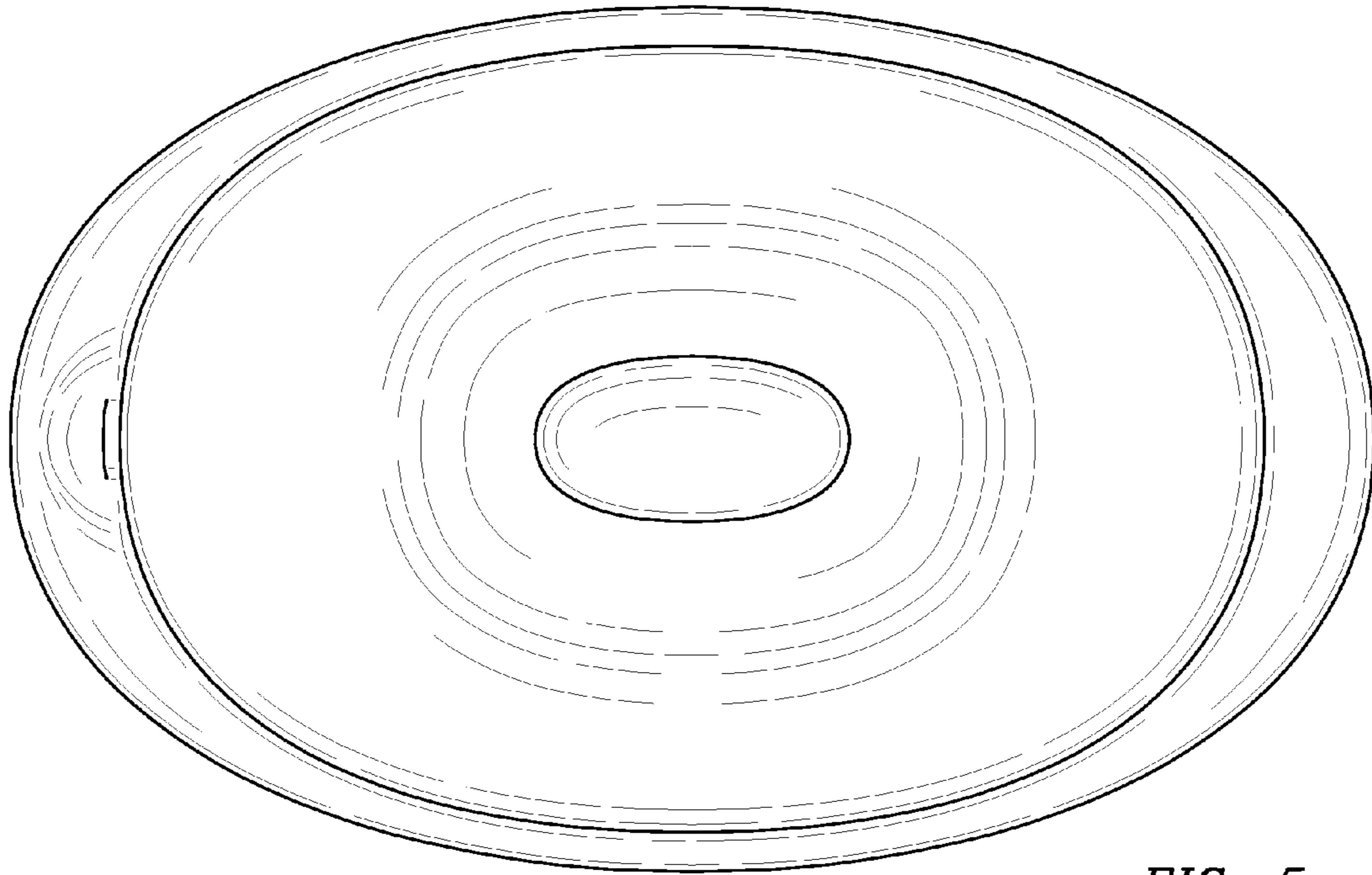


FIG. 5

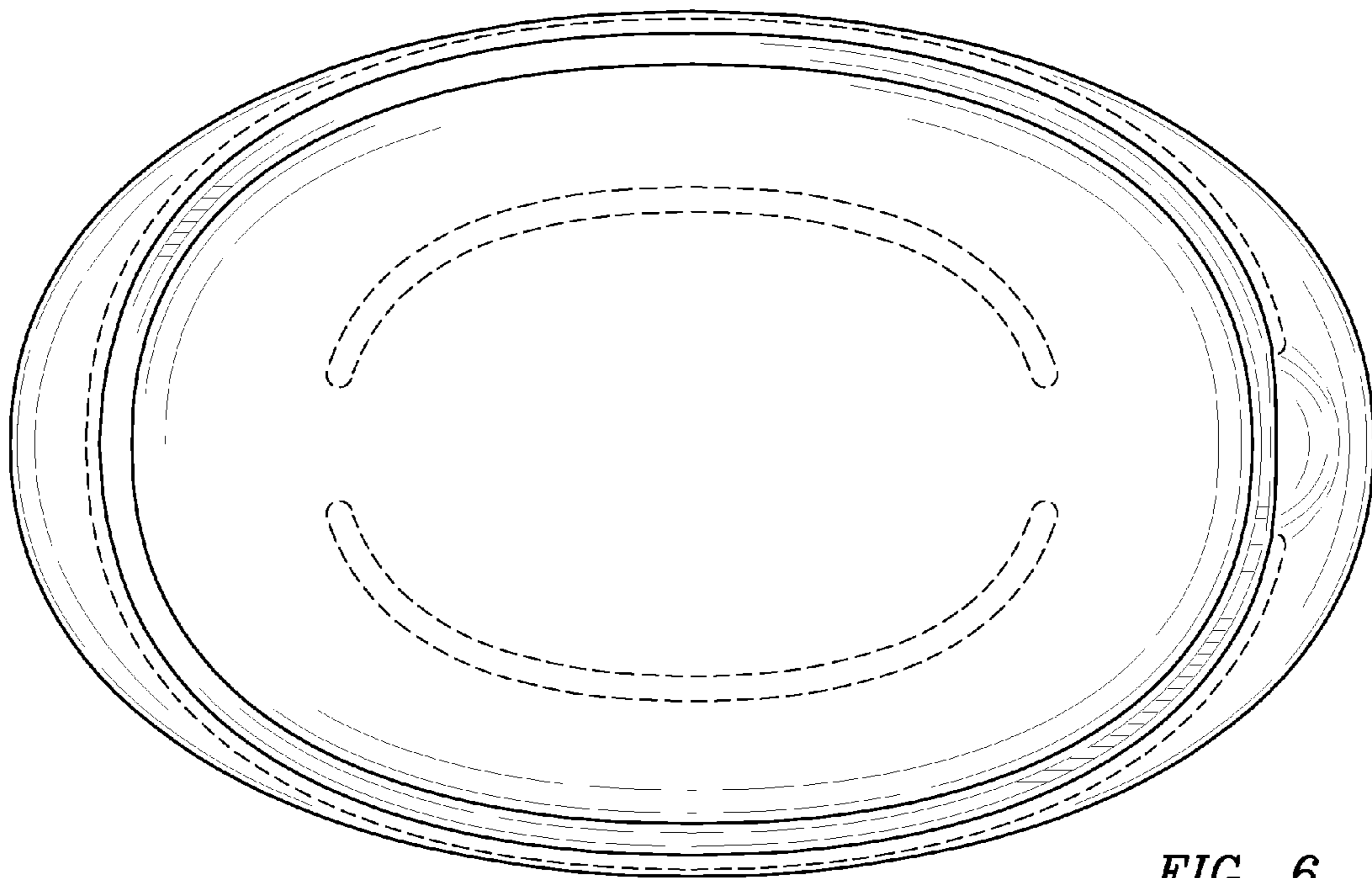


FIG. 6