



US00D679544S

(12) **United States Design Patent**
Goodman et al.

(10) **Patent No.:** **US D679,544 S**

(45) **Date of Patent:** **** Apr. 9, 2013**

(54) **TWO TIER SERVER**

(75) Inventors: **Sheldon H. Goodman**, Solon, OH (US);
Phaysouk Xayoiphonh, Akron, OH
(US); **Elizabeth A. Cho**, Evanston, IL
(US)

(73) Assignee: **Spectrum Diversified Designs, Inc.**,
Streetsboro, OH (US)

(**) Term: **14 Years**

(21) Appl. No.: **29/422,686**

(22) Filed: **May 23, 2012**

(51) **LOC (9) Cl.** **07-01**

(52) **U.S. Cl.** **D7/501**

(58) **Field of Classification Search** D7/501,
D7/500, 590, 600.2, 600.1, 600.4, 704; D3/304,
D3/306; D19/76; D6/525, 566, 567, 572,
D6/574, 511, 537, 540, 403, 513, 556; 220/574,
220/575

See application file for complete search history.

(56) **References Cited**

U.S. PATENT DOCUMENTS

2,883,063 A * 4/1959 Baren 211/78
D480,581 S * 10/2003 Searer D6/455

D561,539 S * 2/2008 Snider et al. D7/600.2
D600,505 S * 9/2009 Godinger D7/610
D640,884 S * 7/2011 Tiemann D6/458
D643,684 S * 8/2011 Tiemann D7/600.2
D662,782 S * 7/2012 Tiemann D7/600.2
8,356,953 B2 * 1/2013 Sagel 403/348
2007/0045206 A1 * 3/2007 Tiemann 211/77

* cited by examiner

Primary Examiner — Cynthia Underwood

(74) *Attorney, Agent, or Firm* — Pearne & Gordon LLP

(57) **CLAIM**

The ornamental design for a two tier server, as shown and described.

DESCRIPTION

FIG. 1 is a perspective view of a two tier server showing our new design;

FIG. 2 is a front elevational view thereof;

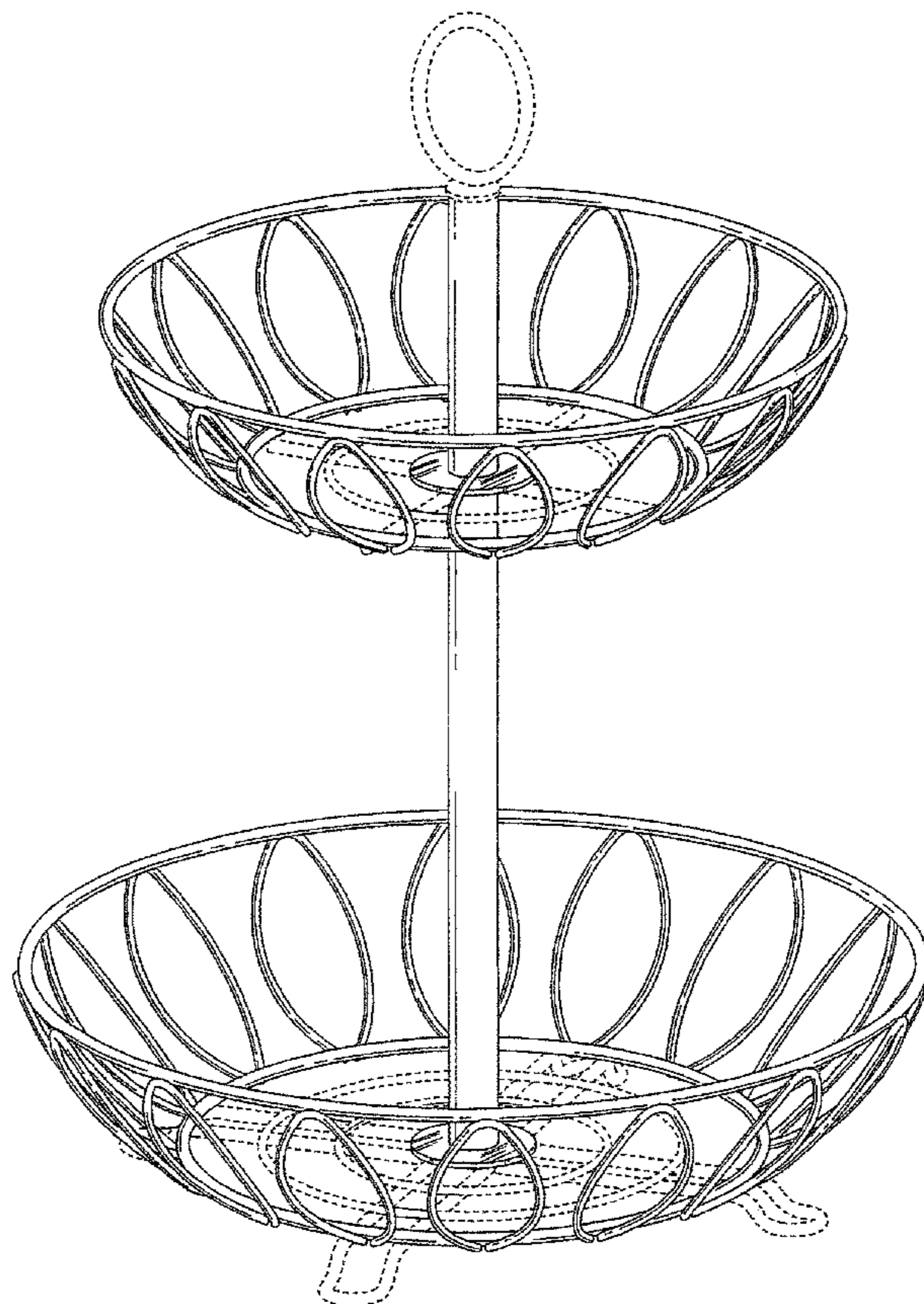
FIG. 3 is a side elevational view thereof;

FIG. 4 is a top plan view thereof; and,

FIG. 5 is a bottom plan view thereof.

The dotted-line showing in the drawings illustrates environmental matter and forms no part of the claimed design.

1 Claim, 4 Drawing Sheets



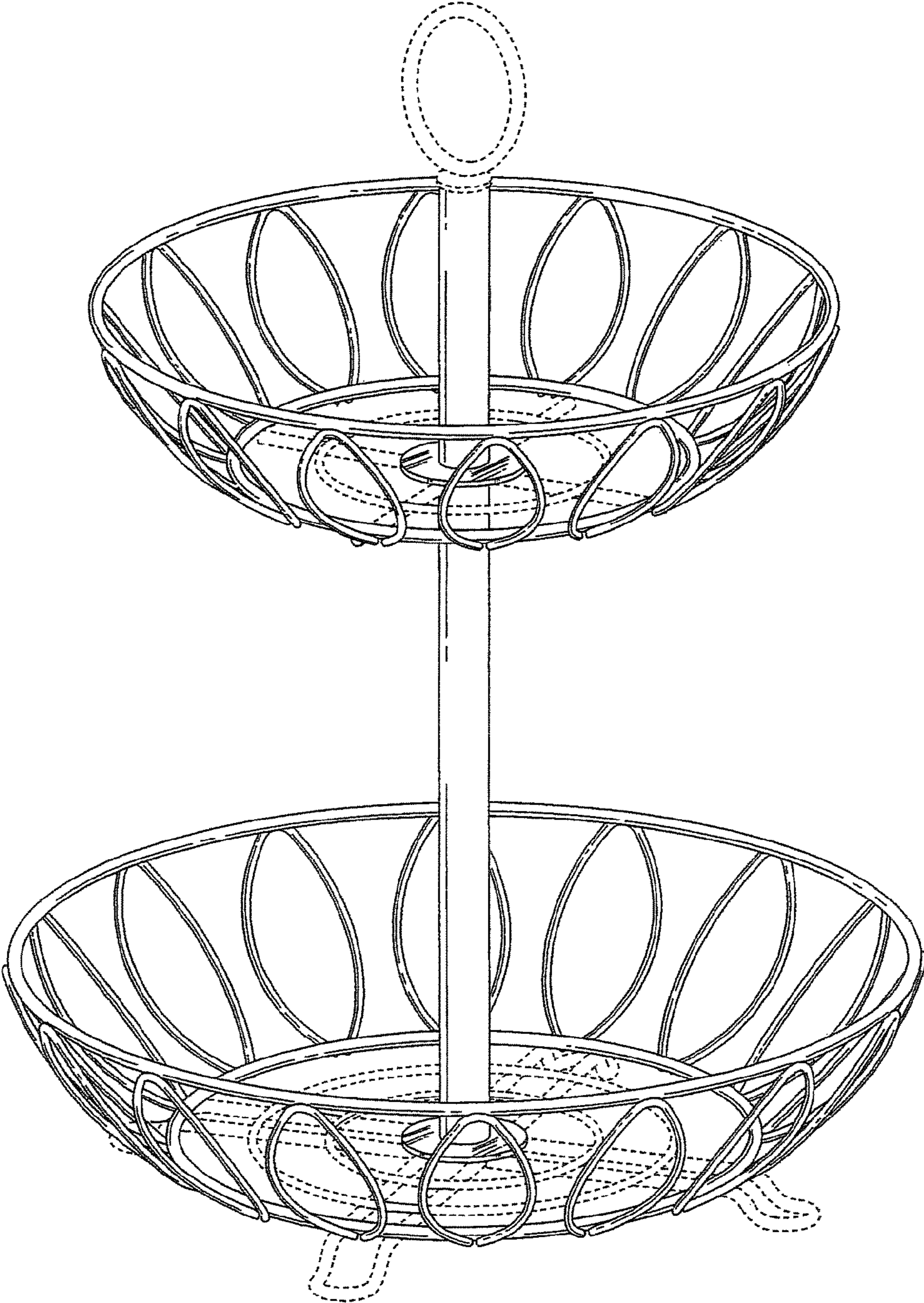


FIG 1

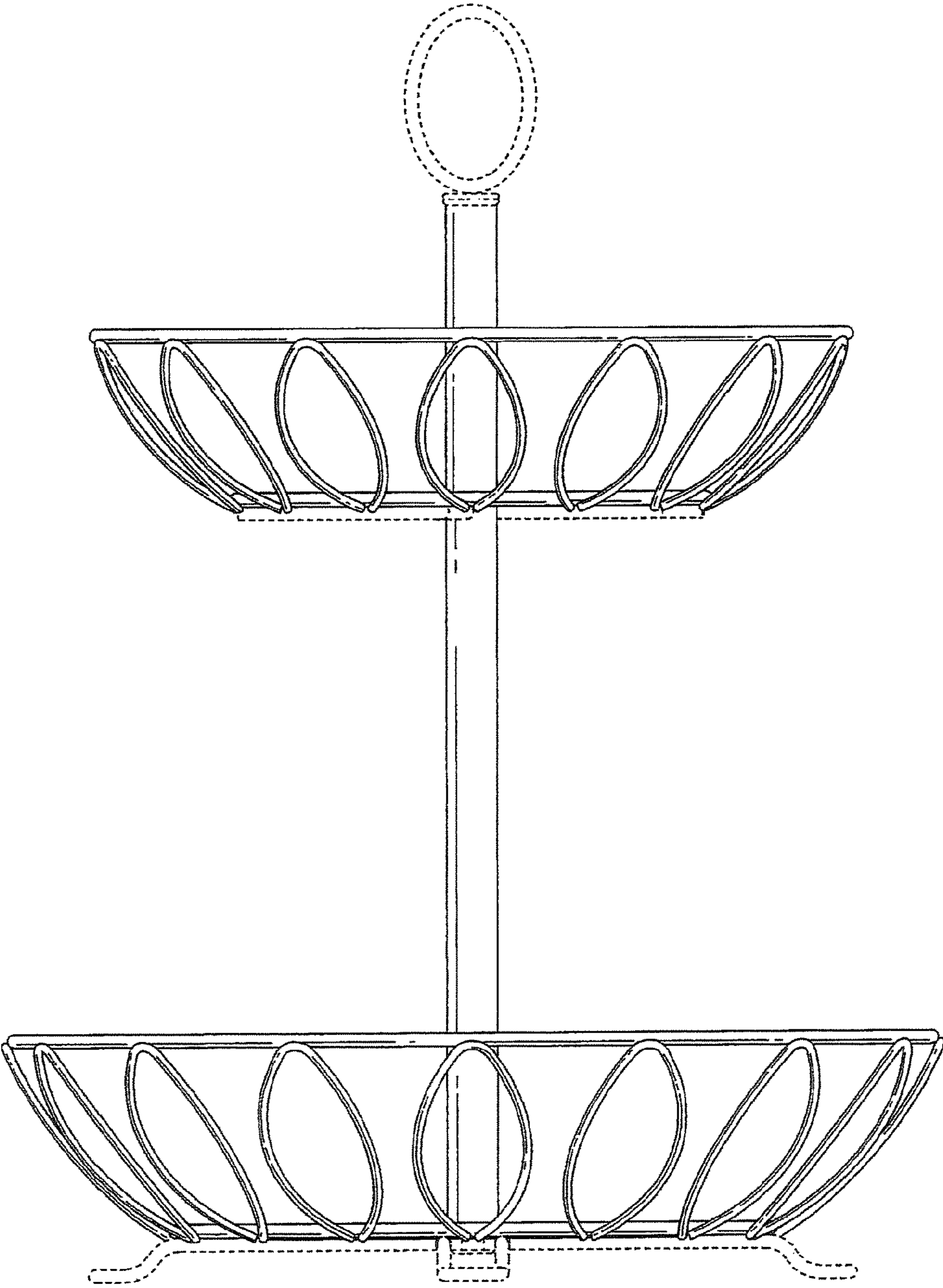


FIG 2

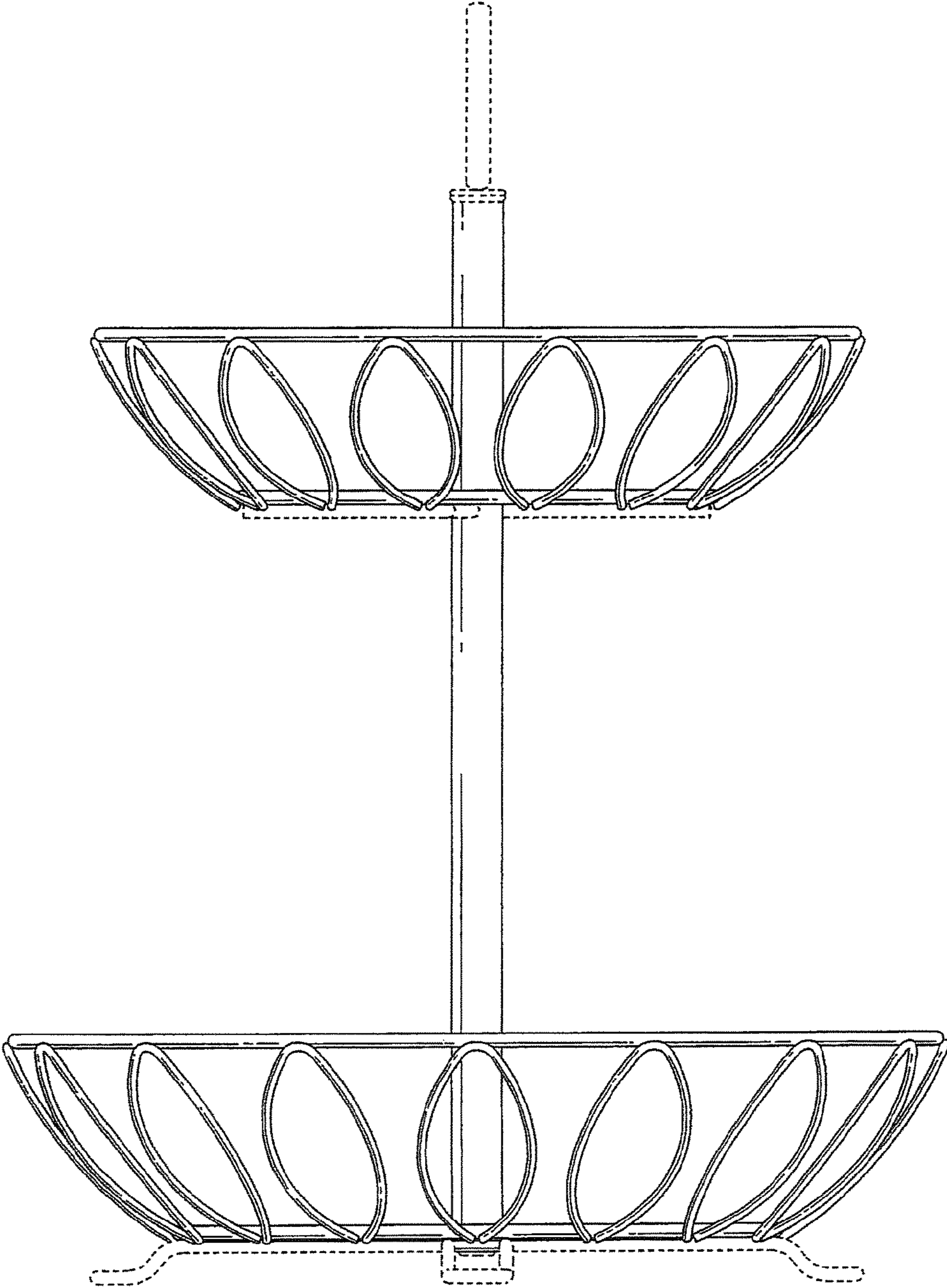


FIG 3

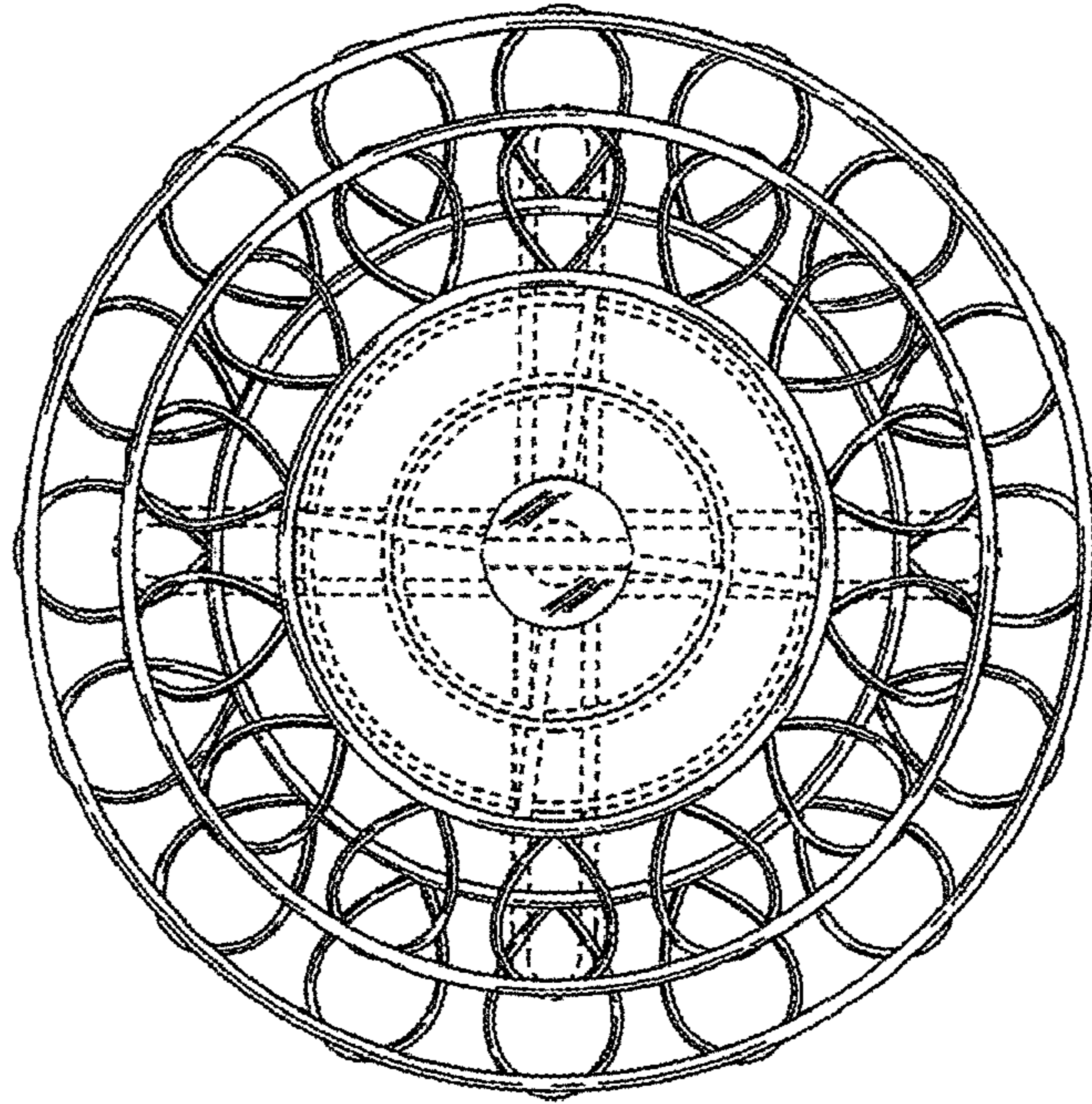


FIG 4

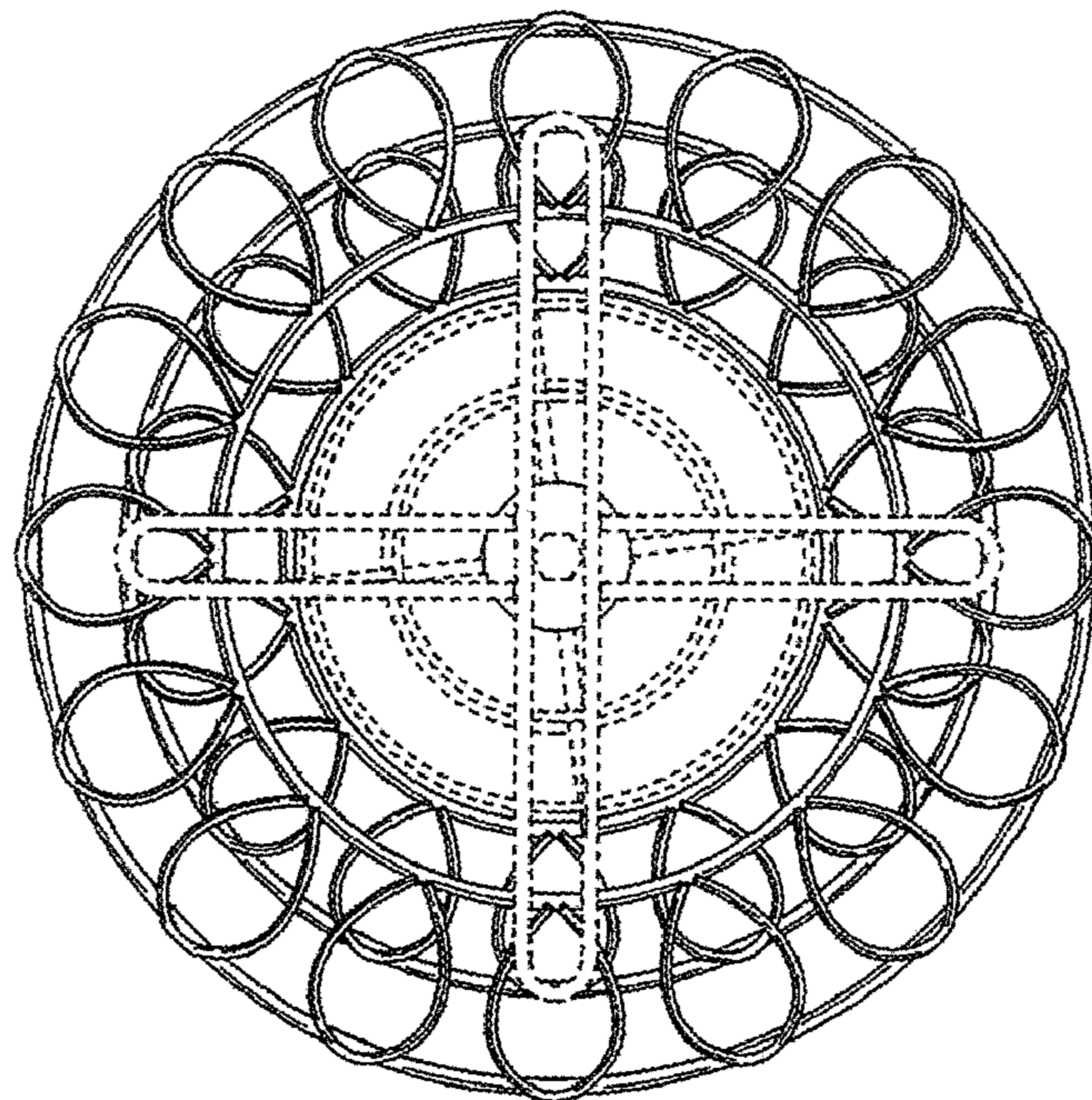


FIG 5