



US00D679543S

(12) **United States Design Patent**
Repac

(10) **Patent No.:** **US D679,543 S**

(45) **Date of Patent:** **** Apr. 9, 2013**

(54) **MIXER/CUTTER PITCHER**

(76) Inventor: **Cedomir Repac**, Brechen (DE)

(**) Term: **14 Years**

(21) Appl. No.: **29/429,753**

(22) Filed: **Aug. 16, 2012**

(30) **Foreign Application Priority Data**

Feb. 17, 2012 (DE) 40 2012 000 814

(51) **LOC (9) Cl.** **31-00**

(52) **U.S. Cl.** **D7/413; D7/376; D7/378; D7/412**

(58) **Field of Classification Search** D7/301-313,
D7/316-319, 356-357, 368, 372-386, 391-398,
D7/412-415, 503, 515, 665, 679, 691-693;
99/326, 348, 492, 508-512; 222/465.1;
241/30-37.5, 101.01-101.2, 166-169.1,
241/172, 272, 285.1-285.3, 291, 292.1; 366/64-67,
366/98, 129, 142-144, 192-211, 241-254,
366/262, 279-292, 325.8, 325.92, 341-347;
416/75-77, 70 R, 163
See application file for complete search history.

(56) **References Cited**

U.S. PATENT DOCUMENTS

D296,973 S * 8/1988 Pozzi D7/317
4,957,224 A * 9/1990 Kessler et al. 222/465.1
D337,690 S * 7/1993 Bunn et al. D7/317
D386,357 S * 11/1997 Davidson D7/413

D522,304 S * 6/2006 Huang D7/317
D533,395 S * 12/2006 Drees et al. D7/378
D537,674 S * 3/2007 Davenport et al. D7/378
D568,088 S * 5/2008 Maxwell D7/319
D577,537 S * 9/2008 Lee D7/386
D638,665 S * 5/2011 Wu D7/665
D642,857 S * 8/2011 Bodum D7/378
D661,547 S * 6/2012 Brinckerhoff et al. D7/413

* cited by examiner

Primary Examiner — Ricky Pham

(74) *Attorney, Agent, or Firm* — Leydig, Voit & Mayer, Ltd.

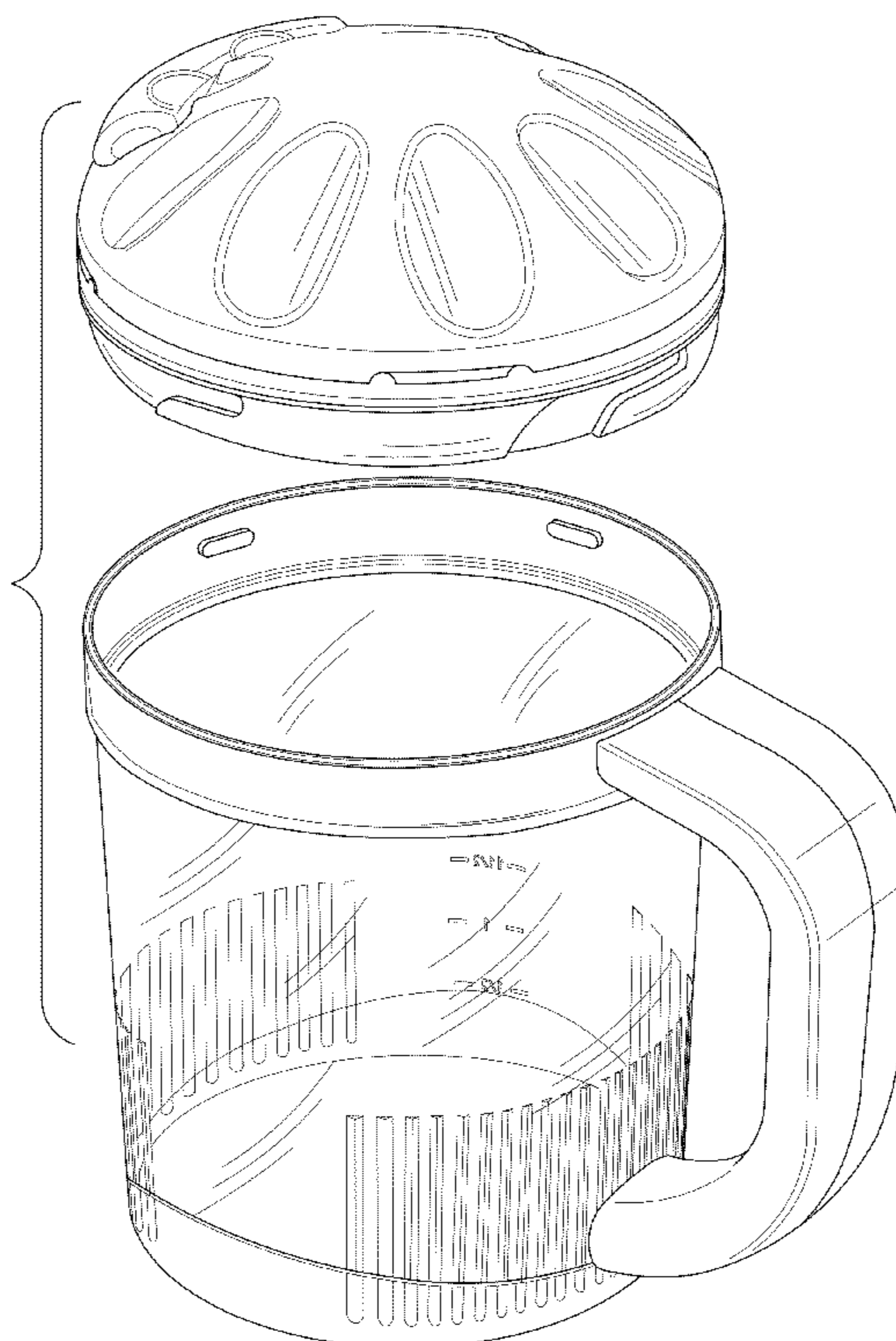
(57) **CLAIM**

The ornamental design for a mixer/cutter pitcher, as shown and described.

DESCRIPTION

FIG. 1 is a rear, right, top-side perspective view of the mixer/cutter pitcher showing my new design;
FIG. 2 is an exploded rear, right, top-side perspective view thereof;
FIG. 3 is a front elevational view thereof;
FIG. 4 is a left side elevational view thereof;
FIG. 5 is a rear elevational view thereof;
FIG. 6 is a top plan view thereof;
FIG. 7 is a bottom plan view thereof; and,
FIG. 8 is a top plan view thereof, shown without the top part of the exploded view for completeness of illustration.

1 Claim, 8 Drawing Sheets



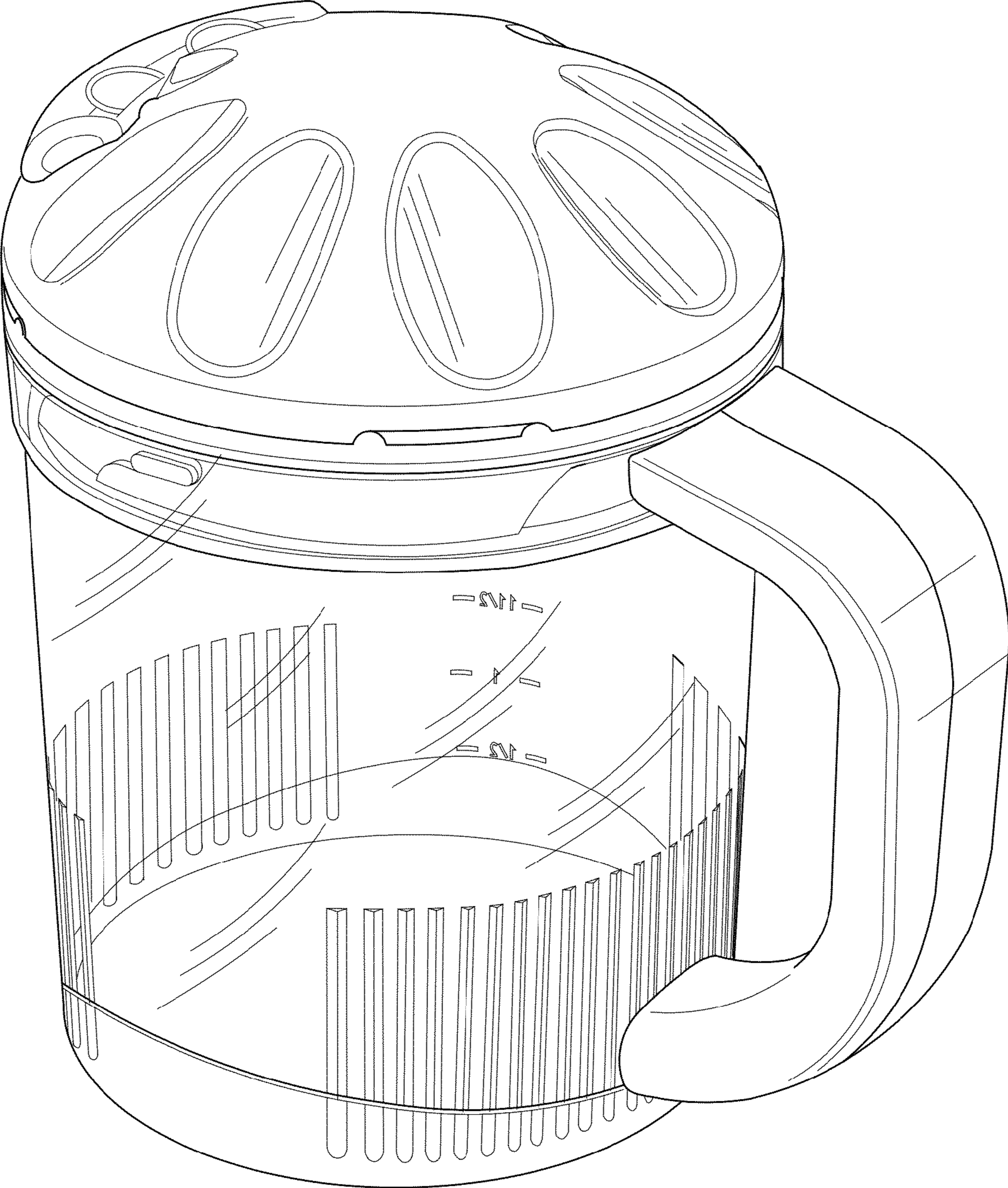


FIG. 1

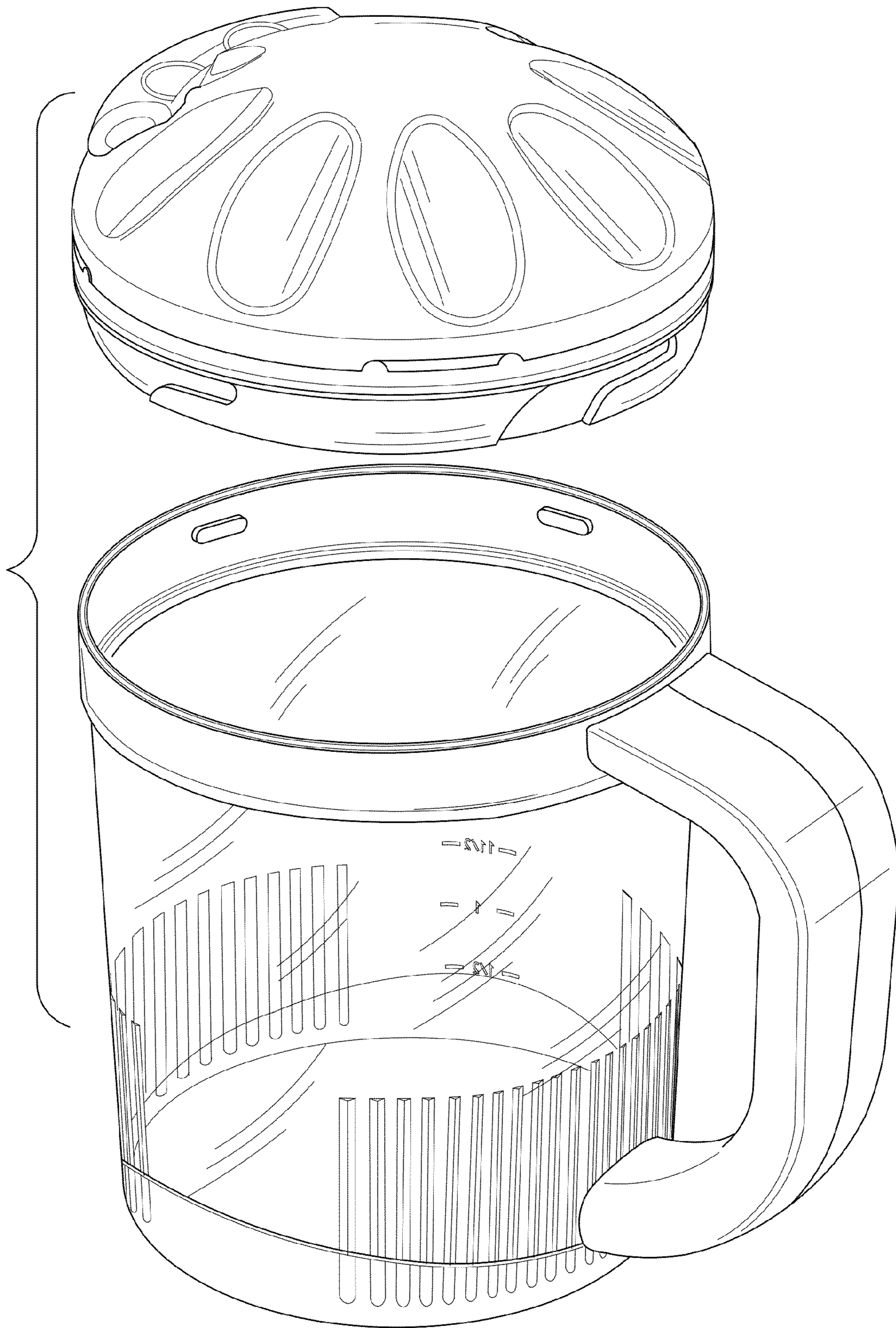


FIG. 2

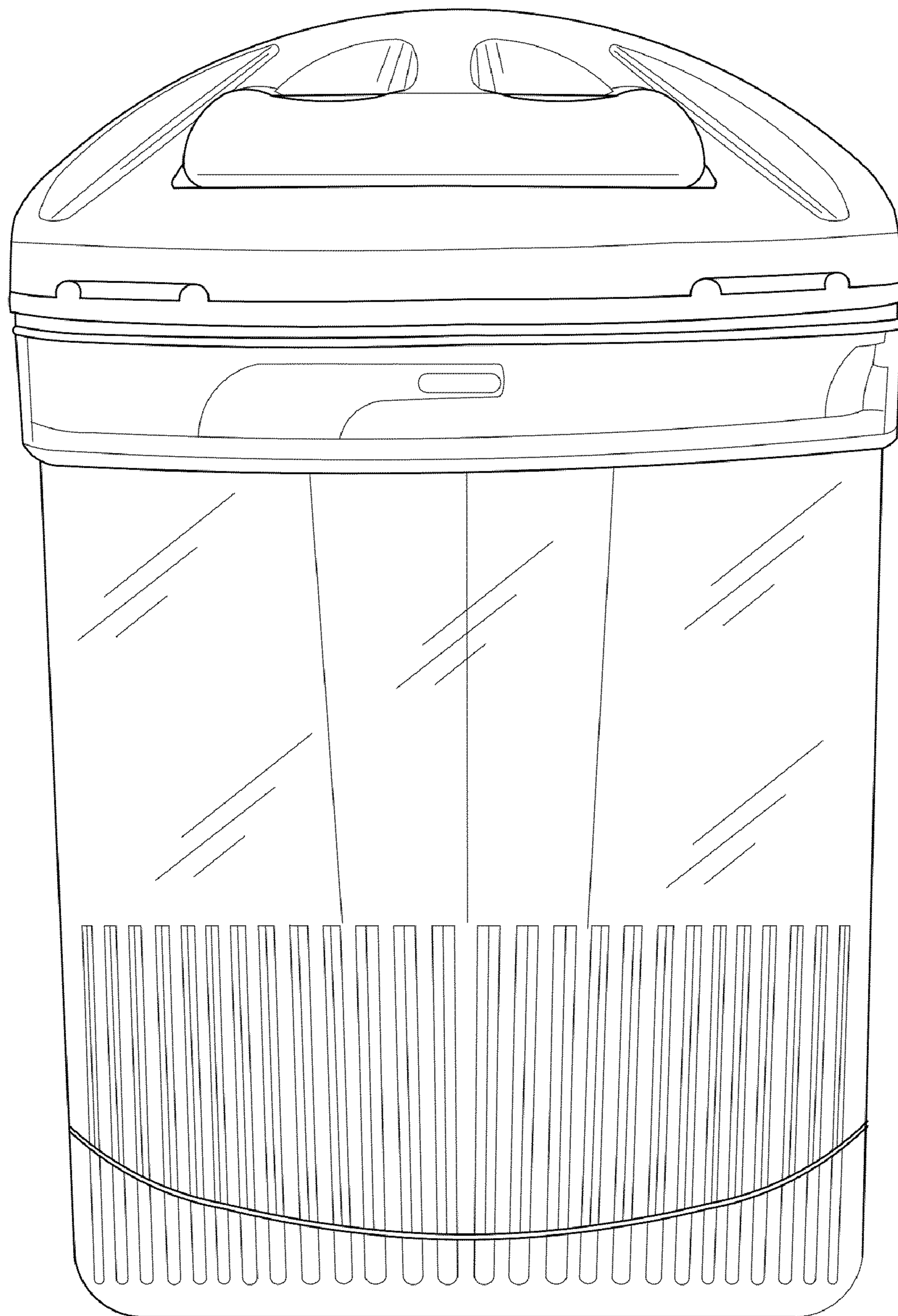


FIG. 3

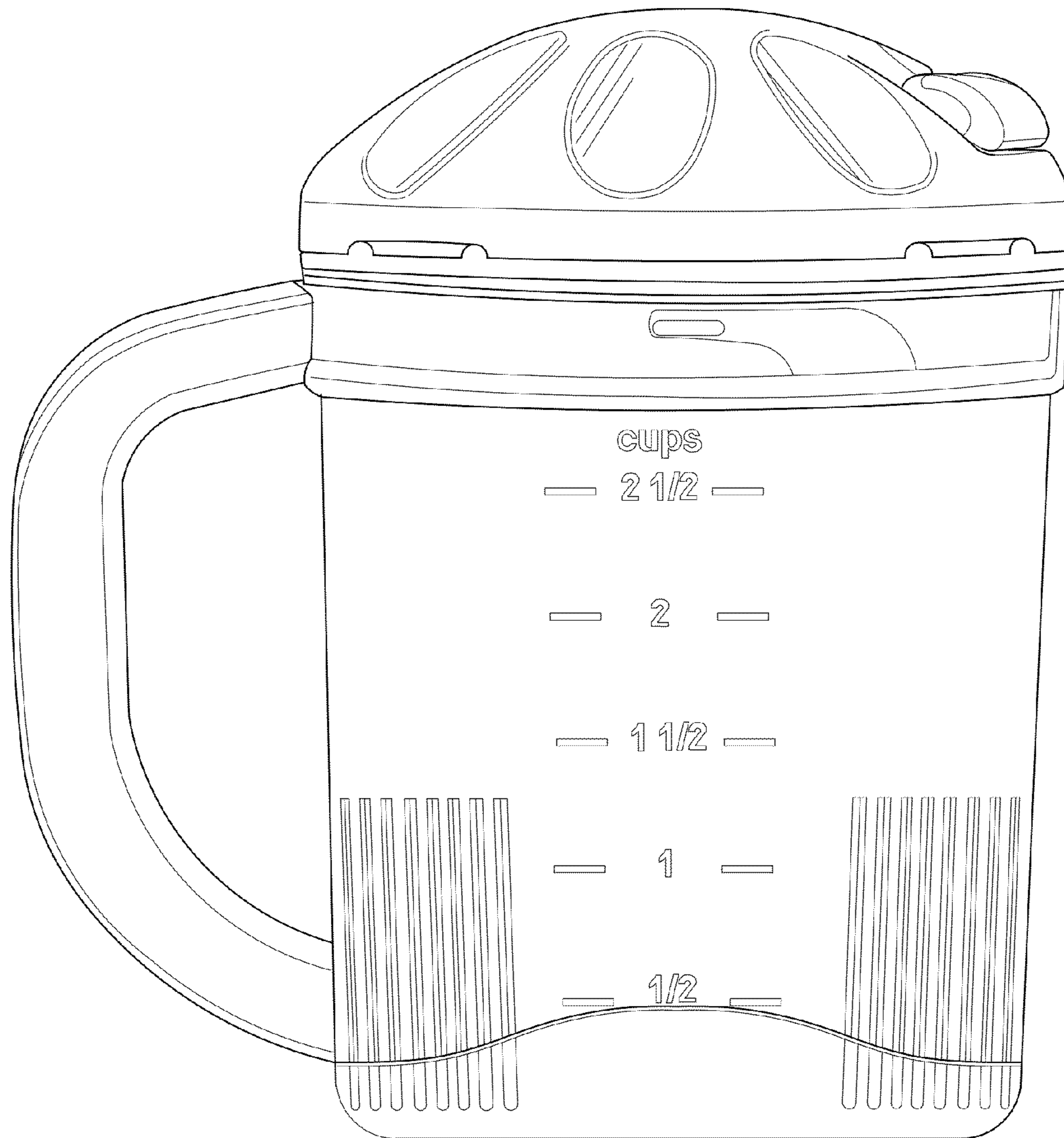


FIG. 4

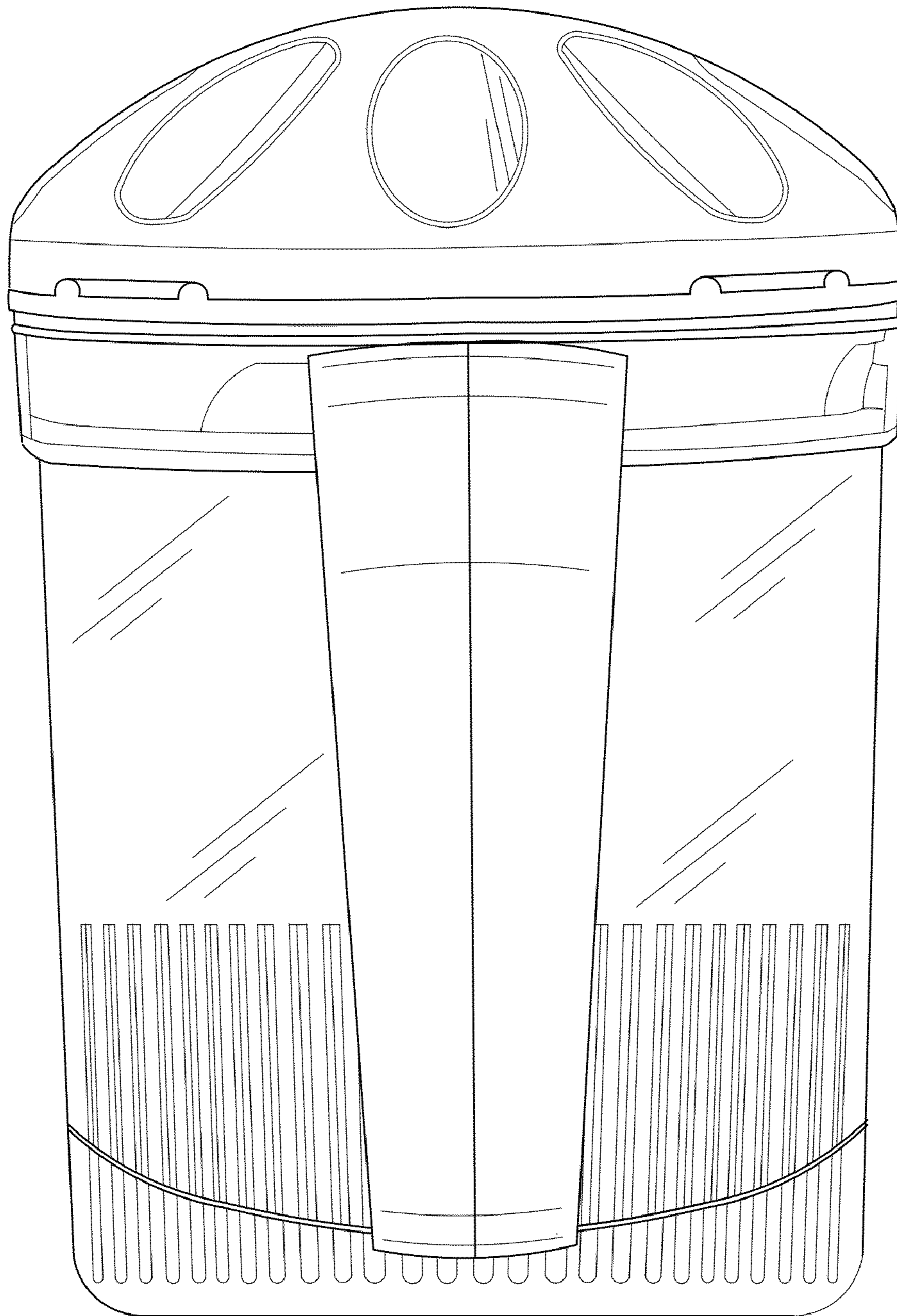


FIG. 5

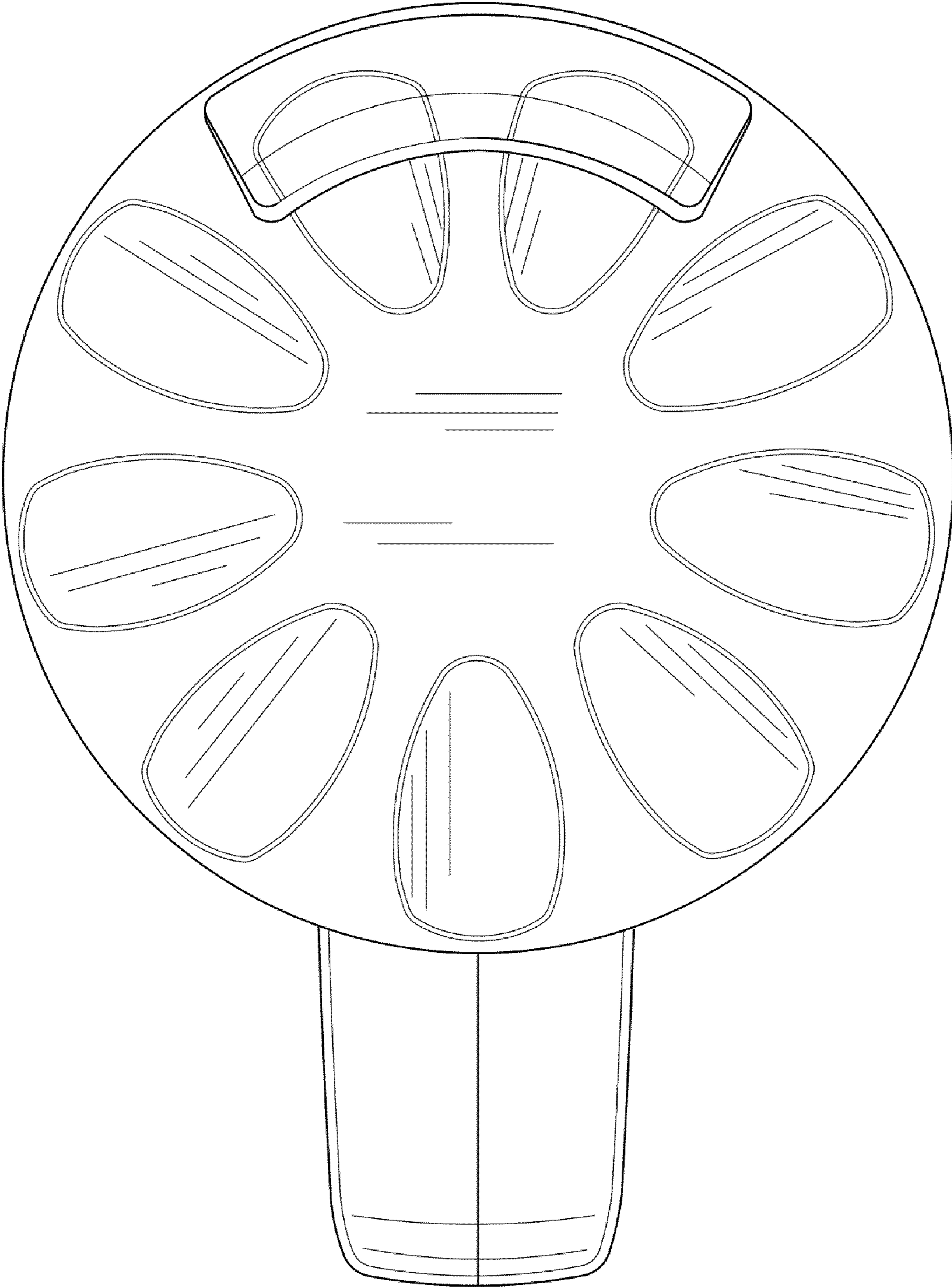


FIG. 6

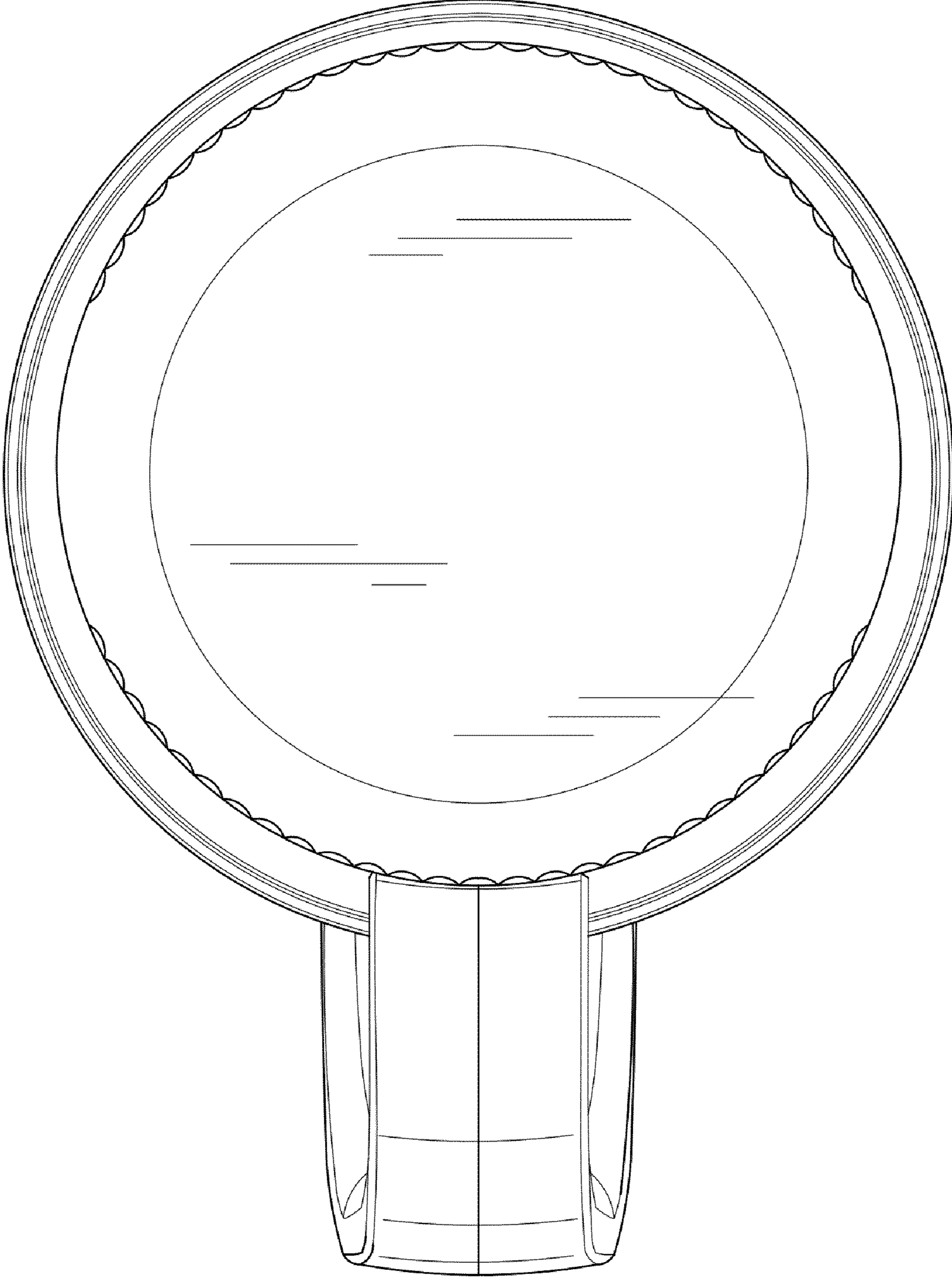


FIG. 7

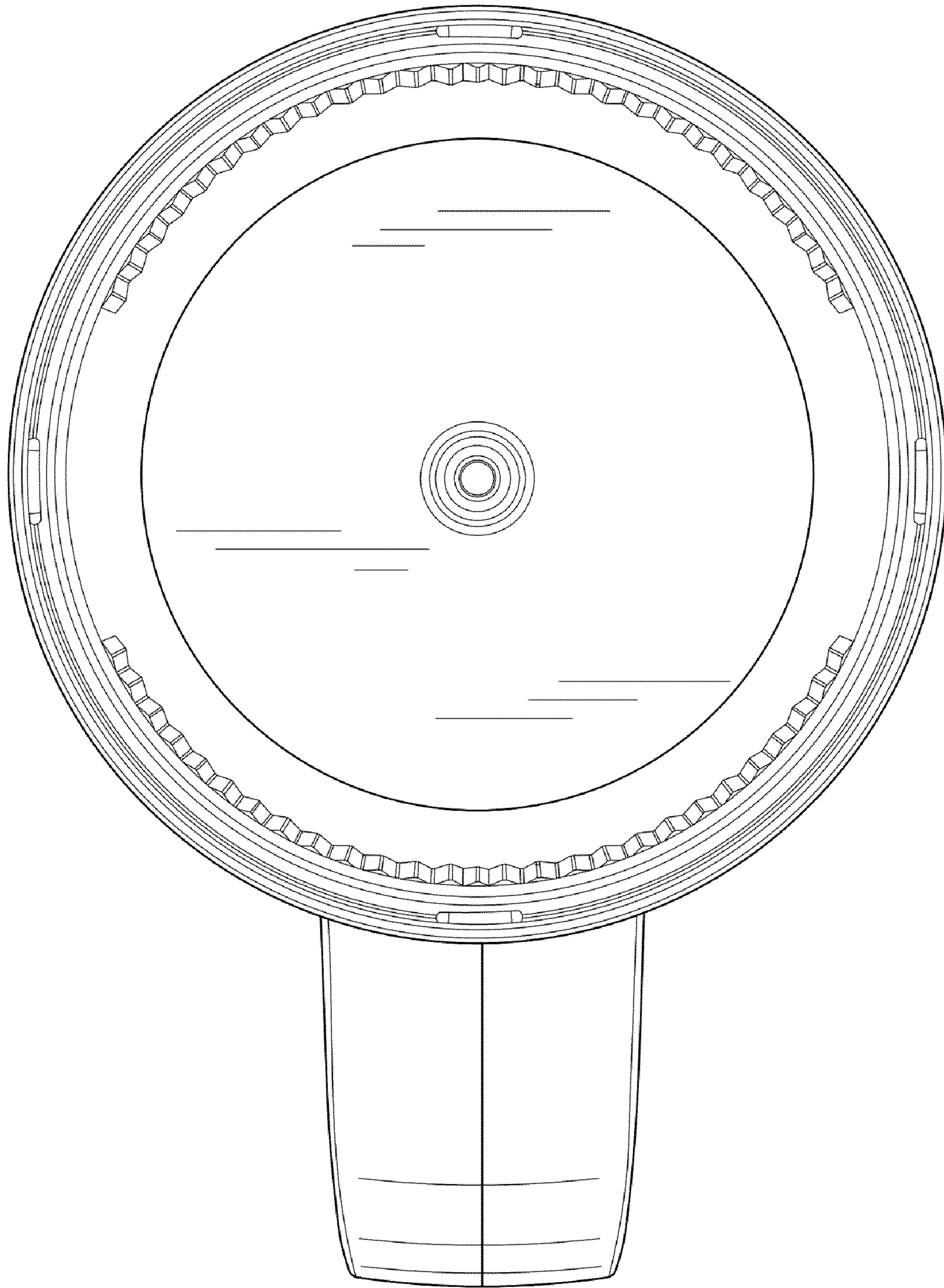


FIG. 8