

US00D679540S

(12) **United States Design Patent**
Eaton

(10) **Patent No.:** **US D679,540 S**

(45) **Date of Patent:** **** Apr. 9, 2013**

(54) **DEVICE FOR PREVENTING CONTACT BETWEEN FOOD AND A FOOD COVERING**

(76) Inventor: **Lori Ann Eaton**, Willet, NY (US)

(**) Term: **14 Years**

(21) Appl. No.: **29/416,540**

(22) Filed: **Mar. 23, 2012**

(51) **LOC (9) Cl.** **07-99**

(52) **U.S. Cl.** **D7/387**; D7/213; D7/683; D8/391

(58) **Field of Classification Search** D7/683, D7/213, 387; 248/161, 316.7; 411/485, 411/923, 444, 371.1, 473, 479, 492; D11/222, D11/207; D8/391, 384; 16/42 R; 250/465.1; 66/117; 403/392, 386

See application file for complete search history.

(56) **References Cited**

U.S. PATENT DOCUMENTS

D18,491 S *	7/1888	Jones	D19/42
861,562 A *	7/1907	Wade	403/392
1,108,209 A *	8/1914	Mitchell et al.	411/80.5
1,142,888 A *	6/1915	Kinzelt	432/66
D51,914 S *	4/1918	Baruch	D11/207
1,306,279 A *	6/1919	Rohland	411/473
1,327,918 A *	1/1920	Kelsey	250/465.1
RE14,810 E *	3/1920	Nestor	411/484
D54,688 S *	3/1920	Schoettel	D3/28
1,395,960 A *	11/1921	Hill	411/484
1,751,800 A *	3/1930	Dickson	411/377
2,040,289 A *	5/1936	Adams	66/117
D101,971 S *	11/1936	Schuster	D8/391
2,266,432 A *	12/1941	Morin et al.	264/161

2,341,403 A *	2/1944	Williams	250/465.1
2,561,522 A *	7/1951	Lobl	66/117
2,602,391 A *	7/1952	Pedranti et al.	99/345
2,712,261 A *	7/1955	Anderson	411/487
2,756,576 A *	7/1956	Woodruff et al.	66/117
3,367,063 A *	2/1968	Bondesen et al.	446/119
3,386,328 A *	6/1968	Litfin	411/485
4,040,325 A *	8/1977	Monacelli	411/444
5,370,487 A *	12/1994	Kracke	411/485
D482,938 S *	12/2003	Renault	D7/683
D502,631 S *	3/2005	Burke	D7/387
D513,573 S *	1/2006	Settele	D7/683
D622,557 S *	8/2010	Kerulis et al.	D7/683
D636,234 S *	4/2011	Lion et al.	D7/683

* cited by examiner

Primary Examiner — Marianne Pandozzi

(74) *Attorney, Agent, or Firm* — Leland D. Schultz; Hinman, Howard & Kattell, LLP

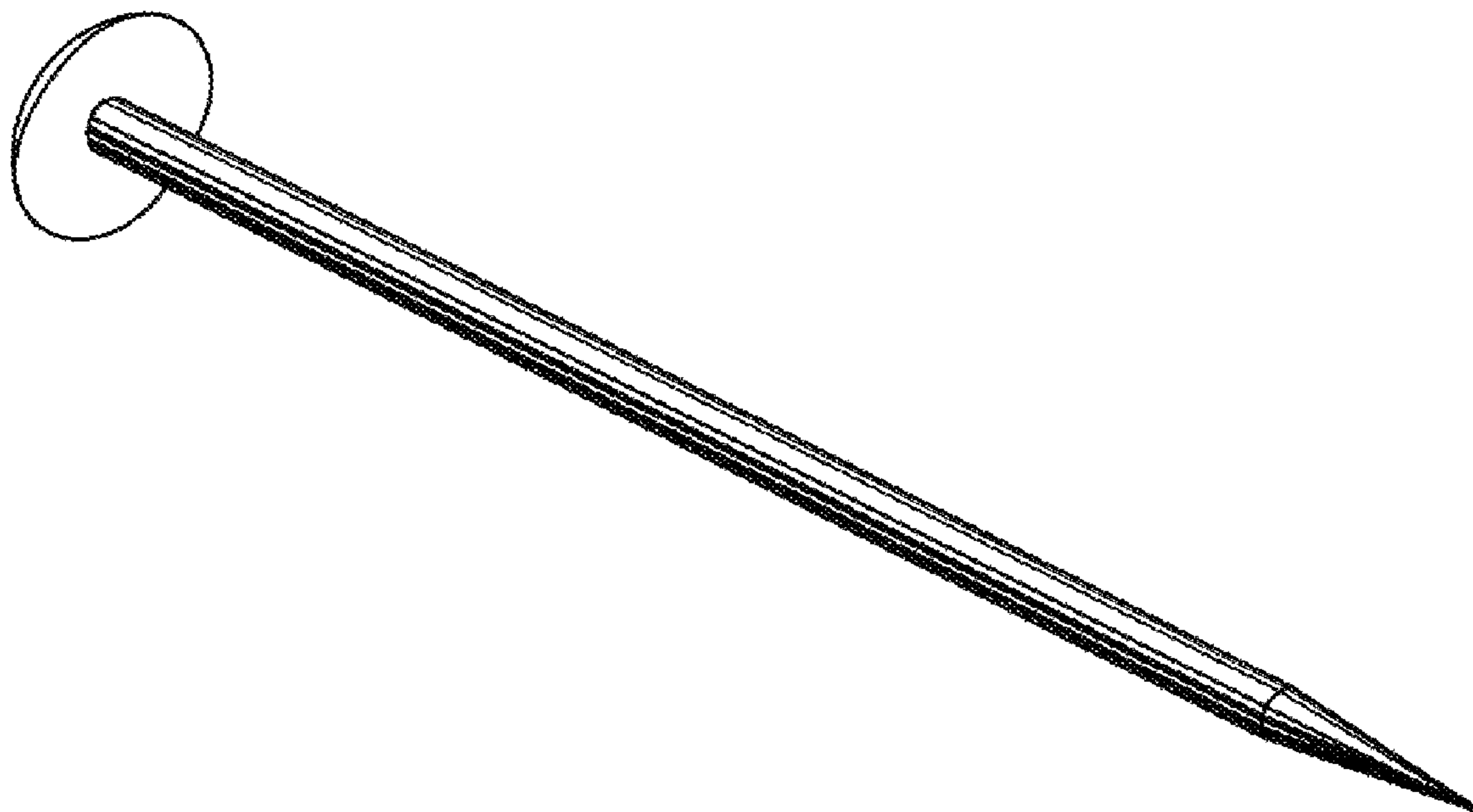
(57) **CLAIM**

The ornamental design for a device for preventing contact between food and a food covering, as shown and described.

DESCRIPTION

FIG. 1 is a perspective view of a device for preventing contact between food and a food covering, showing the new design; FIG. 2 is a front view thereof; FIG. 3 is a rear view thereof; FIG. 4 is a left side view thereof; FIG. 5 is a right side view thereof; FIG. 6 is a top plan view thereof; and, FIG. 7 is a bottom plan view thereof.

1 Claim, 4 Drawing Sheets



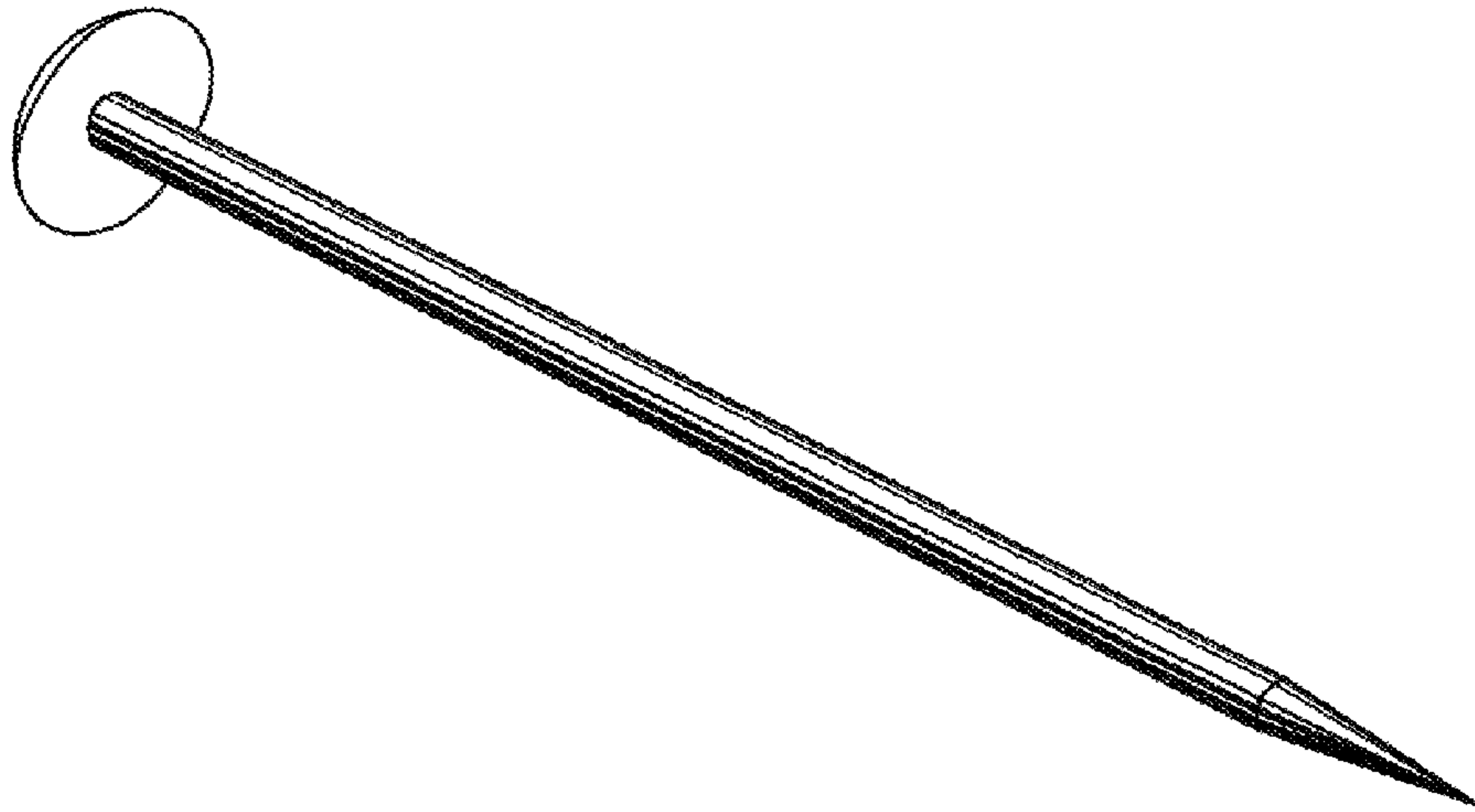


Figure 1

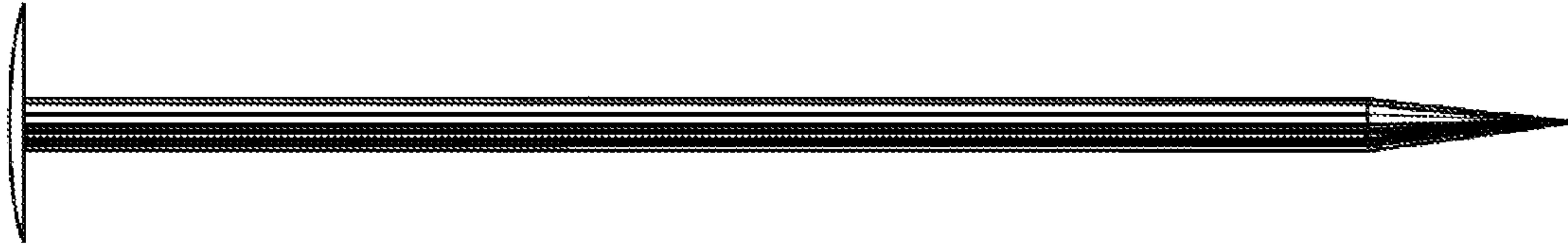


Figure 2

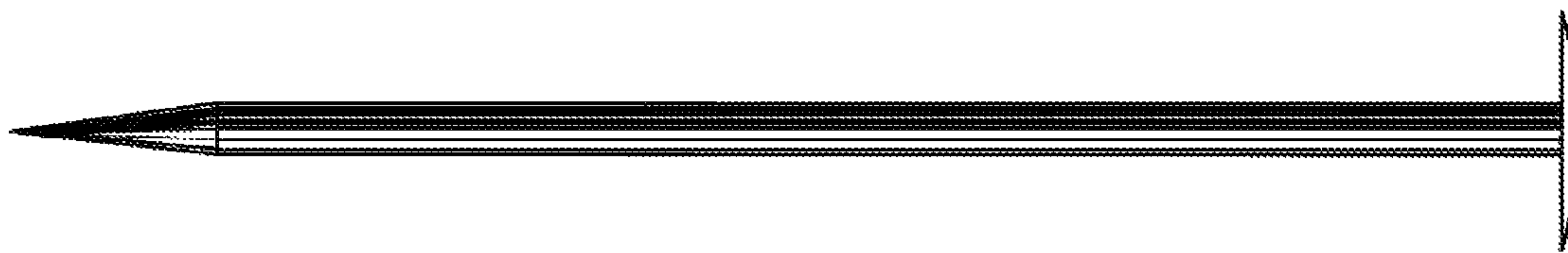


Figure 3

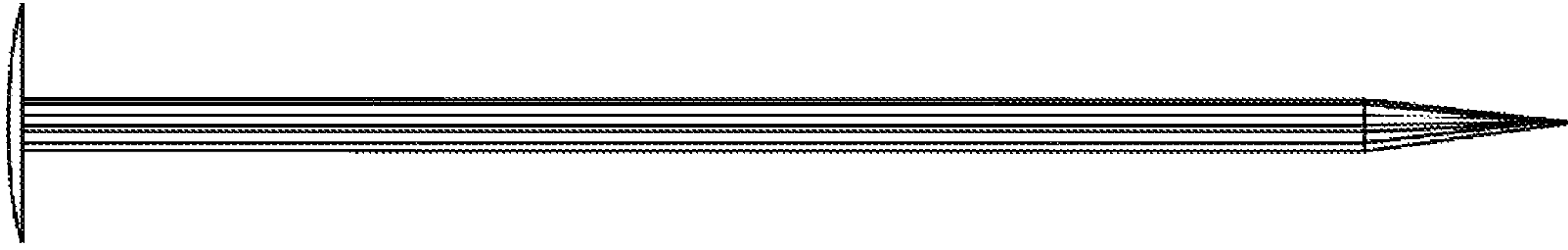


Figure 4



Figure 5

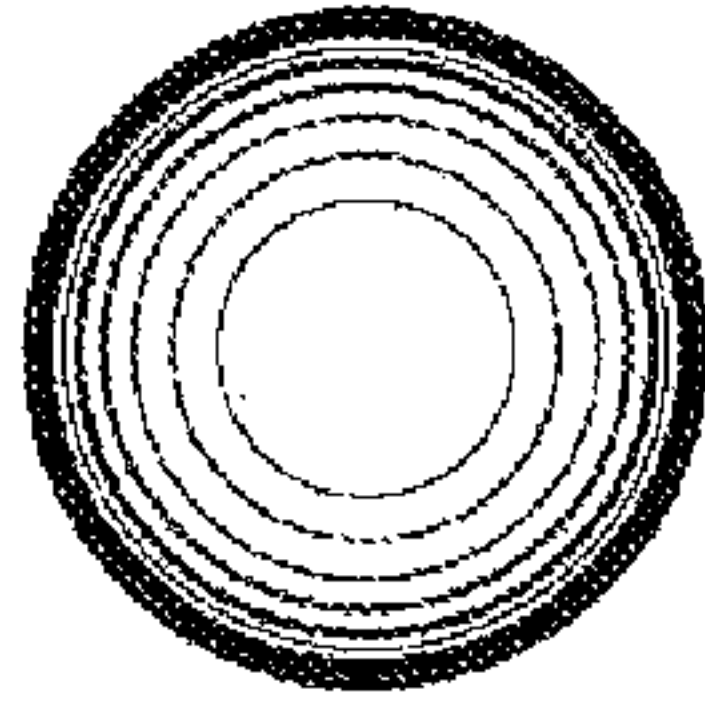


Figure 6

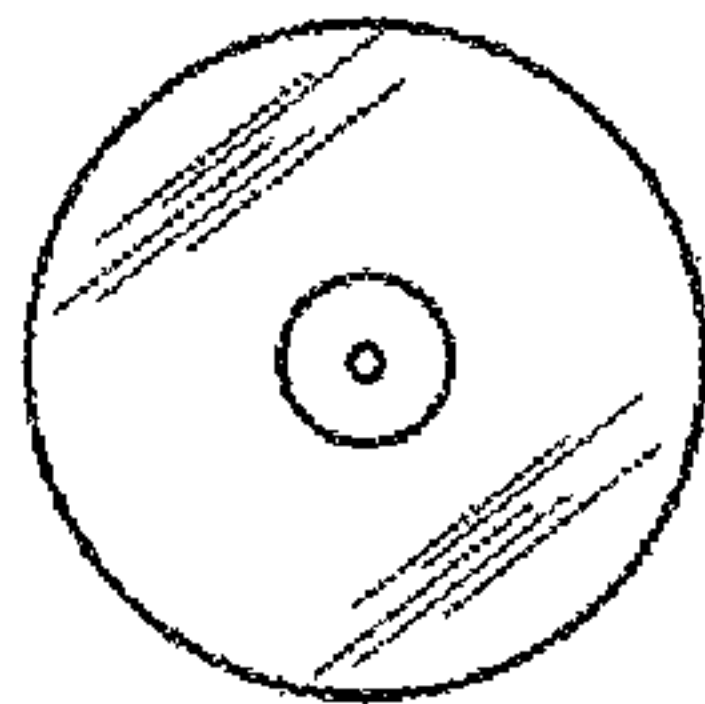


Figure 7