



US00D679539S

(12) **United States Design Patent**
Gonzalez

(10) **Patent No.:** **US D679,539 S**

(45) **Date of Patent:** **** Apr. 9, 2013**

(54) **TORTILLA WARMER**

(76) Inventor: **Ricardo Gonzalez**, Citrus Heights, CA
(US)

(**) Term: **14 Years**

(21) Appl. No.: **29/384,680**

(22) Filed: **Feb. 2, 2011**

(51) **LOC (9) Cl.** **07-02**

(52) **U.S. Cl.**
USPC **D7/350.4**

(58) **Field of Classification Search** D7/368,
D7/550, 362-367, 402-404, 407, 409, 323,
D7/326, 354-357, 361, 602, 605, 701, 703,
D7/706, 709; 99/DIG. 14, 422; 219/730,
219/759, 443, 458-459

See application file for complete search history.

(56) **References Cited**

U.S. PATENT DOCUMENTS

2,182,682 A 12/1939 Shroyer
2,864,932 A 12/1958 Forrer

(Continued)

FOREIGN PATENT DOCUMENTS

DE 202004001460 U1 5/2004
EP 1252848 A3 1/2004

(Continued)

OTHER PUBLICATIONS

Google Search #1 downloaded on Jul. 16, 2009 <http://www.zesco.com/products.cfm?subCatID=2519&PGroup1D=040708AZ01>.

(Continued)

Primary Examiner — T. Chase Nelson

Assistant Examiner — Michelle E Wilson

(74) *Attorney, Agent, or Firm* — Russ Weinzimmer & Associates P.C.

(57) **CLAIM**

The ornamental design for a tortilla warmer, as shown and described.

DESCRIPTION

FIG. 1 is a top oblique view of a left side of a tortilla warmer as viewed from above, also showing a top surface of the housing including a top view window and a control panel, and also showing a far surface of the housing including a door, and a handle of a tortilla cartridge protruding from the door.

FIG. 2 is a bottom oblique view of the left side of the tortilla warmer of FIG. 1.

FIG. 3 is another top oblique view of the left side of the tortilla warmer of FIG. 1.

FIG. 4 is a top oblique view of the right side of the tortilla warmer of FIG. 1 as viewed from above, also showing the handle of the cartridge protruding from the door opening, with the door being open. A slot is also shown, which warmed tortillas can be ejected from the tortilla warmer;

FIG. 5 is another oblique view showing the left side of the tortilla warmer of FIG. 1, showing the door slid open to reveal the tortilla cartridge, with the handle protruding from the side of the cartridge.

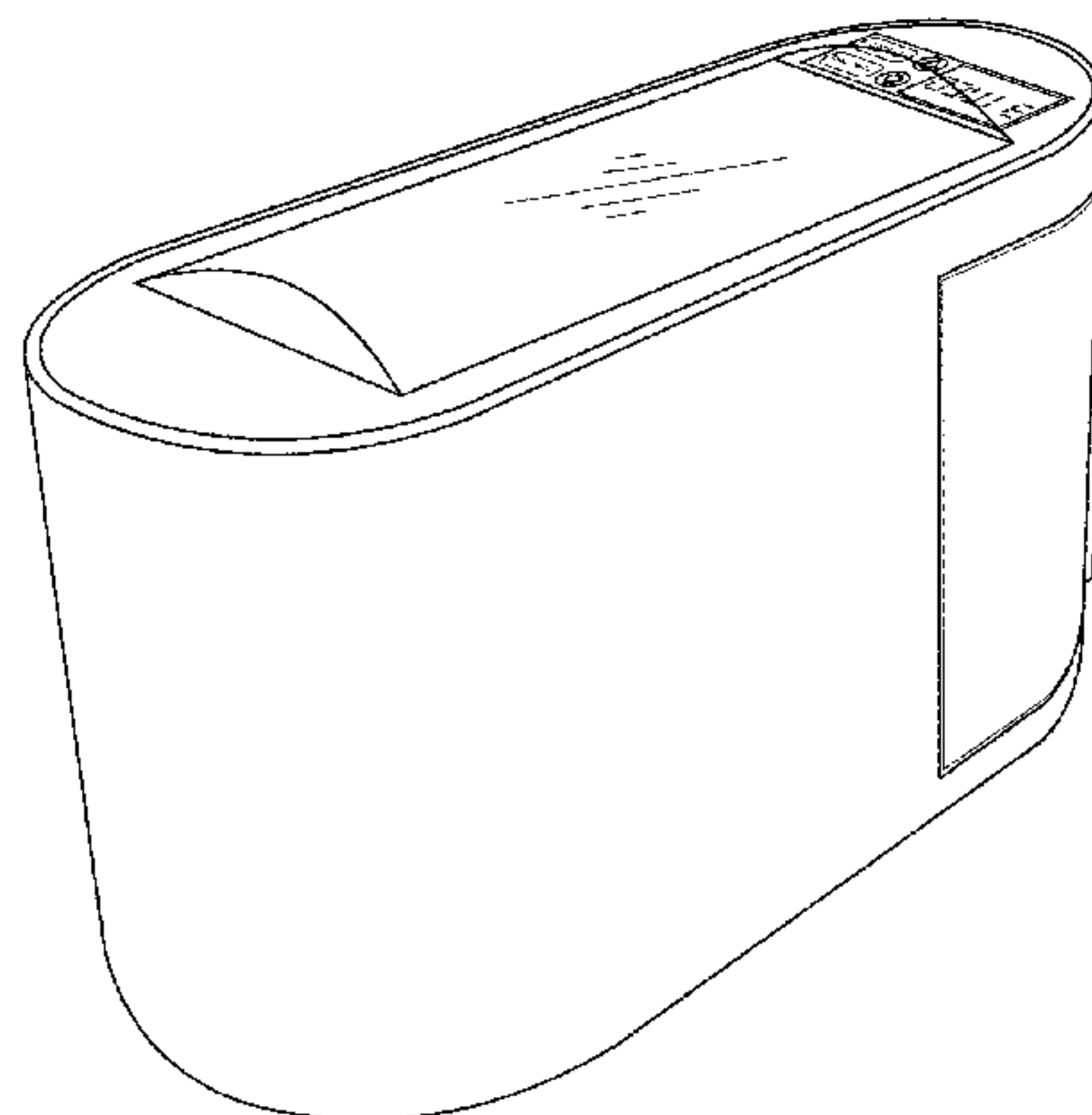
FIG. 6 is a view of the front side of the tortilla warmer, showing the door opened to reveal the tortilla cartridge, and showing the handle of the tortilla cartridge protruding towards the viewer, and a notch in the door for accommodating the cartridge handle, when the door is closed.

FIG. 7 is a top oblique view of the tortilla warmer with the door opened so as to reveal the tortilla cartridge, FIG. 7 also showing the top view window and control panel; and,

FIG. 8 is an oblique view of the bottom side of the tortilla warmer, with the door opened to reveal the tortilla cartridge, FIG. 8 also showing the a slot through which warmed tortillas can be ejected from of the tortilla warmer.

The tortilla warmer is for warming tortillas, for use in preparing such food items as soft or medium tortillas, or tostadas. The tortilla warmer has a housing, which includes a top side, a bottom side, a front side, a rear side, and left and right sides. The top side of the tortilla warmer housing includes a top view window, and a control panel for controlling aspects of the tortilla warming system. The front side of the housing includes a door which can be opened to allow a tortilla cartridge to be inserted into the tortilla warmer housing. Tortillas can be fed from the tortilla cartridge into a warming subsystem of the tortilla warmer. The tortilla warmer housing also includes a slot through which warmed tortillas can be ejected from the tortilla warmer. The bottom of the tortilla warmer housing is a flat surface without any ornamentation.

1 Claim, 8 Drawing Sheets



US D679,539 S

Page 2

U.S. PATENT DOCUMENTS

3,740,513	A	6/1973	Peters, Jr. et al.	
4,013,869	A	3/1977	Orts	
4,147,924	A	4/1979	DeWitt, Jr.	
D258,106	S *	2/1981	Vieceli	D7/354
4,452,132	A *	6/1984	Miller et al.	99/483
D279,854	S *	7/1985	Miller et al.	D7/361
D280,879	S *	10/1985	Infante	D7/354
4,617,908	A *	10/1986	Miller et al.	126/20
4,769,252	A	9/1988	Escamilla	
4,782,745	A	11/1988	George, Jr.	
4,987,827	A	1/1991	Marquez	
5,036,179	A	7/1991	Westerberg et al.	
5,123,178	A	6/1992	Stein	
D339,713	S *	9/1993	Gueringer	D7/354
D347,356	S *	5/1994	Yim	D7/360
D348,377	S *	7/1994	Douglas	D7/538
5,535,664	A	7/1996	Rokowski	
5,584,231	A	12/1996	DeLeon	
5,676,051	A	10/1997	Sinemus	
5,765,471	A	6/1998	Monard	
D414,372	S *	9/1999	Fullmer	D7/323
5,948,301	A	9/1999	Liebermann	
D436,797	S	1/2001	Huang et al.	
D442,423	S	5/2001	Monard	
6,268,592	B1	7/2001	Hu et al.	
6,373,030	B1	4/2002	Waldrep	
6,838,644	B1	1/2005	Chung-Ting	
6,909,070	B2 *	6/2005	Veltrop et al.	219/401
7,012,218	B2	3/2006	Flinn	
7,094,991	B2	8/2006	Naranjo et al.	
7,222,563	B2 *	5/2007	Reckert et al.	99/330
7,235,762	B2	6/2007	Gagas et al.	
7,328,654	B2 *	2/2008	Shei	99/468
7,495,196	B2	2/2009	Groll	
2002/0152898	A1	10/2002	DuBois et al.	
2003/0052117	A1	3/2003	Iniestra Hernandez	

2005/0006375	A1	1/2005	Naranjo et al.
2006/0185527	A1	8/2006	Shei
2006/0289426	A1	12/2006	Naranjo et al.
2007/0034096	A1	2/2007	Axinte et al.
2007/0272676	A1	11/2007	Zougou et al.
2008/0282903	A1	11/2008	Gonzalez

FOREIGN PATENT DOCUMENTS

EP	1739358	A1	1/2007
WO	0065970		11/2000
WO	2005034697	A1	4/2005
WO	2006040540	A1	4/2006

OTHER PUBLICATIONS

Google Search #2 downloaded on Jul. 16, 2009 <http://www.zesco.com/products.cfm?subCatID=2519&PGroupID=ZP99092003>.

Google Search #3 downloaded on Jul. 16, 2009 <http://www.zesco.com/products.cfm?subCatID=1818&PGroupID=050831SS03>.

Google Search #4 downloaded on Jul. 16, 2009 <http://www.bigtray.com/vollrath-heat-n-serve-food-warmer-72050-sku-vol72050-c-13130.html>.

Google Search #5 downloaded on Jul. 16, 2009 <http://www.restaurantequipment.com/STAR1HOTDOG.htm>.

Google Search #6 downloaded on Jul. 16, 2009 http://cgi.ebay.com/my/Elite-Cuisine-Pizzelle-Maker-Flatbread-Tortilla-Warmer_W0QQcmdZViewItemQQitemZ120388470195.

Google Search #7 downloaded on Jul. 16, 2009 <http://www.cooking.com/products/shprodde.asp?SKU=193716>.

Google Search #8 downloaded on Jul. 16, 2009 <http://www.cooking.com/products/shprodde.asp?SKU=392776>.

Google Search #9 downloaded on Jul. 16, 2009 <http://www.kitchengadgets.com/kitchen/gadgets/star-tortilla-grill-tg1-p-6664.html>.

* cited by examiner

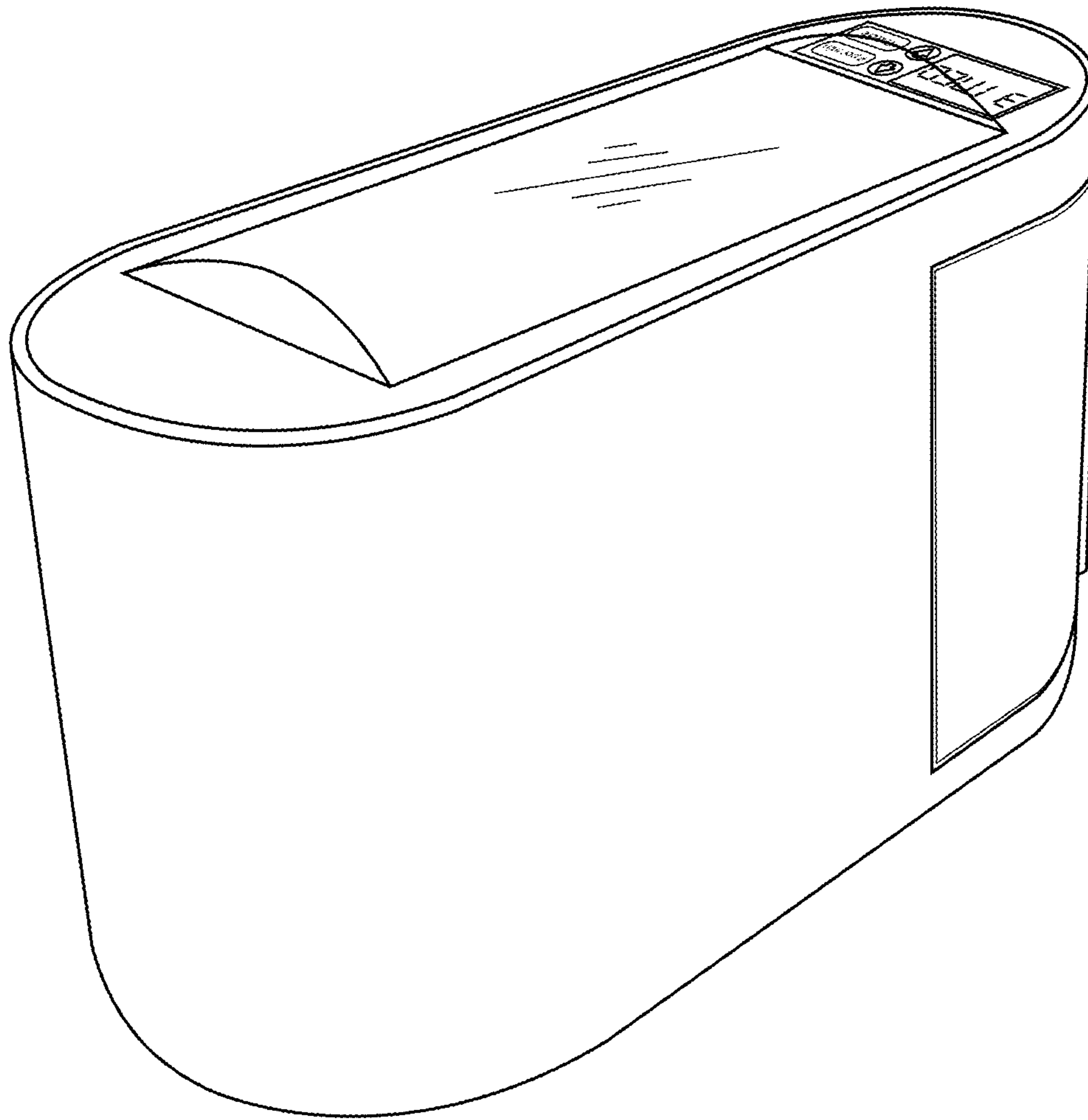


FIG. 1

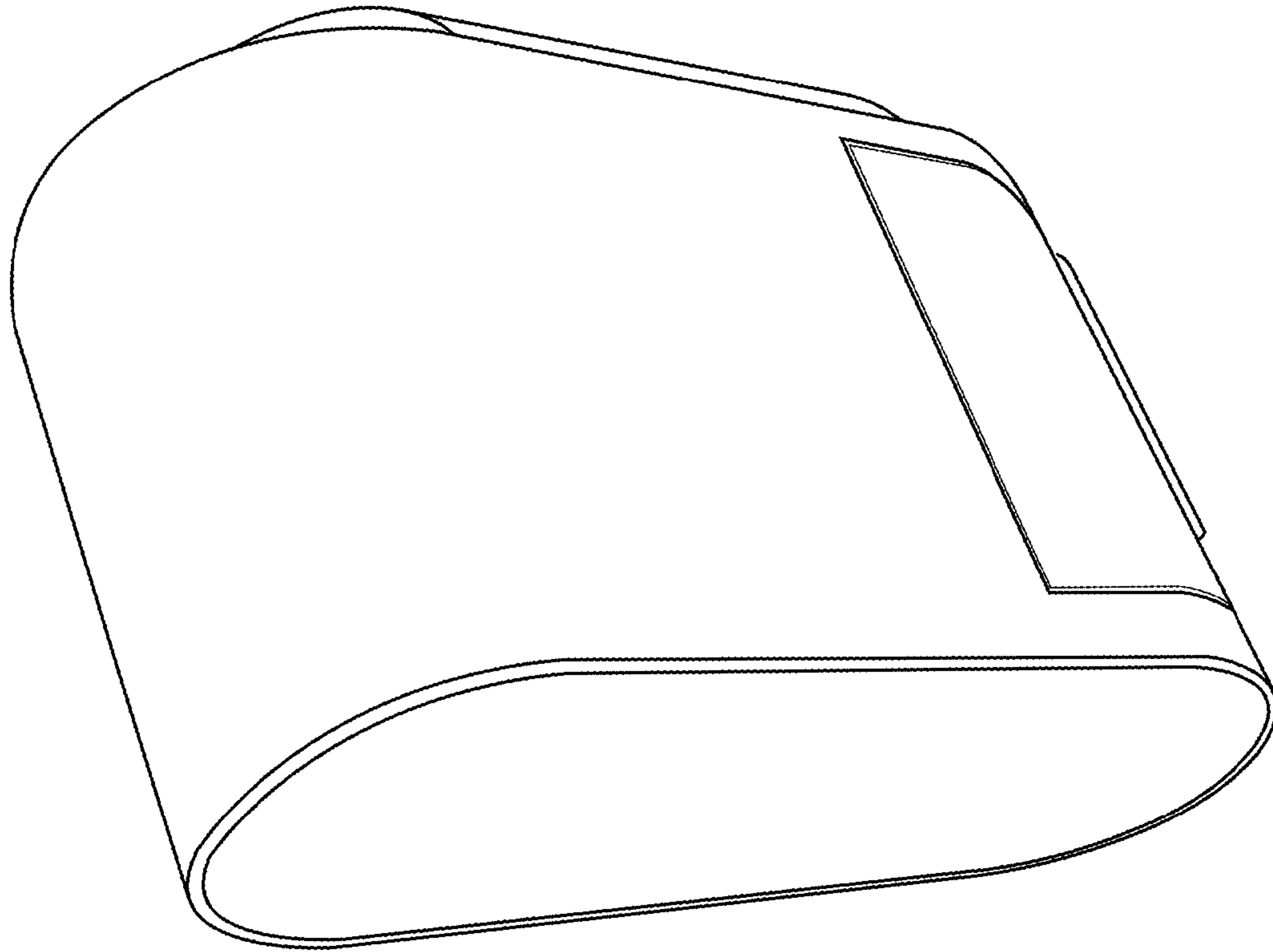


FIG. 2

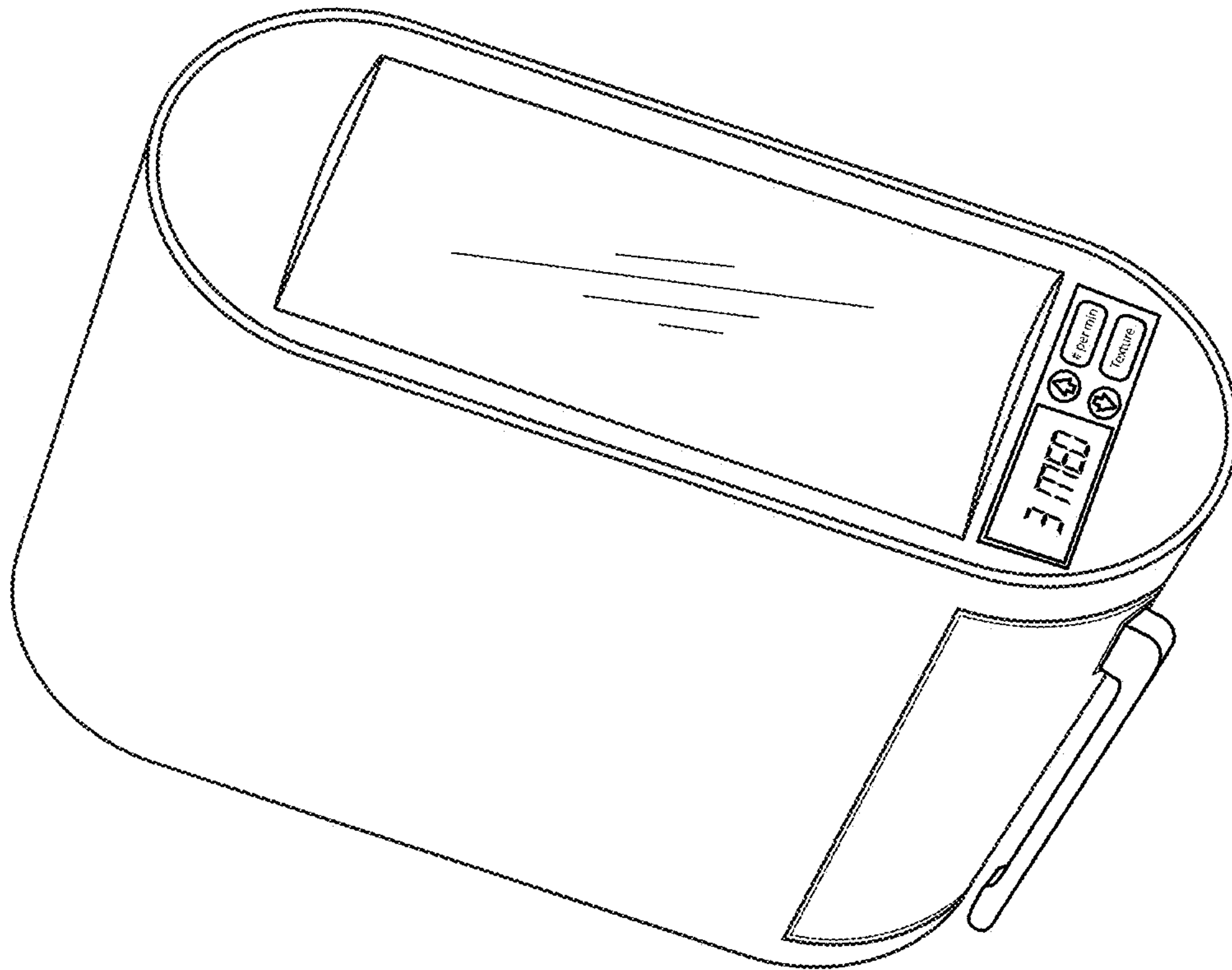


FIG. 3

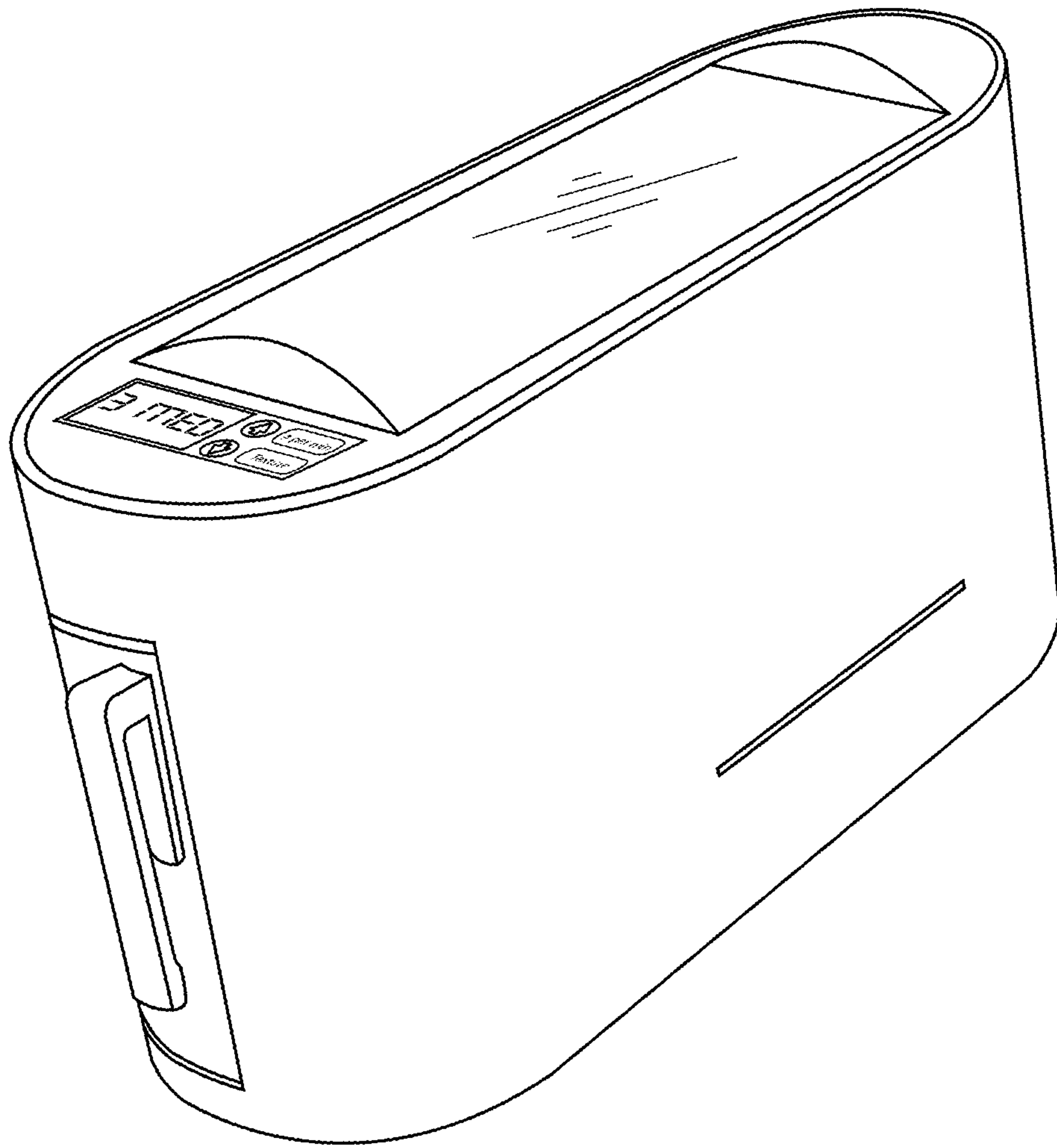


FIG. 4

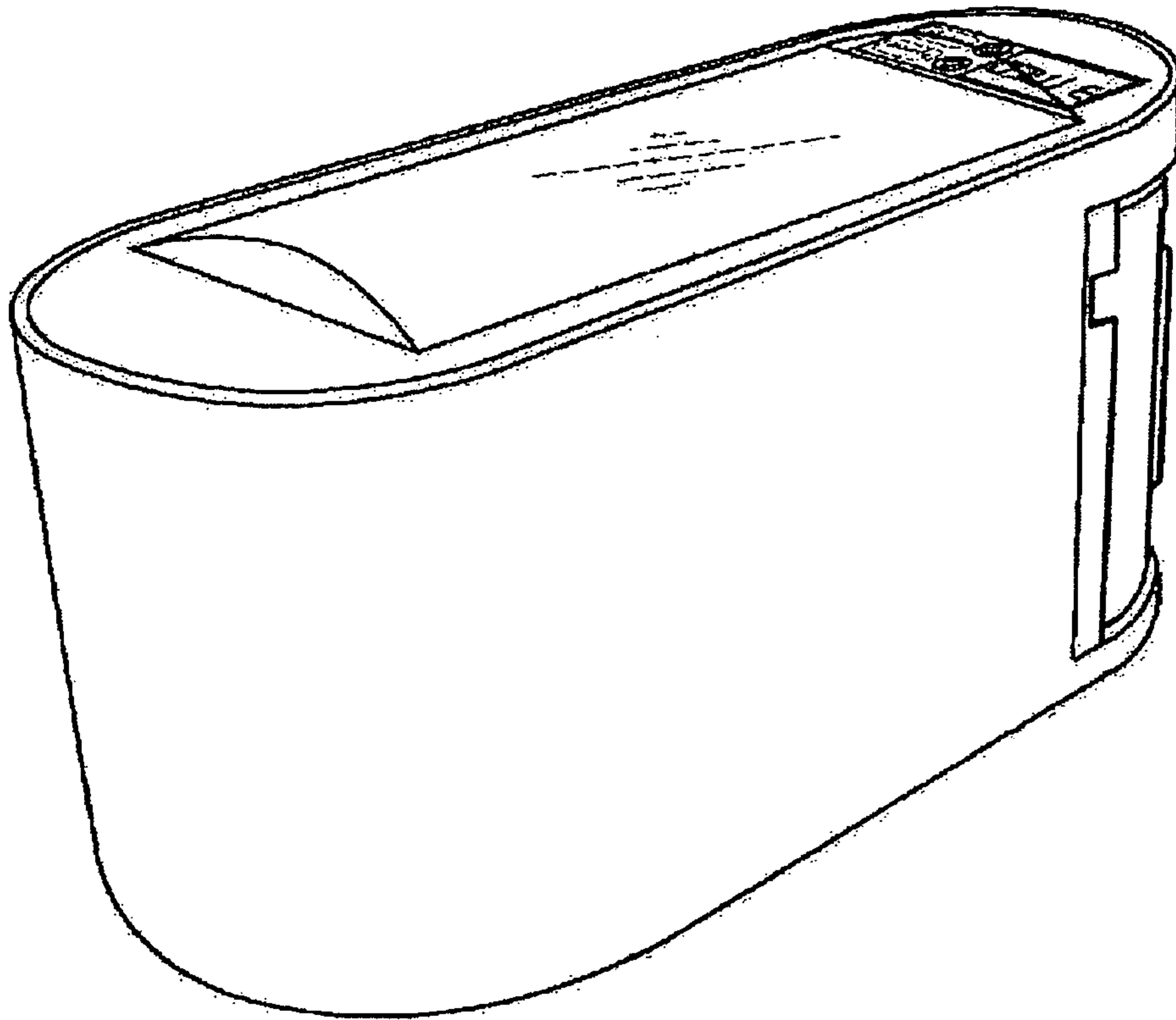


FIG. 5

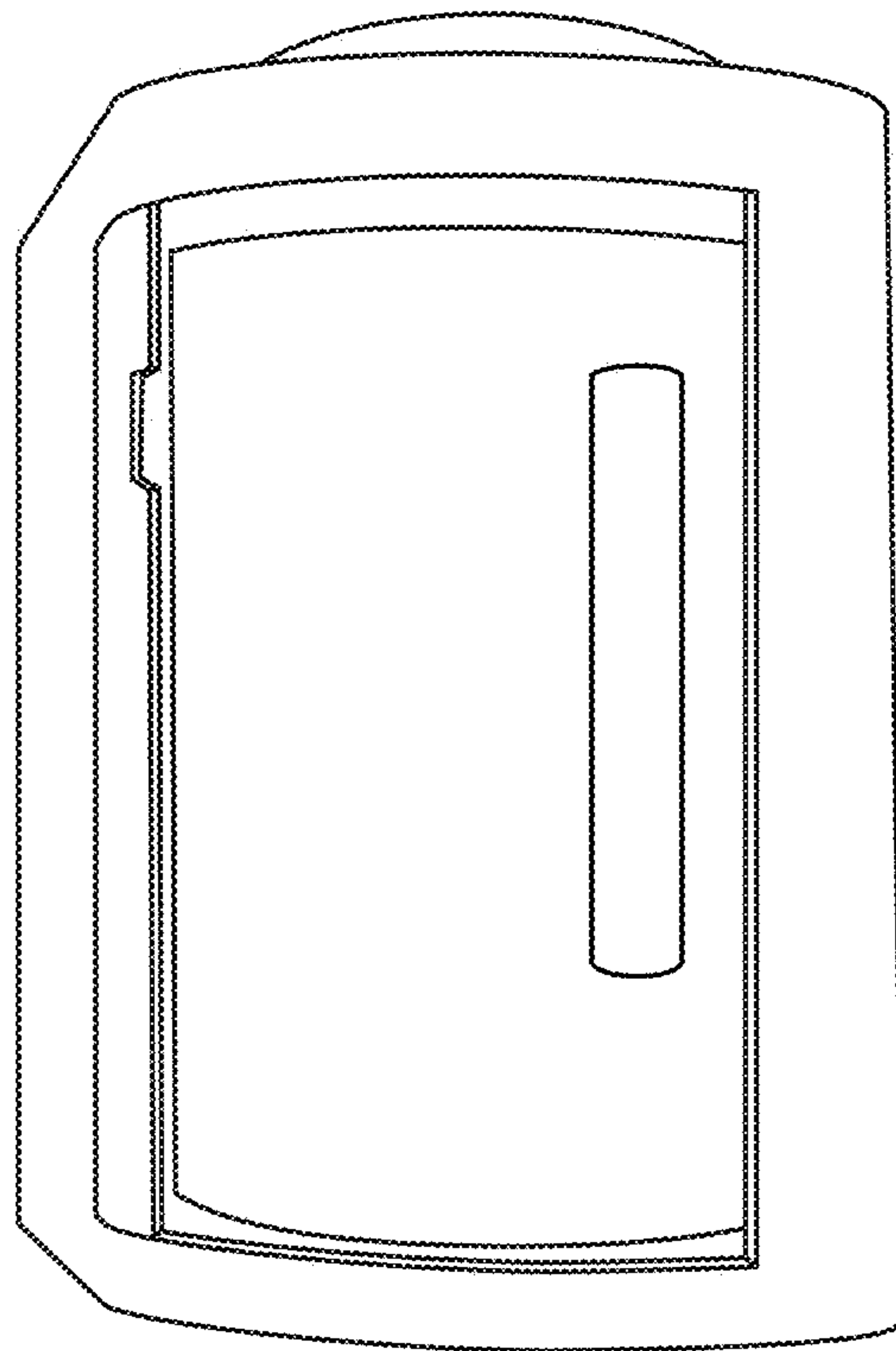


FIG. 6

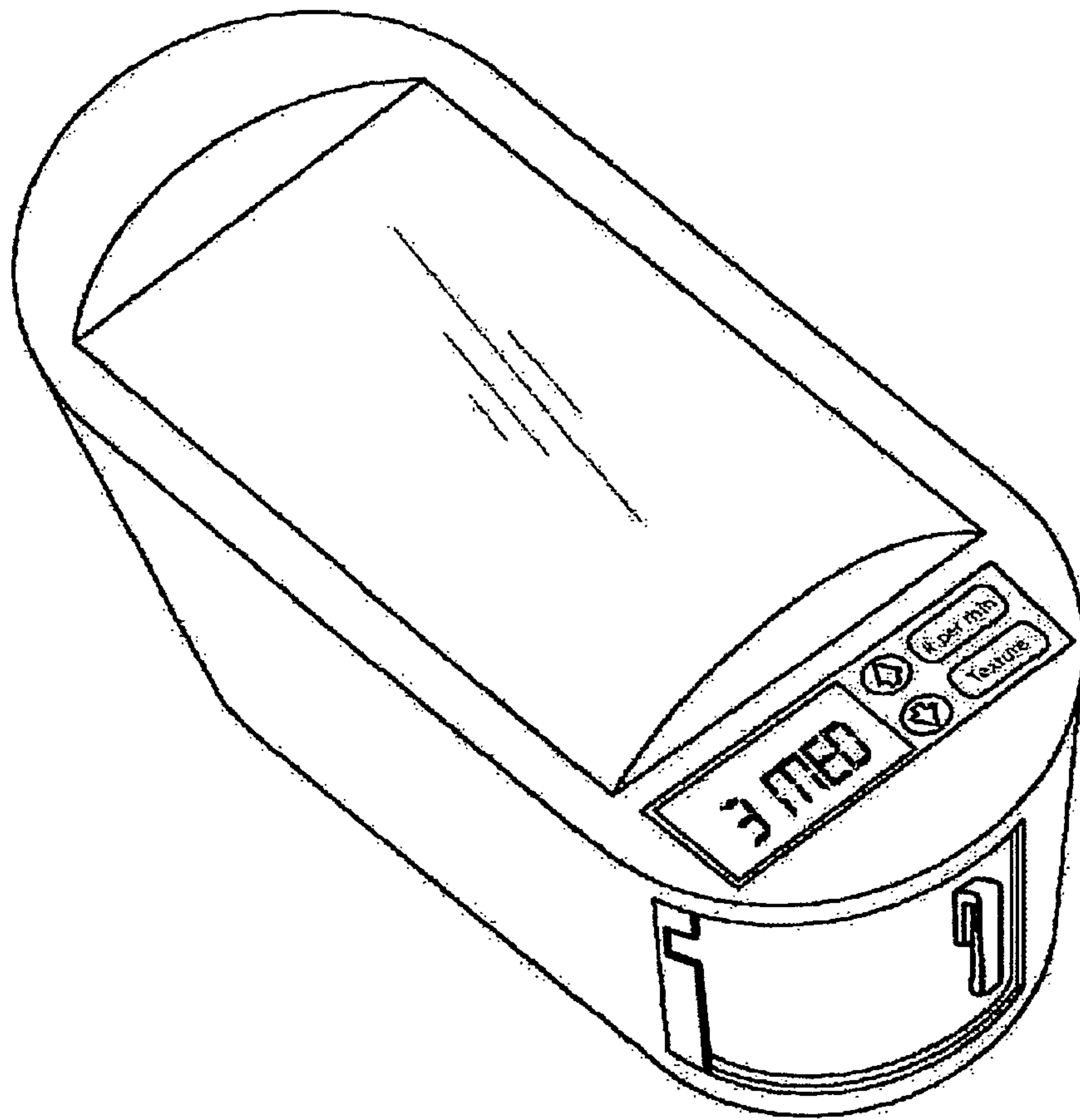


FIG. 7

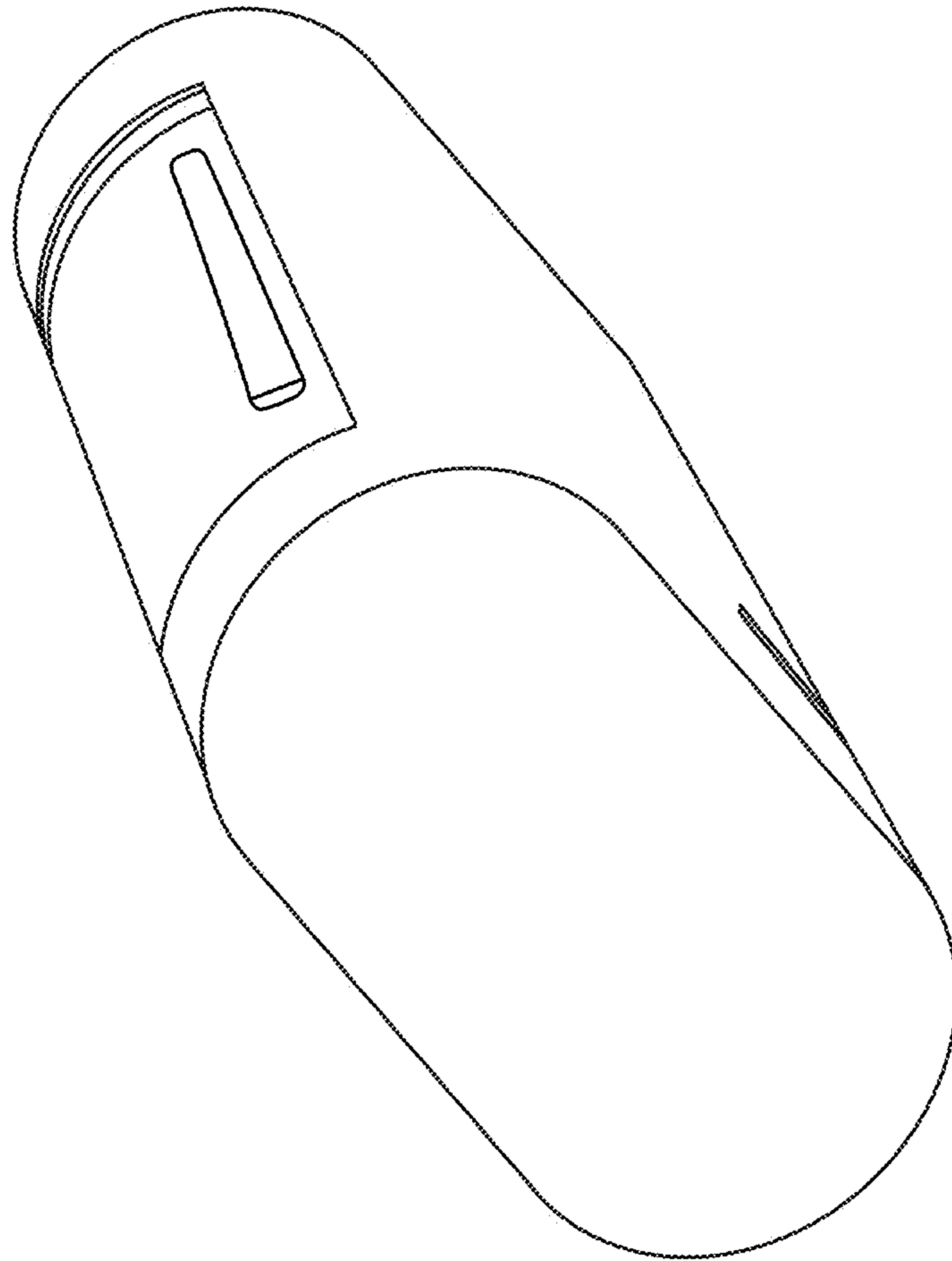


FIG. 8