



US00D679537S

(12) **United States Design Patent**
Muspratt-Williams et al.

(10) **Patent No.:** **US D679,537 S**

(45) **Date of Patent:** **** Apr. 9, 2013**

(54) **TEAPOT**

(75) Inventors: **Alex Muspratt-Williams**, Orlando, FL
(US); **Jan-Hendrik de Groot**e, Brussels
(BE)

(73) Assignee: **Dart Industries Inc.**, Orlando, FL (US)

(**) Term: **14 Years**

(21) Appl. No.: **29/395,310**

(22) Filed: **Dec. 29, 2011**

(51) **LOC (9) Cl.** **07-01**

(52) **U.S. Cl.**

USPC **D7/319; D7/317; D7/322**

(58) **Field of Classification Search** D7/317-319,
D7/321, 322, 507, 598, 600, 320, 312; 222/475,
222/1; 99/282

See application file for complete search history.

(56) **References Cited**

U.S. PATENT DOCUMENTS

D160,177 S	9/1950	Kirman	
D185,054 S *	4/1959	Winans	D7/321
D219,057 S *	10/1970	Gulotta	D7/317
D288,890 S *	3/1987	Lebowitz	D7/322
D323,951 S	2/1992	Inoue	
D342,416 S	12/1993	Morgan	
D363,409 S	10/1995	Huang	

D380,336 S *	7/1997	Zive	D7/321
D394,981 S	6/1998	Huang	
D395,576 S	6/1998	Huang	
D454,275 S	3/2002	Lillelund et al.	
D486,989 S *	2/2004	Bodum	D7/321
D495,193 S *	8/2004	Moore et al.	D7/321
D528,345 S *	9/2006	Smaldone	D7/322
D558,509 S *	1/2008	Bodum	D7/321
D573,397 S *	7/2008	Smaldone	D7/322

OTHER PUBLICATIONS

Finum® Tea Control 0.8, Reinsch & Held GmbH & Co. KG; 2011.
WMF Teatimer; WMF Aktiengesellschaft; 2011.

* cited by examiner

Primary Examiner — Marianne Pandozzi

(74) *Attorney, Agent, or Firm* — John A. Doninger

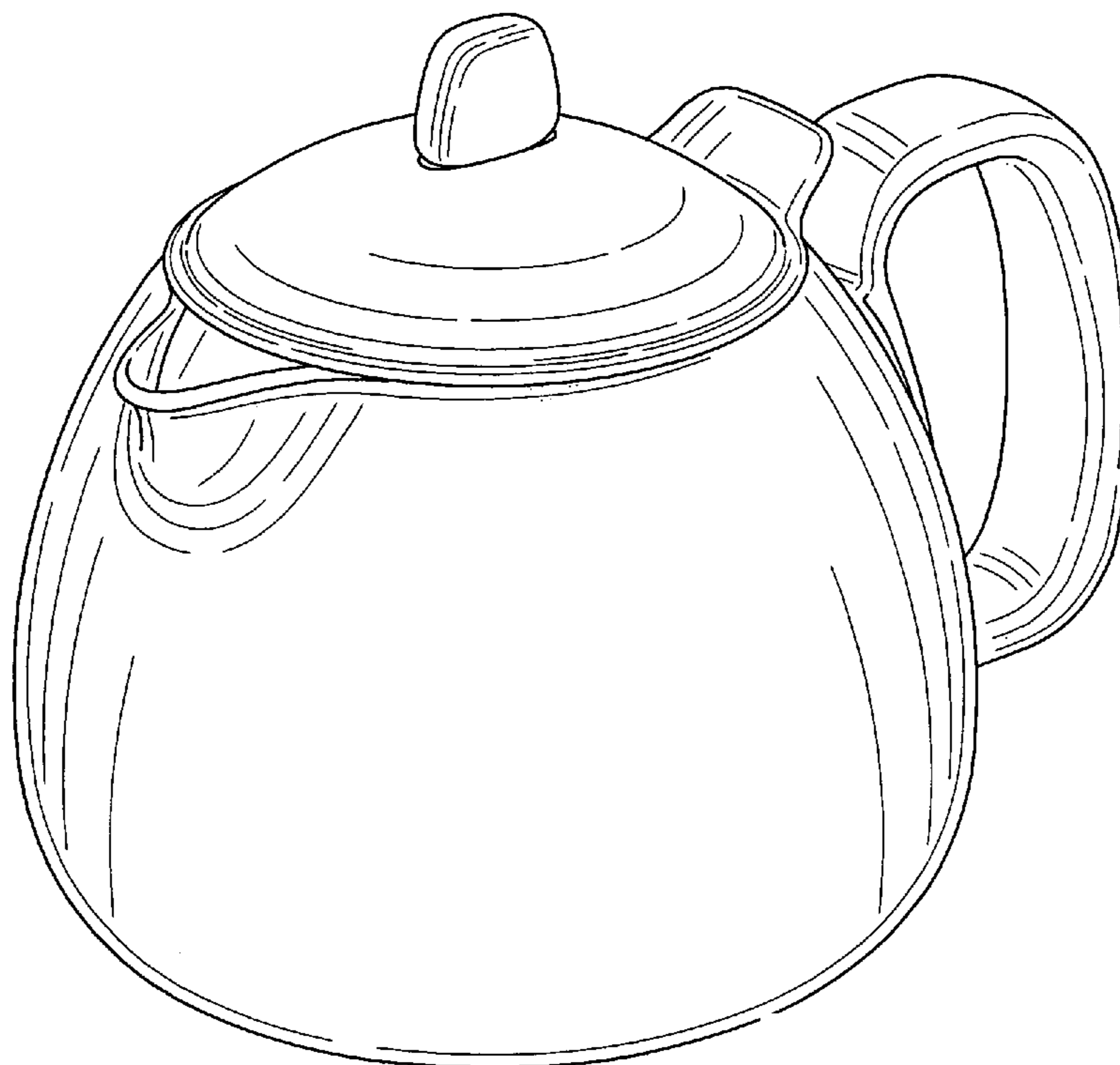
(57) **CLAIM**

The ornamental design for a teapot, as shown and described.

DESCRIPTION

FIG. 1 is a top, side front perspective view of a teapot;
FIG. 2 is a front elevation view thereof;
FIG. 3 is a rear elevation view thereof;
FIG. 4 is a right side elevation view, the left side elevation
being a mirror image thereof;
FIG. 5 is a top plan view thereof; and,
FIG. 6 is a bottom plan view thereof.

1 Claim, 3 Drawing Sheets



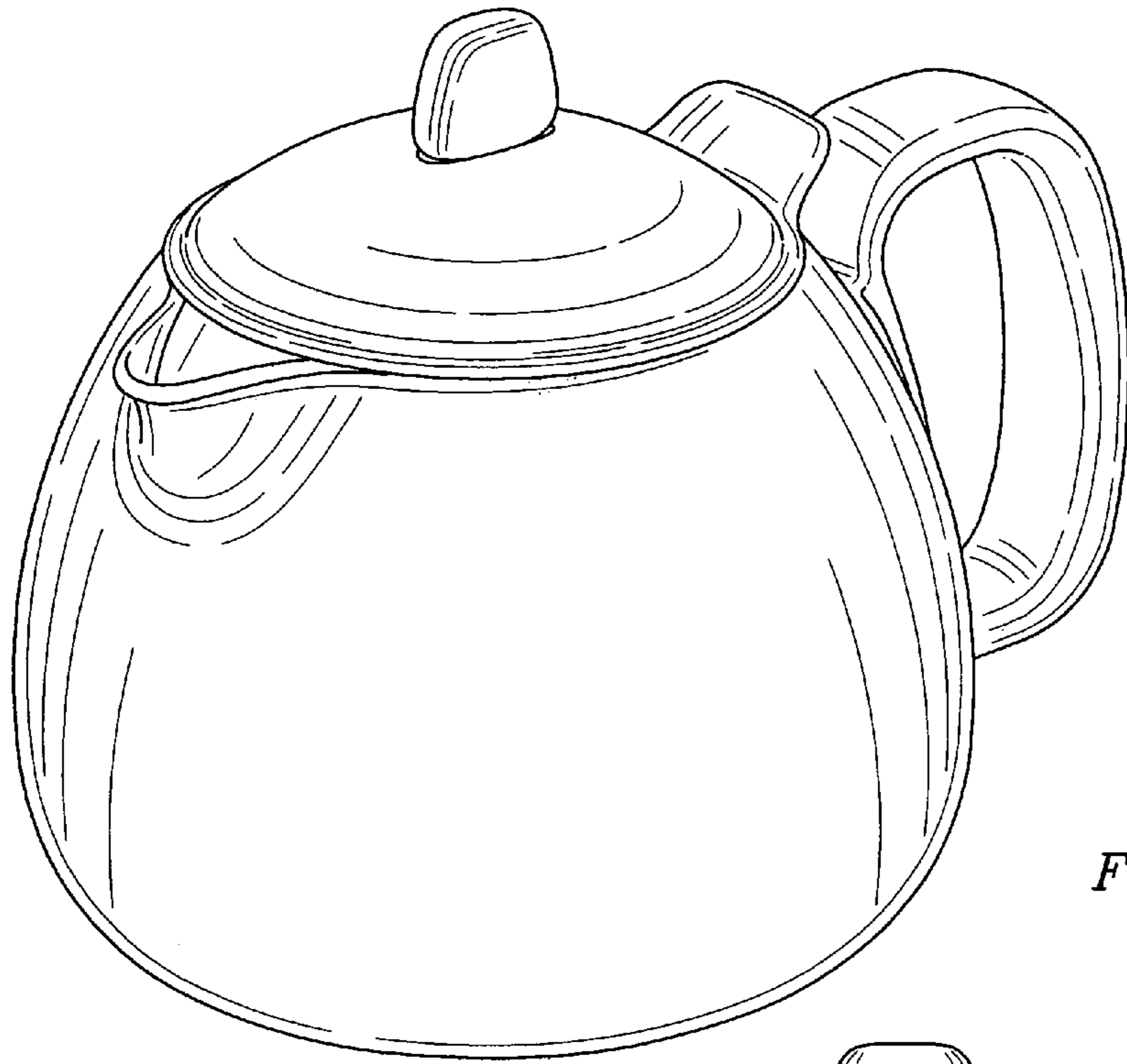


FIG. 1

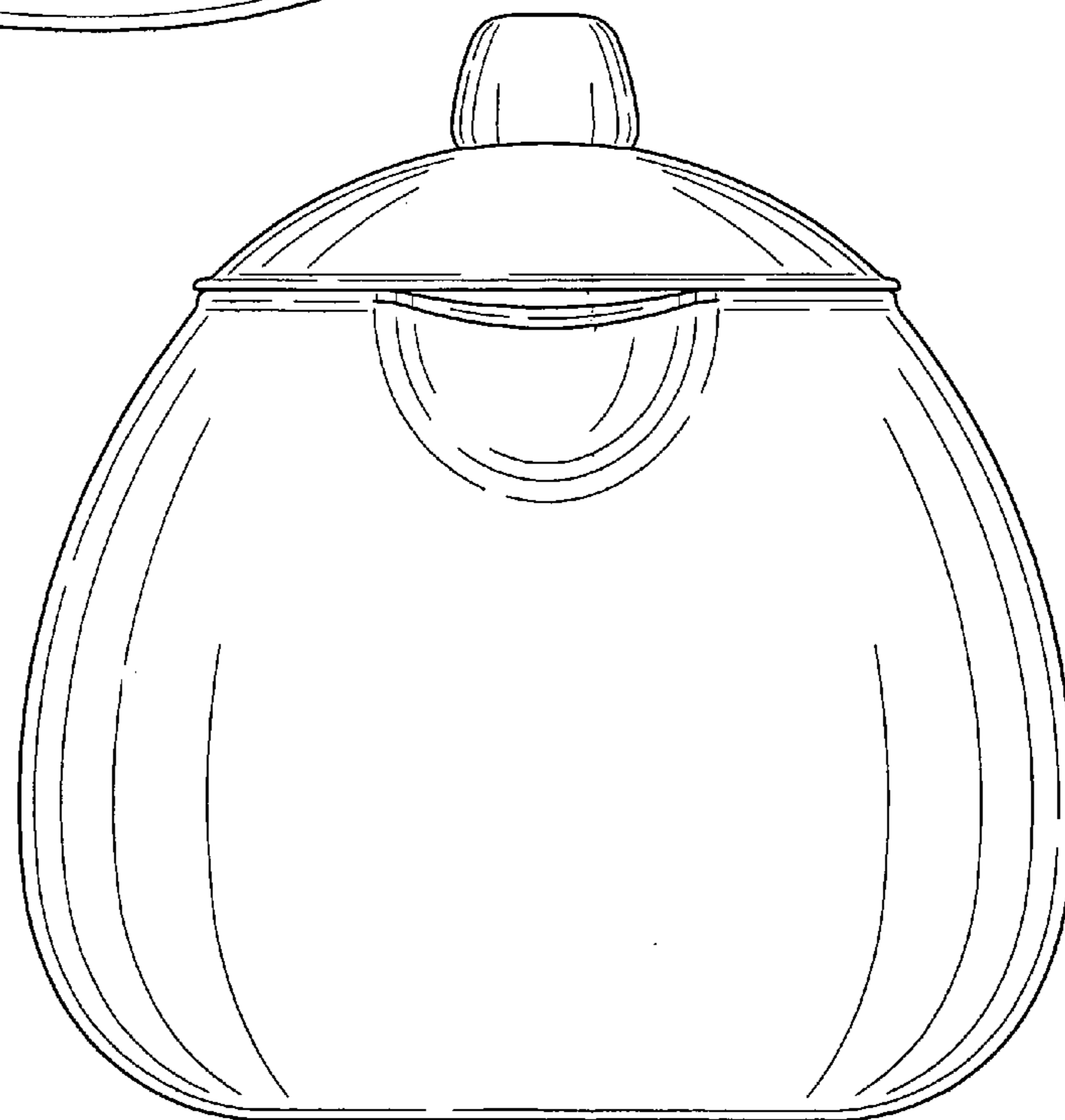


FIG. 2

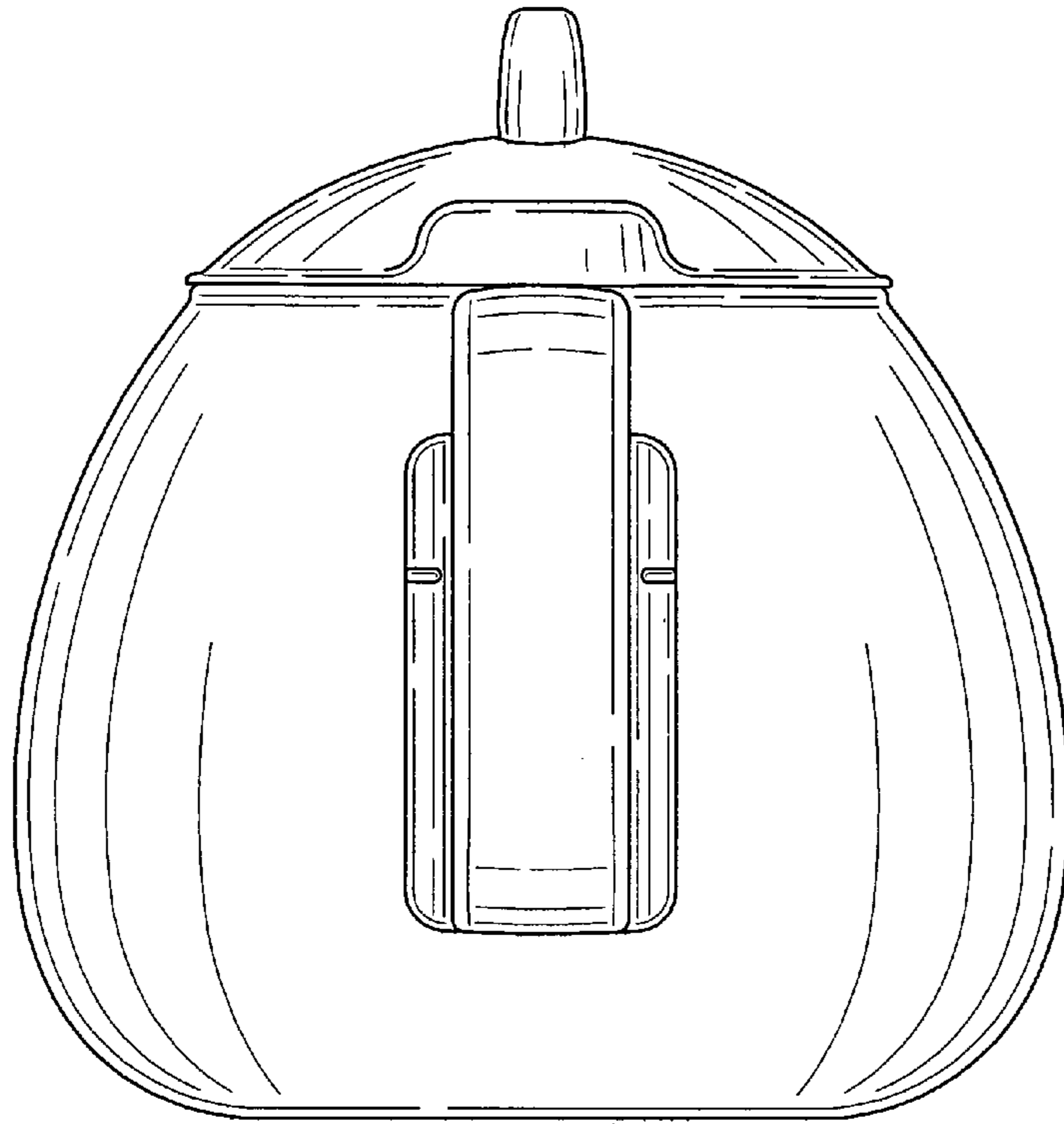


FIG. 3

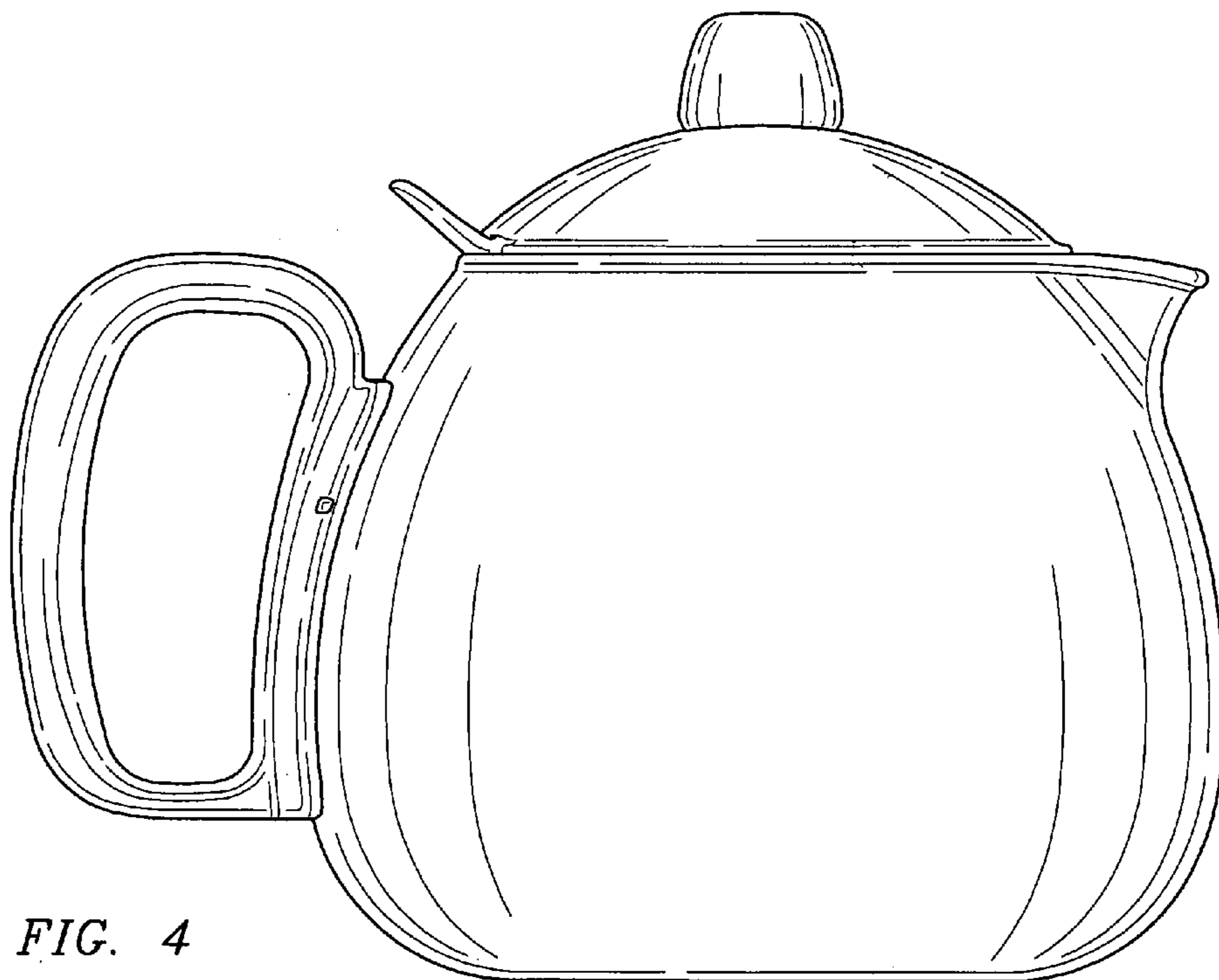


FIG. 4

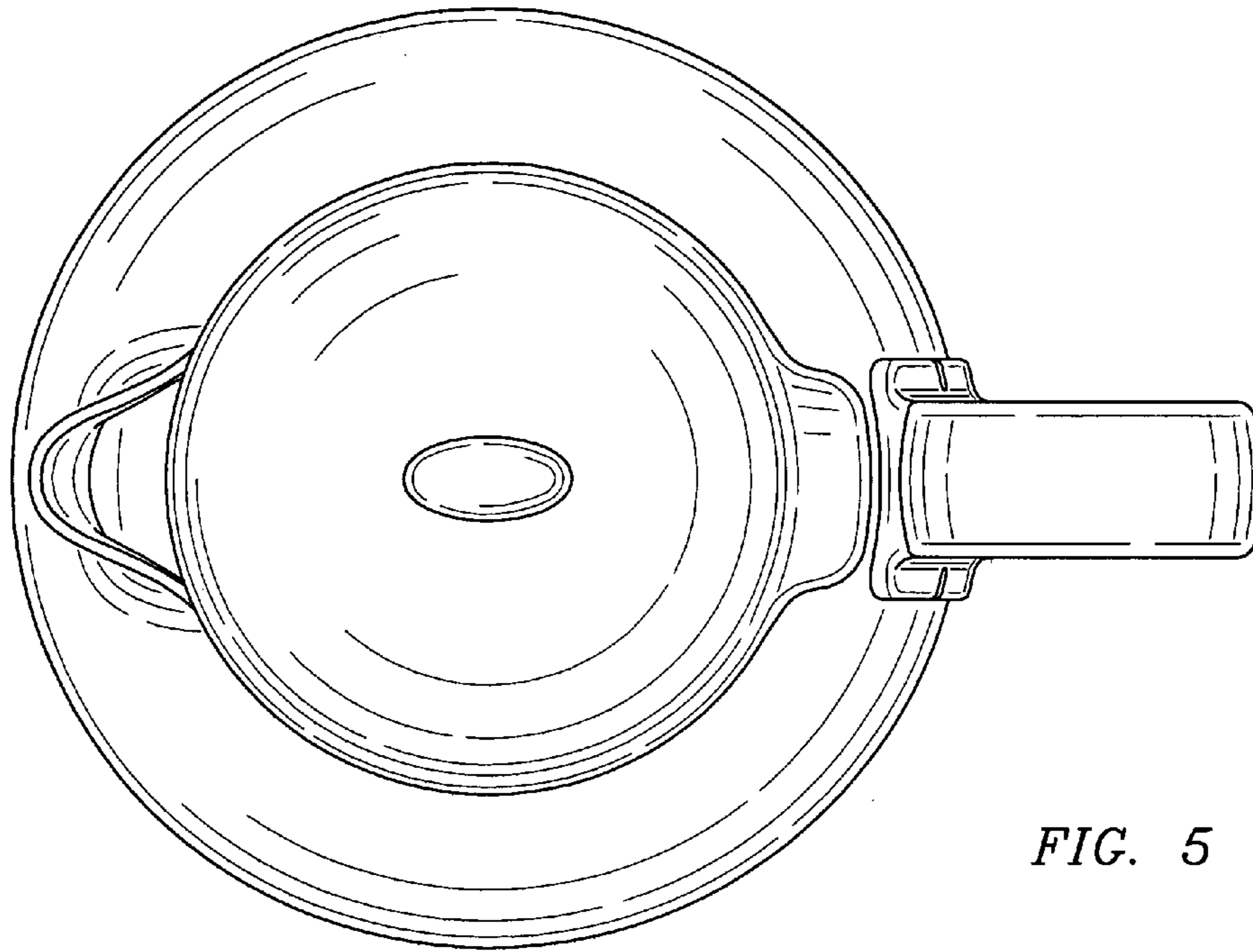


FIG. 5

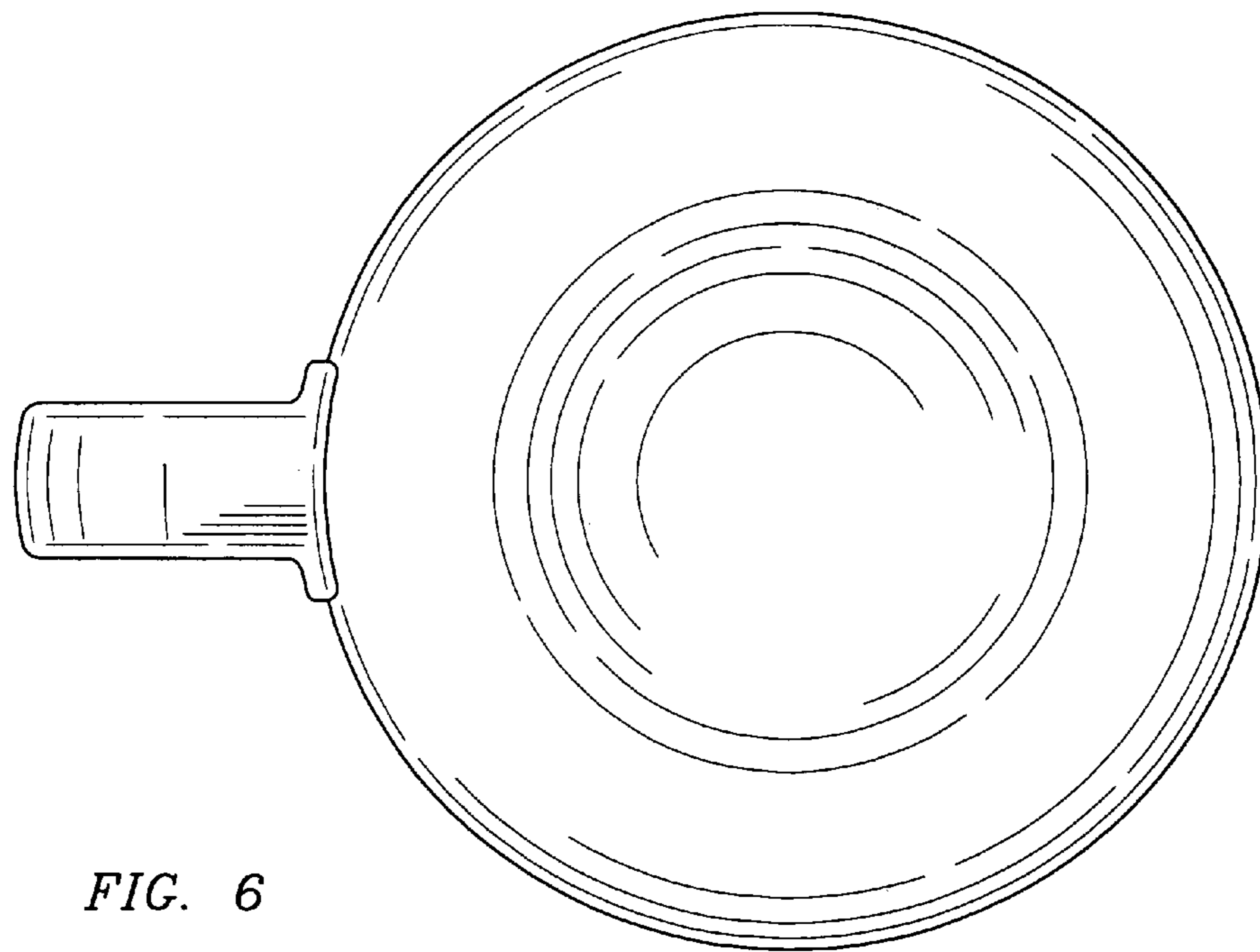


FIG. 6