



US00D679529S

(12) **United States Design Patent**
Gilboe et al.

(10) **Patent No.:** **US D679,529 S**

(45) **Date of Patent:** **** Apr. 9, 2013**

(54) **CORNER CADDY**

(75) Inventors: **Kevin J. Gilboe**, Woodbury, MN (US);
Craig D. Thompson, Inver Grove Heights, MN (US); **Matthew J. Nettenstrom**, Streamwood, IL (US); **Justin B. Peart**, Lisle, IL (US); **Jeremy A. Abel**, Oswego, IL (US); **Thomas M. McKeon**, Wheaton, IL (US)

(73) Assignee: **3M Innovative Properties Company**, St. Paul, MN (US)

(**) Term: **14 Years**

(21) Appl. No.: **29/416,818**

(22) Filed: **Mar. 27, 2012**

(51) **LOC (9) Cl.** **23-02**

(52) **U.S. Cl.** **D6/525; D6/562**

(58) **Field of Classification Search** D6/524, D6/525, 329, 397, 562; D7/500, 505, 555, D7/601, 701, 637; D11/131, 143, 146, 152; D28/73; 47/41.1, 65.5, 66.1, 66.6, 66.7, 47/69; 211/13.1, 69.1, 62, 70.6, 70.7, 119.011; D3/308, 315, 313

See application file for complete search history.

(56) **References Cited**

U.S. PATENT DOCUMENTS

D416,421 S	*	11/1999	Hampshire	D6/553
D453,268 S	*	2/2002	Snell	D6/562
D481,894 S	*	11/2003	Hunt	D6/525
D483,586 S	*	12/2003	Snell	D6/525
D485,306 S	*	1/2004	Sheldon et al.	D6/553

D543,748 S	*	6/2007	Harwanko	D6/562
D566,361 S	*	4/2008	Snell	D6/567
D577,914 S	*	10/2008	Babic et al.	D6/567
D592,434 S	*	5/2009	Thompson et al.	D6/553
D618,675 S	*	6/2010	Thompson et al.	D6/553
D636,198 S	*	4/2011	Gibbs	D6/525
D636,201 S	*	4/2011	Kolano et al.	D6/553
D642,841 S	*	8/2011	Dretzka	D6/553

* cited by examiner

Primary Examiner — Brian N Vinson

(74) *Attorney, Agent, or Firm* — Irina Hass

(57) **CLAIM**

The ornamental design for a corner caddy, as shown and described.

DESCRIPTION

FIG. 1 is a perspective view showing the new design for a corner caddy;

FIG. 2 is a front view thereof;

FIG. 3 is a rear view thereof;

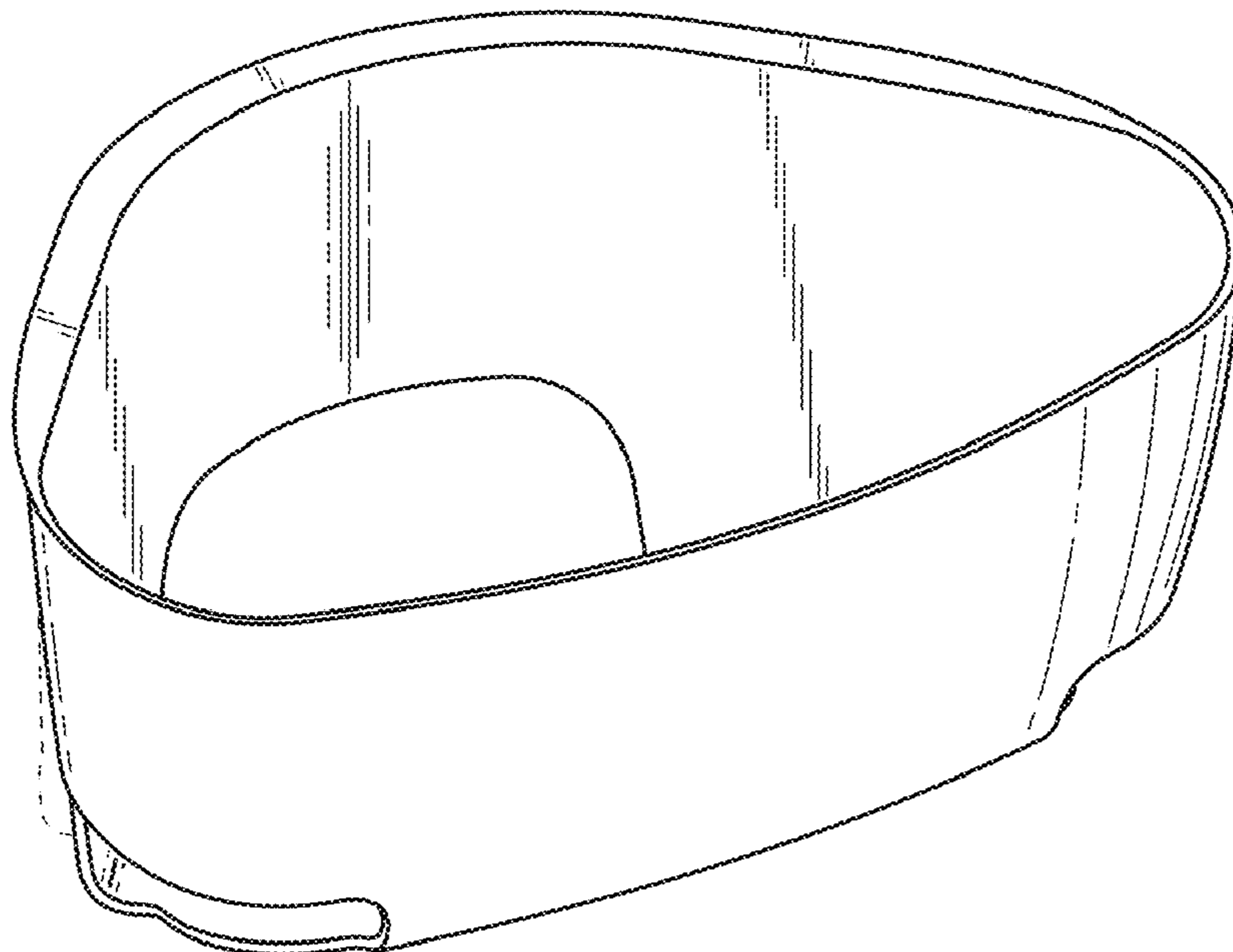
FIG. 4 is a top view thereof;

FIG. 5 is a bottom view thereof; and,

FIG. 6 is a left side view thereof, the right side view being a mirror image thereof.

The broken lines in the drawings are shown for illustrative purposes only and form no part of the claimed design. In addition, the surface shading illustrated in the drawings is provided merely to highlight the contour of design; it is not intended to be illustrative of texture or gloss.

1 Claim, 2 Drawing Sheets



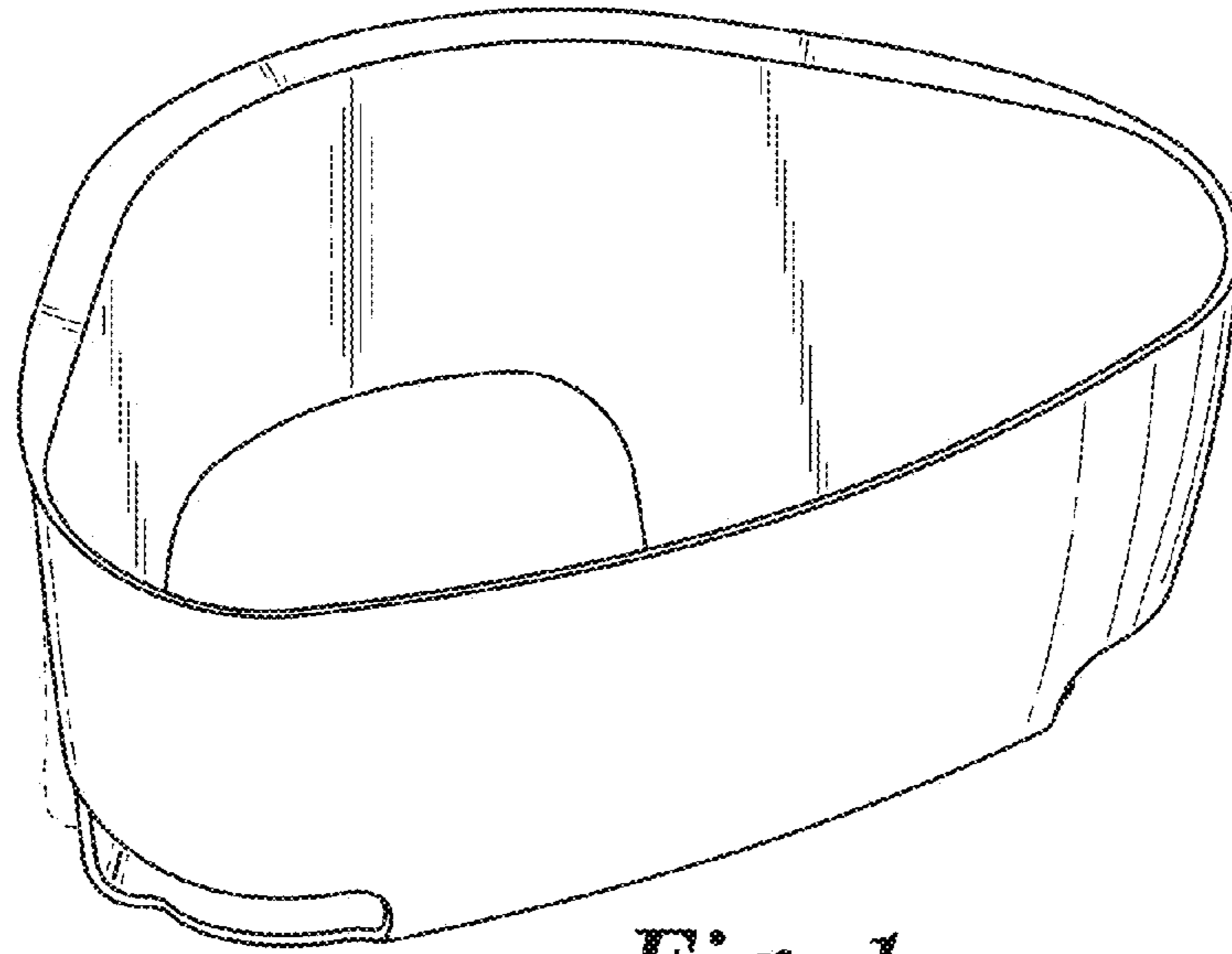


Fig. 1

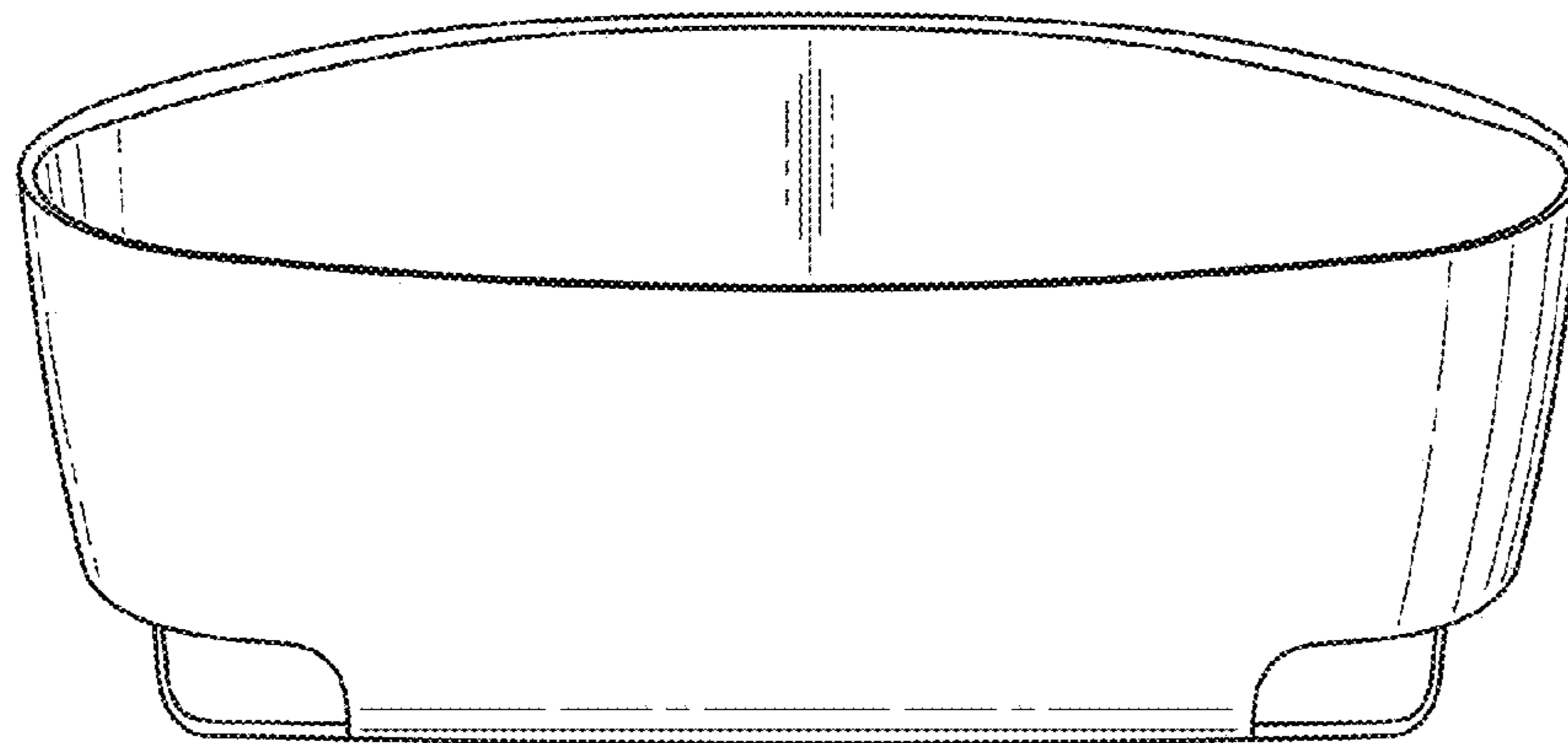


Fig. 2

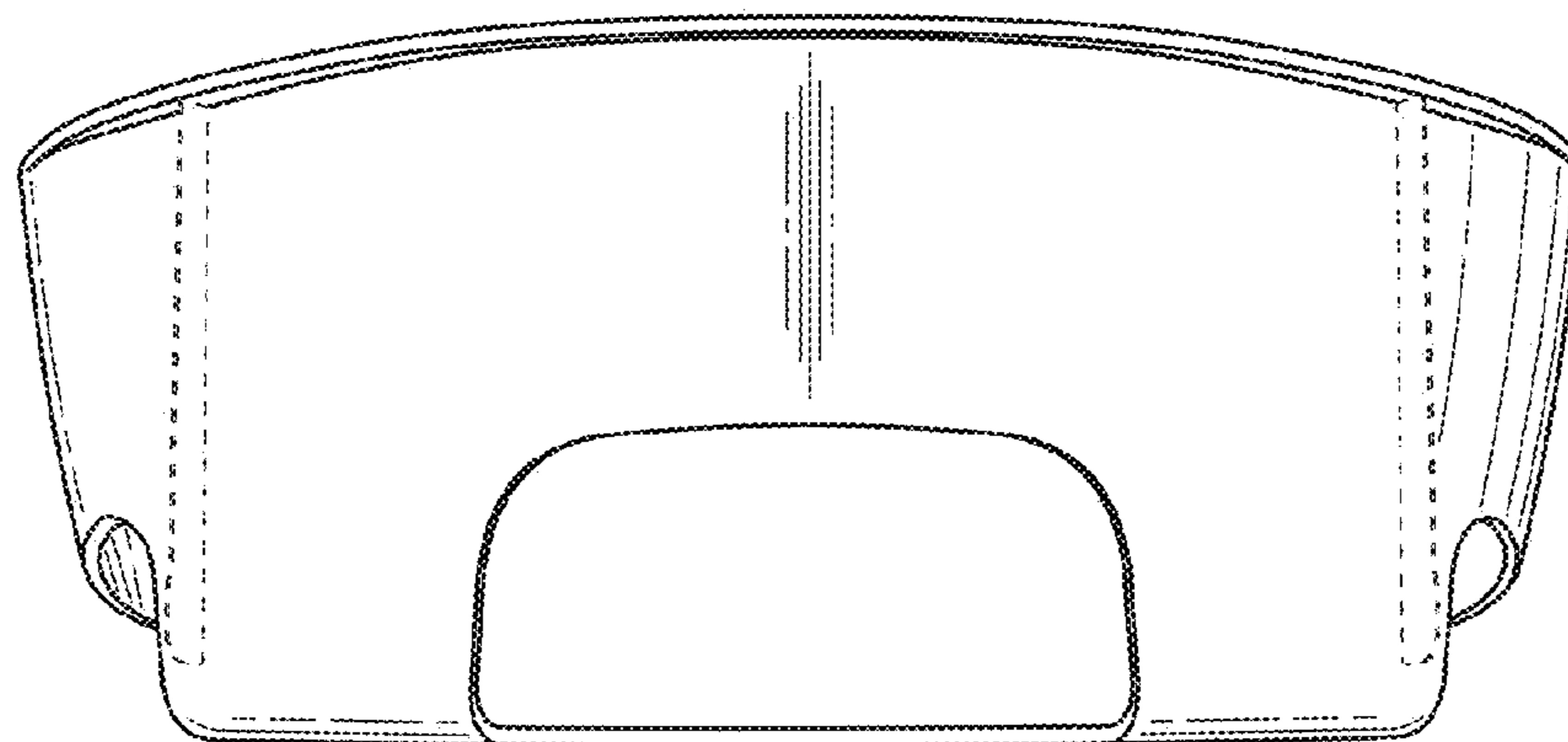


Fig. 3

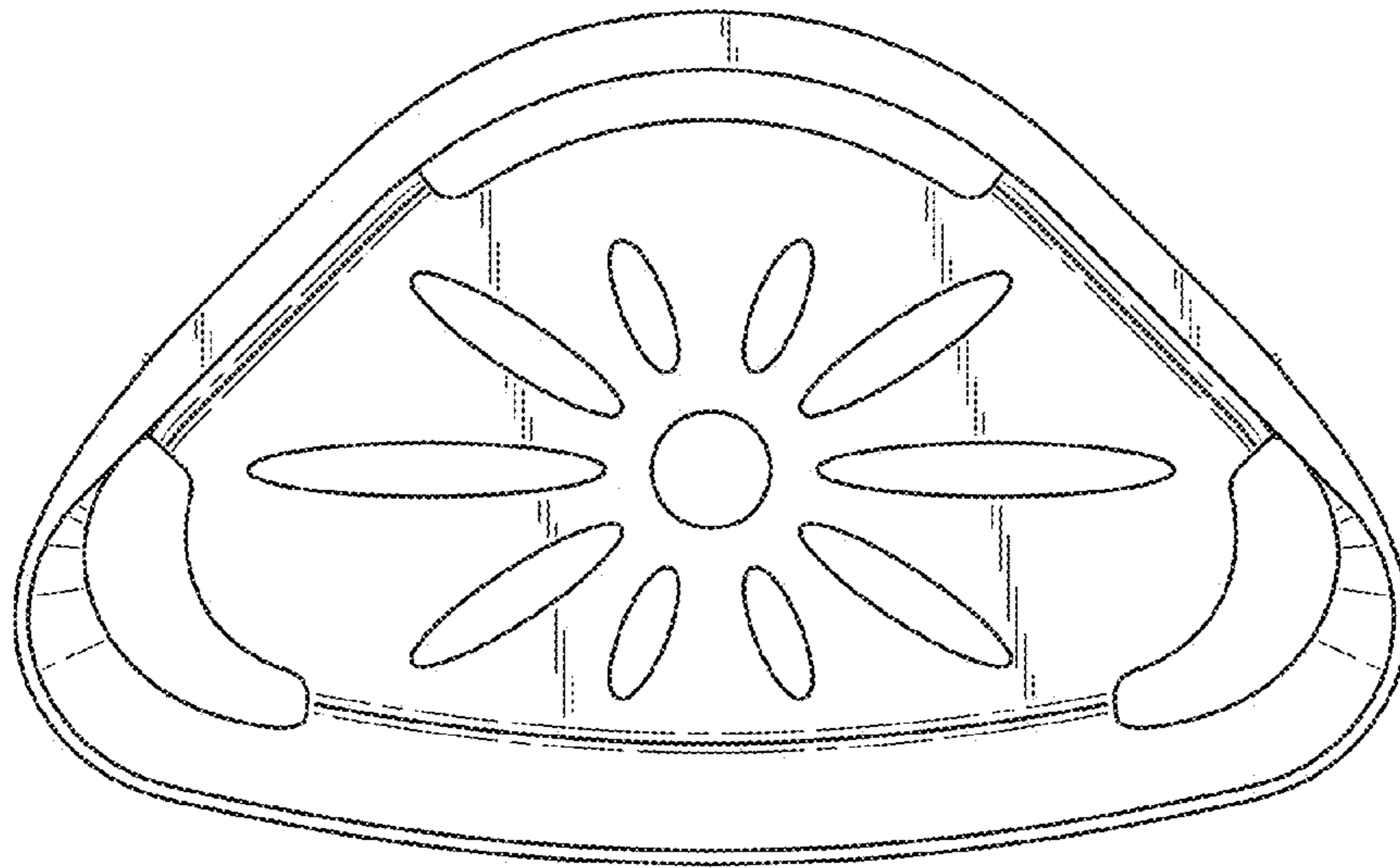


Fig. 4

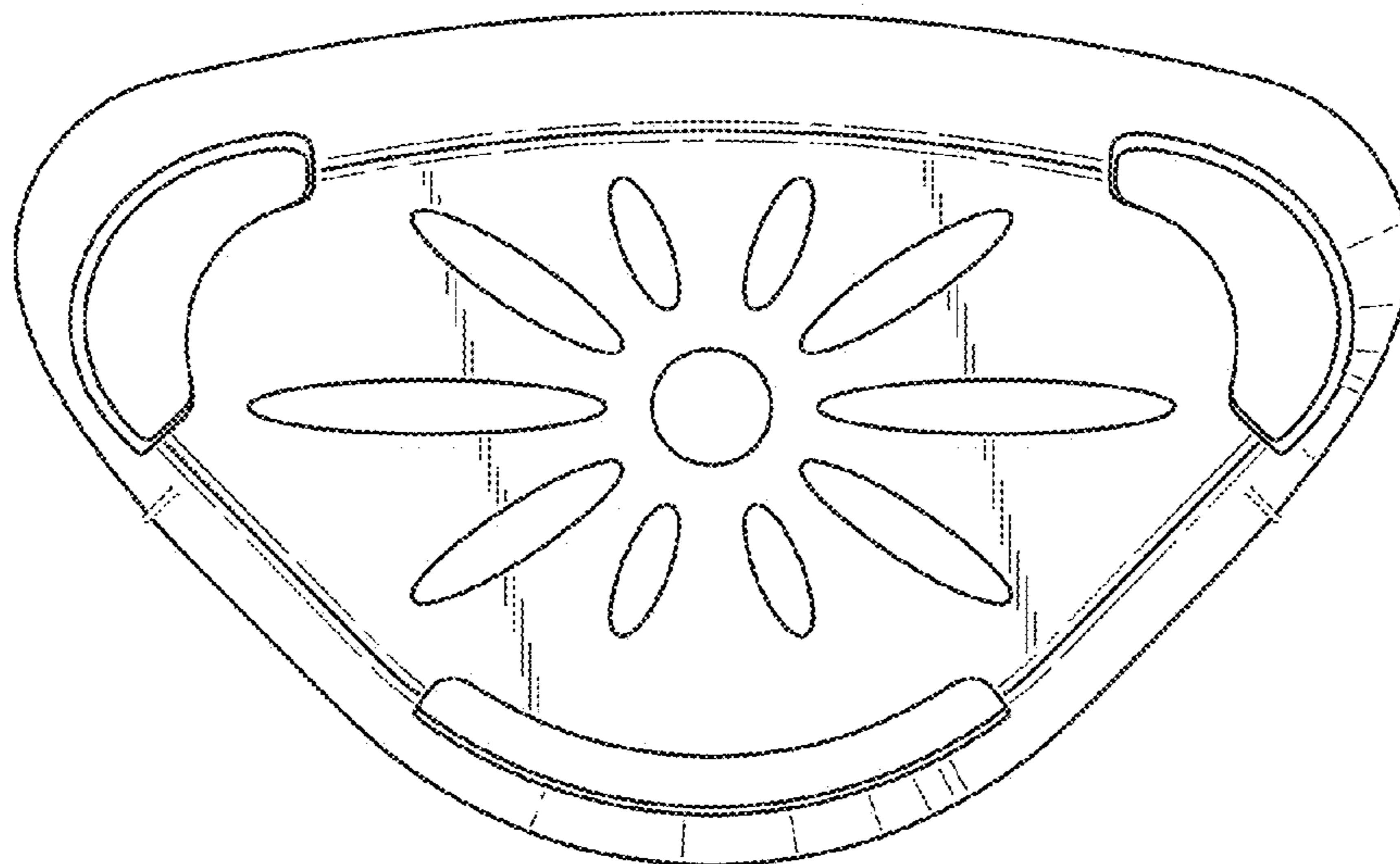


Fig. 5

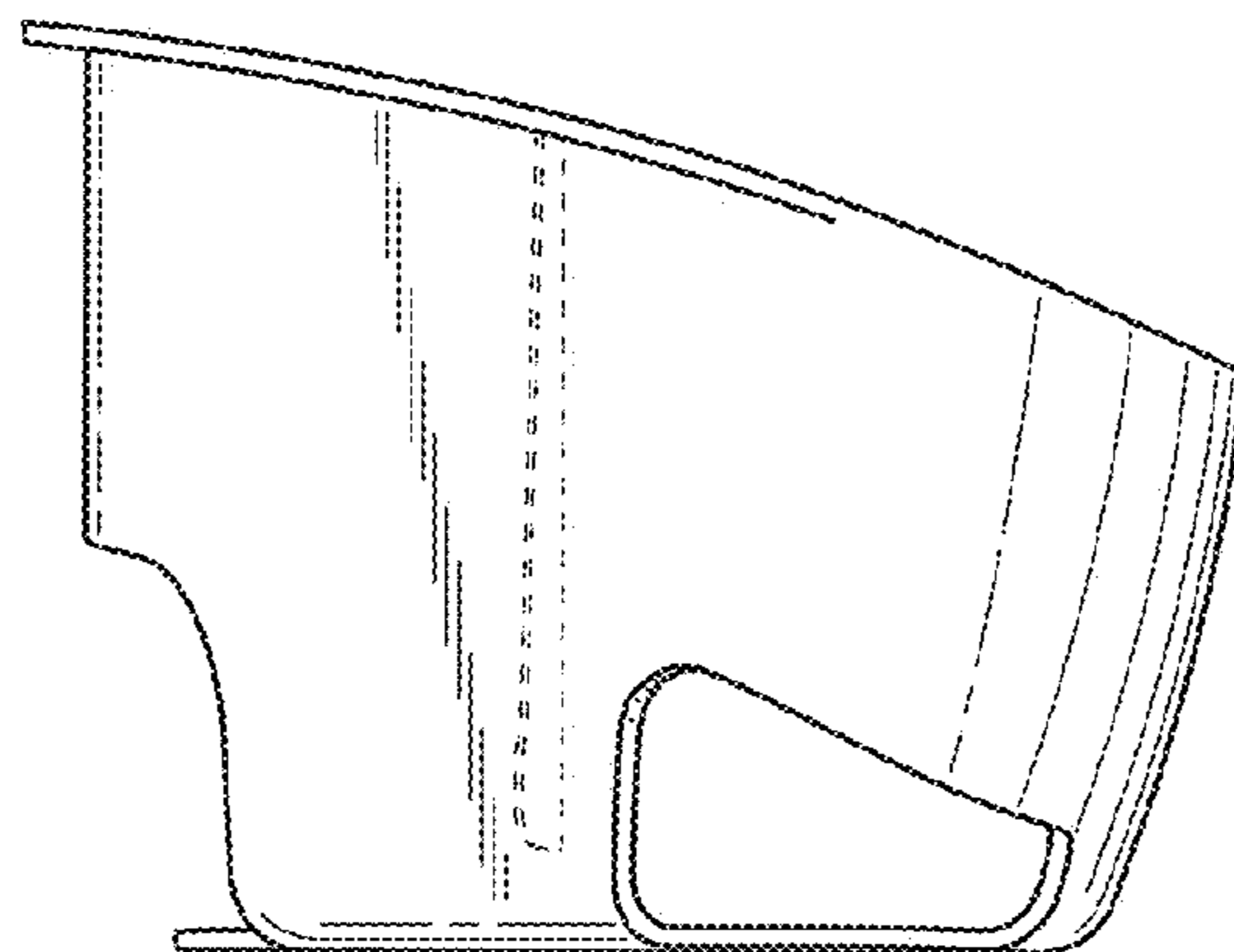


Fig. 6