



US00D679526S

(12) **United States Design Patent**
Blet et al.

(10) **Patent No.:** **US D679,526 S**

(45) **Date of Patent:** **** Apr. 9, 2013**

(54) **ARMREST FOR SEAT**

(76) Inventors: **Thierry Blet**, Seine et Marne (FR);
Catherine Le Teo, Seine et Marne (FR)

(**) Term: **14 Years**

(21) Appl. No.: **29/389,837**

(22) Filed: **Apr. 18, 2011**

(30) **Foreign Application Priority Data**

Oct. 19, 2010 (WO) DM/074 523

(51) **LOC (9) Cl.** **06-01**

(52) **U.S. Cl.**

USPC **D6/501**

(58) **Field of Classification Search** D6/334-335,

D6/364-368, 374-375, 379, 500-502; 297/411.2,

297/411.27, 463.1, 452.12, 452.63

See application file for complete search history.

(56) **References Cited**

U.S. PATENT DOCUMENTS

D343,537 S * 1/1994 Harde D6/501

D485,456 S * 1/2004 Hunt D6/501

D495,903 S * 9/2004 Relling et al. D6/492

D502,829 S * 3/2005 Grove D6/501

D526,518 S * 8/2006 Schiefer et al. D6/501

D535,124 S * 1/2007 Garcia D6/492

D536,556 S * 2/2007 Schweikarth et al. D6/501

D574,639 S * 8/2008 Weimer et al. D6/492

D647,735 S * 11/2011 Delmestri D6/500

D648,157 S * 11/2011 McCurry D6/495

* cited by examiner

Primary Examiner — Kelley Donnelly

(74) *Attorney, Agent, or Firm* — Patricia Wilczynski Brozek

(57) **CLAIM**

The ornamental design for an armrest for seat, substantially as shown and described.

DESCRIPTION

FIG. 1 is a perspective view of an armrest for seat showing our new design;

FIG. 2 is a front view thereof;

FIG. 3 is a back view thereof;

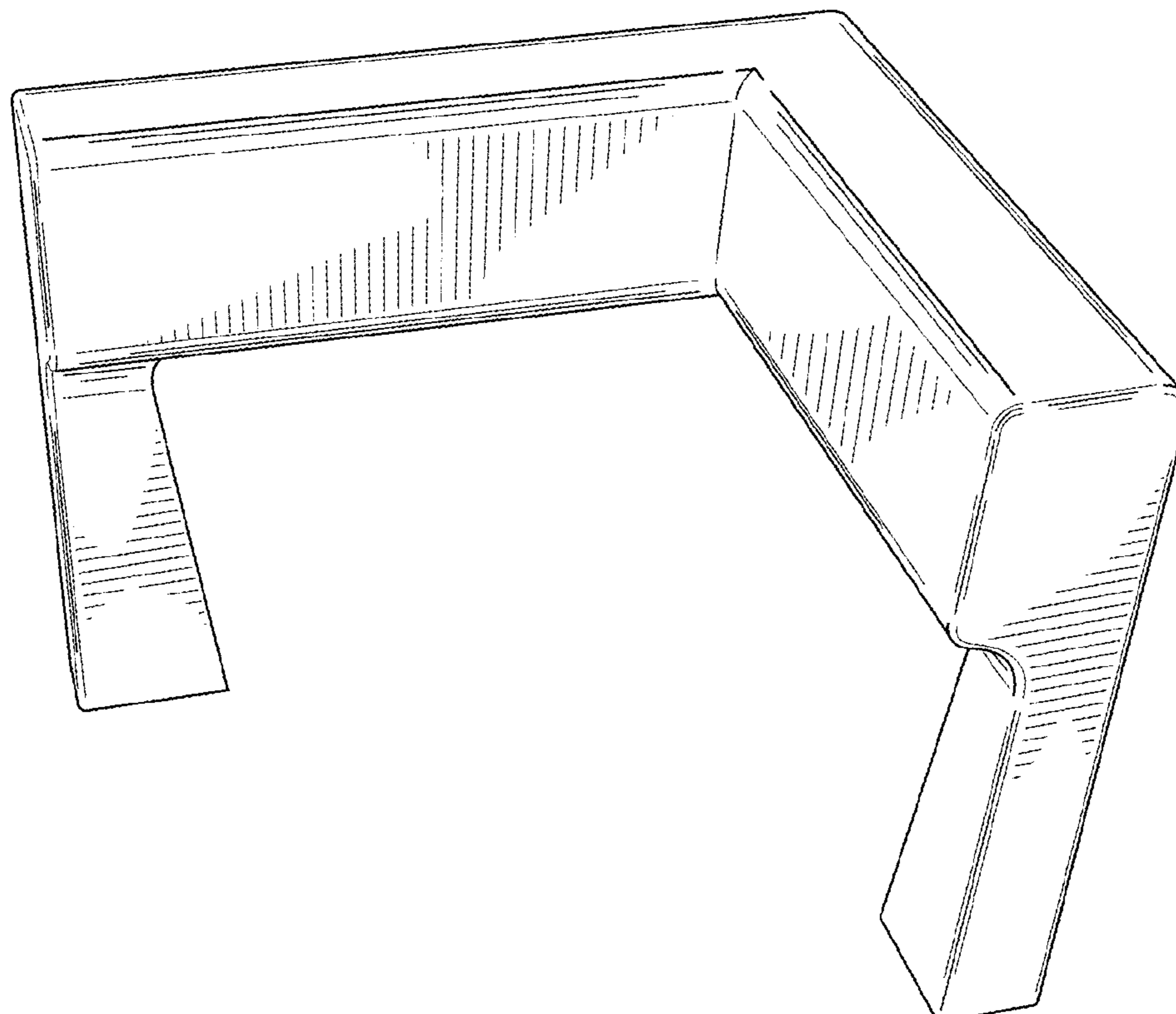
FIG. 4 is a left view thereof;

FIG. 5 is a right view thereof;

FIG. 6 is a top view thereof; and,

FIG. 7 is a bottom view thereof.

1 Claim, 2 Drawing Sheets



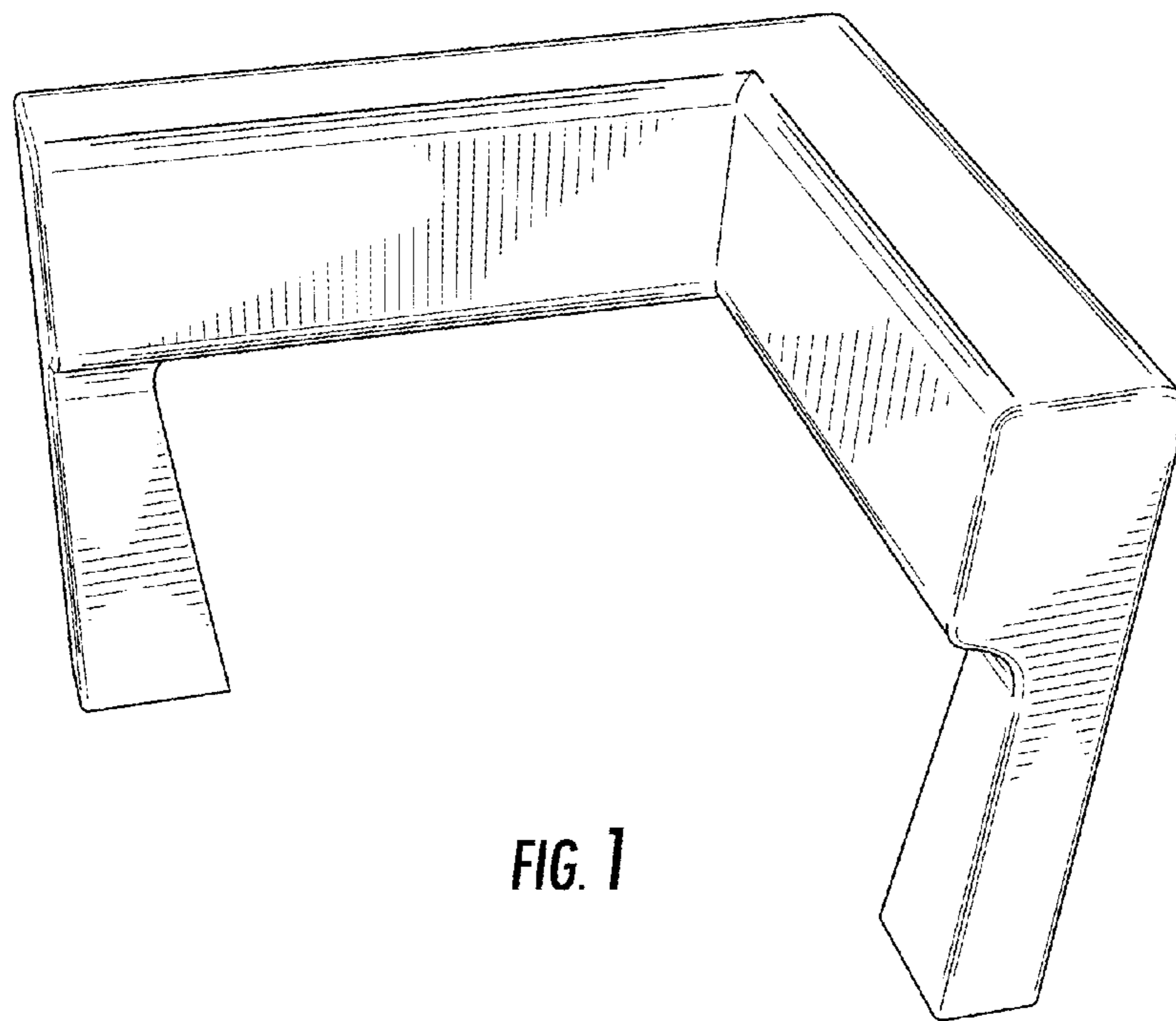


FIG. 1

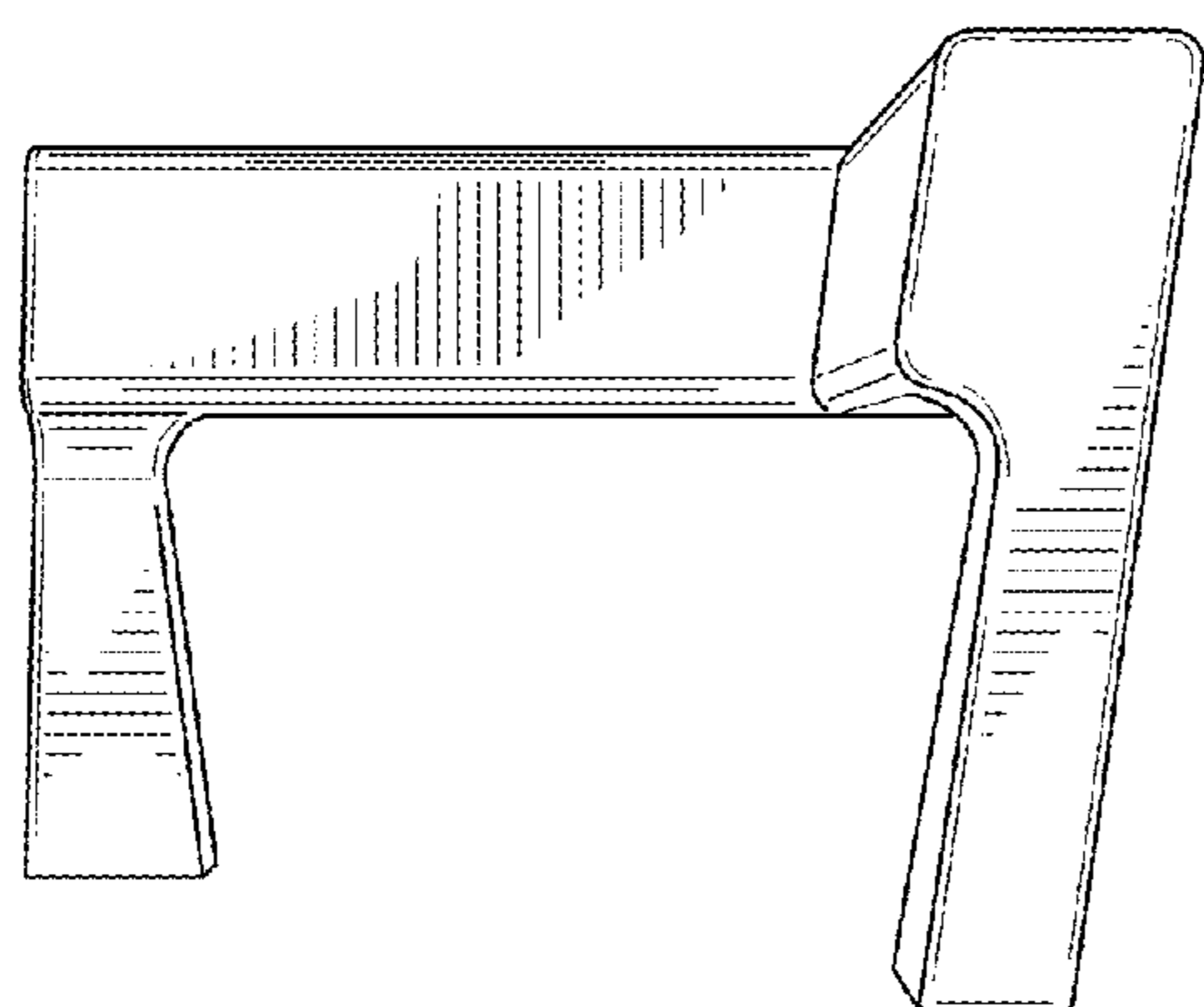


FIG. 2

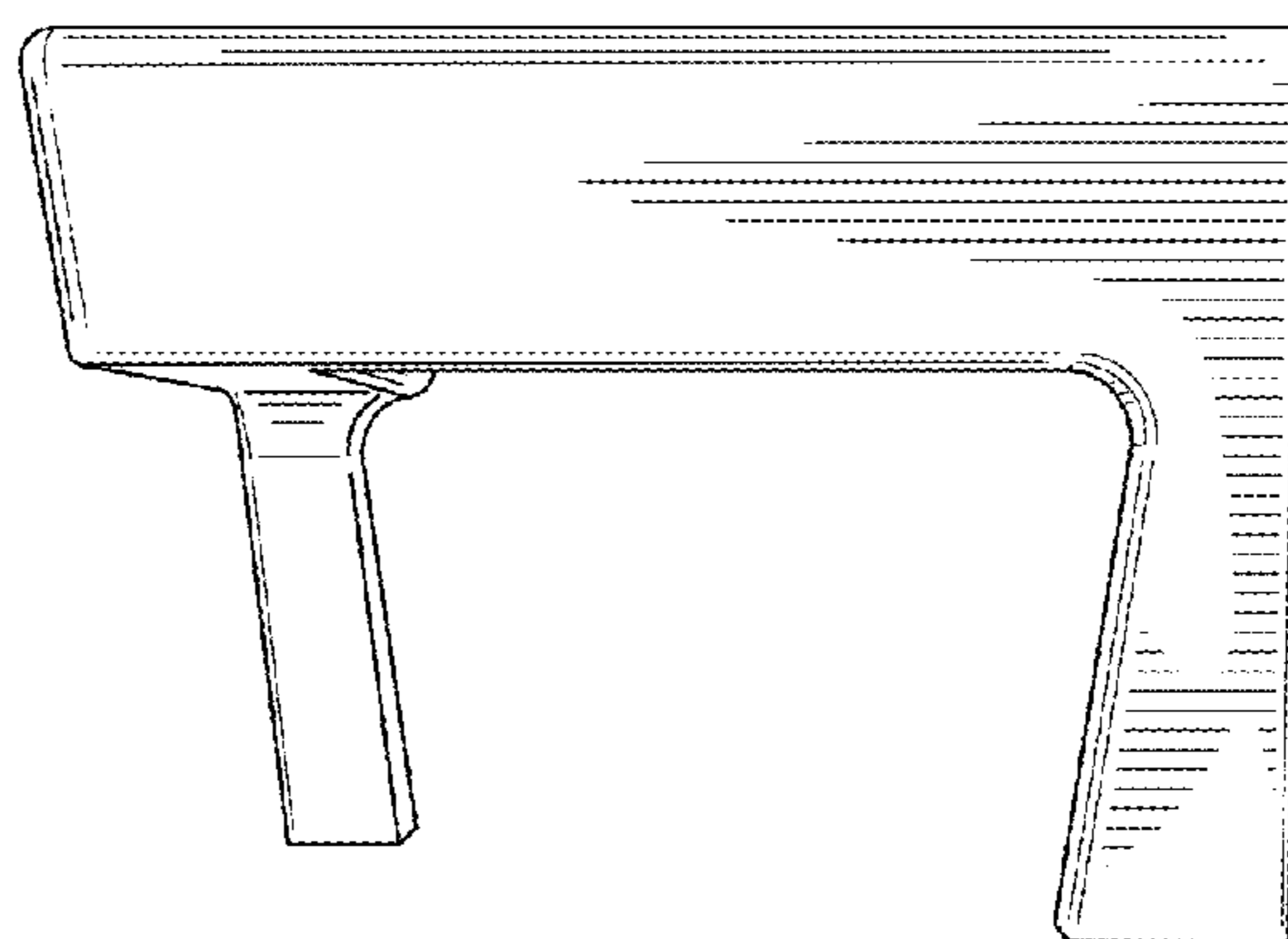


FIG. 3

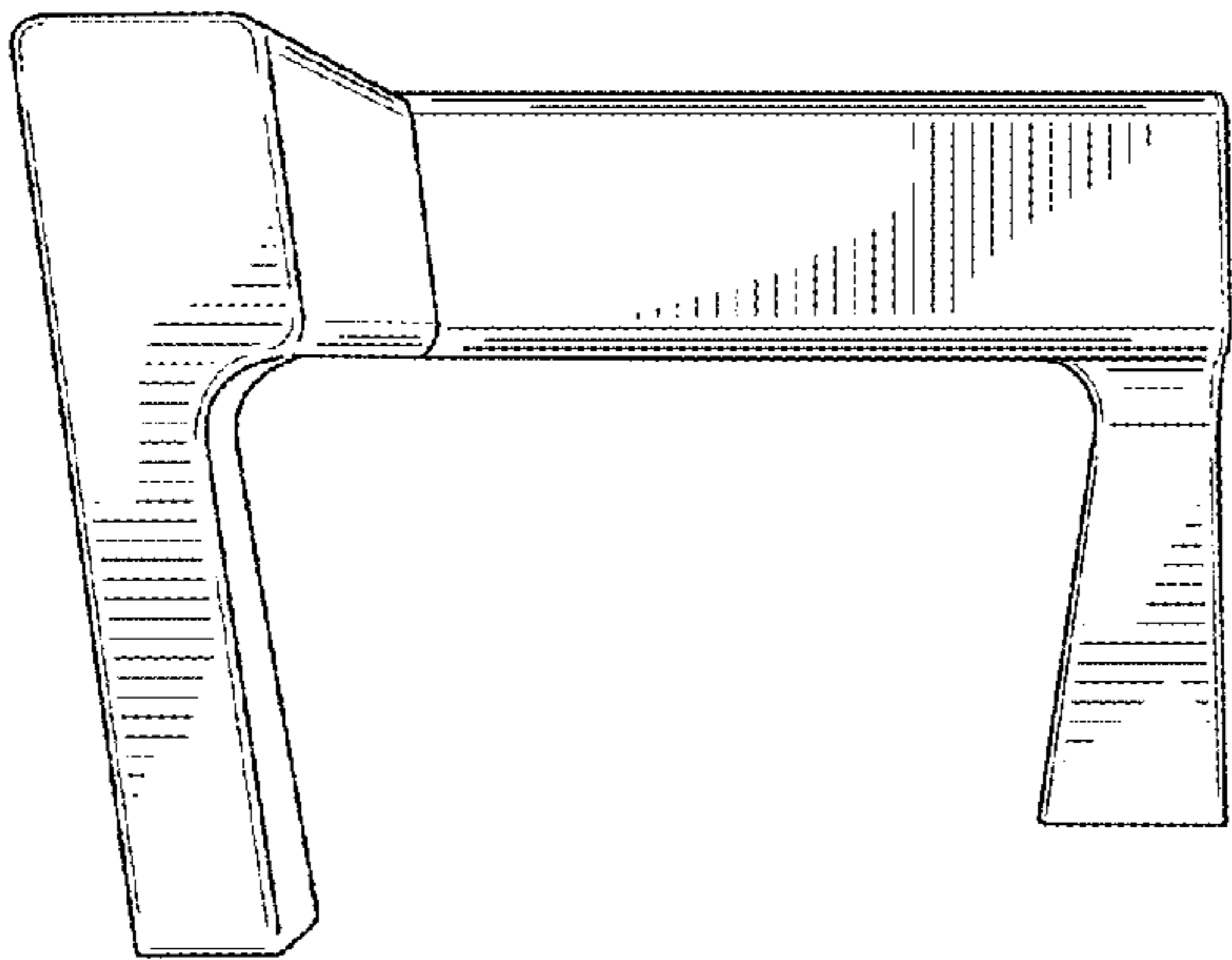


FIG. 4

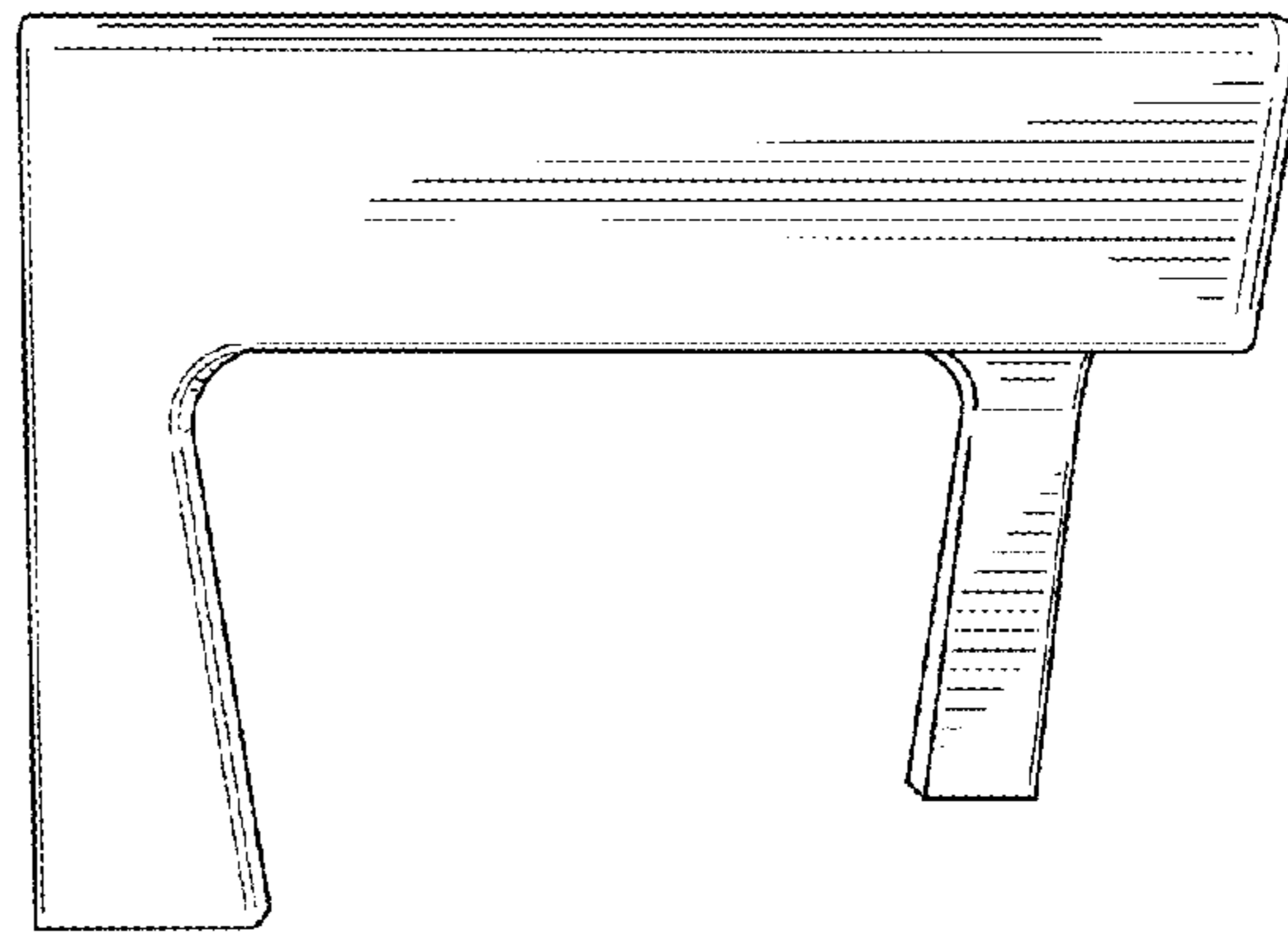


FIG. 5

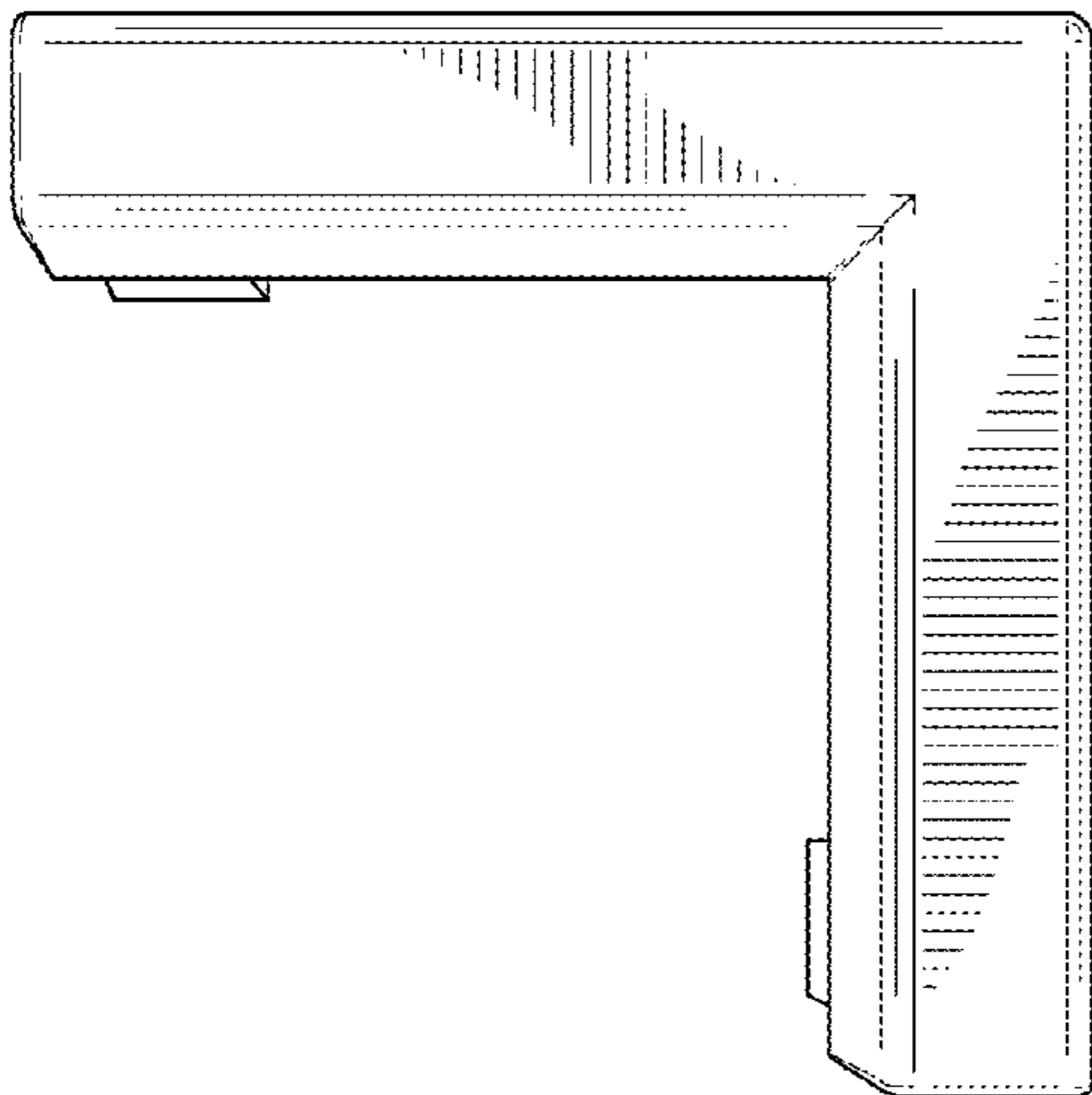


FIG. 6

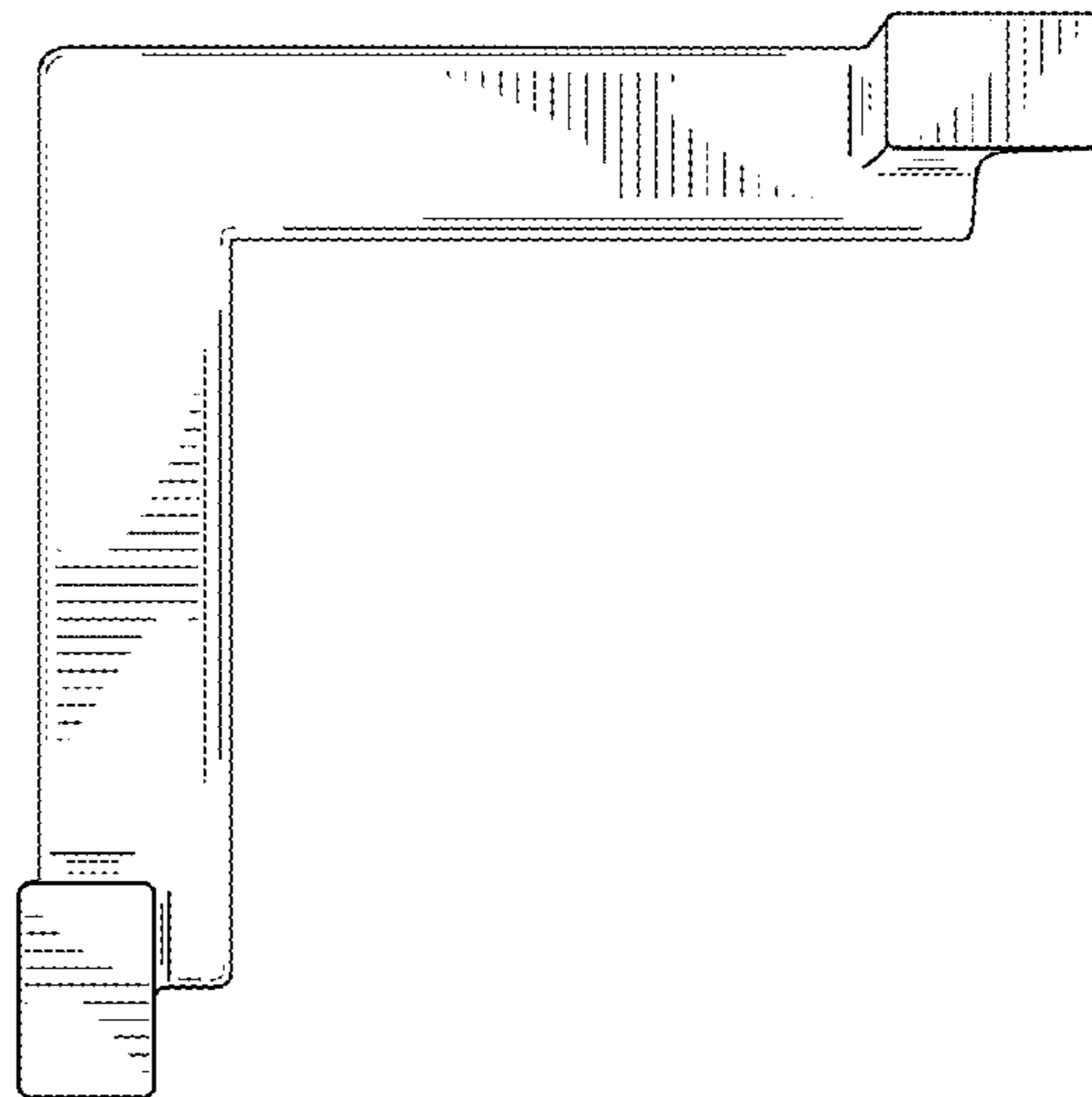


FIG. 7