



US00D679525S

(12) **United States Design Patent**  
**Corcorran et al.**

(10) **Patent No.:** **US D679,525 S**

(45) **Date of Patent:** **\*\* Apr. 9, 2013**

(54) **SEATING UNIT**

(71) Applicants: **Sean M. Corcorran**, East Grand Rapids, MI (US); **Thomas Overthun**, San Francisco, CA (US); **Elger Oberwelz**, San Francisco, CA (US); **James N. Ludwig**, Grand Rapids, MI (US); **David J. Battey**, Caledonia, MI (US); **Nickolaus William Charles Deevers**, Grand Rapids, MI (US); **Keith Robert Machin**, Wyoming, MI (US)

(72) Inventors: **Sean M. Corcorran**, East Grand Rapids, MI (US); **Thomas Overthun**, San Francisco, CA (US); **Elger Oberwelz**, San Francisco, CA (US); **James N. Ludwig**, Grand Rapids, MI (US); **David J. Battey**, Caledonia, MI (US); **Nickolaus William Charles Deevers**, Grand Rapids, MI (US); **Keith Robert Machin**, Wyoming, MI (US)

(73) Assignee: **Steelcase Inc.**, Grand Rapids, MI (US)

(\*\*) Term: **14 Years**

(21) Appl. No.: **29/439,221**

(22) Filed: **Dec. 7, 2012**

**Related U.S. Application Data**

(63) Continuation of application No. 29/436,741, filed on Nov. 8, 2012, which is a continuation of application No. 12/987,273, filed on Jan. 10, 2011.

(51) **LOC (9) Cl.** ..... **06-01**

(52) **U.S. Cl.**  
USPC ..... **D6/500**

(58) **Field of Classification Search** ..... D6/334-336, D6/344-353, 360-381, 388, 403, 491-502, D6/692, 708, 708.23; 297/22, 31, 35, 217.1, 297/239, 256.16, 284.4-284.5, 291, 297, 297/302.4, 411.2, 411.27-411.29, 411.43, 297/423.1, 423.12, 440.15, 451.1, 452.13, 297/452.19, 452.21, 452.27, 452.29, 452.3, 297/452.41, 452.56, 452.64

See application file for complete search history.

(56) **References Cited**

U.S. PATENT DOCUMENTS

1,737 A	8/1840	King
2,343,077 A	2/1944	Parrish
D177,231 S	3/1956	Hail et al.
D181,703 S	12/1957	Bargen et al.
2,818,107 A	12/1957	Thaden
D181,945 S	1/1958	Saarinen
D181,975 S	1/1958	Hail et al.
D182,790 S	5/1958	Cohen
D183,416 S	8/1958	Bellmann
2,845,699 A	8/1958	Woodard
2,989,112 A	6/1961	Sonnleitner
D192,029 S	1/1962	Avedon et al.
D193,847 S	10/1962	Mason

(Continued)

OTHER PUBLICATIONS

U.S. Appl. No. 29/436,741, filed Nov. 8, 2012.

(Continued)

*Primary Examiner* — Ricky Pham

(74) *Attorney, Agent, or Firm* — Quarles & Brady LLP

(57) **CLAIM**

The ornamental design for a seating unit, as shown and described.

**DESCRIPTION**

FIG. 1 is a top, front, right perspective view of a seating unit embodying our new design;

FIG. 2 is a front elevational view thereof;

FIG. 3 is a rear elevational view thereof;

FIG. 4 is a right side elevational view thereof;

FIG. 5 is a left side elevational view thereof;

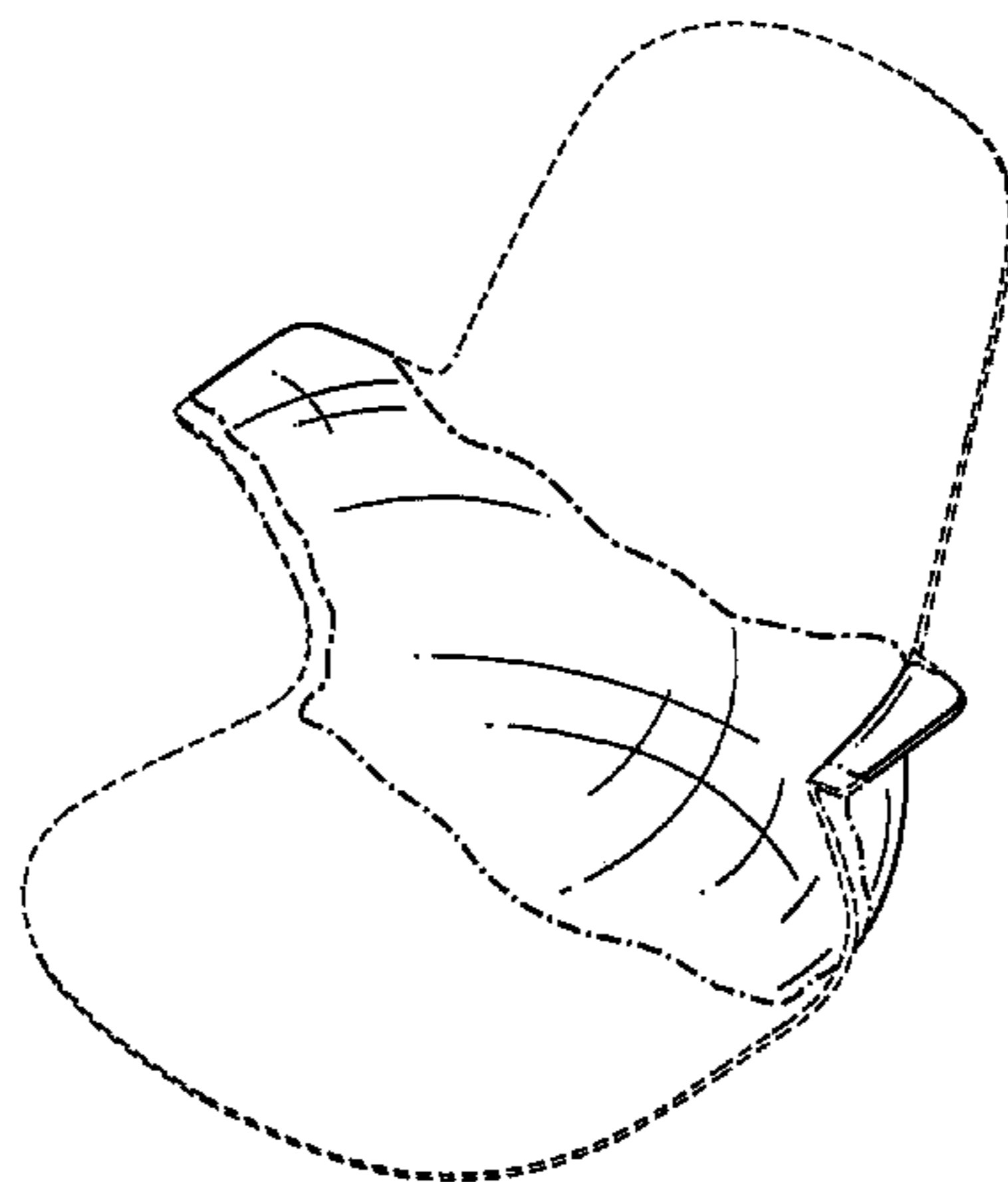
FIG. 6 is a top plan view thereof; and,

FIG. 7 is a bottom plan view thereof.

The broken line representations in the figures show unclaimed environment or boundaries, and thus form no part of the claimed design.

The nature of this product is a seat for supporting a human in a seated position.

**1 Claim, 7 Drawing Sheets**



# US D679,525 S

U.S. PATENT DOCUMENTS					
D194,980 S	4/1963	De La Riva Careaga et al.	D502,016 S	2/2005	Goodworth
D195,725 S	7/1963	Chapman et al.	D503,560 S	4/2005	Rowland et al.
D196,429 S	10/1963	Johnson	D504,026 S	4/2005	Glass et al.
D198,628 S	7/1964	Chapman et al.	D505,022 S	5/2005	Mills et al.
D202,550 S	10/1965	Kramer	D507,890 S	8/2005	Mills et al.
D205,939 S	10/1966	Laverne	D511,416 S	11/2005	Obbitts et al.
D207,262 S	3/1967	Maurer et al.	D512,846 S	12/2005	Goodworth
D209,282 S	11/1967	Boyd et al.	D513,892 S	1/2006	Glass et al.
3,361,472 A	1/1968	Hasbrouck	D514,829 S	2/2006	Glass et al.
D219,376 S	12/1970	Pearson	D518,304 S	4/2006	Crescenti
3,572,831 A	3/1971	Barecki et al.	D518,968 S	4/2006	Magnani et al.
3,574,400 A	4/1971	Day	D525,445 S	7/2006	Liu et al.
3,586,367 A	6/1971	Cincotta	D525,446 S	7/2006	Farber
3,712,668 A	1/1973	Fink	D542,039 S	5/2007	Glass et al.
3,712,669 A	1/1973	Cates	D544,230 S	6/2007	Glass et al.
D226,648 S	4/1973	Sobel et al.	D546,085 S	7/2007	Ritch et al.
D230,669 S	3/1974	Hendrickson	D546,087 S	7/2007	Rashid
D230,670 S	3/1974	Begge	D547,980 S	8/2007	Glass et al.
D244,978 S	7/1977	Polsky et al.	D548,475 S *	8/2007	Ritch et al. .... D6/368
D245,378 S	8/1977	Roericht	D549,018 S	8/2007	Glass et al.
4,062,590 A	12/1977	Polsky et al.	D550,466 S *	9/2007	Molina et al. .... D6/366
4,136,908 A	1/1979	Crayne	D550,471 S	9/2007	Igarashi
D264,149 S	5/1982	Buhk	D552,856 S	10/2007	Chan
4,427,232 A	1/1984	Malm	D553,380 S	10/2007	Natuzzi
D274,771 S	7/1984	Ambasz et al.	D554,386 S	11/2007	Nobles et al.
D279,246 S	6/1985	Murry	D555,372 S	11/2007	Lin
4,529,247 A	7/1985	Stumpf et al.	D555,380 S	11/2007	Farber
D288,388 S	2/1987	Ochsner	D557,515 S	12/2007	Breen
D288,506 S	3/1987	Ochsner	D557,916 S	12/2007	Dietrich
D289,120 S	4/1987	Chadwick et al.	D560,918 S	2/2008	Fuksas
4,744,603 A	5/1988	Knoblock	D562,019 S	2/2008	Lievore
D315,123 S	3/1991	Spiegel et al.	D566,412 S	4/2008	Van Severen
5,015,038 A	5/1991	Mrotz	D572,029 S	7/2008	Bouroullec et al.
5,123,702 A	6/1992	Caruso	D572,914 S *	7/2008	Overthun et al. .... D6/334
5,169,210 A	12/1992	Fricano	D573,363 S	7/2008	Pillet
D332,703 S	1/1993	Gulliver	D573,806 S *	7/2008	Pillet ..... D6/376
D334,314 S	3/1993	Milton	D578,786 S	10/2008	Cantarutti
D334,487 S	4/1993	Perry	D579,224 S *	10/2008	Fancelli ..... D6/372
D351,510 S	10/1994	Lucci et al.	D581,688 S *	12/2008	Miller et al. .... D6/375
5,364,137 A	11/1994	Shimer	D584,901 S *	1/2009	Massaud ..... D6/366
D358,723 S	5/1995	Kelly et al.	D585,206 S *	1/2009	Mourgue ..... D6/373
5,452,950 A	9/1995	Crenshaw et al.	D585,207 S	1/2009	Bauchet
D365,935 S	1/1996	Dallas	D585,656 S *	2/2009	Massaud ..... D6/366
D366,772 S	2/1996	Pasin	D586,135 S *	2/2009	Lievore ..... D6/366
5,489,145 A	2/1996	Van Hekken	D587,916 S	3/2009	Bouroullec et al.
5,499,413 A	3/1996	Van Hekken	D588,371 S *	3/2009	Picco et al. .... D6/375
D370,360 S	6/1996	Fewchuk	D592,870 S	5/2009	Olano Jauregui
5,601,331 A	2/1997	Austin	D592,876 S	5/2009	Smith et al.
5,653,499 A	8/1997	Goodall	7,530,632 B2	5/2009	Kaloustian et al.
D398,452 S	9/1998	Reddig	D596,871 S	7/2009	Farber
5,816,649 A	10/1998	Shields	D600,035 S	9/2009	Olano Jauregui
D406,195 S	3/1999	Gamberini	D600,052 S	9/2009	Smith et al.
5,954,393 A	9/1999	Perrin	D600,458 S	9/2009	Starck
5,957,534 A	9/1999	Wilkerson et al.	D600,464 S *	9/2009	Olano Jauregui ..... D6/373
D417,342 S	12/1999	Holbrook	D607,225 S *	1/2010	Bauchet ..... D6/375
D417,795 S	12/1999	Rashid	D614,415 S *	4/2010	Konno ..... D6/366
D422,424 S	4/2000	Gehry et al.	D618,922 S	7/2010	Fuchs
D422,806 S	4/2000	Neil	D636,612 S	4/2011	Overthun et al.
6,059,357 A	5/2000	Peart	D636,613 S	4/2011	Overthun et al.
D426,973 S	6/2000	Risdall	D646,085 S	10/2011	Overthun et al.
6,073,997 A	6/2000	Koh	D646,497 S	10/2011	Overthun et al.
6,082,822 A	7/2000	Kelly et al.	D647,316 S *	10/2011	Kim ..... D6/375
D440,064 S	4/2001	Deacon	D648,560 S *	11/2011	Sandona ..... D6/375
6,286,901 B1	9/2001	Ritch et al.	D652,657 S *	1/2012	Behar et al. .... D6/500
D456,186 S	4/2002	Liu	D654,712 S *	2/2012	Wilson et al. .... D6/366
D457,007 S	5/2002	Pearce et al.	D655,099 S *	3/2012	Werner ..... D6/371
D458,764 S *	6/2002	Starck ..... D6/366	D656,755 S *	4/2012	Wanders ..... D6/375
6,422,646 B1	7/2002	McNally	D657,582 S *	4/2012	Wilson et al. .... D6/366
D461,327 S	8/2002	Pearce et al.	D657,583 S *	4/2012	Wilson et al. .... D6/366
D471,729 S	3/2003	Glass et al.	D660,054 S *	5/2012	Kane ..... D6/500
D473,081 S	4/2003	Kita	D660,055 S *	5/2012	Kane ..... D6/500
6,588,845 B2	7/2003	Wilkerson et al.	D671,762 S *	12/2012	Azambourg ..... D6/375
D477,921 S	8/2003	Bosman et al.	2005/0012371 A1	1/2005	Mendenhall et al.
D479,053 S	9/2003	Chadwick et al.	2005/0099040 A1	5/2005	Mills et al.
6,669,282 B2	12/2003	Piretti	2007/0284920 A1	12/2007	Mehaffey et al.
6,669,301 B1	12/2003	Funk et al.			
6,776,452 B2	8/2004	Onishi			
D497,487 S	10/2004	Azumi et al.			

OTHER PUBLICATIONS

U.S. Appl. No. 29/439,216, filed Dec. 7, 2012.  
U.S. Appl. No. 29/439,217, filed Dec. 7, 2012.

U.S. Appl. No. 29/439,218, filed Dec. 7, 2012.

\* cited by examiner

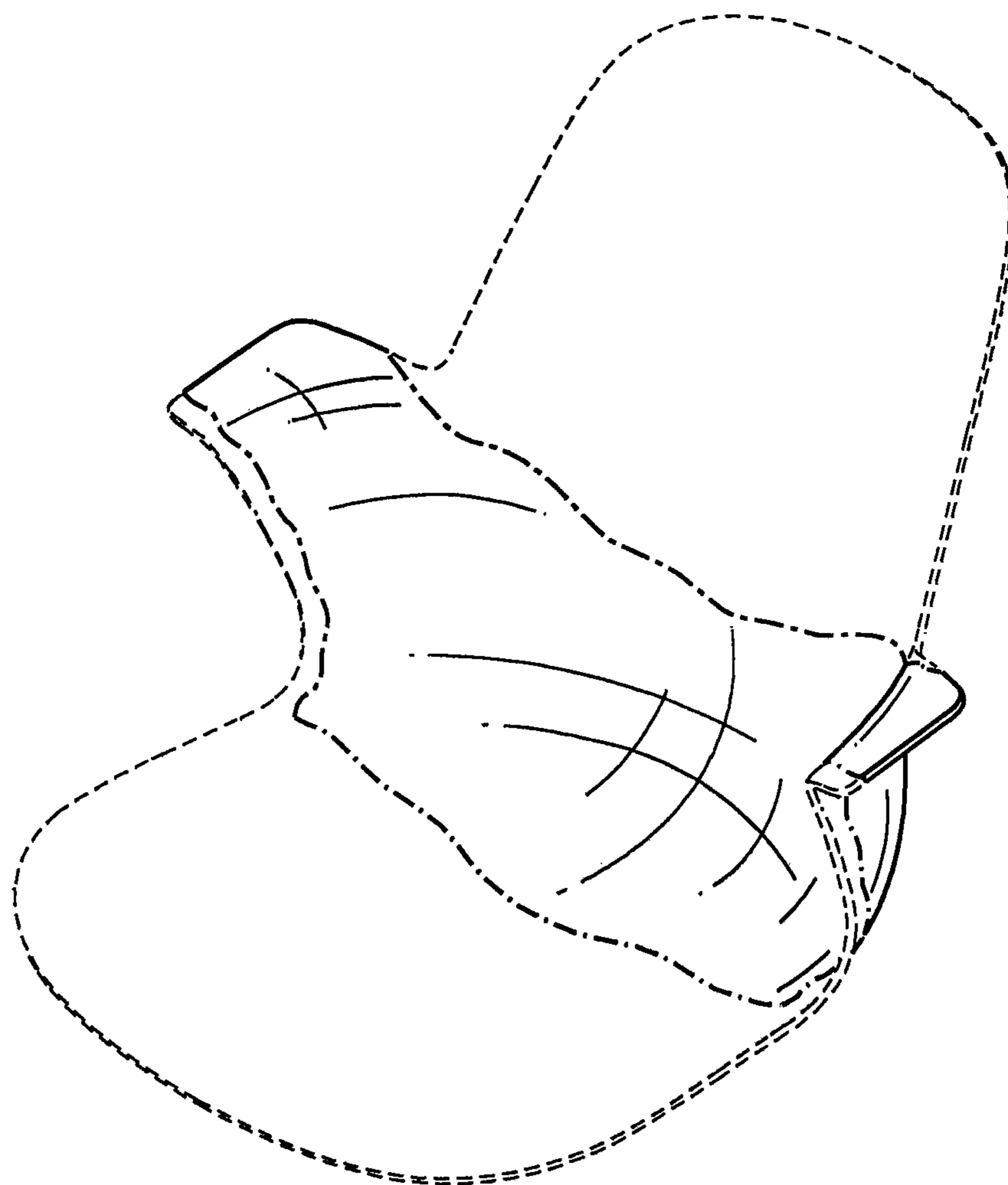


FIG. 1

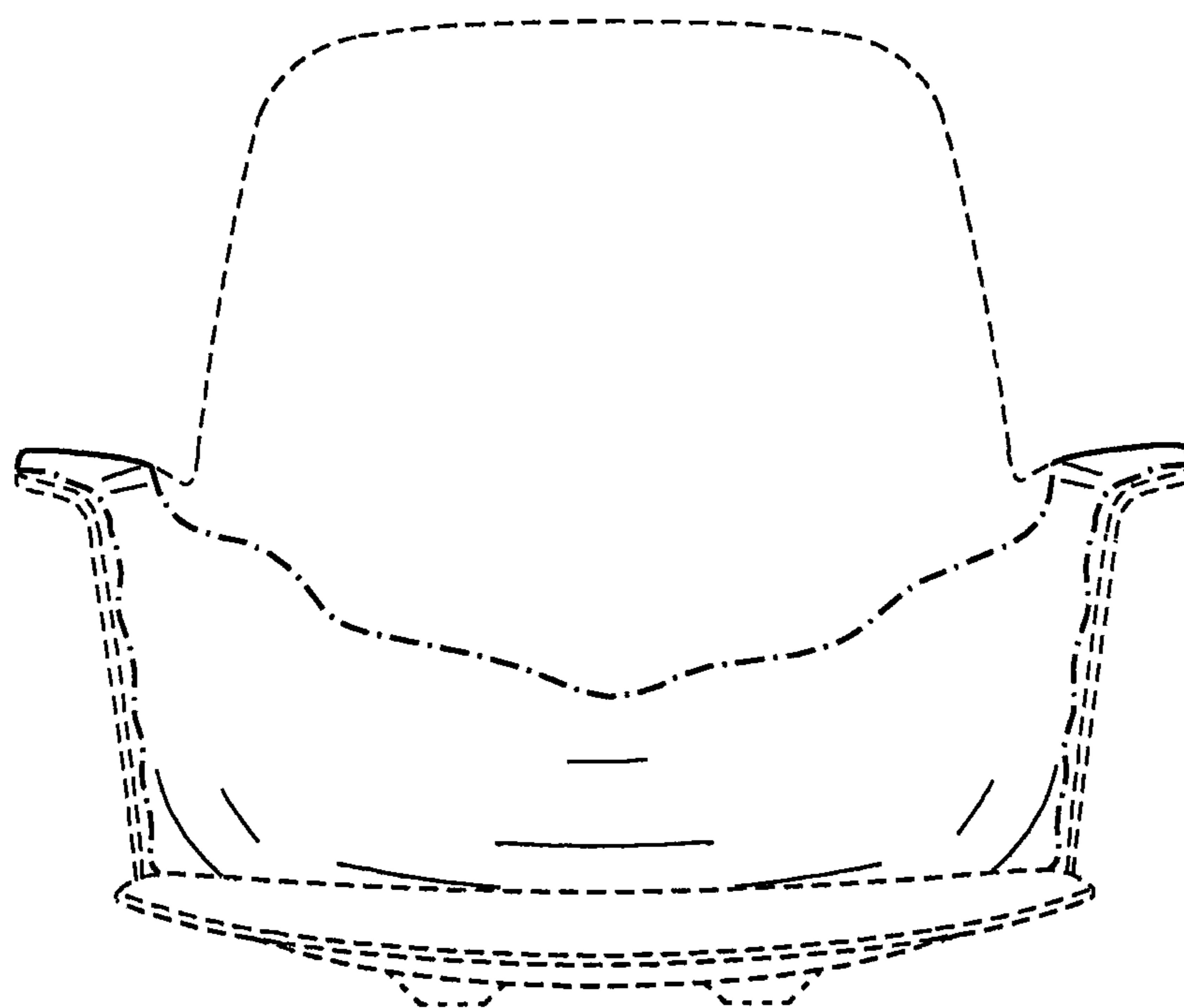


FIG. 2

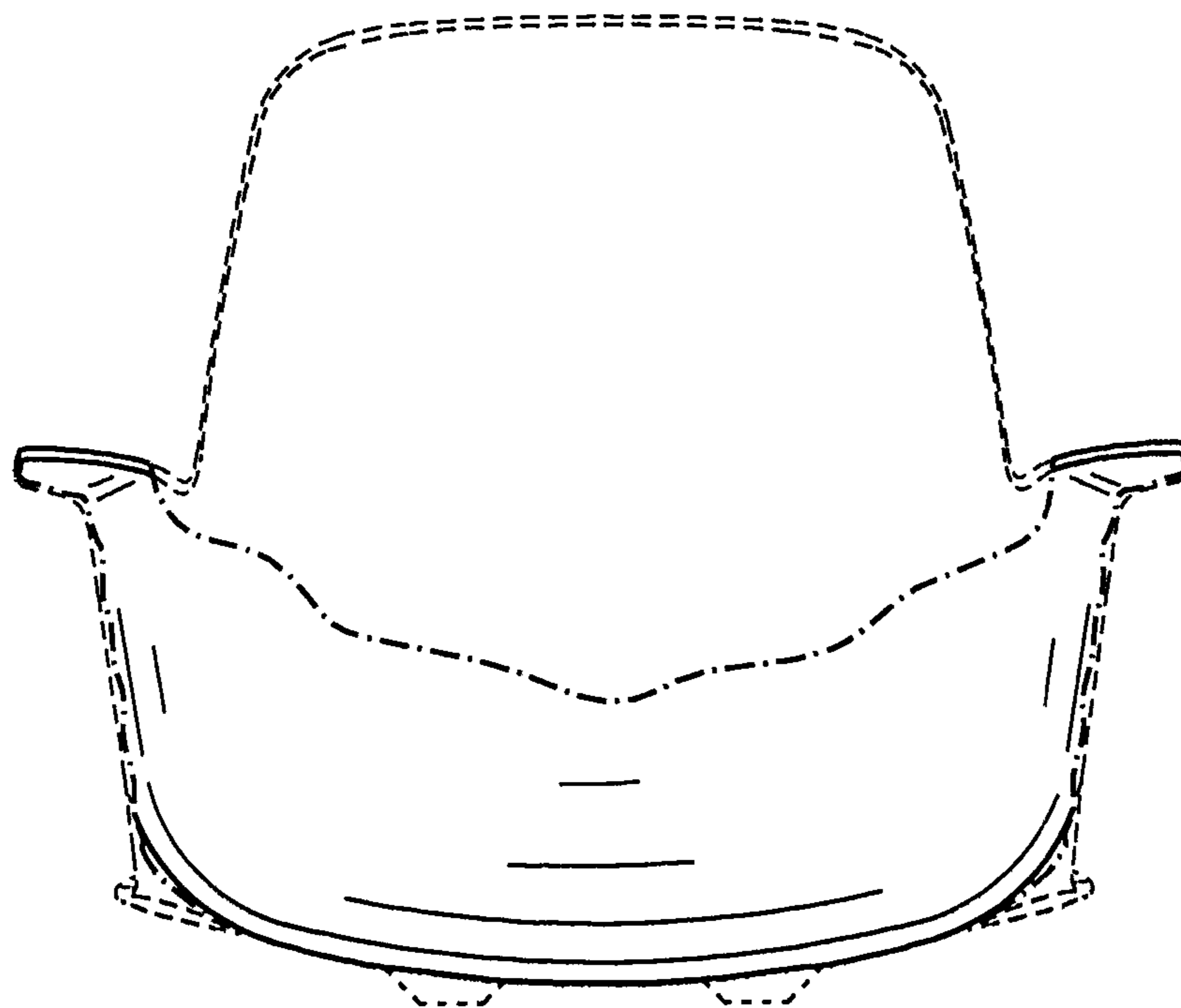


FIG. 3

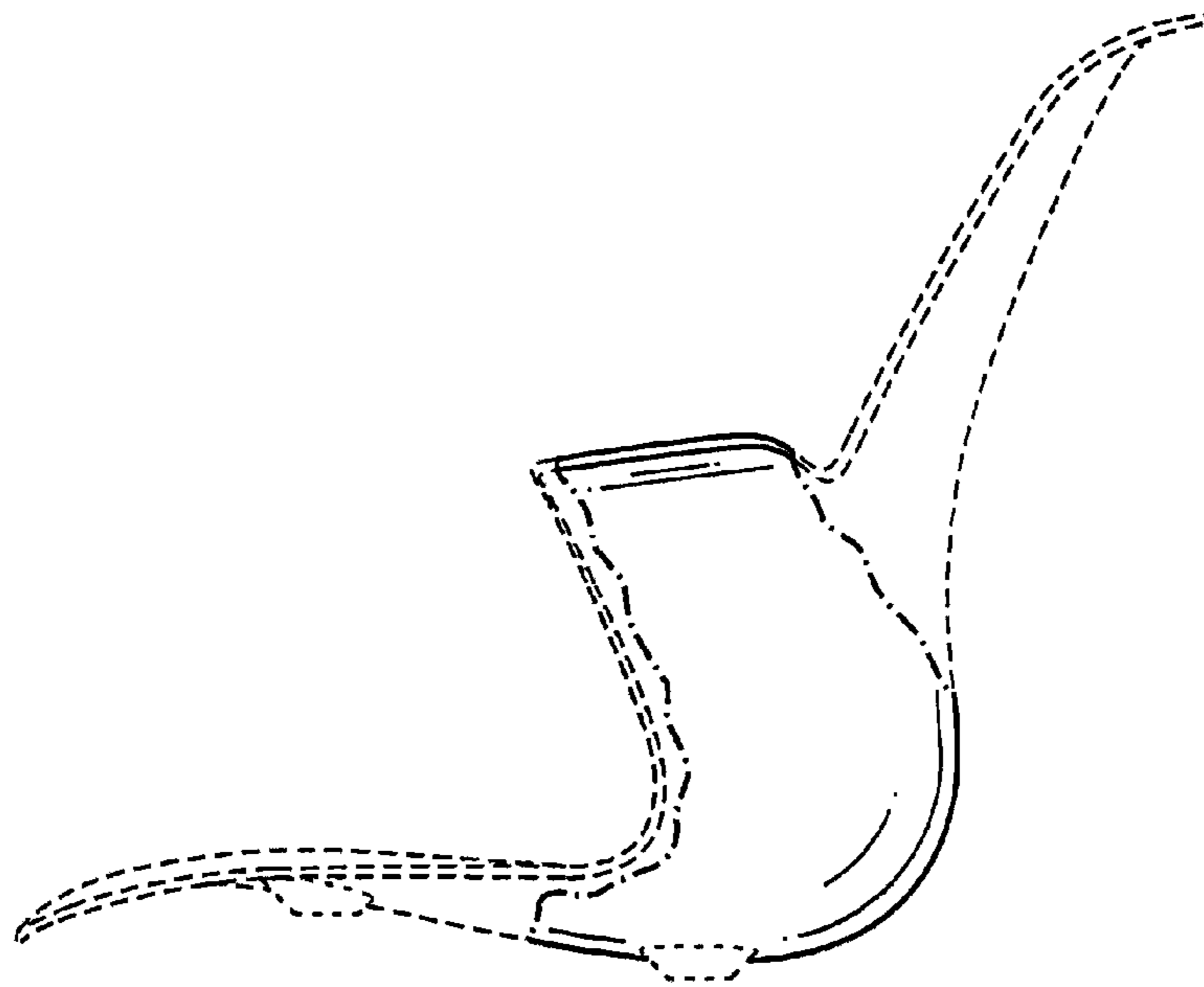


FIG. 4

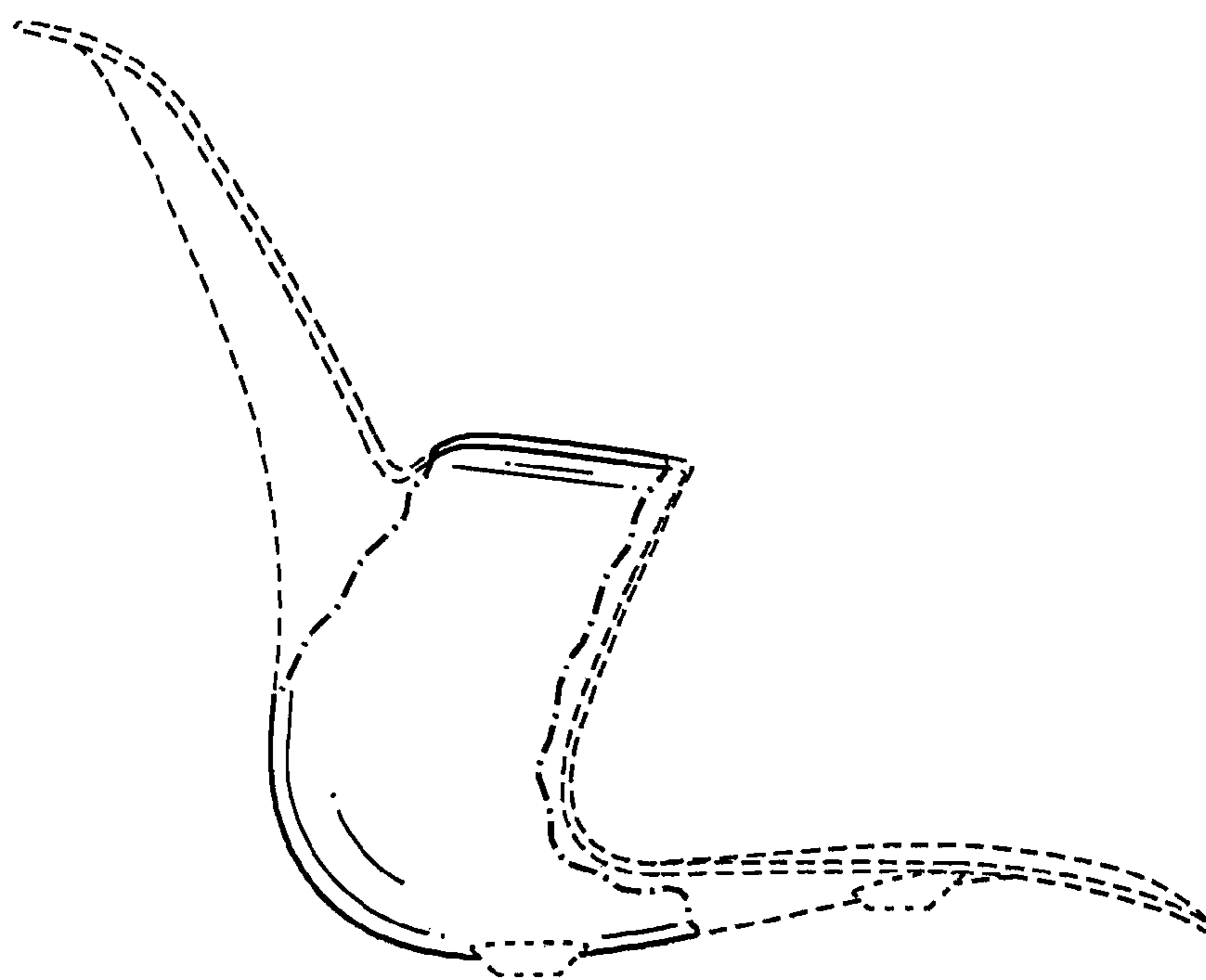


FIG. 5



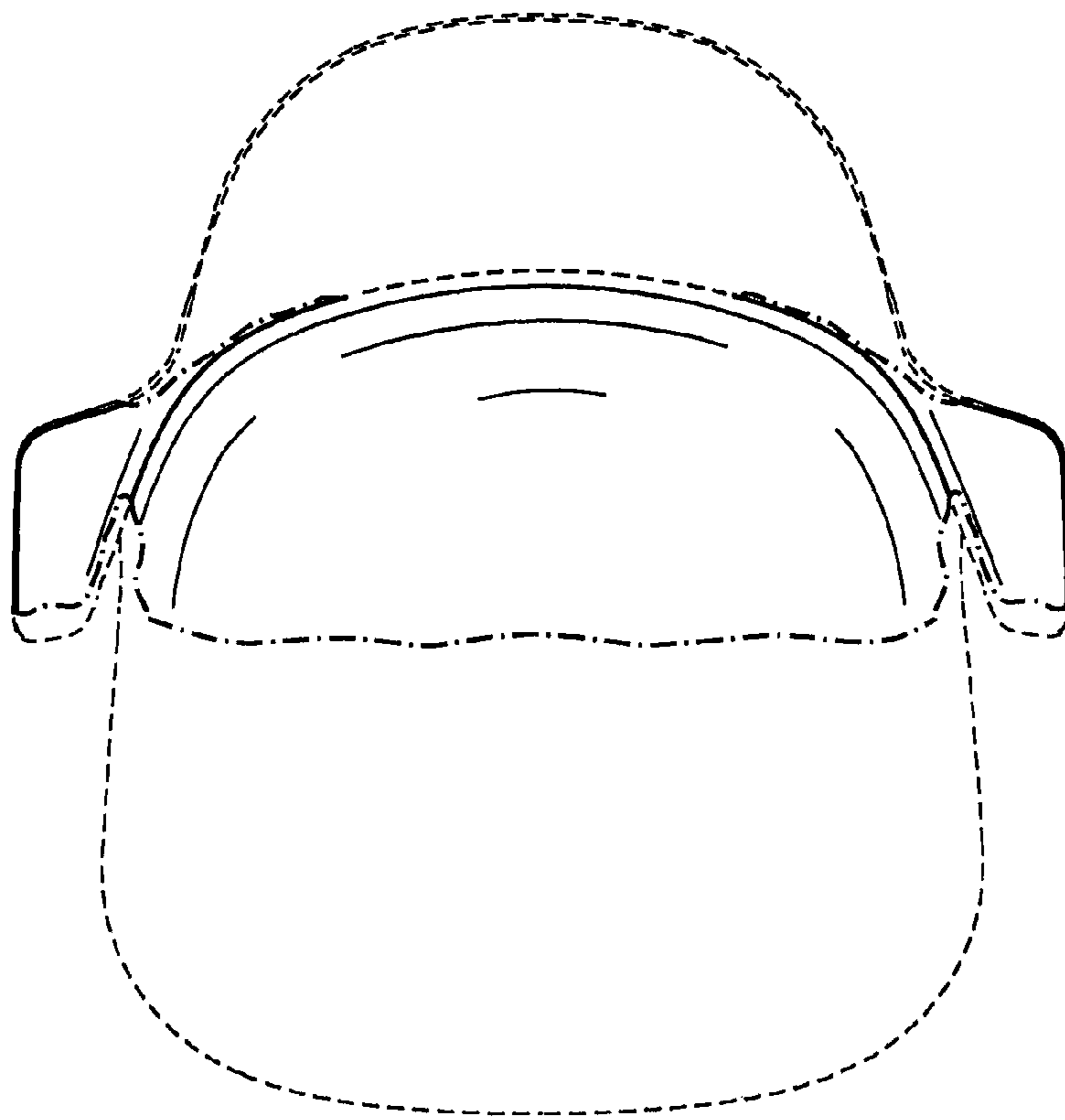


FIG. 6

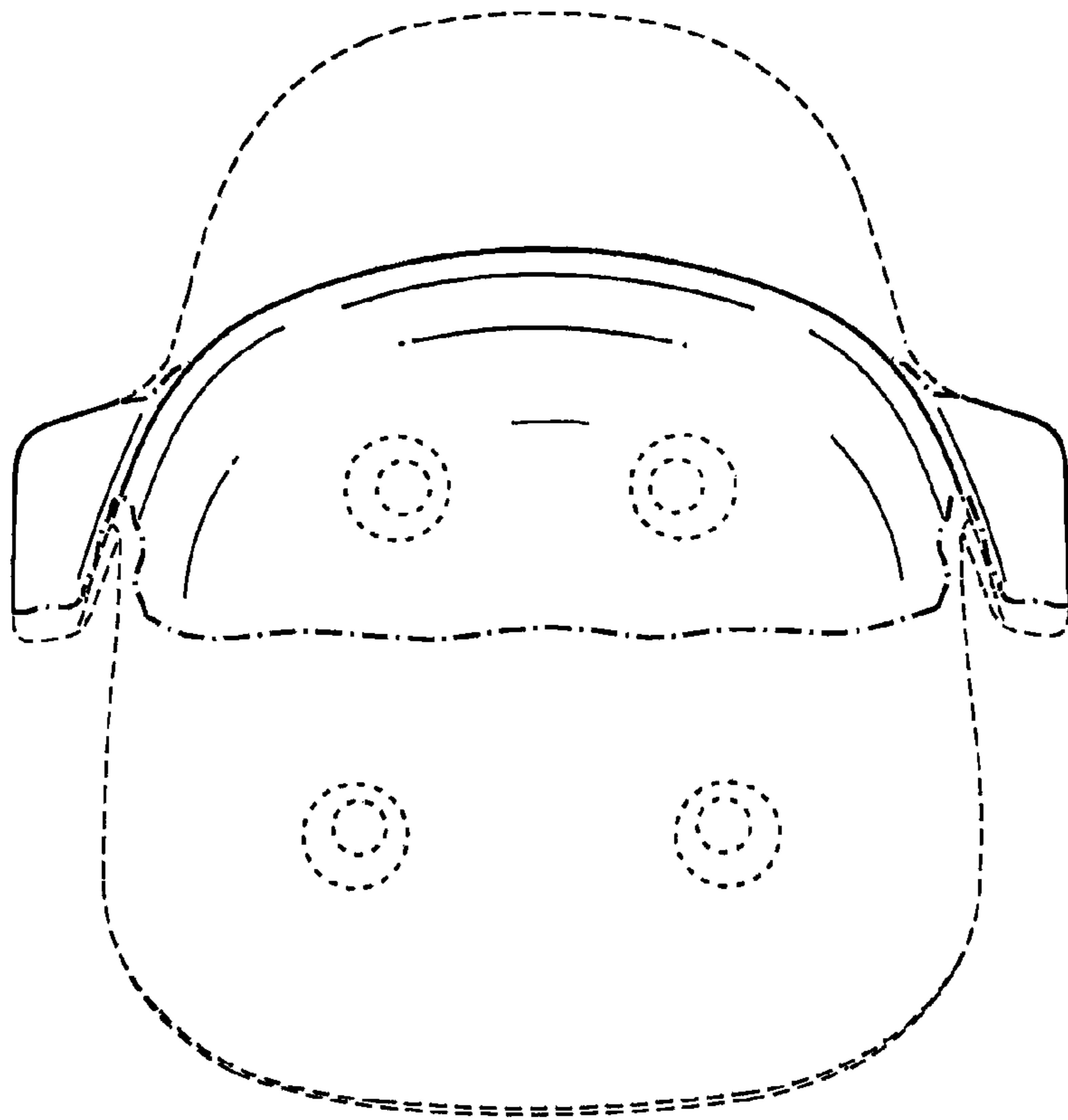


FIG. 7