



US00D679524S

(12) **United States Design Patent**
Corcorran et al.

(10) **Patent No.:** **US D679,524 S**
(45) **Date of Patent:** **** Apr. 9, 2013**

(54) **SEATING UNIT**

297/452.19, 452.21, 452.27, 452.29, 452.3,
297/452.41, 452.56, 452.64

(71) Applicants: **Sean M. Corcorran**, East Grand Rapids, MI (US); **Thomas Overthun**, San Francisco, CA (US); **Elger Oberwelz**, San Francisco, CA (US); **James N. Ludwig**, Grand Rapids, MI (US); **David J. Battey**, Caledonia, MI (US); **Nickolaus William Charles Deevers**, Grand Rapids, MI (US); **Keith Robert Machin**, Wyoming, MI (US)

See application file for complete search history.

(56) **References Cited**

U.S. PATENT DOCUMENTS

1,737 A	8/1840 King
2,343,077 A	2/1944 Parrish
D177,231 S	3/1956 Hail et al.
D181,703 S	12/1957 Bargaen et al.
2,818,107 A	12/1957 Thaden

(Continued)

OTHER PUBLICATIONS

U.S. Appl. No. 29/436,741, filed Nov. 8, 2012.

(Continued)

Primary Examiner — Ricky Pham

(74) *Attorney, Agent, or Firm* — Quarles & Brady LLP

(72) Inventors: **Sean M. Corcorran**, East Grand Rapids, MI (US); **Thomas Overthun**, San Francisco, CA (US); **Elger Oberwelz**, San Francisco, CA (US); **James N. Ludwig**, Grand Rapids, MI (US); **David J. Battey**, Caledonia, MI (US); **Nickolaus William Charles Deevers**, Grand Rapids, MI (US); **Keith Robert Machin**, Wyoming, MI (US)

(73) Assignee: **Steelcase Inc.**, Grand Rapids, MI (US)

(57) **CLAIM**

The ornamental design for a seating unit, as shown and described.

(**) Term: **14 Years**

(21) Appl. No.: **29/439,218**

DESCRIPTION

(22) Filed: **Dec. 7, 2012**

Related U.S. Application Data

(63) Continuation of application No. 29/436,741, filed on Nov. 8, 2012, which is a continuation of application No. 12/987,273, filed on Jan. 10, 2011.

(51) **LOC (9) Cl.** **06-01**

(52) **U.S. Cl.** **D6/500**

(58) **Field of Classification Search** D6/334-336, D6/344-353, 360-381, 388, 403, 491-502, D6/692, 708, 708.23; 297/22, 31, 35, 217.1, 297/239, 256.16, 284.4-284.5, 291, 297, 297/302.4, 411.2, 411.27-411.29, 411.43, 297/423.1, 423.12, 440.15, 451.1, 452.13,

FIG. 1 is a top, front, right perspective view of a seating unit embodying our new design;

FIG. 2 is a front elevational view thereof;

FIG. 3 is a rear elevational view thereof;

FIG. 4 is a right side elevational view thereof;

FIG. 5 is a left side elevational view thereof;

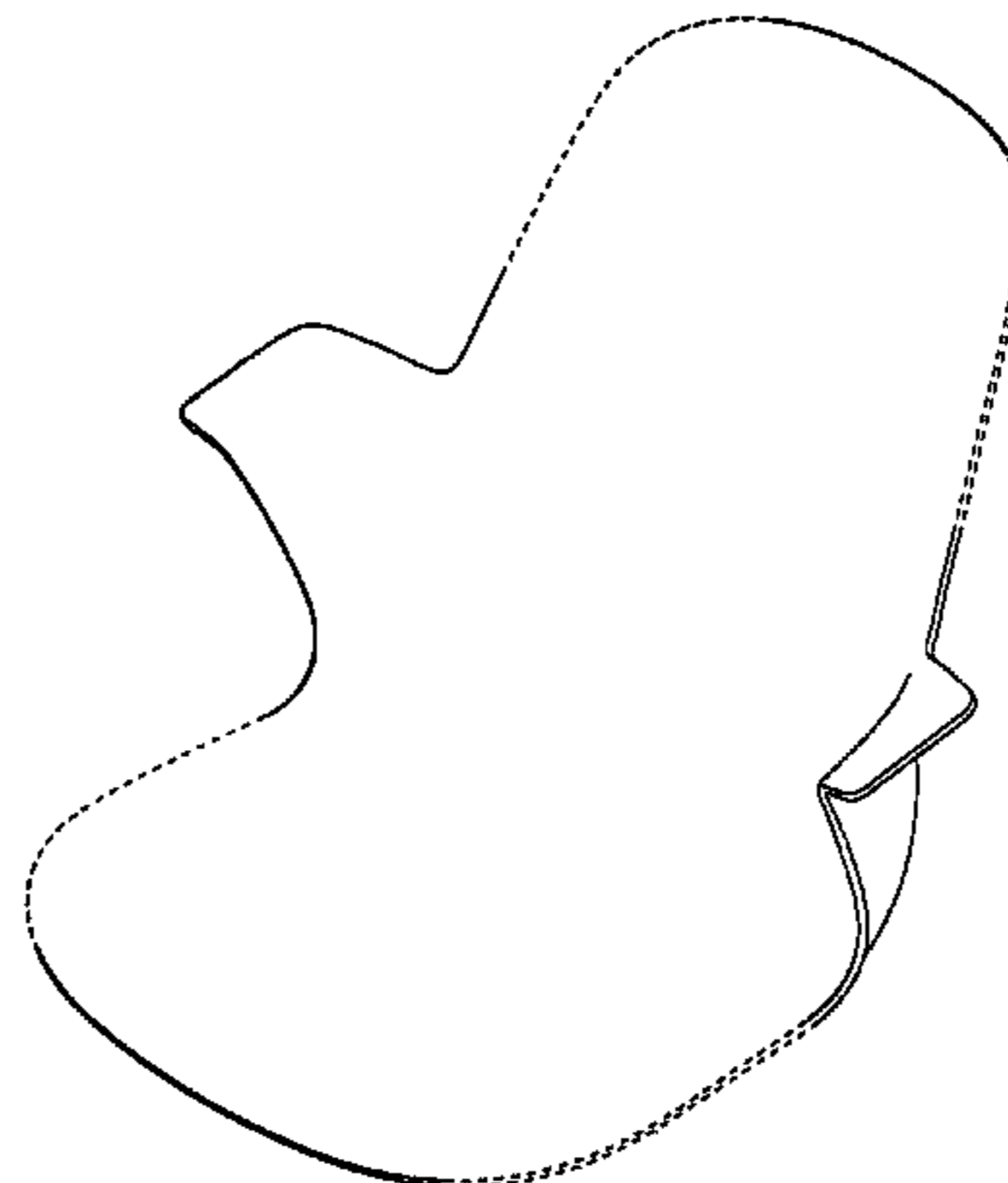
FIG. 6 is a top plan view thereof; and,

FIG. 7 is a bottom plan view thereof.

The broken line representations in the figures show unclaimed environment, and thus form no part of the claimed design.

The nature of this product is a seat for supporting a human in a seated position.

1 Claim, 7 Drawing Sheets



U.S. PATENT DOCUMENTS					
D181,945	S	1/1958 Saارين	6,422,646	B1	7/2002 McNally
D181,975	S	1/1958 Hail et al.	D461,327	S	8/2002 Pearce et al.
D182,790	S	5/1958 Cohen	D471,729	S	3/2003 Glass et al.
D183,416	S	8/1958 Bellmann	D473,081	S	4/2003 Kita
2,845,699	A	8/1958 Woodard	6,588,845	B2	7/2003 Wilkerson et al.
2,989,112	A	6/1961 Sonleitner	D477,921	S	8/2003 Bosman et al.
D192,029	S	1/1962 Avedon et al.	D479,053	S	9/2003 Chadwick et al.
D193,847	S	10/1962 Mason	6,669,282	B2	12/2003 Piretti
D194,980	S	4/1963 De La Riva Careaga et al.	6,669,301	B1	12/2003 Funk et al.
D195,725	S	7/1963 Chapman et al.	6,776,452	B2	8/2004 Onishi
D196,429	S	10/1963 Johnson	D497,487	S	10/2004 Azumi et al.
D198,628	S	7/1964 Chapman et al.	D502,016	S	2/2005 Goodworth
D202,550	S	10/1965 Kramer	D503,560	S	4/2005 Rowland et al.
D205,939	S	10/1966 Laverne	D504,026	S	4/2005 Glass et al.
D207,262	S	3/1967 Maurer et al.	D505,022	S	5/2005 Mills et al.
D209,282	S	11/1967 Boyd et al.	D507,890	S	8/2005 Mills et al.
3,361,472	A	1/1968 Hasbrouck	D511,416	S	11/2005 Obbitts et al.
D219,376	S	12/1970 Pearson	D512,846	S	12/2005 Goodworth
3,572,831	A	3/1971 Barecki et al.	D513,892	S	1/2006 Glass et al.
3,574,400	A	4/1971 Day	D514,829	S	2/2006 Glass et al.
3,586,367	A	6/1971 Cincotta	D518,304	S	4/2006 Crescenti
3,712,668	A	1/1973 Fink	D518,968	S	4/2006 Magnani et al.
3,712,669	A	1/1973 Cates	D525,445	S	7/2006 Liu et al.
D226,648	S	4/1973 Sobel	D525,446	S	7/2006 Farber
D230,669	S	3/1974 Hendrickson	D542,039	S	5/2007 Glass et al.
D230,670	S	3/1974 Begge	D544,230	S	6/2007 Glass et al.
D244,978	S	7/1977 Polsky et al.	D546,085	S	7/2007 Ritch et al.
D245,378	S	8/1977 Roericht	D546,087	S	7/2007 Rashid
4,062,590	A	12/1977 Polsky et al.	D547,980	S	8/2007 Glass et al.
4,136,908	A	1/1979 Crayne	D548,475	S *	8/2007 Ritch et al. D6/368
D264,149	S	5/1982 Buhk	D549,018	S	8/2007 Glass et al.
4,427,232	A	1/1984 Malm	D550,466	S *	9/2007 Molina et al. D6/366
D274,771	S	7/1984 Ambasz et al.	D550,471	S	9/2007 Igarashi
D279,246	S	6/1985 Murry	D552,856	S	10/2007 Chan
4,529,247	A	7/1985 Stumpf et al.	D553,380	S	10/2007 Natuzzi
D288,388	S	2/1987 Ochsner	D554,386	S	11/2007 Nobles et al.
D288,506	S	3/1987 Ochsner	D555,372	S	11/2007 Lin
D289,120	S	4/1987 Chadwick et al.	D555,380	S	11/2007 Farber
4,744,603	A	5/1988 Knoblock	D557,515	S	12/2007 Breen
D315,123	S	3/1991 Spiegel et al.	D557,916	S	12/2007 Dietrich
5,015,038	A	5/1991 Mrotz	D560,918	S	2/2008 Fuksas
5,123,702	A	6/1992 Caruso	D562,019	S	2/2008 Lievore
5,169,210	A	12/1992 Fricano	D566,412	S	4/2008 Van Severen
D332,703	S	1/1993 Gulliver	D572,029	S	7/2008 Bouroullec et al.
D334,314	S	3/1993 Milton	D572,914	S *	7/2008 Overthun et al. D6/334
D334,487	S	4/1993 Perry	D573,363	S	7/2008 Pillet
D351,510	S	10/1994 Lucci et al.	D573,806	S *	7/2008 Pillet D6/376
5,364,137	A	11/1994 Shimer	D578,786	S	10/2008 Cantarutti
D358,723	S	5/1995 Kelly et al.	D579,224	S *	10/2008 Fancelli D6/372
5,452,950	A	9/1995 Crenshaw et al.	D581,688	S *	12/2008 Miller et al. D6/375
D365,935	S	1/1996 Dallas	D584,901	S *	1/2009 Massaud D6/366
D366,772	S	2/1996 Pasin	D585,206	S *	1/2009 Mourgue D6/373
5,489,145	A	2/1996 Van Hekken	D585,207	S	1/2009 Bauchet
5,499,413	A	3/1996 Van Hekken	D585,656	S *	2/2009 Massaud D6/366
D370,360	S	6/1996 Fewchuk	D586,135	S *	2/2009 Lievore D6/366
5,601,331	A	2/1997 Austin	D587,916	S	3/2009 Bouroullec et al.
5,653,499	A	8/1997 Goodall	D588,371	S *	3/2009 Picco et al. D6/375
D398,452	S	9/1998 Reddig	D592,870	S	5/2009 Olano Jauregui
5,816,649	A	10/1998 Shields	D592,876	S	5/2009 Smith et al.
D406,195	S	3/1999 Gamberini	7,530,632	B2	5/2009 Kaloustian et al.
5,954,393	A	9/1999 Perrin	D596,871	S	7/2009 Farber
5,957,534	A	9/1999 Wilkerson et al.	D600,035	S	9/2009 Olano Jauregui
D417,342	S	12/1999 Holbrook	D600,052	S	9/2009 Smith et al.
D417,795	S	12/1999 Rashid	D600,458	S	9/2009 Starck
D422,424	S	4/2000 Gehry et al.	D600,464	S *	9/2009 Olano Jauregui D6/373
D422,806	S	4/2000 Neil	D607,225	S *	1/2010 Bauchet D6/375
6,059,357	A	5/2000 Peart	D614,415	S *	4/2010 Konno D6/366
D426,973	S	6/2000 Risdall	D618,922	S	7/2010 Fuchs
6,073,997	A	6/2000 Koh	D636,612	S	4/2011 Overthun et al.
6,082,822	A	7/2000 Kelly et al.	D636,613	S	4/2011 Overthun et al.
D440,064	S	4/2001 Deacon	D646,085	S	10/2011 Overthun et al.
6,286,901	B1	9/2001 Ritch et al.	D646,497	S	10/2011 Overthun et al.
D456,186	S	4/2002 Liu	D647,316	S *	10/2011 Kim D6/375
D457,007	S	5/2002 Pearce et al.	D648,560	S *	11/2011 Sandona D6/375
D458,764	S *	6/2002 Starck D6/366	D652,657	S *	1/2012 Behar et al. D6/500
			D654,712	S *	2/2012 Wilson et al. D6/366
			D655,099	S *	3/2012 Werner D6/371
			D656,755	S *	4/2012 Wanders D6/375
			D657,582	S *	4/2012 Wilson et al. D6/366

US D679,524 S

Page 3

D657,583	S	*	4/2012	Wilson et al.	D6/366
D660,054	S	*	5/2012	Kane	D6/500
D660,055	S	*	5/2012	Kane	D6/500
D671,762	S	*	12/2012	Azambourg	D6/375
2005/0012371	A1		1/2005	Mendenhall et al.	
2005/0099040	A1		5/2005	Mills et al.	
2007/0284920	A1		12/2007	Mehaffey et al.	

OTHER PUBLICATIONS

U.S. Appl. No. 29/439,216, filed Dec. 7, 2012.

U.S. Appl. No. 29/439,217, filed Dec. 7, 2012.

U.S. Appl. No. 29/439,221, filed Dec. 7, 2012.

* cited by examiner

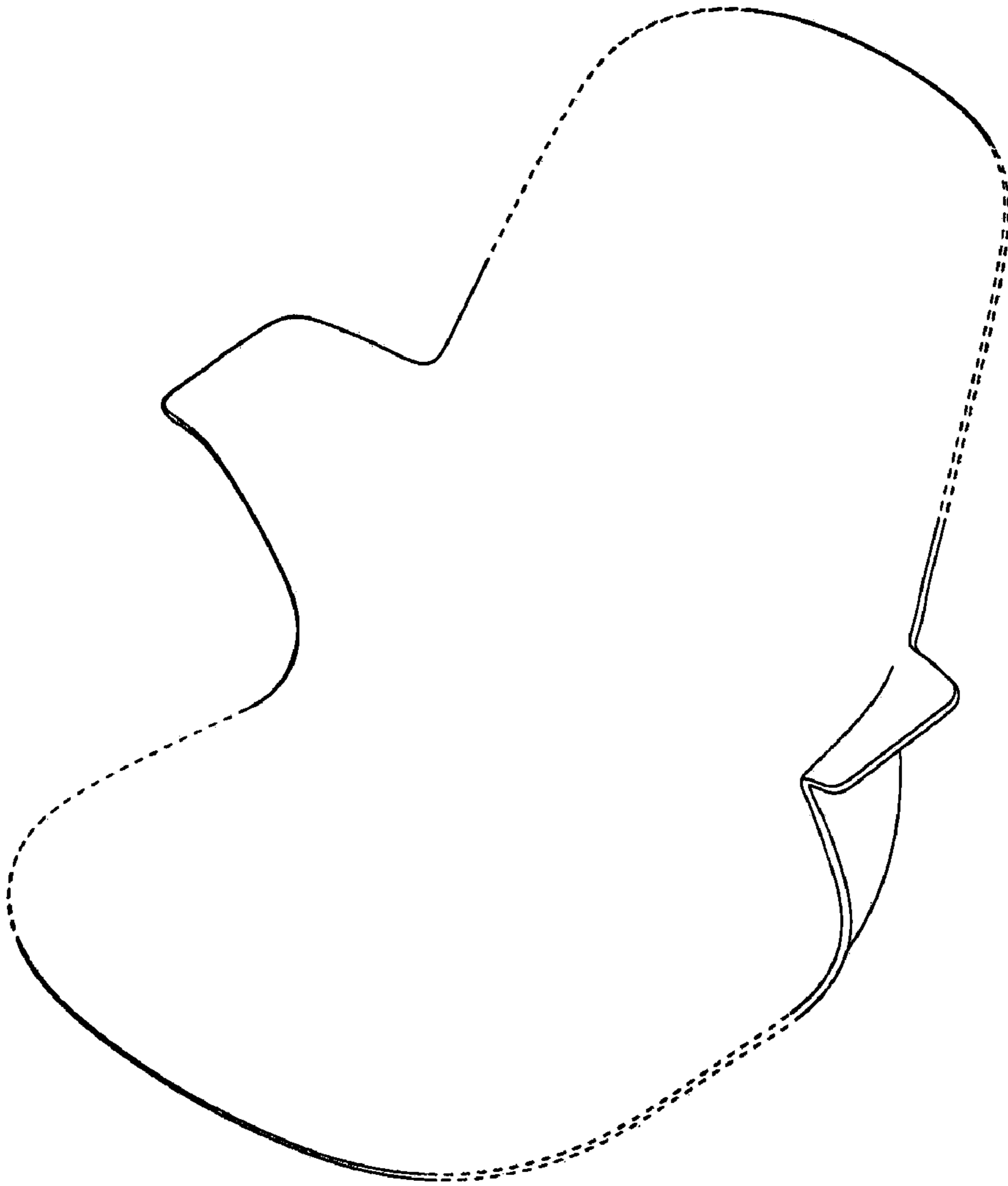


FIG. 1

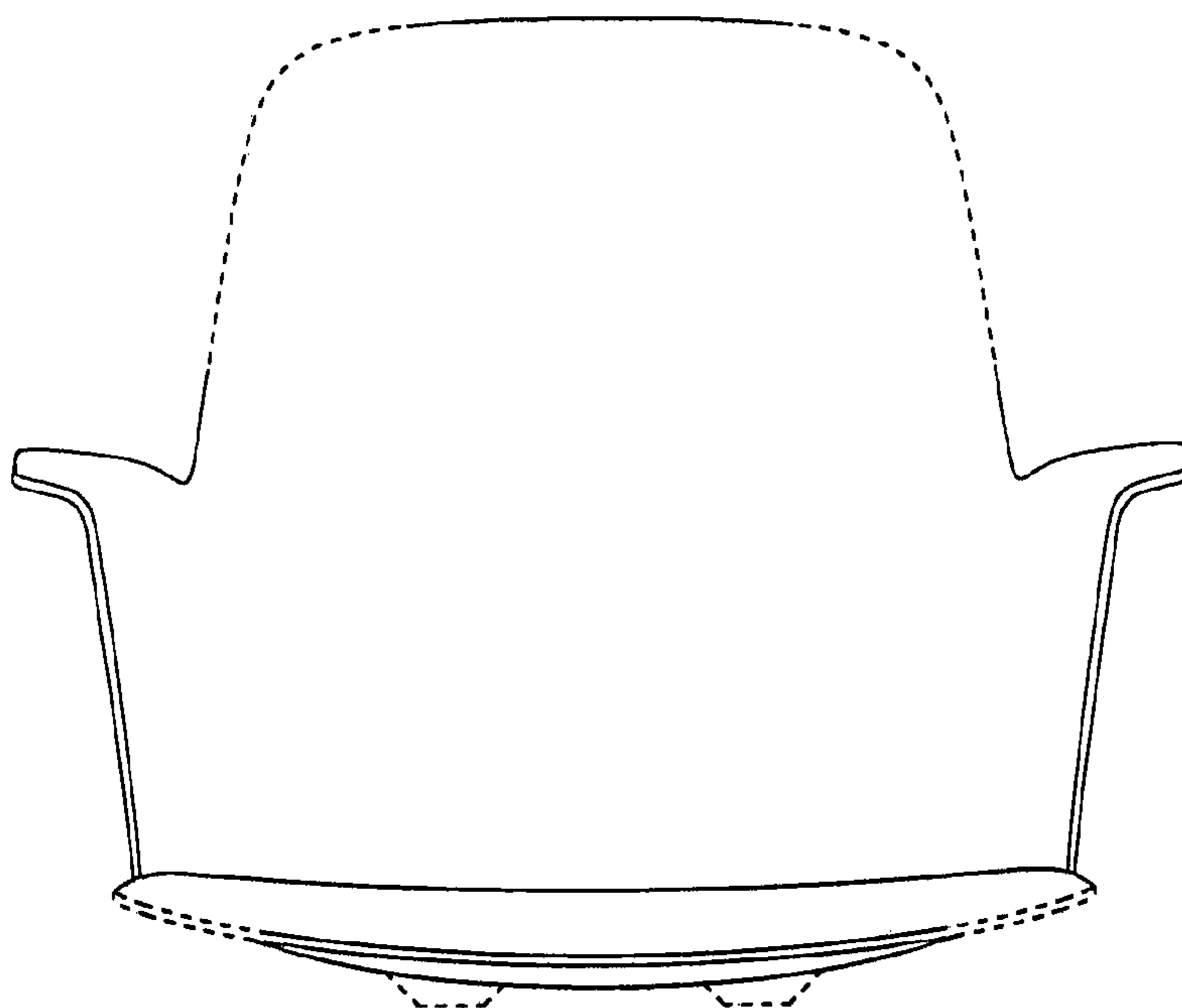


FIG. 2

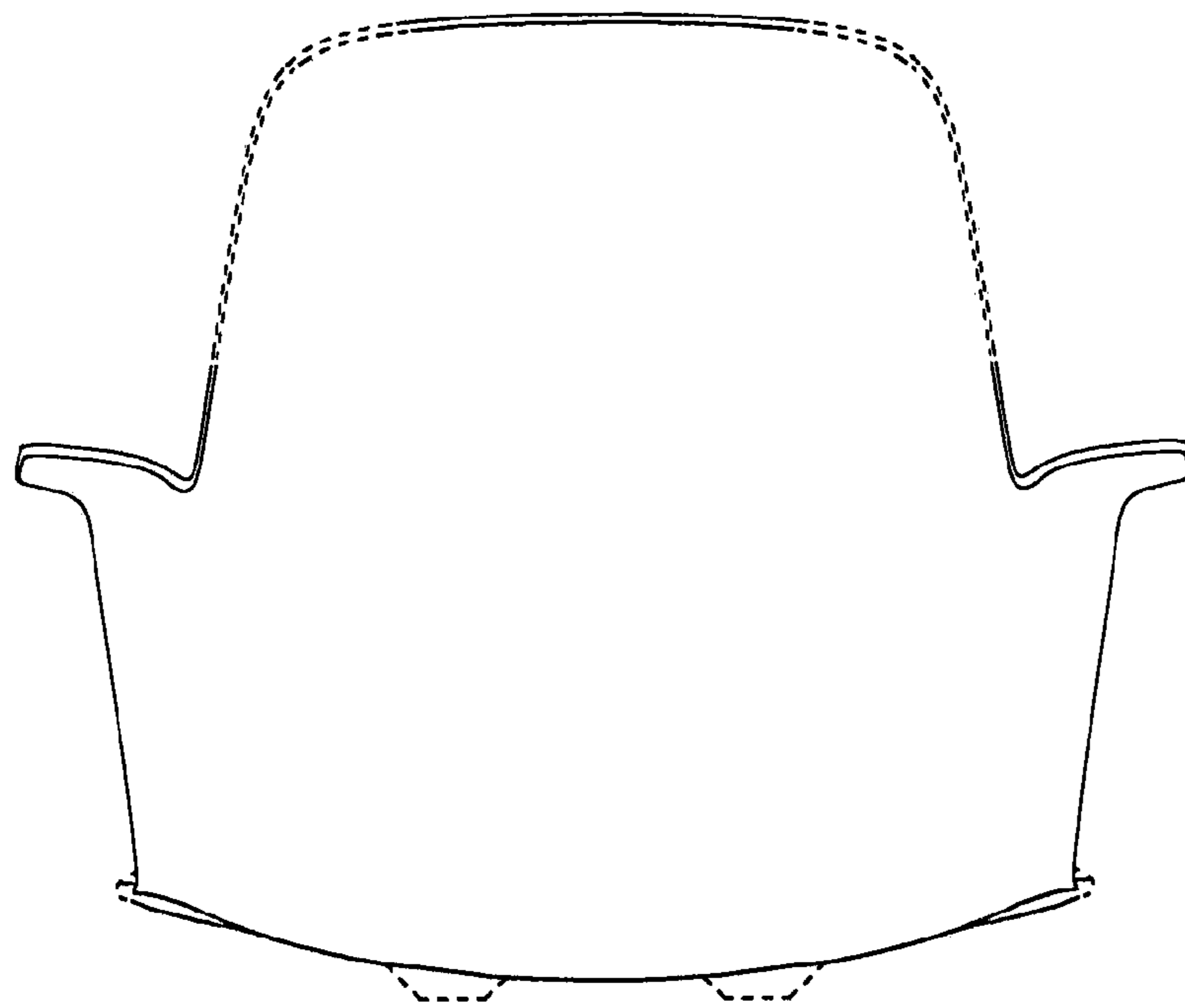


FIG. 3

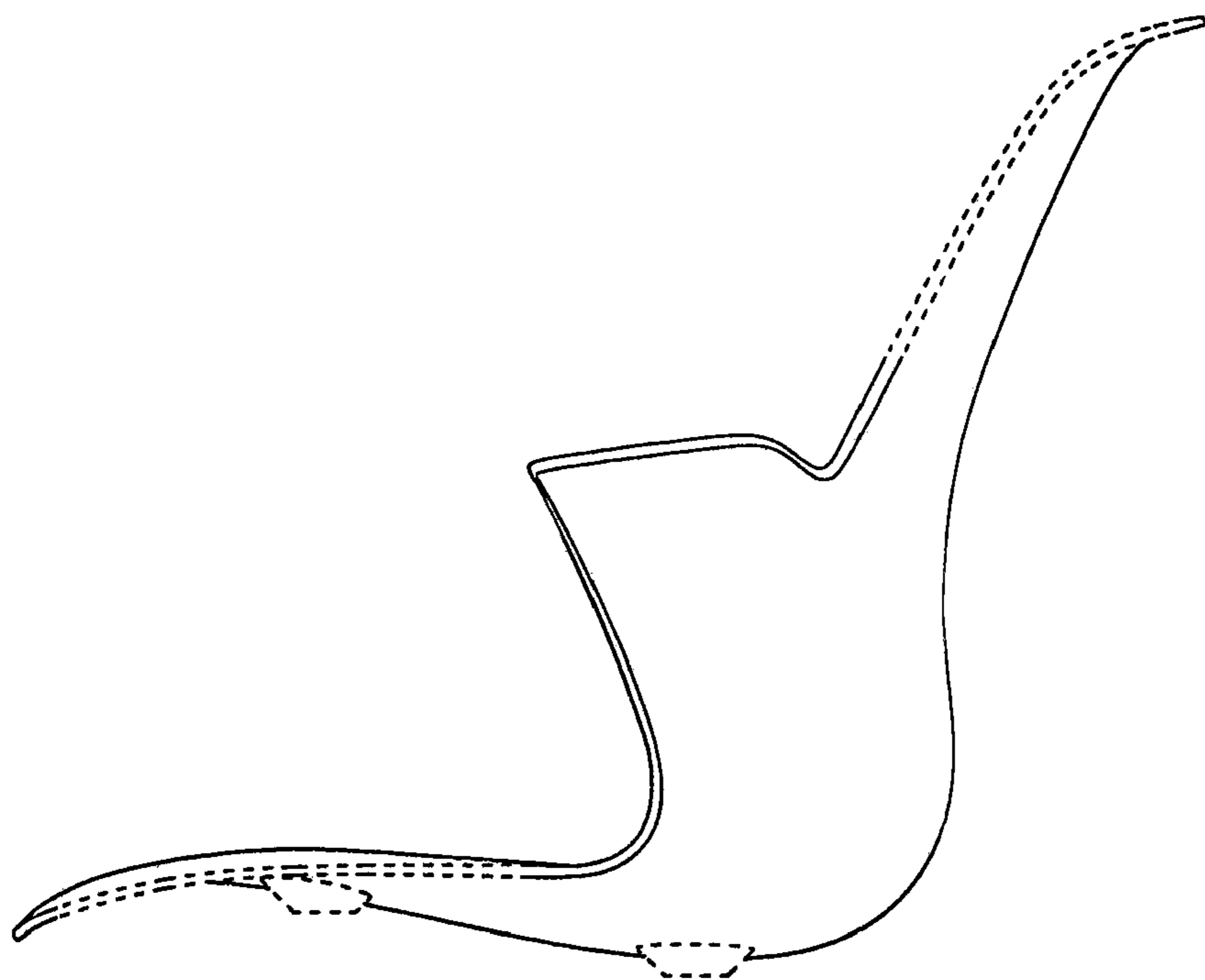


FIG. 4

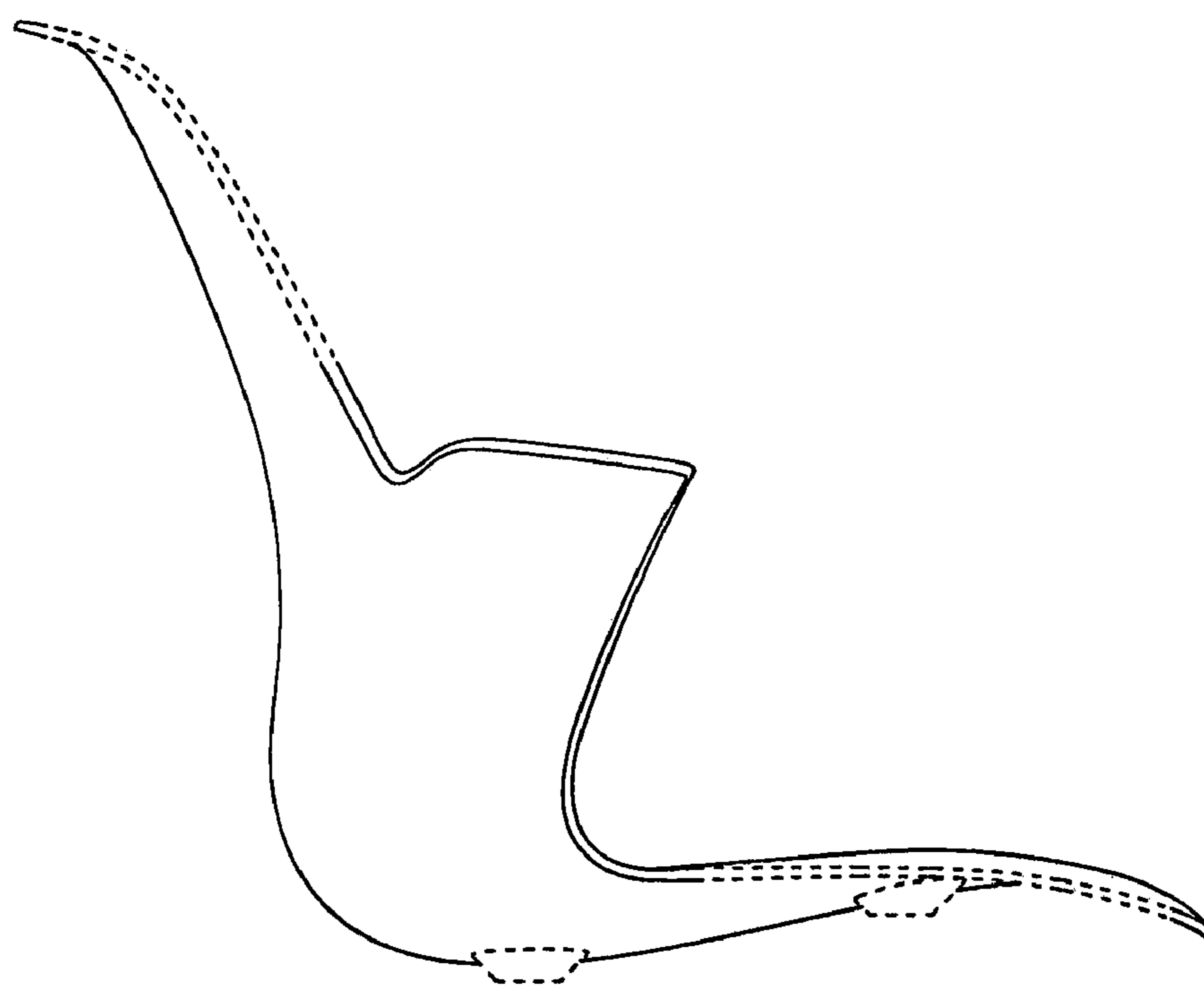


FIG. 5

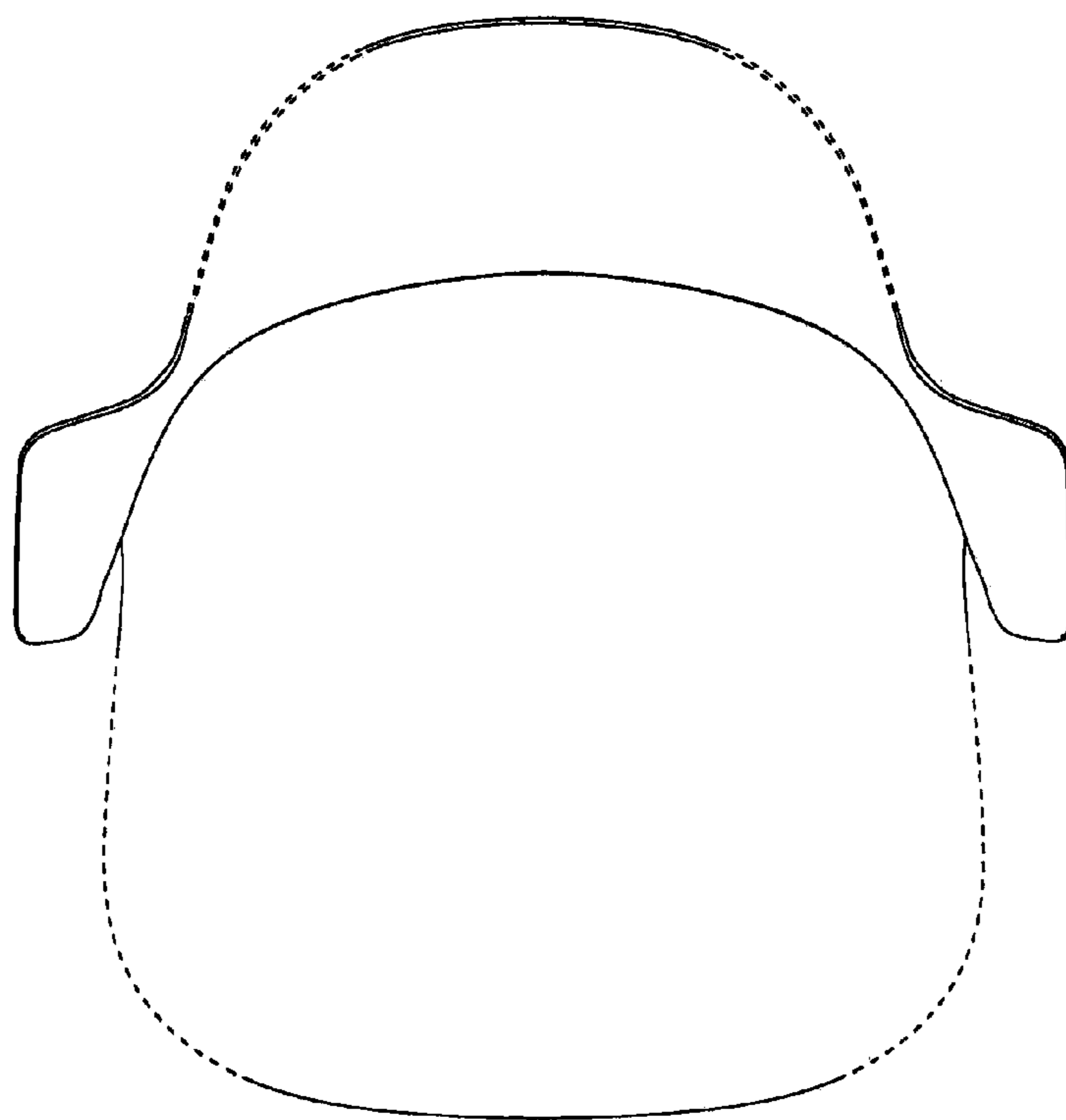


FIG. 6

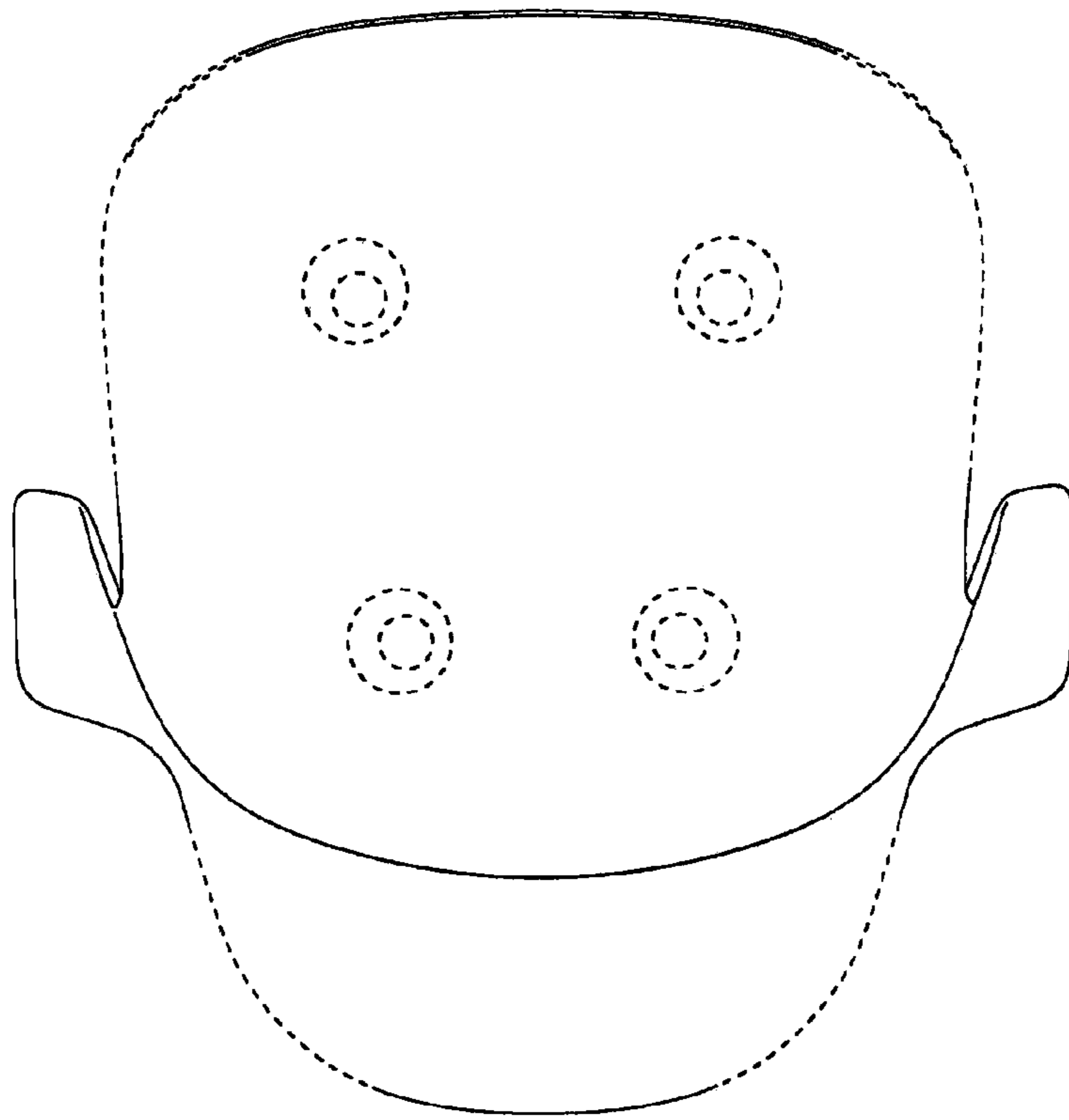


FIG. 7