



US00D679523S

(12) **United States Design Patent**
Corcorran et al.

(10) **Patent No.:** **US D679,523 S**

(45) **Date of Patent:** **** Apr. 9, 2013**

(54) **SEATING UNIT**

(71) Applicants: **Sean M. Corcorran**, East Grand Rapids, MI (US); **Thomas Overthun**, San Francisco, CA (US); **Elger Oberwelz**, San Francisco, CA (US); **James N. Ludwig**, Grand Rapids, MI (US); **David J. Battey**, Caledonia, MI (US); **Nickolaus William Charles Deevers**, Grand Rapids, MI (US); **Keith Robert Machin**, Wyoming, MI (US)

(72) Inventors: **Sean M. Corcorran**, East Grand Rapids, MI (US); **Thomas Overthun**, San Francisco, CA (US); **Elger Oberwelz**, San Francisco, CA (US); **James N. Ludwig**, Grand Rapids, MI (US); **David J. Battey**, Caledonia, MI (US); **Nickolaus William Charles Deevers**, Grand Rapids, MI (US); **Keith Robert Machin**, Wyoming, MI (US)

(73) Assignee: **Steelcase Inc.**, Grand Rapids, MI (US)

(**) Term: **14 Years**

(21) Appl. No.: **29/439,217**

(22) Filed: **Dec. 7, 2012**

Related U.S. Application Data

(63) Continuation of application No. 29/436,741, filed on Nov. 8, 2012, which is a continuation of application No. 12/987,273, filed on Jan. 10, 2011.

(51) **LOC (9) Cl.** **06-01**

(52) **U.S. Cl.** **D6/500**

(58) **Field of Classification Search** D6/334-336, D6/344-353, 360-381, 388, 403, 491-502, D6/692, 708, 708.23; 297/22, 31, 35, 217.1, 297/239, 256.16, 284.4-284.5, 291, 297,

297/302.4, 411.2, 411.27-411.29, 411.43, 297/423.1, 423.12, 440.15, 451.1, 452.13, 297/452.19, 452.21, 452.27, 452.29, 452.3, 297/452.41, 452.56, 452.64

See application file for complete search history.

(56) **References Cited**

U.S. PATENT DOCUMENTS

1,737 A 8/1840 King
(Continued)

OTHER PUBLICATIONS

U.S. Appl. No. 29/436,741, filed Nov. 8, 2012.

(Continued)

Primary Examiner — Ricky Pham

(74) *Attorney, Agent, or Firm* — Quarles & Brady LLP

(57) **CLAIM**

The ornamental design for a seating unit, as shown and described.

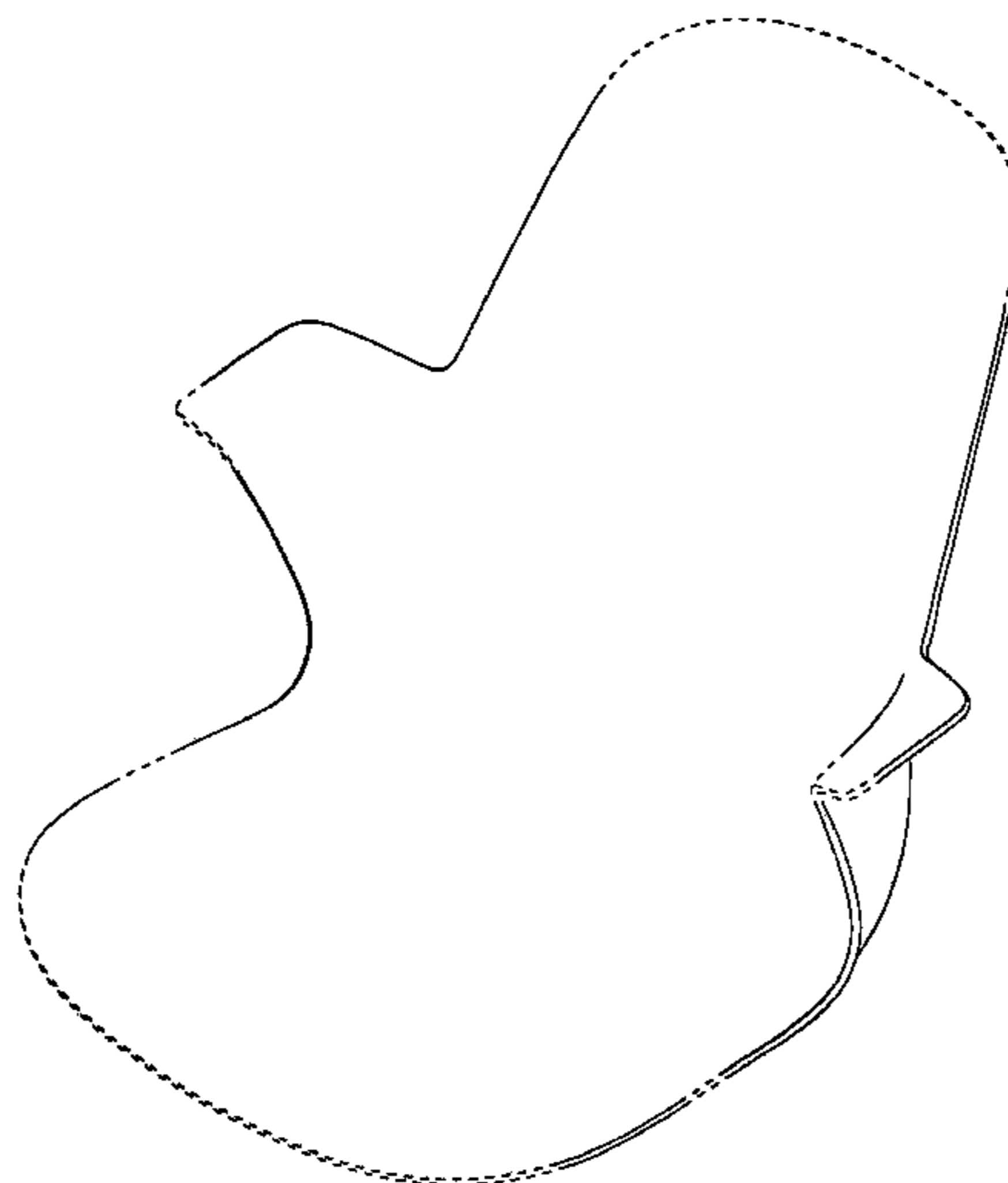
DESCRIPTION

FIG. 1 is a top, front, right perspective view of a seating unit embodying our new design; FIG. 2 is a front elevational view thereof; FIG. 3 is a rear elevational view thereof; FIG. 4 is a right side elevational view thereof; FIG. 5 is a left side elevational view thereof; FIG. 6 is a top plan view thereof; and, FIG. 7 is a bottom plan view thereof.

The broken line representations in the figures show unclaimed environment, and thus form no part of the claimed design.

The nature of this product is a seat for supporting a human in a seated position.

1 Claim, 7 Drawing Sheets



US D679,523 S

U.S. PATENT DOCUMENTS					
2,343,077 A	2/1944	Parrish	D458,764 S *	6/2002	Starck D6/366
D177,231 S	3/1956	Hail et al.	6,422,646 B1	7/2002	McNally
D181,703 S	12/1957	Bargen et al.	D461,327 S	8/2002	Pearce et al.
2,818,107 A	12/1957	Thaden	D471,729 S	3/2003	Glass et al.
D181,945 S	1/1958	Saarinen	D473,081 S	4/2003	Kita
D181,975 S	1/1958	Hail et al.	6,588,845 B2	7/2003	Wilkerson et al.
D182,790 S	5/1958	Cohen	D477,921 S	8/2003	Bosman et al.
D183,416 S	8/1958	Bellmann	D479,053 S	9/2003	Chadwick et al.
2,845,699 A	8/1958	Woodard	6,669,282 B2	12/2003	Piretti
2,989,112 A	6/1961	Sonnleitner	6,669,301 B1	12/2003	Funk et al.
D192,029 S	1/1962	Avedon et al.	6,776,452 B2	8/2004	Onishi
D193,847 S	10/1962	Mason	D497,487 S	10/2004	Azumi et al.
D194,980 S	4/1963	De La Riva Careaga et al.	D502,016 S	2/2005	Goodworth
D195,725 S	7/1963	Chapman et al.	D503,560 S	4/2005	Rowland et al.
D196,429 S	10/1963	Johnson	D504,026 S	4/2005	Glass et al.
D198,628 S	7/1964	Chapman et al.	D505,022 S	5/2005	Mills et al.
D202,550 S	10/1965	Kramer	D507,890 S	8/2005	Mills et al.
D205,939 S	10/1966	Laverne	D511,416 S	11/2005	Obbitts et al.
D207,262 S	3/1967	Maurer et al.	D512,846 S	12/2005	Goodworth
D209,282 S	11/1967	Boyd et al.	D513,892 S	1/2006	Glass et al.
3,361,472 A	1/1968	Hasbrouck	D514,829 S	2/2006	Glass et al.
D219,376 S	12/1970	Pearson	D518,304 S	4/2006	Crescenti
3,572,831 A	3/1971	Barecki et al.	D518,968 S	4/2006	Magnani et al.
3,574,400 A	4/1971	Day	D525,445 S	7/2006	Liu et al.
3,586,367 A	6/1971	Cincotta	D525,446 S	7/2006	Farber
3,712,668 A	1/1973	Fink	D542,039 S	5/2007	Glass et al.
3,712,669 A	1/1973	Cates	D544,230 S	6/2007	Glass et al.
D226,648 S	4/1973	Sobel	D546,085 S	7/2007	Ritch et al.
D230,669 S	3/1974	Hendrickson	D546,087 S	7/2007	Rashid
D230,670 S	3/1974	Begge	D547,980 S	8/2007	Glass et al.
D244,978 S	7/1977	Polsky et al.	D548,475 S *	8/2007	Ritch et al. D6/368
D245,378 S	8/1977	Roericht	D549,018 S	8/2007	Glass et al.
4,062,590 A	12/1977	Polsky et al.	D550,466 S *	9/2007	Molina et al. D6/366
4,136,908 A	1/1979	Crayne	D550,471 S	9/2007	Igarashi
D264,149 S	5/1982	Buhk	D552,856 S	10/2007	Chan
4,427,232 A	1/1984	Malm	D553,380 S	10/2007	Natuzzi
D274,771 S	7/1984	Ambasz et al.	D554,386 S	11/2007	Nobles et al.
D279,246 S	6/1985	Murry	D555,372 S	11/2007	Lin
4,529,247 A	7/1985	Stumpf et al.	D555,380 S	11/2007	Farber
D288,388 S	2/1987	Ochsner	D557,515 S	12/2007	Breen
D288,506 S	3/1987	Ochsner	D557,916 S	12/2007	Dietrich
D289,120 S	4/1987	Chadwick et al.	D560,918 S	2/2008	Fuksas
4,744,603 A	5/1988	Knoblock	D562,019 S	2/2008	Lievore
D315,123 S	3/1991	Spiegel et al.	D566,412 S	4/2008	Van Severen
5,015,038 A	5/1991	Mrotz	D572,029 S	7/2008	Bouroullec et al.
5,123,702 A	6/1992	Caruso	D572,914 S *	7/2008	Overthun et al. D6/334
5,169,210 A	12/1992	Fricano	D573,363 S	7/2008	Pillet
D332,703 S	1/1993	Gulliver	D573,806 S *	7/2008	Pillet D6/376
D334,314 S	3/1993	Milton	D578,786 S	10/2008	Cantarutti
D334,487 S	4/1993	Perry	D579,224 S *	10/2008	Fancelli D6/372
D351,510 S	10/1994	Lucci et al.	D581,688 S *	12/2008	Miller et al. D6/375
5,364,137 A	11/1994	Shimer	D584,901 S *	1/2009	Massaud D6/366
D358,723 S	5/1995	Kelly et al.	D585,206 S *	1/2009	Mourgue D6/373
5,452,950 A	9/1995	Crenshaw et al.	D585,207 S	1/2009	Bauchet
D365,935 S	1/1996	Dallas	D585,656 S *	2/2009	Massaud D6/366
D366,772 S	2/1996	Pasin	D586,135 S *	2/2009	Lievore D6/366
5,489,145 A	2/1996	Van Hekken	D587,916 S	3/2009	Bouroullec et al.
5,499,413 A	3/1996	Van Hekken	D588,371 S *	3/2009	Picco et al. D6/375
D370,360 S	6/1996	Fewchuk	D592,870 S	5/2009	Olano Jauregui
5,601,331 A	2/1997	Austin	D592,876 S	5/2009	Smith et al.
5,653,499 A	8/1997	Goodall	7,530,632 B2	5/2009	Kaloustian et al.
D398,452 S	9/1998	Reddig	D596,871 S	7/2009	Farber
5,816,649 A	10/1998	Shields	D600,035 S	9/2009	Olano Jauregui
D406,195 S	3/1999	Gamberini	D600,052 S	9/2009	Smith et al.
5,954,393 A	9/1999	Perrin	D600,458 S	9/2009	Starck
5,957,534 A	9/1999	Wilkerson et al.	D600,464 S *	9/2009	Olano Jauregui D6/373
D417,342 S	12/1999	Holbrook	D607,225 S *	1/2010	Bauchet D6/375
D417,795 S	12/1999	Rashid	D614,415 S *	4/2010	Konno D6/366
D422,424 S	4/2000	Gehry et al.	D618,922 S	7/2010	Fuchs
D422,806 S	4/2000	Neil	D636,612 S	4/2011	Overthun et al.
6,059,357 A	5/2000	Peart	D636,613 S	4/2011	Overthun et al.
D426,973 S	6/2000	Risdall	D646,085 S	10/2011	Overthun et al.
6,073,997 A	6/2000	Koh	D646,497 S	10/2011	Overthun et al.
6,082,822 A	7/2000	Kelly et al.	D647,316 S *	10/2011	Kim D6/375
D440,064 S	4/2001	Deacon	D648,560 S *	11/2011	Sandona D6/375
6,286,901 B1	9/2001	Ritch et al.	D652,657 S *	1/2012	Behar et al. D6/500
D456,186 S	4/2002	Liu	D654,712 S *	2/2012	Wilson et al. D6/366
D457,007 S	5/2002	Pearce et al.	D655,099 S *	3/2012	Werner D6/371
			D656,755 S *	4/2012	Wanders D6/375

US D679,523 S

Page 3

D657,582 S *	4/2012	Wilson et al.	D6/366
D657,583 S *	4/2012	Wilson et al.	D6/366
D660,054 S *	5/2012	Kane	D6/500
D660,055 S *	5/2012	Kane	D6/500
D671,762 S *	12/2012	Azambourg	D6/375
2005/0012371 A1	1/2005	Mendenhall et al.	
2005/0099040 A1	5/2005	Mills et al.	
2007/0284920 A1	12/2007	Mehaffey et al.	

OTHER PUBLICATIONS

U.S. Appl. No. 29/439,216, filed Dec. 7, 2012.

U.S. Appl. No. 29/439,218, filed Dec. 7, 2012.

U.S. Appl. No. 29/439,221, filed Dec. 7, 2012.

* cited by examiner

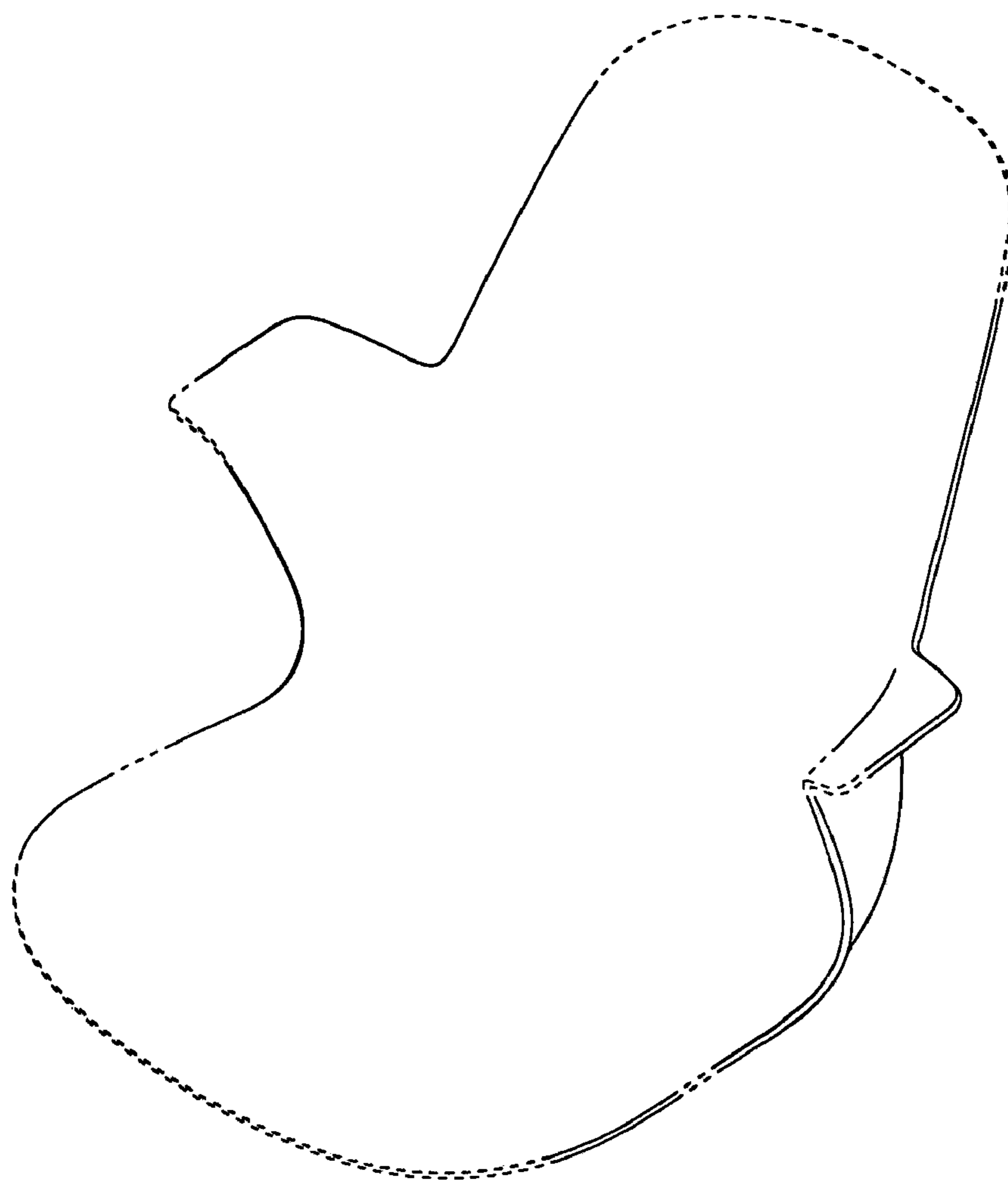


FIG. 1

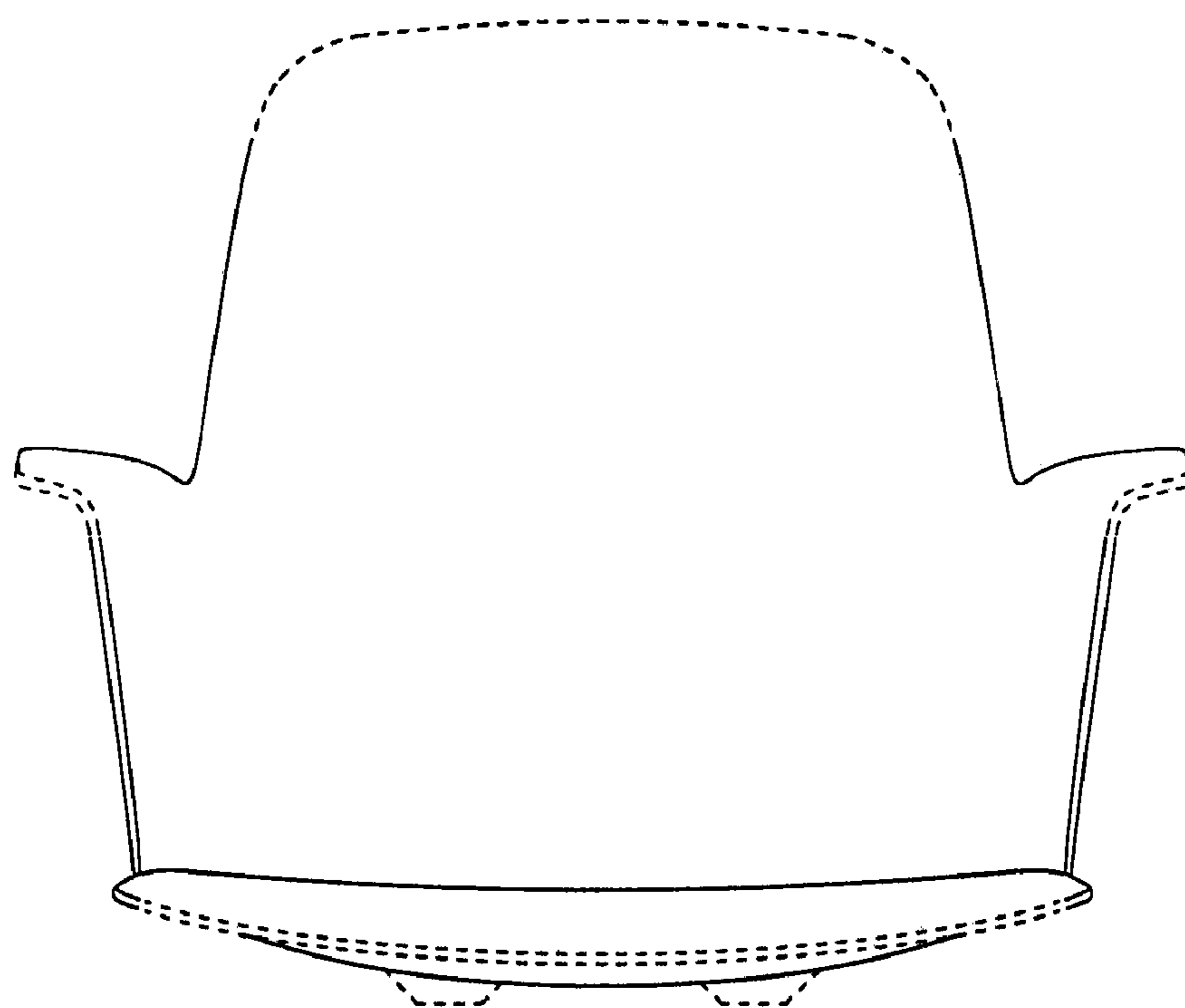


FIG. 2

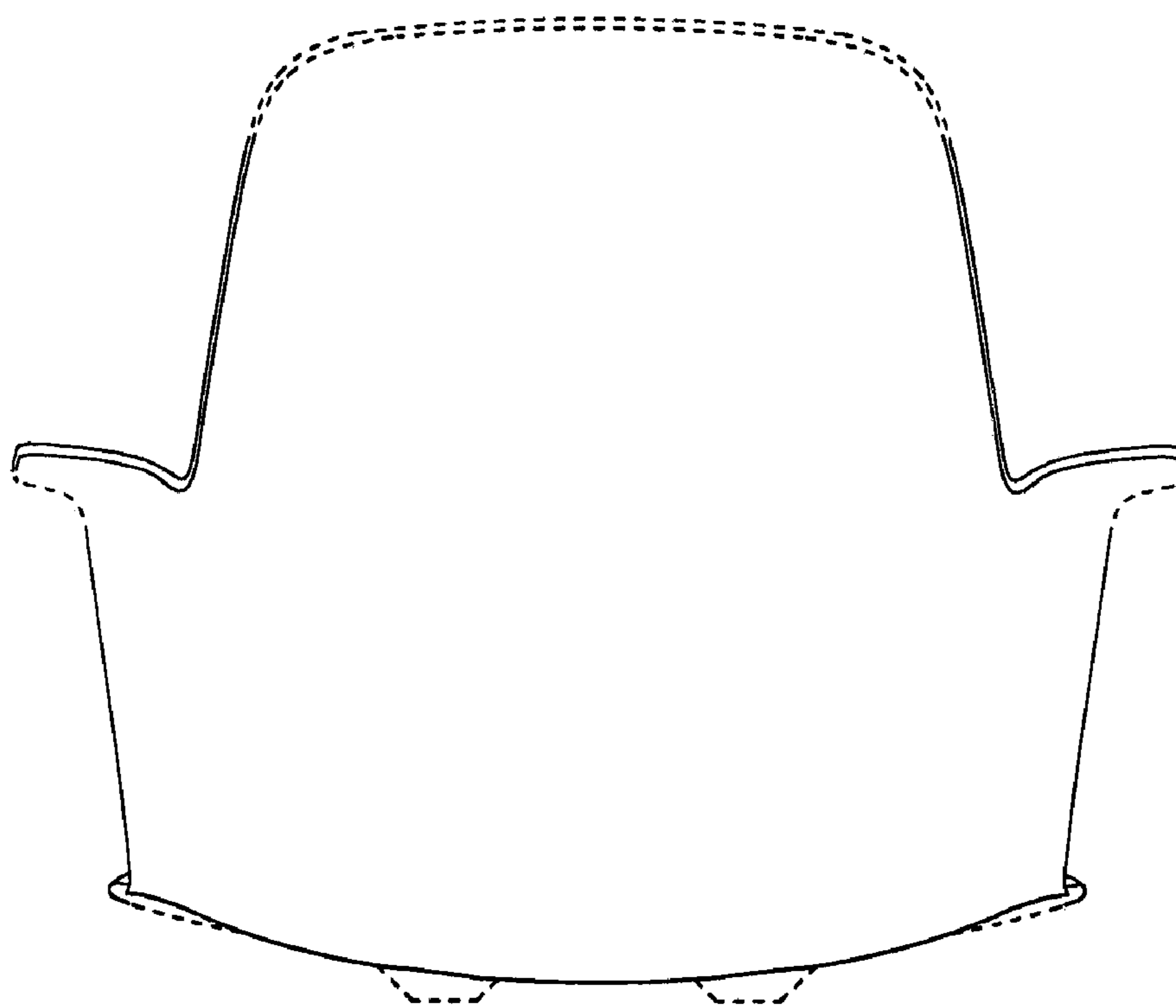


FIG. 3

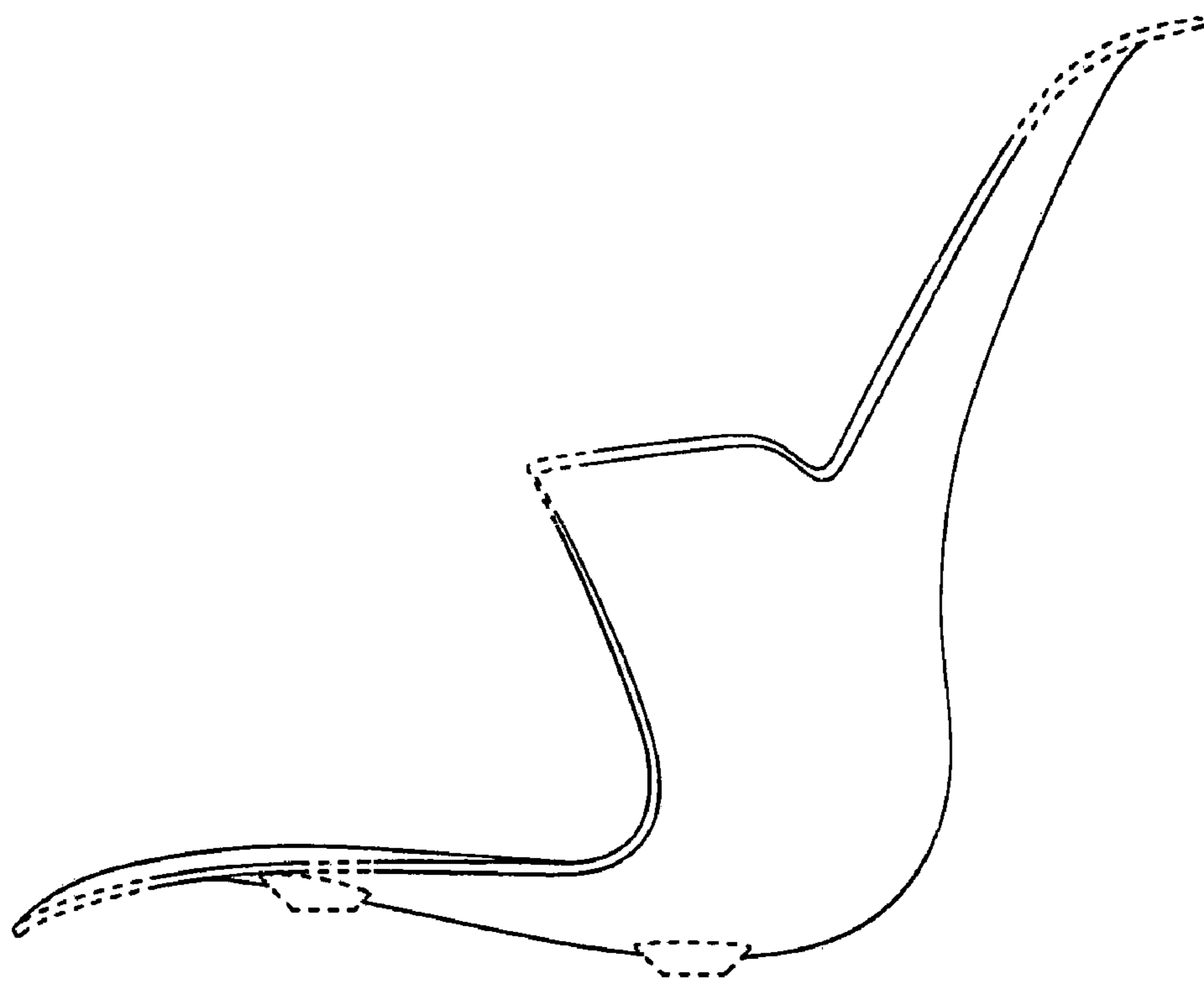


FIG. 4

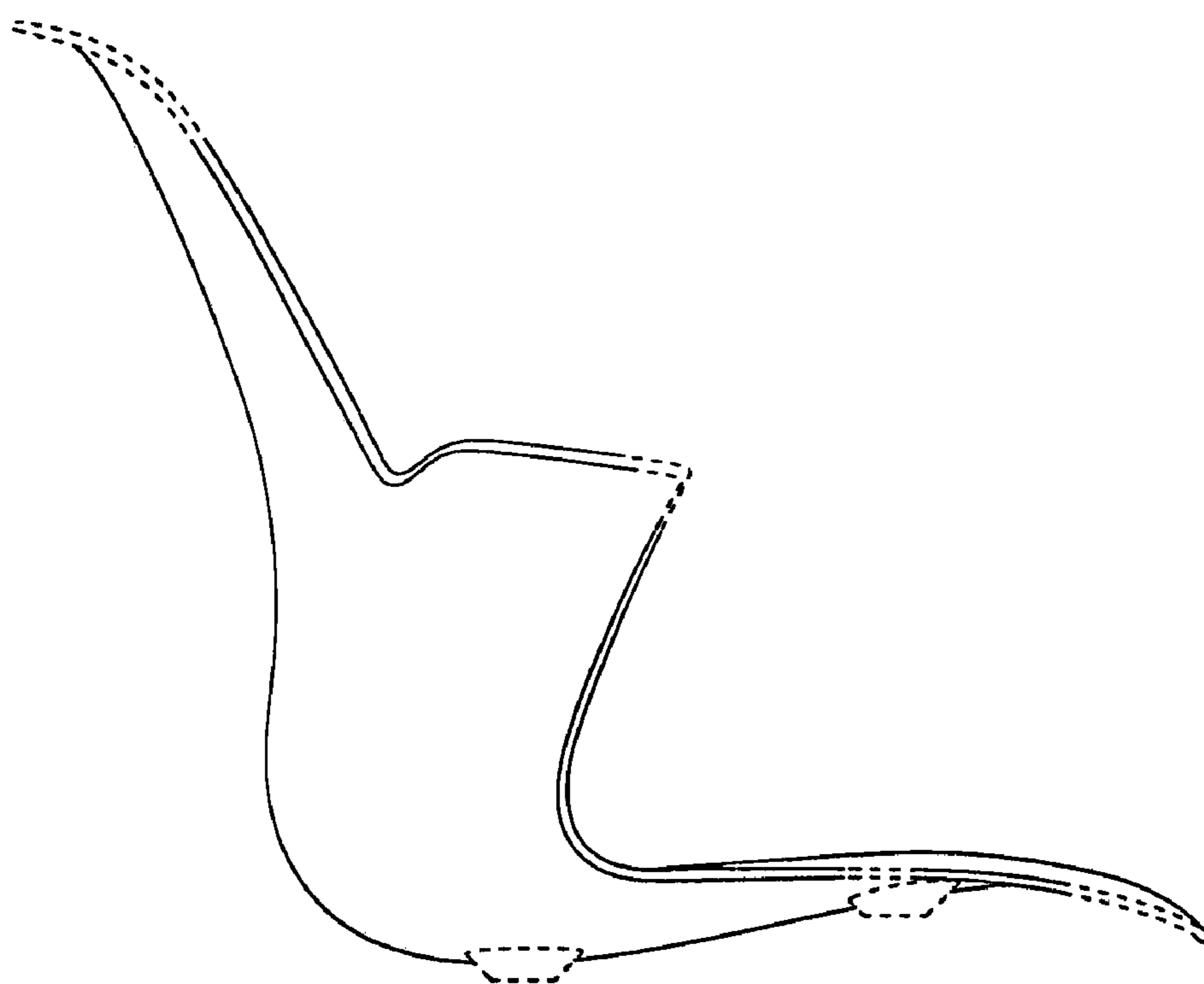


FIG. 5

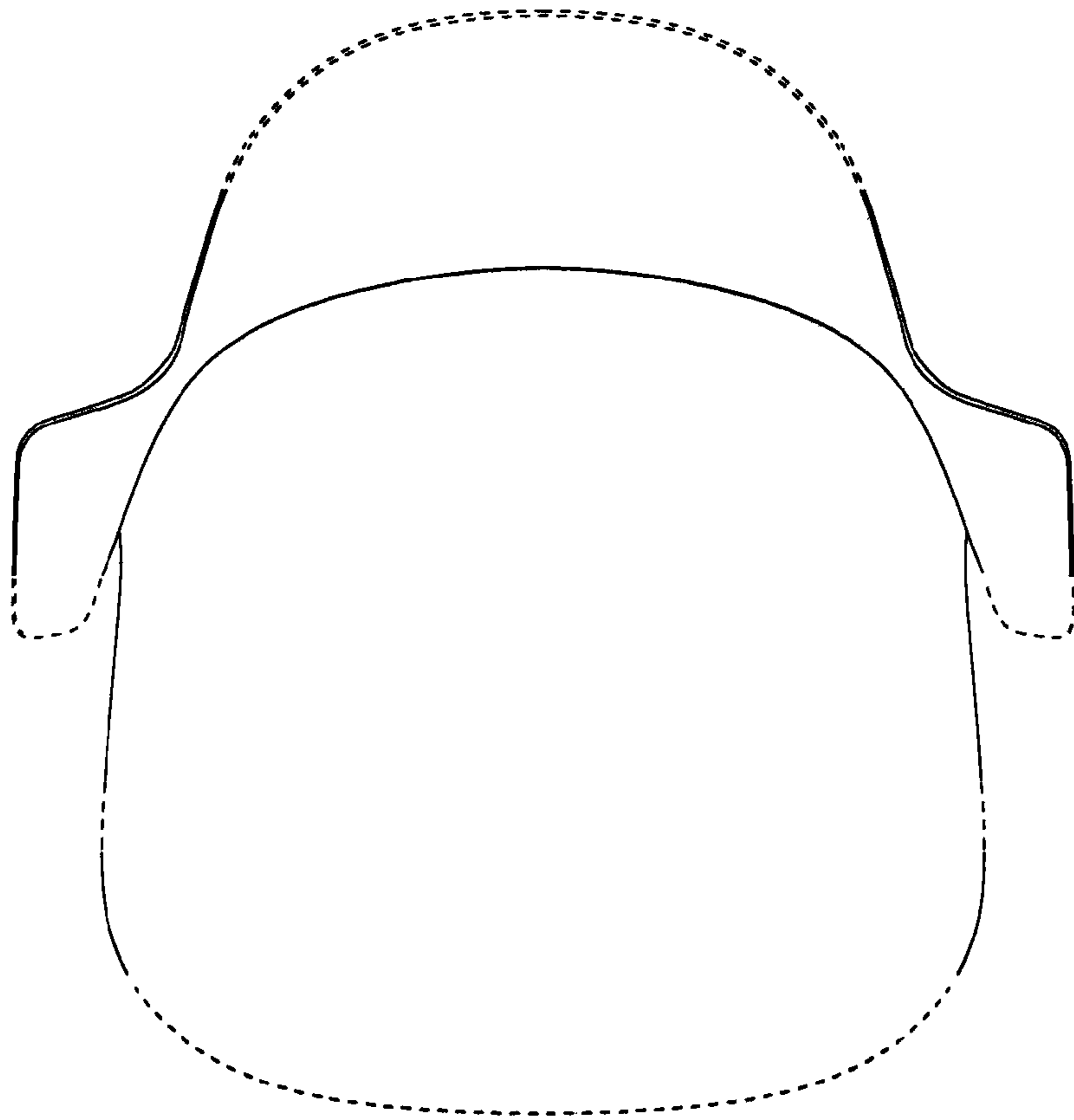


FIG. 6

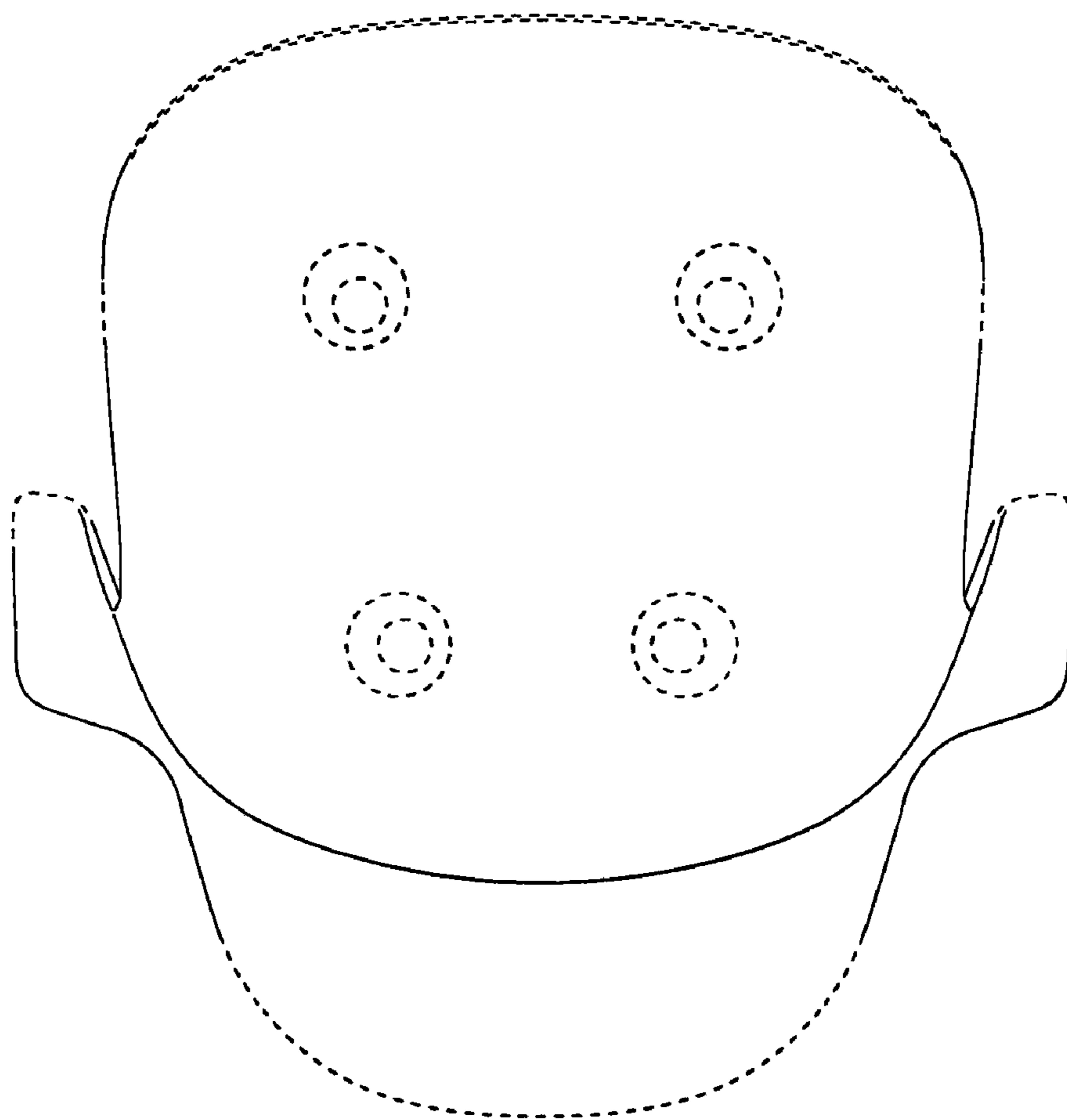


FIG. 7