



US00D679522S

(12) **United States Design Patent**
Hamill

(10) **Patent No.:** **US D679,522 S**

(45) **Date of Patent:** **** Apr. 9, 2013**

(54) **TABLE**

(75) Inventor: **Sherwood Hamill**, Portland, ME (US)

(73) Assignee: **Angela Adams Licensing, LLC**,
Portland, ME (US)

(**) Term: **14 Years**

(21) Appl. No.: **29/415,190**

(22) Filed: **Mar. 8, 2012**

(51) **LOC (9) Cl.** **06-03**

(52) **U.S. Cl.** **D6/488**

(58) **Field of Classification Search** D6/480-489,
D6/495-499; 108/153.1, 155, 156, 157.1,
108/161; 248/188, 188.1, 188.8

See application file for complete search history.

(56) **References Cited**

U.S. PATENT DOCUMENTS

D166,830 S * 5/1952 Shinn D6/495
D167,195 S 7/1952 Buell

3,074,771 A * 1/1963 Wilson 248/164
D212,623 S * 11/1968 Rubenstein D6/485
D218,943 S * 10/1970 Culliss D6/482
D312,540 S 12/1990 Rosen
D566,997 S * 4/2008 Muller D6/495
D581,706 S * 12/2008 Calatrava Valls D6/495

* cited by examiner

Primary Examiner — Janice Seeger

(74) *Attorney, Agent, or Firm* — Pierce Atwood LLP

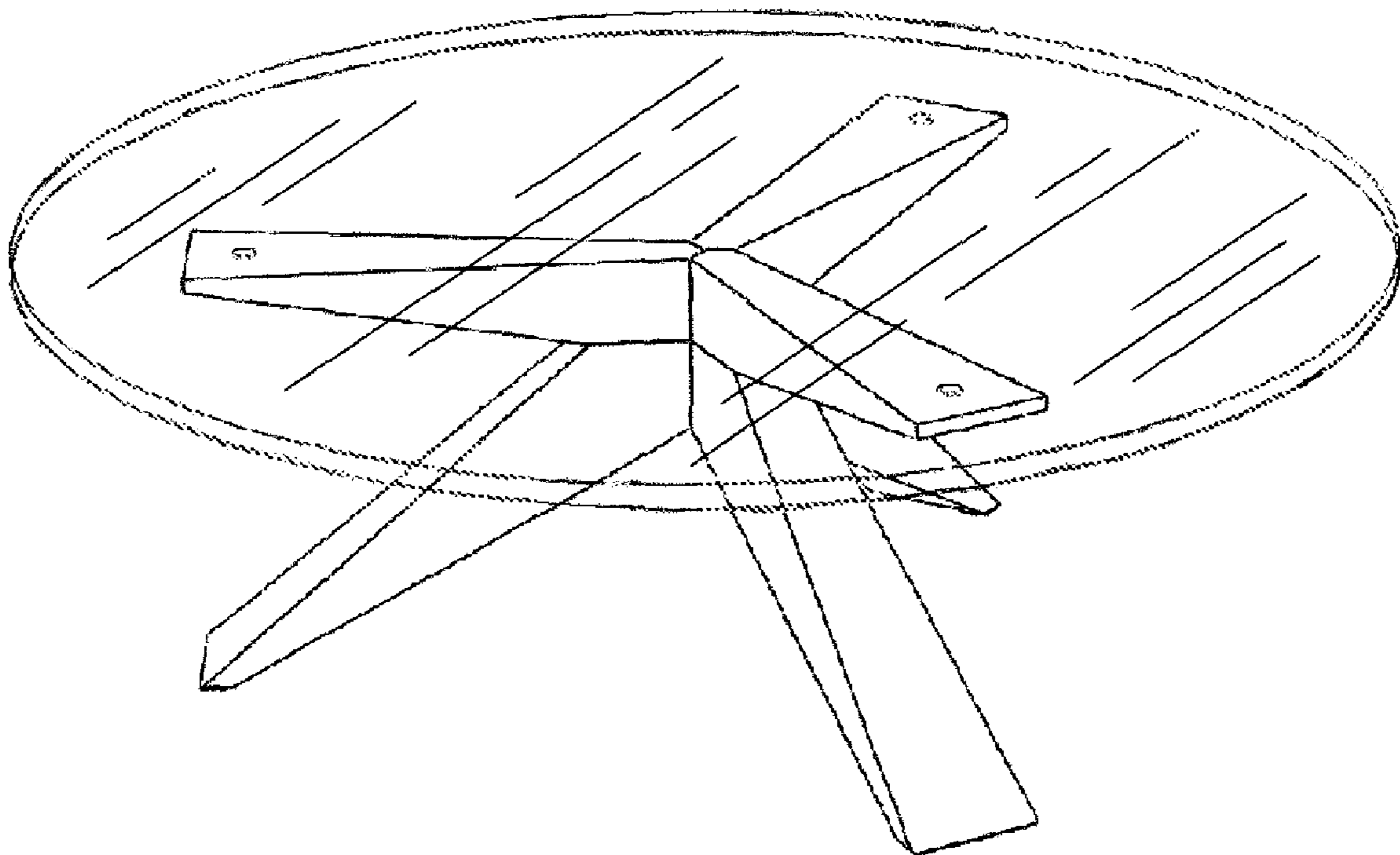
(57) **CLAIM**

The ornamental design for a table, as shown and described.

DESCRIPTION

FIG. 1 is a top perspective view of an embodiment of a table;
FIG. 2 is a side elevation view of the table of FIG. 1;
FIG. 3 is a top plan view of the table of FIG. 1; and,
FIG. 4 is a bottom plan view of the table of FIG. 1.

1 Claim, 2 Drawing Sheets



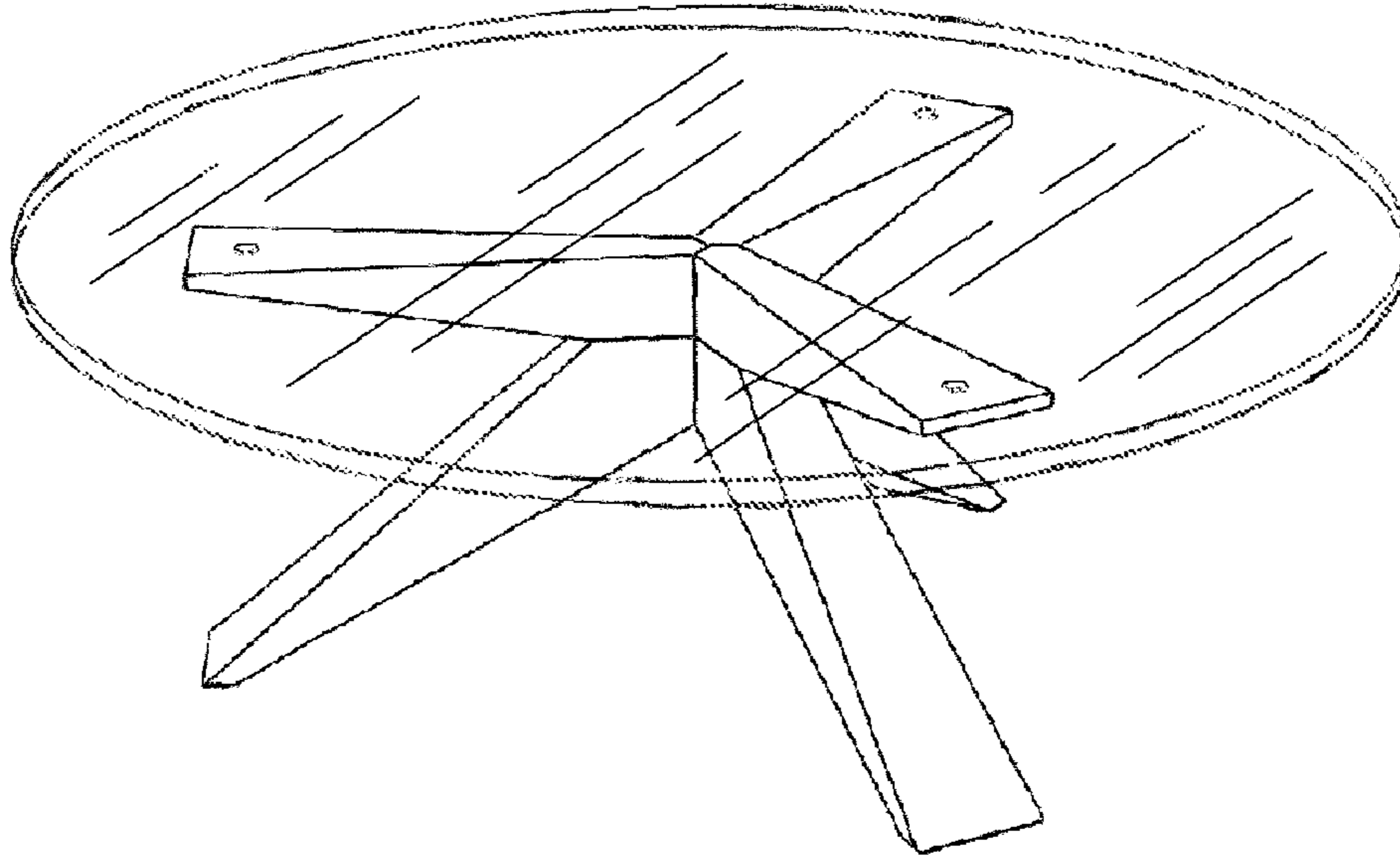


FIG. 1

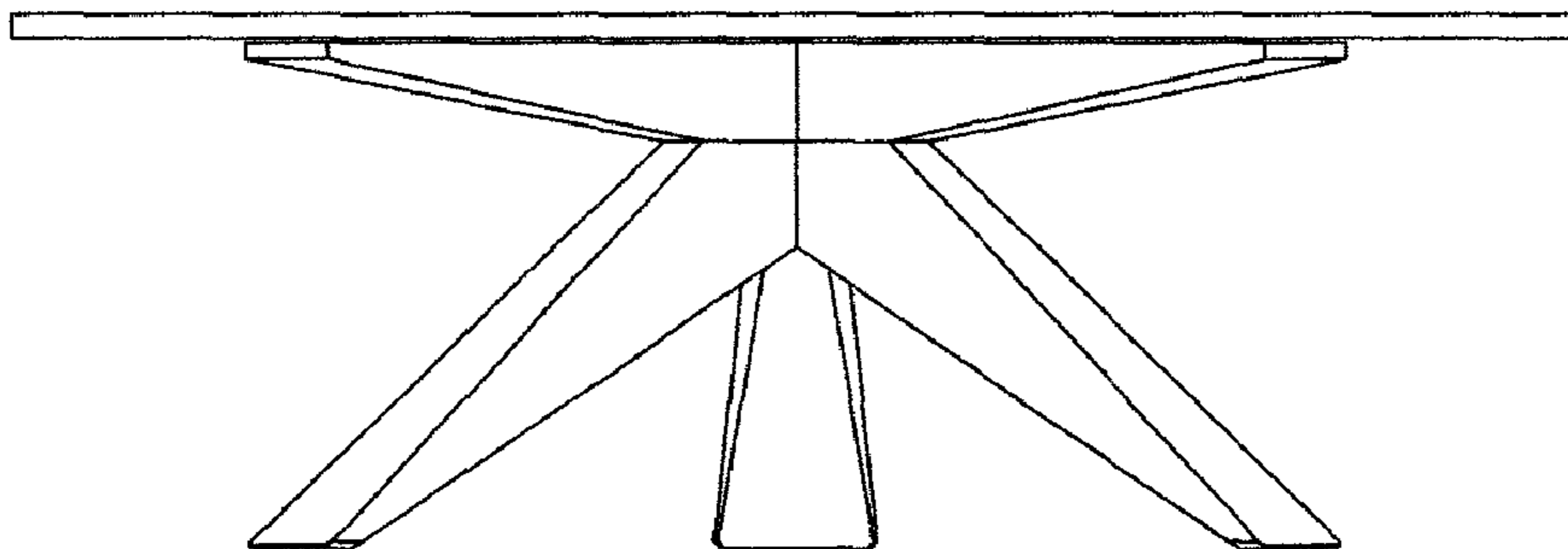


FIG. 2

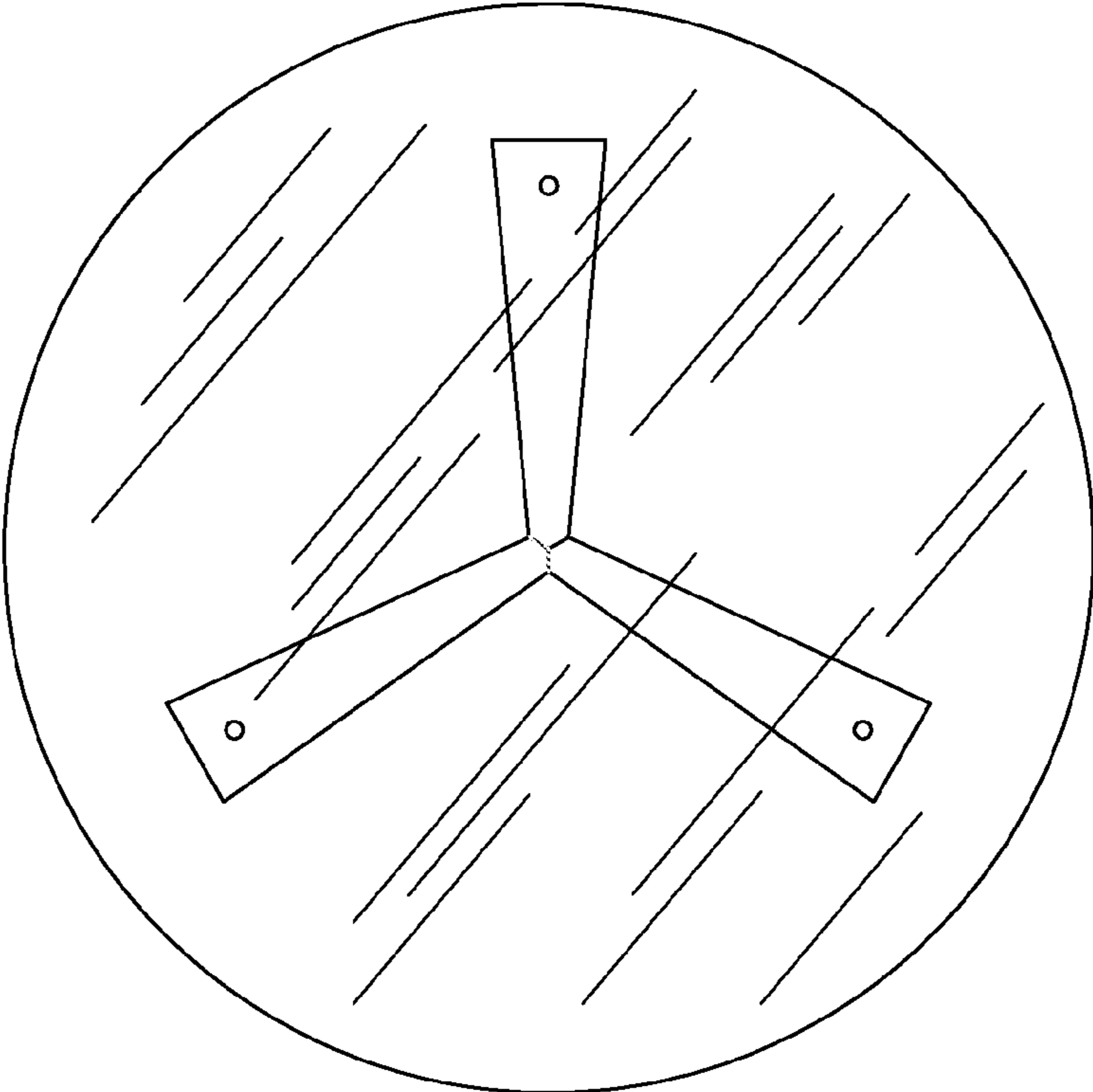


FIG. 3

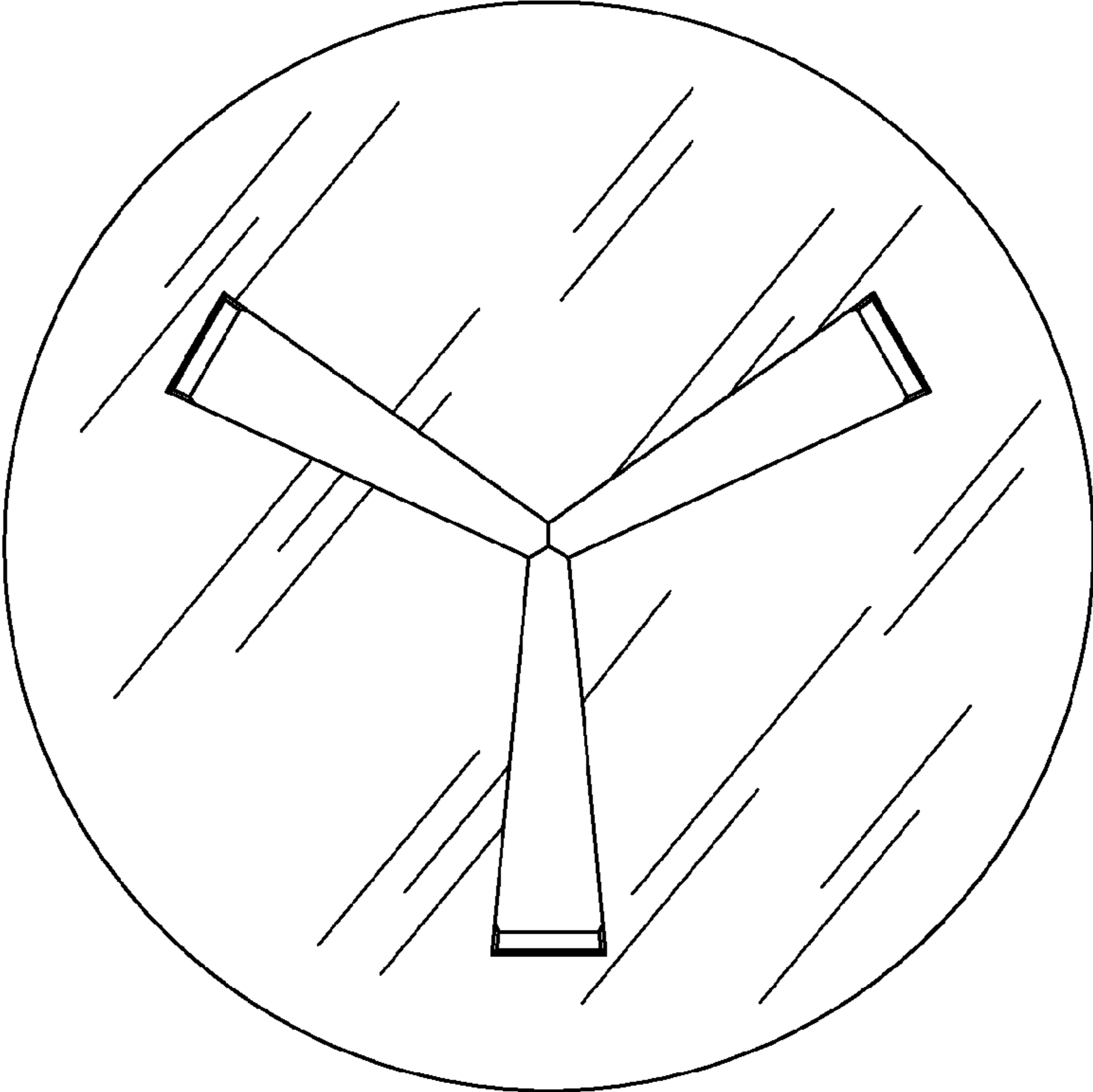


FIG. 4