

US00D679521S

(12) **United States Design Patent**
Hamm et al.

(10) **Patent No.:** **US D679,521 S**
(45) **Date of Patent:** **** Apr. 9, 2013**

(54) **DISPLAY STRUCTURE**

(75) Inventors: **Wesley Bryan Hamm**, San Francisco, CA (US); **Russell John Kaaihue Heirakuji**, Cupertino, CA (US); **Kevin Fenton Smeds**, San Francisco, CA (US); **Frank Craig Thaler**, Santa Cruz, CA (US); **Federico F. Tio**, La Canada, CA (US)

(73) Assignee: **Apple Inc.**, Cupertino, CA (US)

(**) Term: **14 Years**

(21) Appl. No.: **29/406,695**

(22) Filed: **Nov. 17, 2011**

Related U.S. Application Data

(63) Continuation of application No. 29/393,349, filed on Jun. 2, 2011, which is a continuation of application No. 29/393,288, filed on Jun. 1, 2011, application No. 29/406,695, which is a continuation of application No. 29/393,288, filed on Jun. 1, 2011.

(51) **LOC (9) Cl.** **06-06**

(52) **U.S. Cl.**
USPC **D6/449**

(58) **Field of Classification Search** D6/468,
D6/470, 473-479, 396-397, 432-436, 449-451;
211/42, 44-45, 48, 50, 90.01, 133.1; 312/7.2,
312/9.1, 107-109, 117-119, 278-279; 108/59,
108/108, 161

See application file for complete search history.

(56) **References Cited**

U.S. PATENT DOCUMENTS

4,116,509 A * 9/1978 Smith 312/107
D290,204 S 6/1987 Bruget
D321,100 S * 10/1991 Dorrell D6/468

D354,638 S * 1/1995 Todd et al. D6/433
D365,947 S * 1/1996 Howard D6/470
D398,462 S * 9/1998 Baluk et al. D6/476
6,170,678 B1 * 1/2001 de la Fuente 211/59.2
D439,445 S * 3/2001 Riga et al. D6/474
D521,275 S * 5/2006 Dusenberry D6/470
D538,068 S * 3/2007 Newhouse et al. D6/484
D538,556 S * 3/2007 Arias D6/479
D576,426 S 9/2008 Yuen-Schat et al.
D590,630 S * 4/2009 Singler et al. D6/432
D592,422 S * 5/2009 Rheault D6/436
D593,775 S 6/2009 Singler et al.

(Continued)

OTHER PUBLICATIONS

Co-pending Application, U.S. Appl. No. 29/393,288, inventors Hamm et al., filed Jun. 1, 2011. (Not Published).

(Continued)

Primary Examiner — Kelley Donnelly

(74) *Attorney, Agent, or Firm* — Sterne, Kessler, Goldstein & Fox PLLC

(57) **CLAIM**

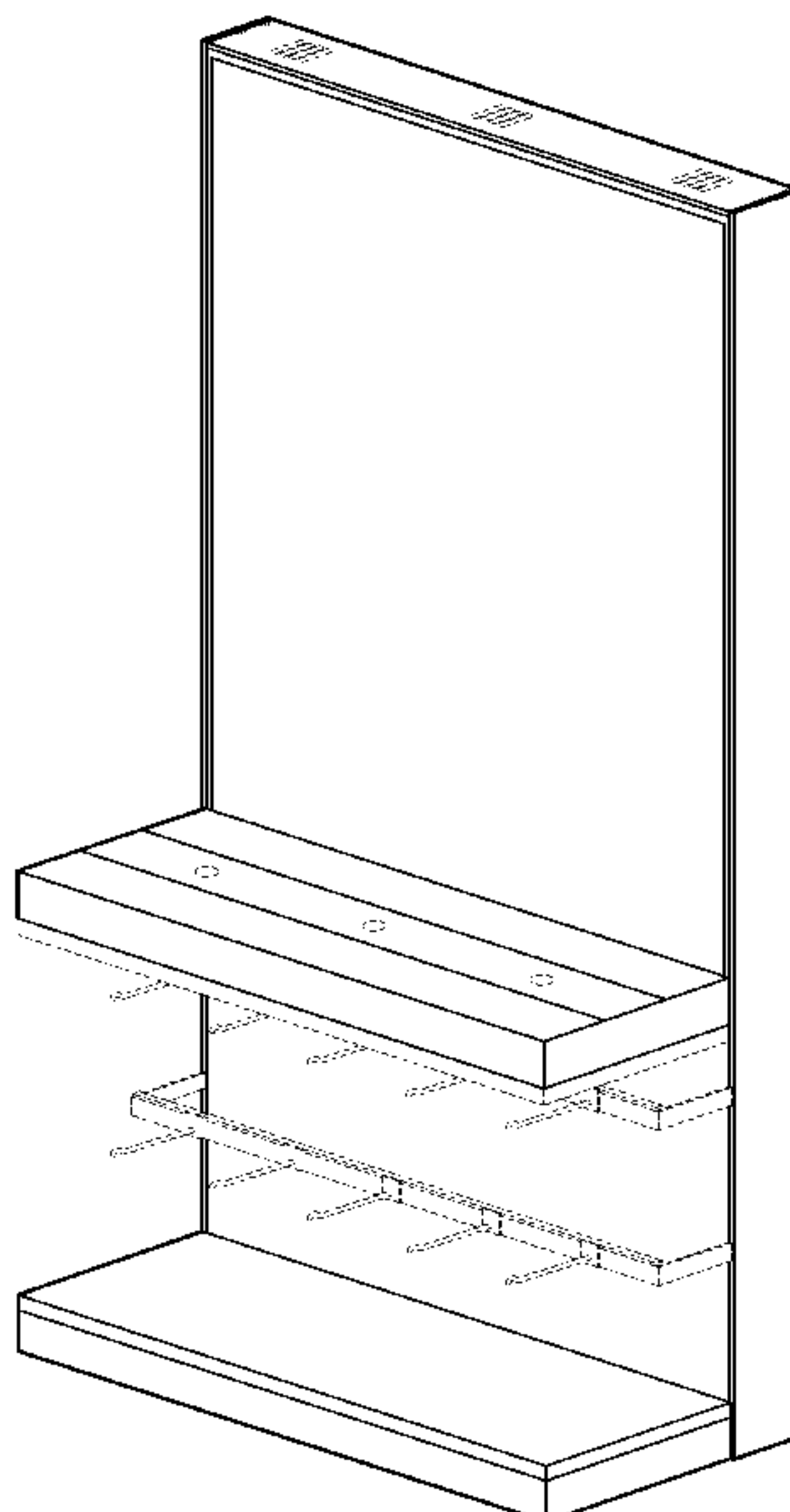
The ornamental design for a display structure, as shown and described.

DESCRIPTION

FIG. 1 is a front perspective view of a display structure;
FIG. 2 is a front view thereof;
FIG. 3 is a right side view thereof;
FIG. 4 is a left side view thereof;
FIG. 5 is a top view thereof;
FIG. 6 is a bottom view thereof; and,
FIG. 7 is a rear view thereof.

The broken lines showing in FIGS. 1, 2, 3, 4, 5 and 7 are for the purpose of illustrating portions of the display structure that form no part of the claimed design.

1 Claim, 7 Drawing Sheets



US D679,521 S

Page 2

U.S. PATENT DOCUMENTS

D607,669 S 1/2010 Trinh et al.
D607,670 S * 1/2010 Trinh et al. D6/478
D610,832 S * 3/2010 Rheault D6/436
D632,903 S * 2/2011 Paul D6/474
D637,421 S * 5/2011 Theisen et al. D6/478
D637,422 S 5/2011 Theisen et al.
D641,992 S 7/2011 Giroux et al.
D642,824 S * 8/2011 Theisen et al. D6/449
D644,039 S * 8/2011 Naples et al. D6/449
D646,503 S 10/2011 Fiori

D648,783 S 11/2011 Mathea
D649,192 S * 11/2011 Beukema et al. D19/75
2005/0279033 A1 * 12/2005 Faber et al. 52/36.4
2007/0170823 A1 * 7/2007 Stannis et al. 312/7.2

OTHER PUBLICATIONS

Co-pending Application, U.S. Appl. No. 29/393,349, inventors Hamm et al., filed Jun. 2, 2011. (Not Published).

* cited by examiner

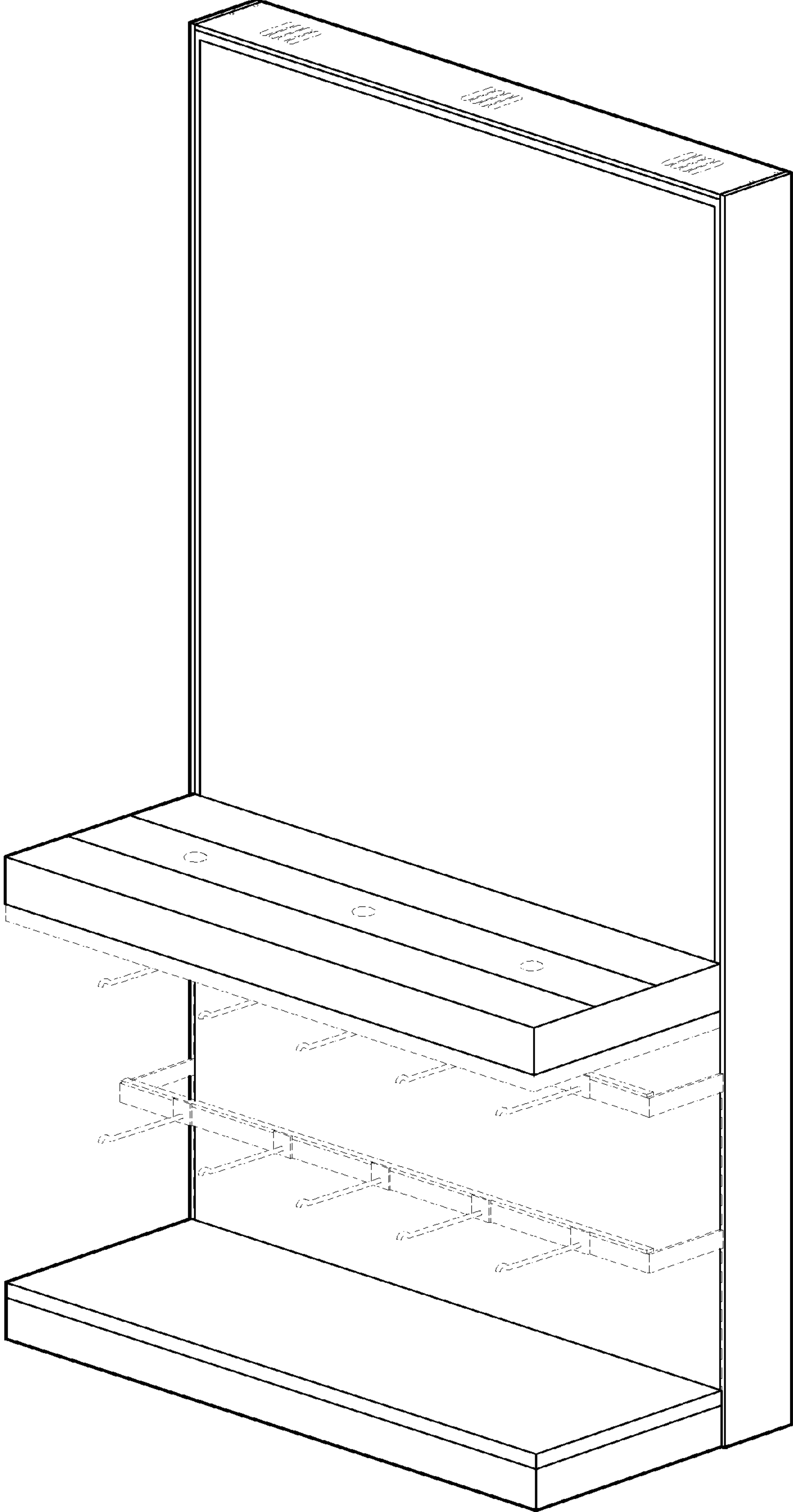


FIG. 1

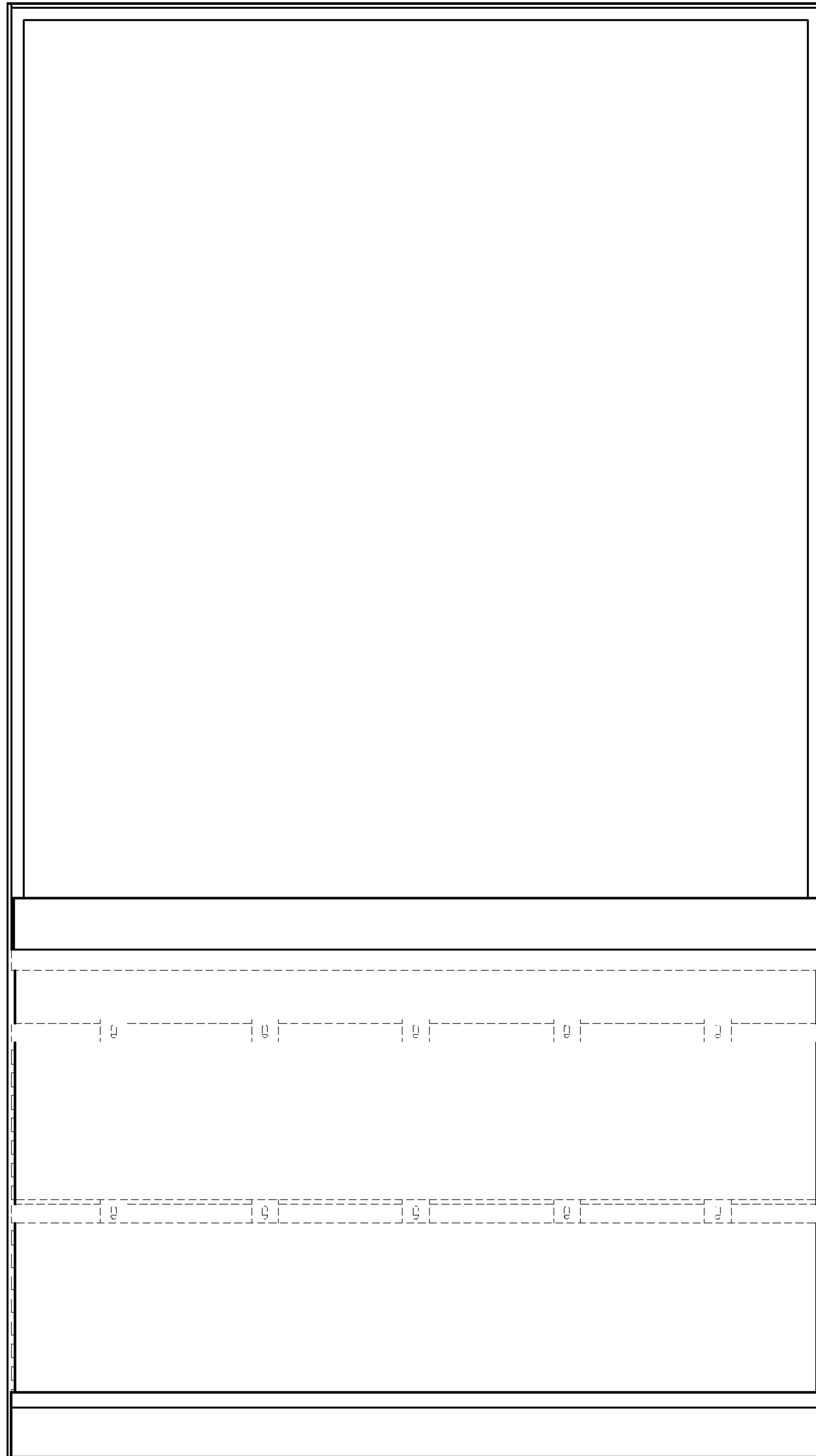


FIG. 2

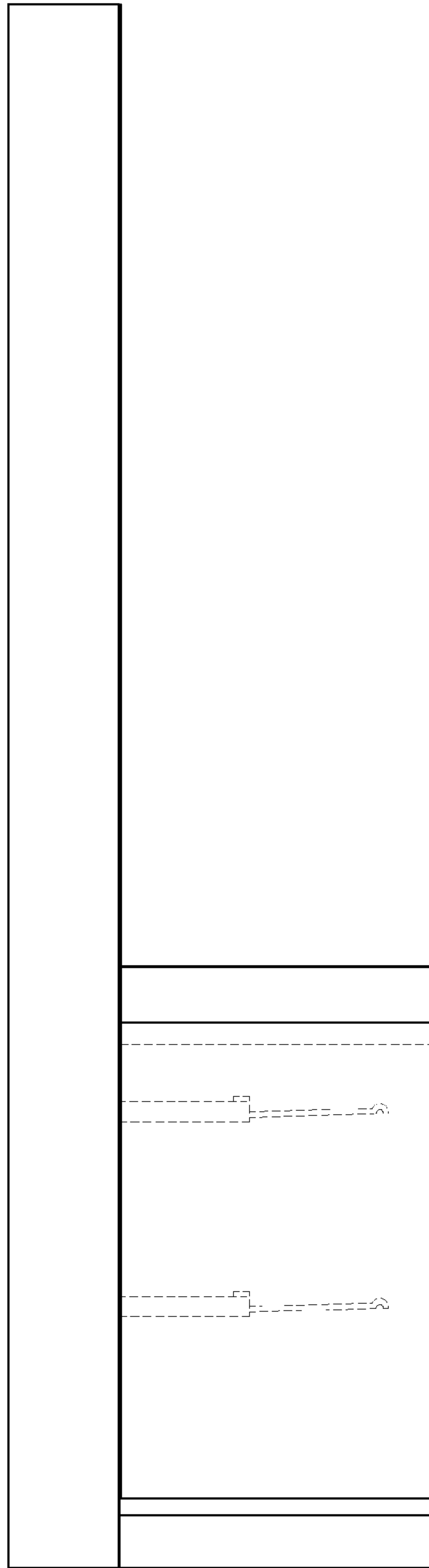


FIG. 3

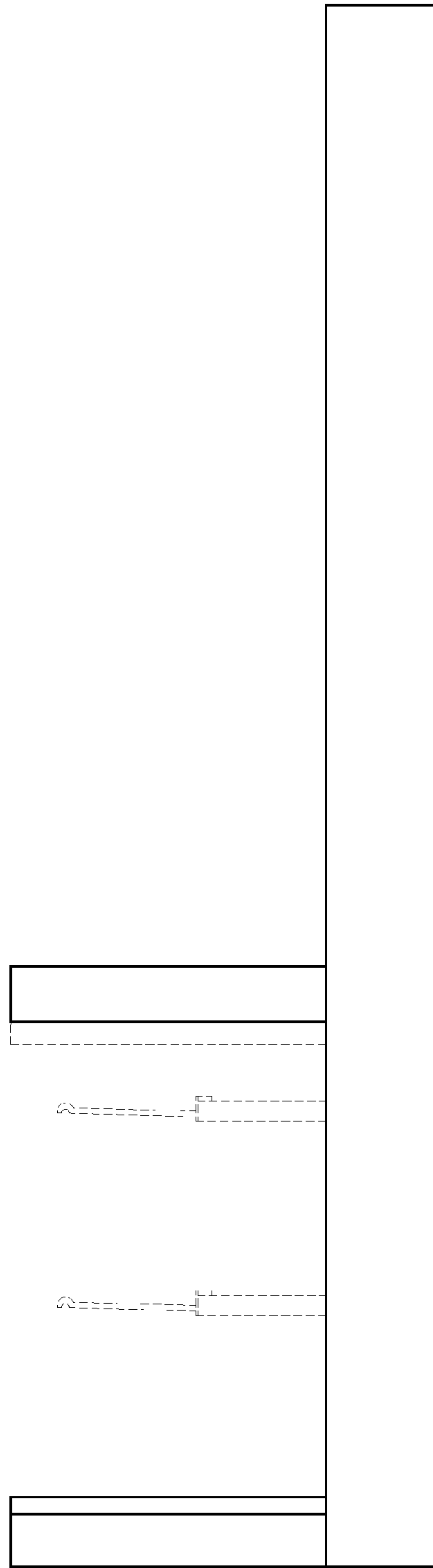


FIG. 4

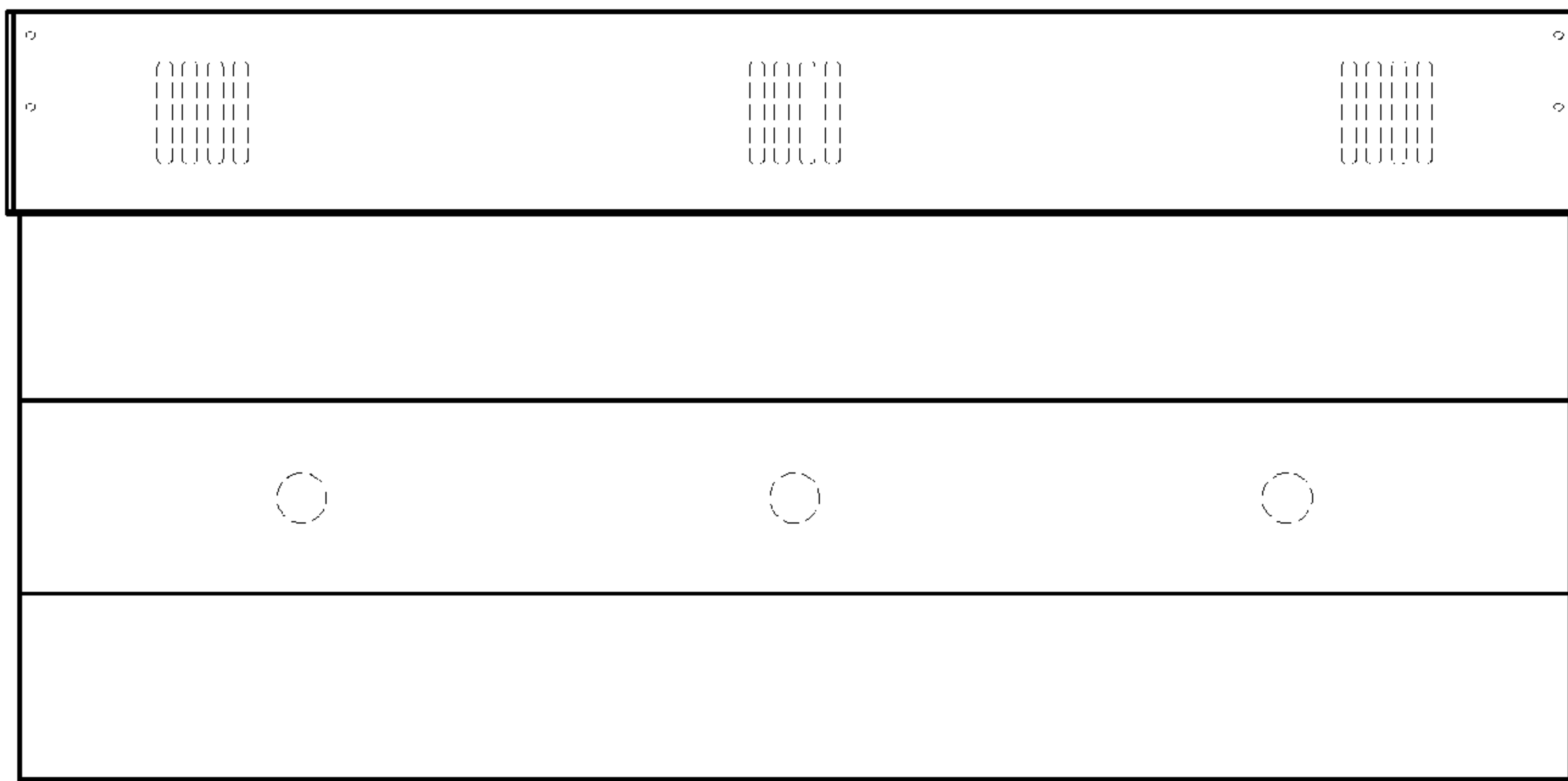


FIG. 5

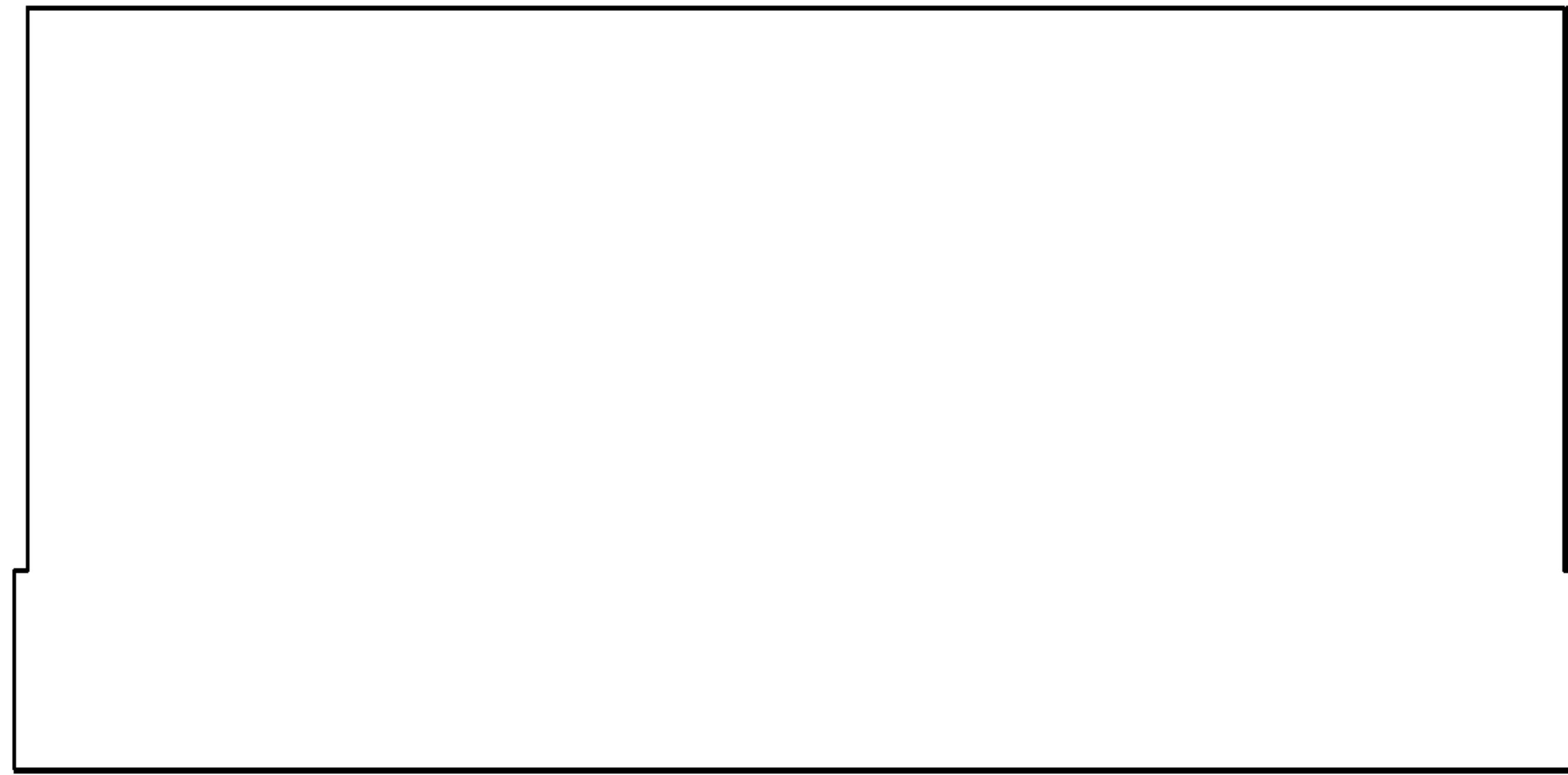


FIG. 6



FIG. 7