



US00D679520S

(12) **United States Design Patent**  
**Wong**

(10) **Patent No.:** **US D679,520 S**

(45) **Date of Patent:** **\*\* Apr. 9, 2013**

(54) **SUPPORT AND TRANSPORT TRAY**

(76) Inventor: **Ryan Y. Wong**, Brookline, MA (US)

(\*\*) Term: **14 Years**

(21) Appl. No.: **29/384,254**

(22) Filed: **Jan. 28, 2011**

(51) **LOC (9) Cl.** ..... **06-06**

(52) **U.S. Cl.**  
USPC ..... **D6/406.5**

(58) **Field of Classification Search** ..... D6/339,  
D6/406.1–406.6, 419, 429–430; D12/416,  
D12/419, 426.1; D14/447, 457; 108/25,  
108/42–43, 150; 220/575, 679, 632, 670,  
220/339, 574; 211/11, 126, 173; D7/550.1,  
D7/552.1–552.2

See application file for complete search history.

(56) **References Cited**

U.S. PATENT DOCUMENTS

D152,153 S *	12/1948	Harvey	.....	D6/349
4,123,852 A *	11/1978	Zimowski	.....	434/426
D282,218 S *	1/1986	Catelli	.....	D21/522
D287,741 S *	1/1987	Taylor	.....	D21/522
D289,247 S *	4/1987	Wang	.....	D7/555
D319,358 S *	8/1991	Giugiaro	.....	D6/406.6
D355,787 S *	2/1995	Rae	.....	D6/406.6
D359,862 S *	7/1995	Rousch	.....	D6/406.6
D371,921 S *	7/1996	Anzalone et al.	.....	D6/484
D390,718 S *	2/1998	Howland et al.	.....	D6/406.6

D404,219 S *	1/1999	Patterson	.....	D6/406.6
D413,741 S *	9/1999	Haynes	.....	D6/406.4
6,044,758 A *	4/2000	Drake	.....	100/43
D437,506 S *	2/2001	Lechman	.....	D6/422
D443,434 S *	6/2001	Tinsley	.....	D6/406.4
D492,133 S *	6/2004	Richter	.....	D6/419
D514,057 S *	1/2006	Borunda et al.	.....	D12/426.1
D539,569 S *	4/2007	Lewis	.....	D6/484
D588,373 S *	3/2009	Rushton	.....	D6/406.6
D589,721 S *	4/2009	Chang	.....	D6/425
D591,074 S *	4/2009	Powers et al.	.....	D6/406.6
D624,922 S *	10/2010	Hui et al.	.....	D14/447
D668,472 S *	10/2012	Wong	.....	D6/406.5

\* cited by examiner

*Primary Examiner* — Kelley Donnelly

(74) *Attorney, Agent, or Firm* — Bay State IP, LLC

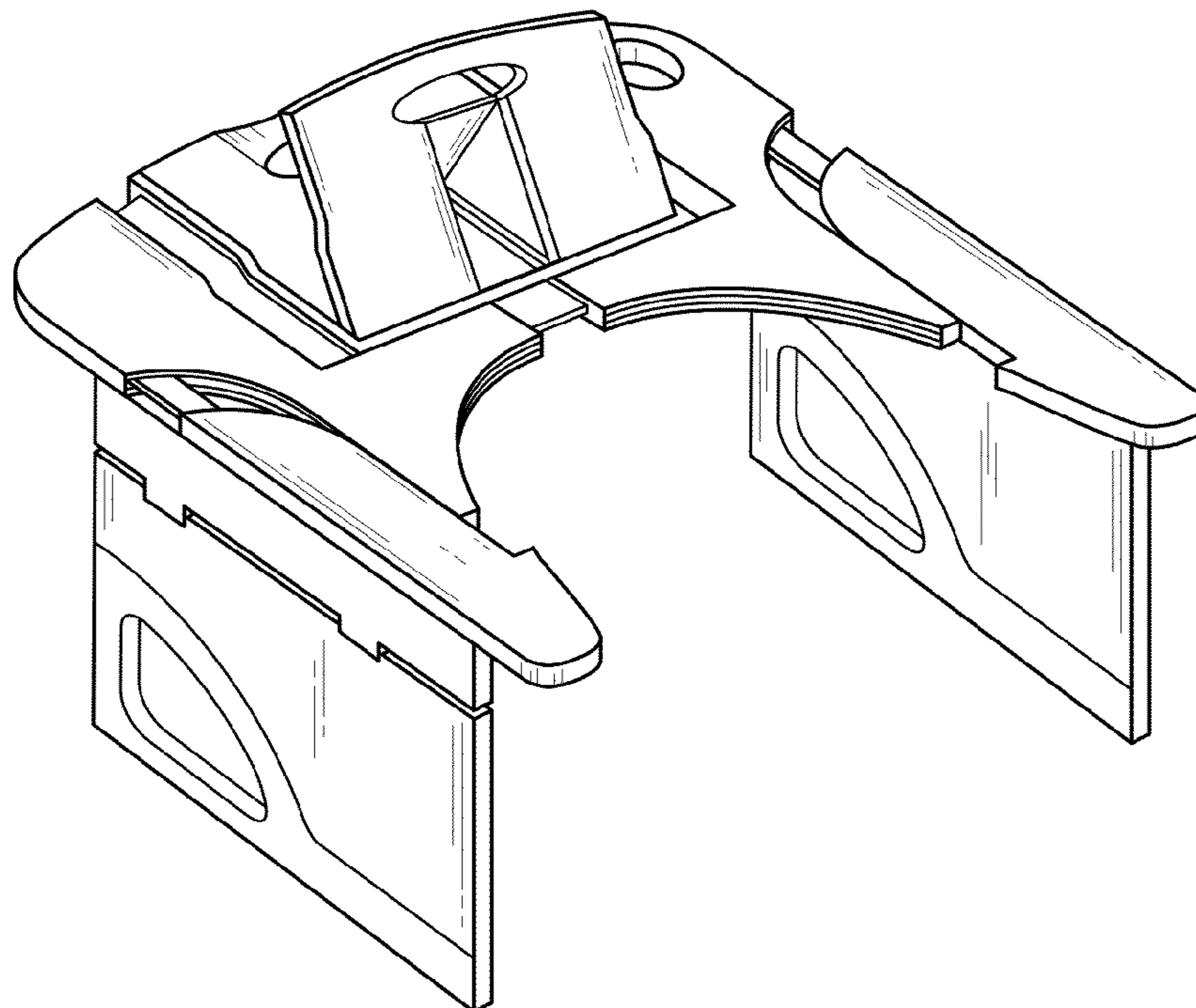
(57) **CLAIM**

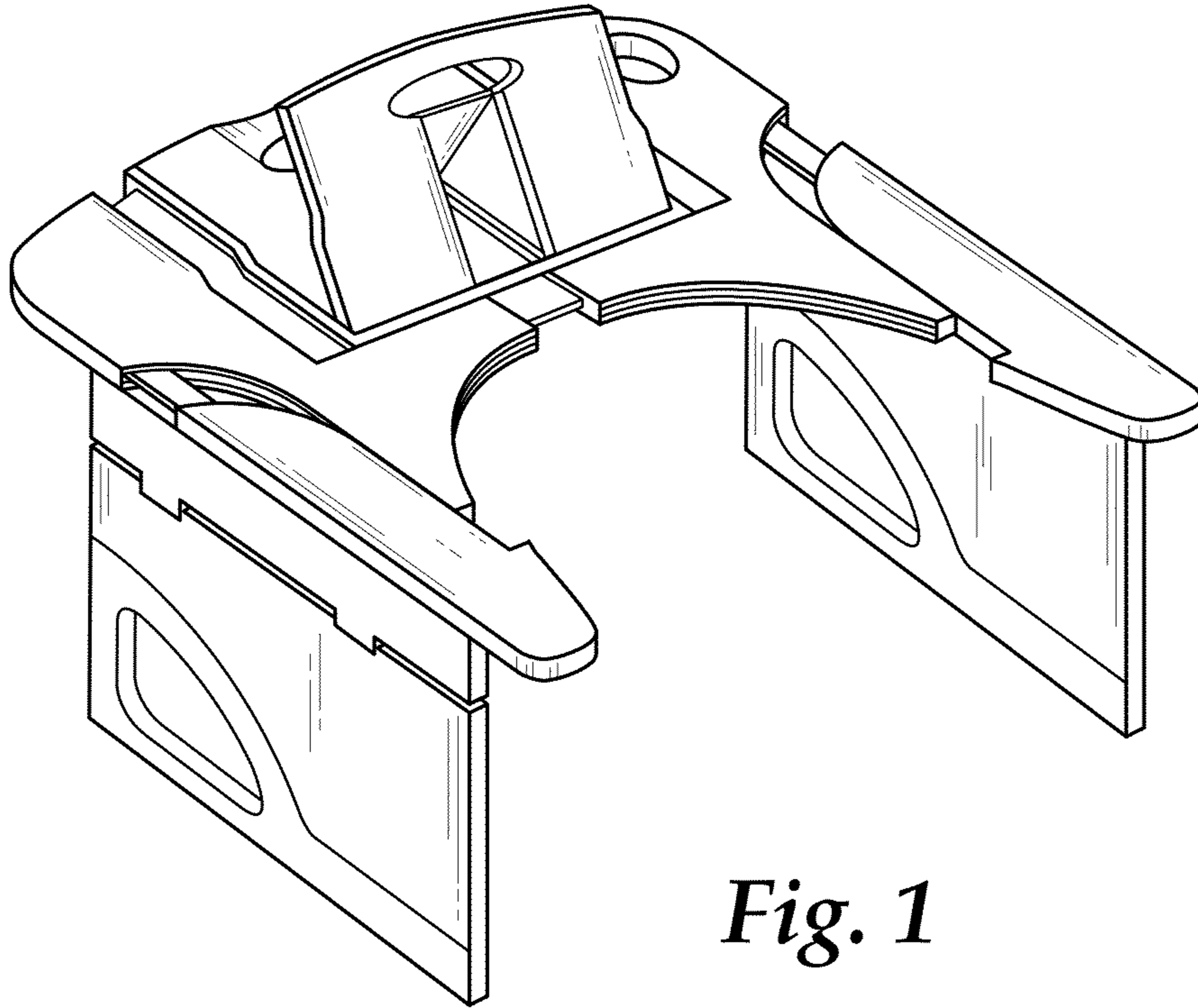
The ornamental design for a support and transport tray, as shown and described.

**DESCRIPTION**

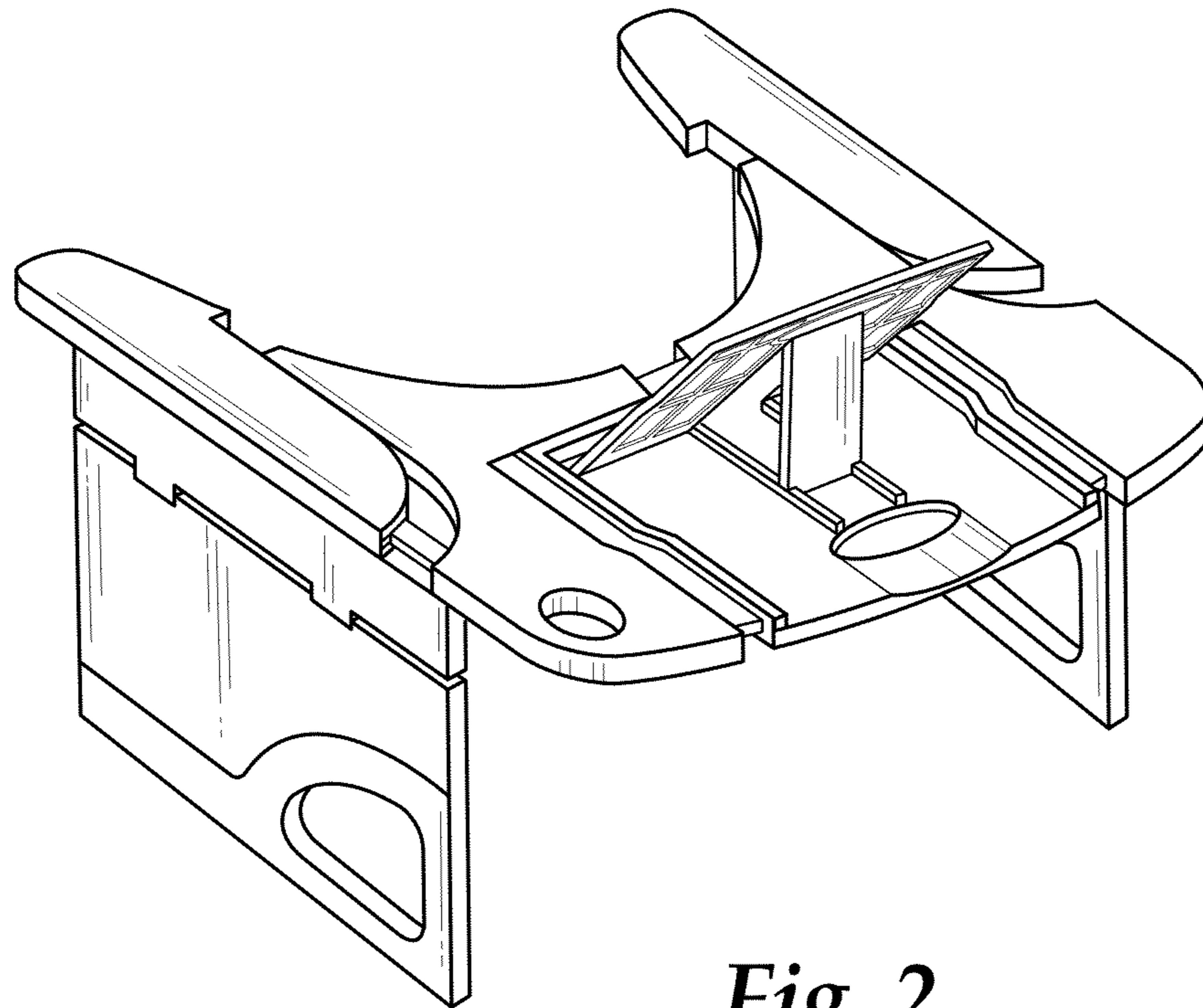
FIG. 1 is a rear perspective view of the support and transport tray, showing my new design;  
FIG. 2 is a rear perspective view thereof;  
FIG. 3 is a rear view thereof;  
FIG. 4 is a front view thereof;  
FIG. 5 is a ride side view thereof;  
FIG. 6 is a left side view thereof;  
FIG. 7 is a top plan view thereof; and,  
FIG. 8 is a bottom plan view thereof.

**1 Claim, 3 Drawing Sheets**

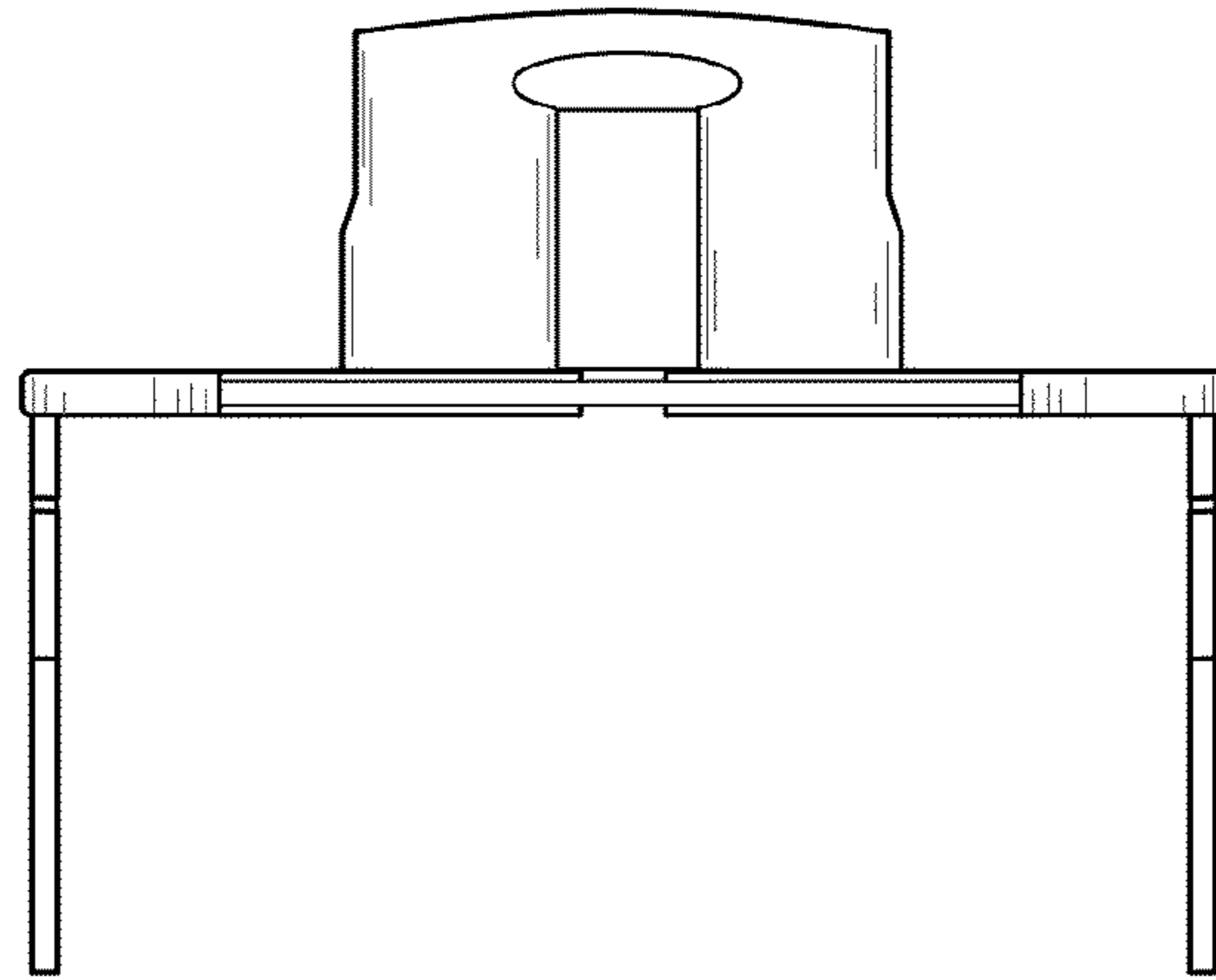




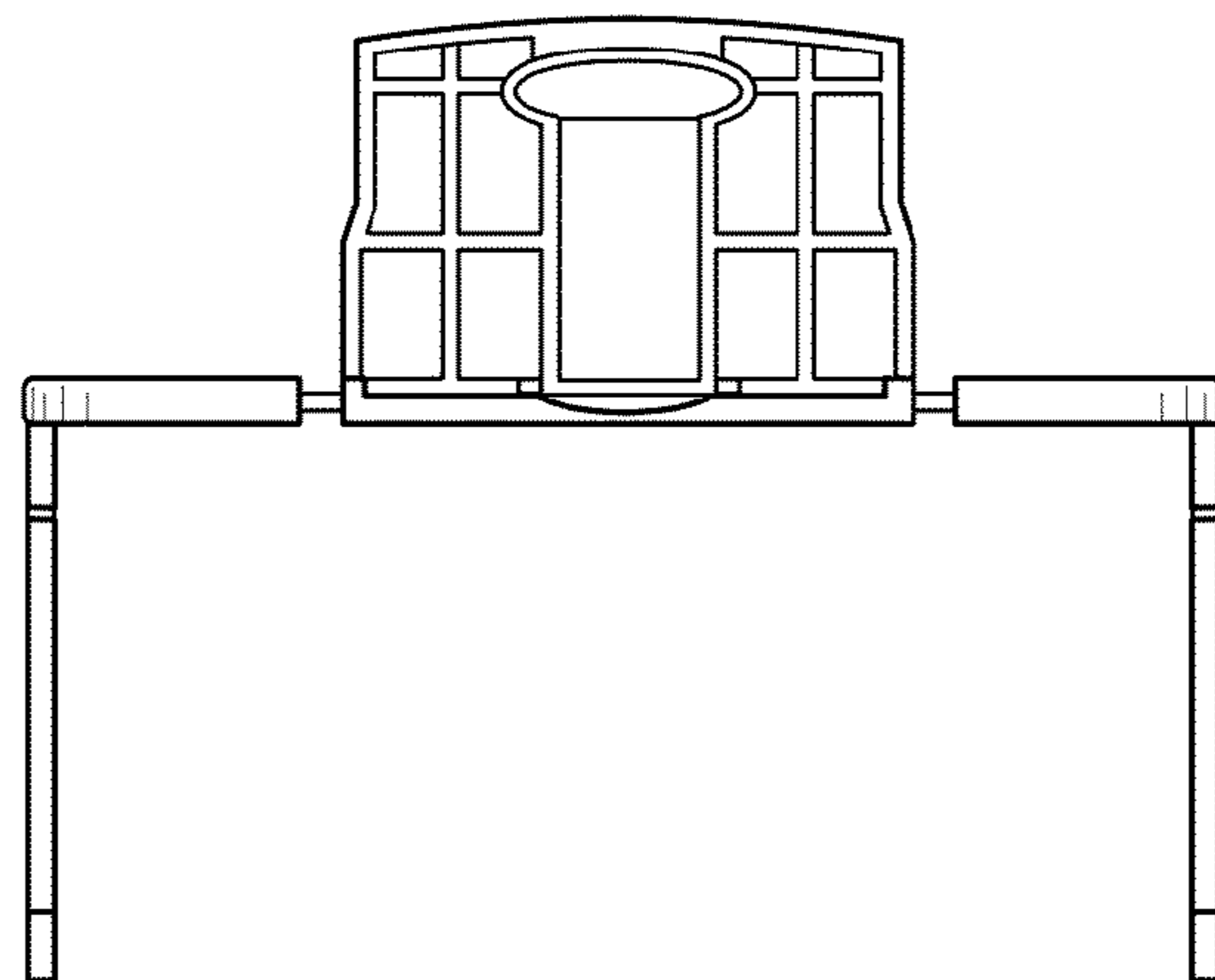
*Fig. 1*



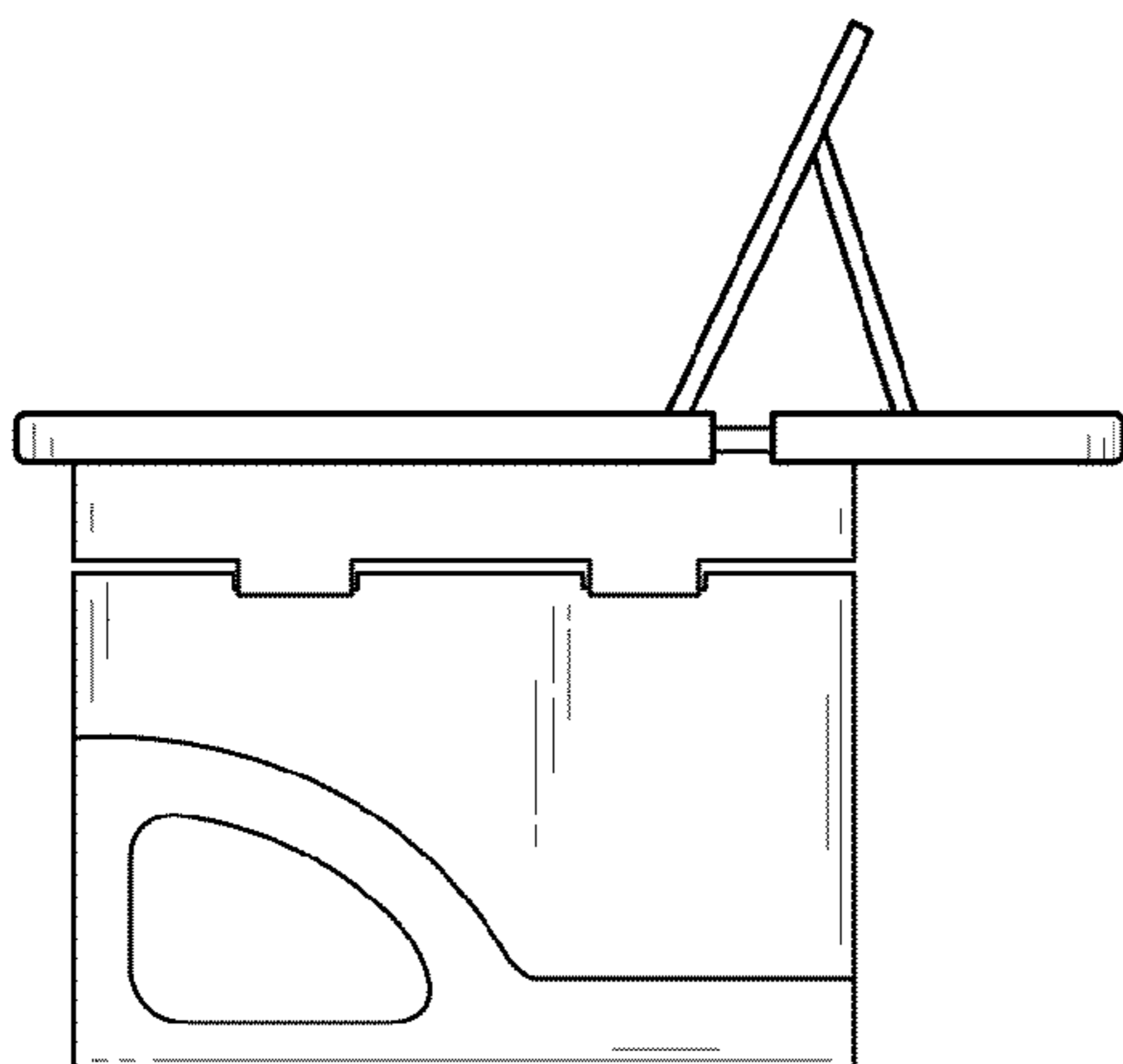
*Fig. 2*



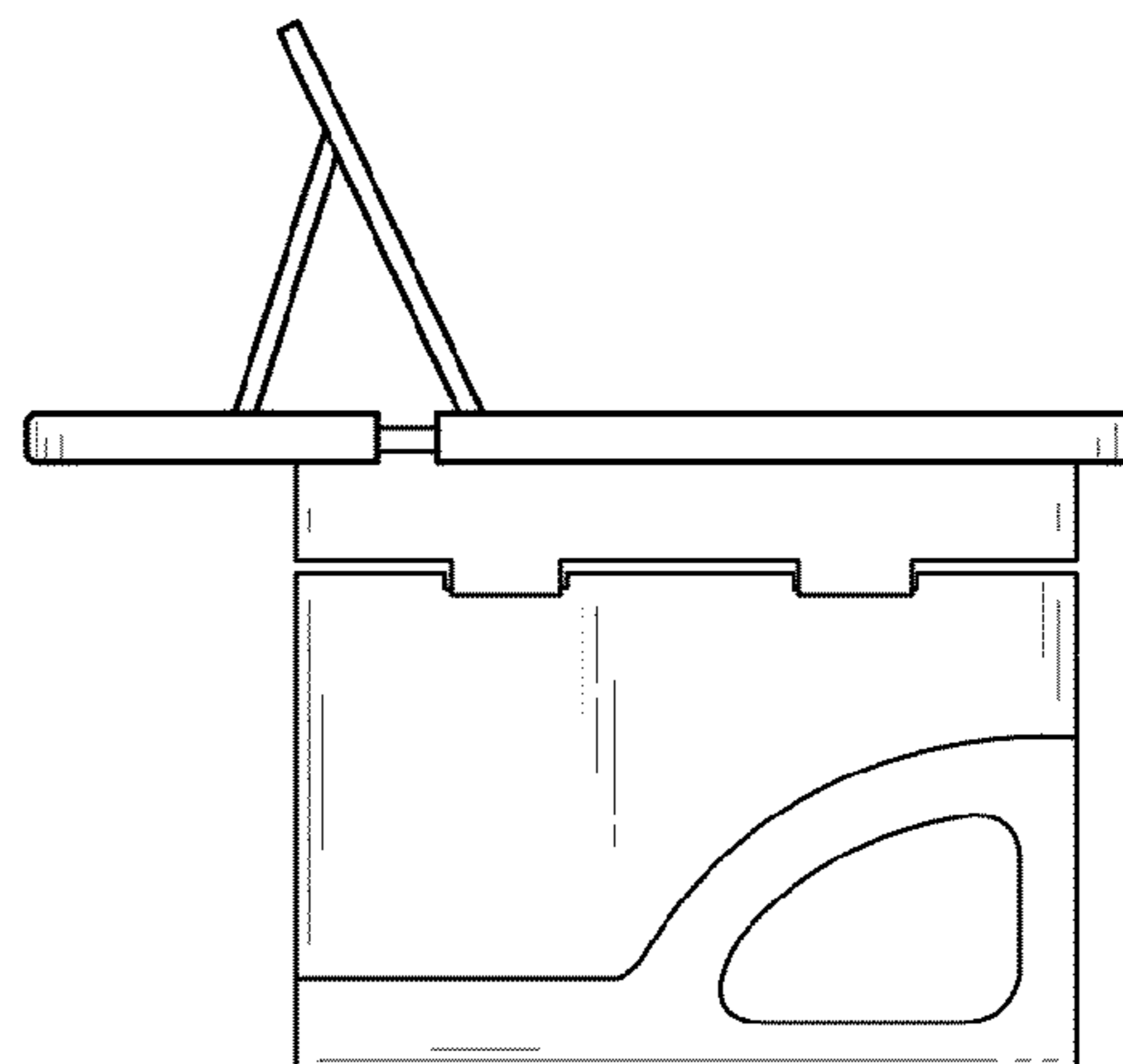
*Fig. 3*



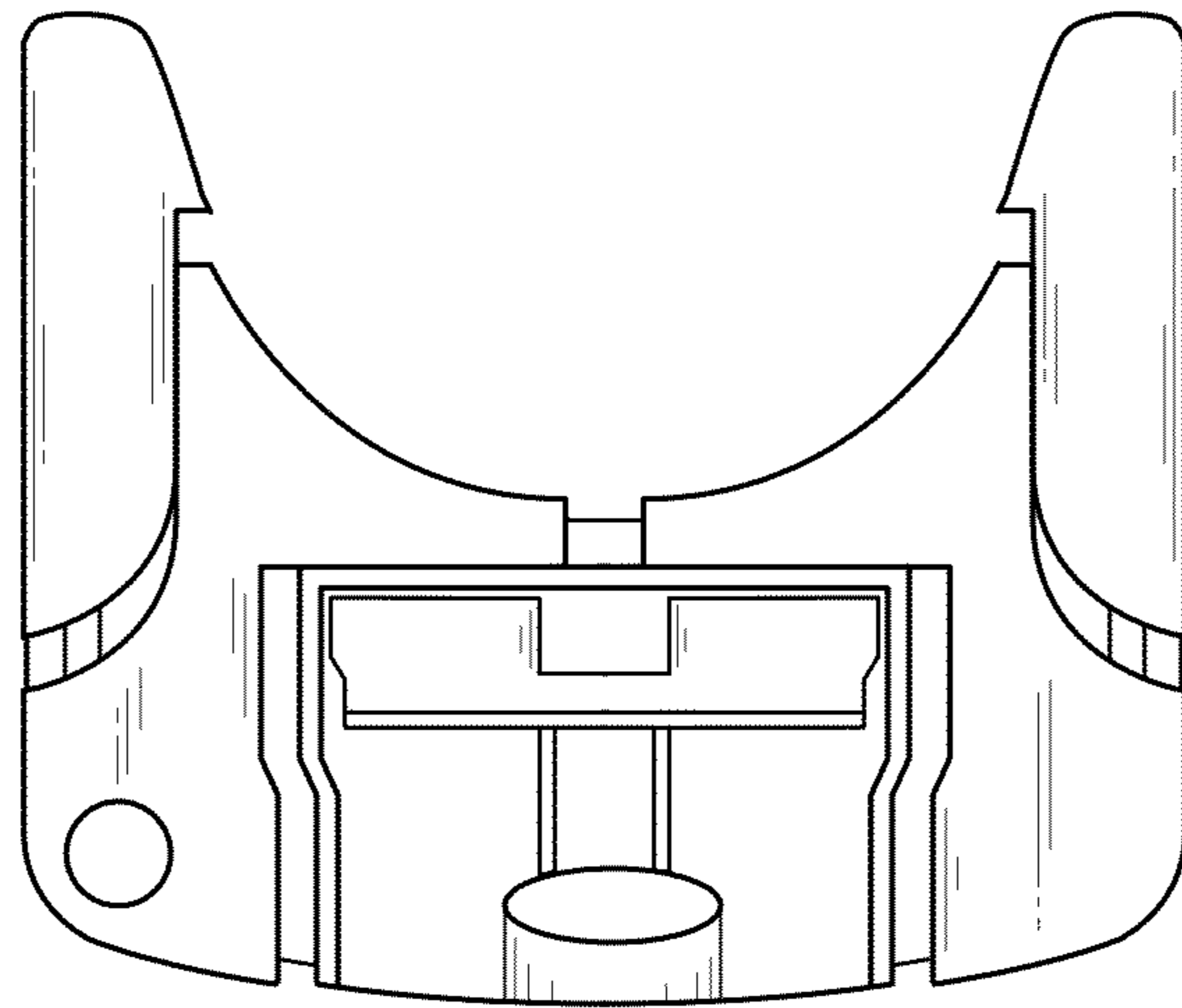
*Fig. 4*



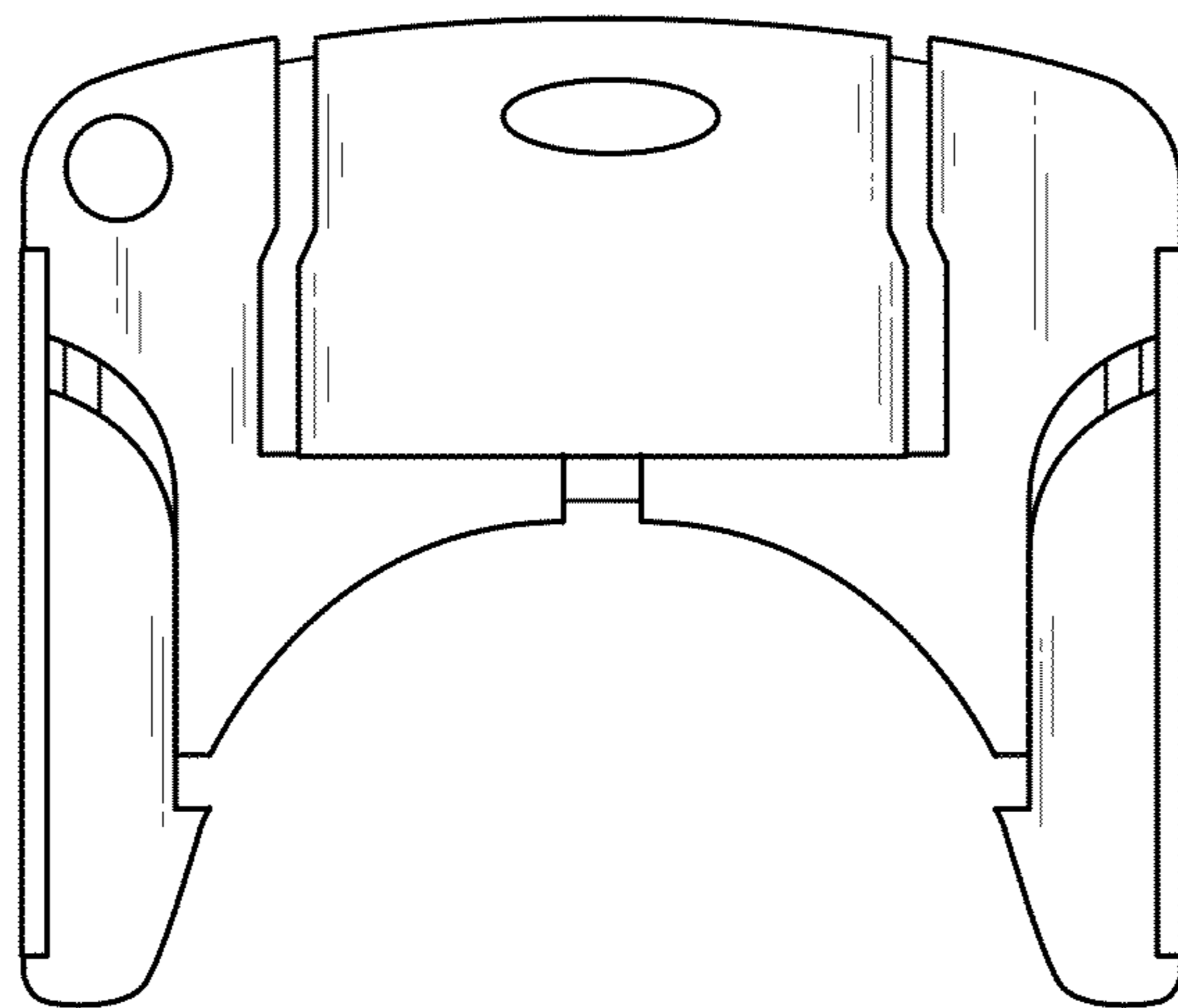
*Fig. 5*



*Fig. 6*



*Fig. 7*



*Fig. 8*