

US00D679518S

(12) **United States Design Patent**  
**Lievore et al.**

(10) **Patent No.:** **US D679,518 S**  
(45) **Date of Patent:** **\*\* \*Apr. 9, 2013**

(54) **SOFA**

(75) Inventors: **Alberto Lievore**, Barcelona (ES);  
**Jannette Altherr**, Barcelona (ES);  
**Manuel Molina**, Barcelona (ES)

(73) Assignee: **Arper S.p.A.**, Monastier di Treviso,  
Treviso (IT)

(\*) Notice: This patent is subject to a terminal disclaimer.

(\*\*) Term: **14 Years**

(21) Appl. No.: **29/390,062**

(22) Filed: **Apr. 19, 2011**

(30) **Foreign Application Priority Data**

Oct. 20, 2010 (WO) ..... 569740101

(51) **LOC (9) Cl.** ..... **06-01**

(52) **U.S. Cl.**  
USPC ..... **D6/381**

(58) **Field of Classification Search** ..... D6/334,  
D6/335, 337, 349, 353, 380, 381, 500-502,  
D6/374; 297/14, 43, 44, 118, 140, 245, 300.1,  
297/311, 353, 354.1, 445.1, 446.1, 446.2,  
297/447.4, 465, 900, DIG. 2, DIG. 7; 5/12.1,  
5/12.2

See application file for complete search history.

(56) **References Cited**

U.S. PATENT DOCUMENTS

D284,814	S	*	7/1986	Culler	.....	D6/375
D379,269	S	*	5/1997	Hutton	.....	D6/334
D380,095	S	*	6/1997	Diaz-Azcuy	.....	D6/334
D382,123	S	*	8/1997	Pimental et al.	.....	D6/334
D422,422	S	*	4/2000	Black	.....	D6/369
D431,117	S	*	9/2000	Hutton	.....	D6/334
D448,946	S	*	10/2001	Goetz	.....	D6/381
D465,341	S	*	11/2002	Hutton	.....	D6/334
D465,662	S	*	11/2002	Hutton	.....	D6/334
D473,723	S	*	4/2003	Pesso	.....	D6/334
D536,541	S	*	2/2007	Kreiss	.....	D6/334
D550,465	S	*	9/2007	Bouroullec et al.	.....	D6/334
D644,846	S	*	9/2011	Ciani et al.	.....	D6/334
D651,419	S	*	1/2012	Lievore	.....	D6/334

\* cited by examiner

*Primary Examiner* — Sandra Snapp

(74) *Attorney, Agent, or Firm* — Shoemaker & Mattare

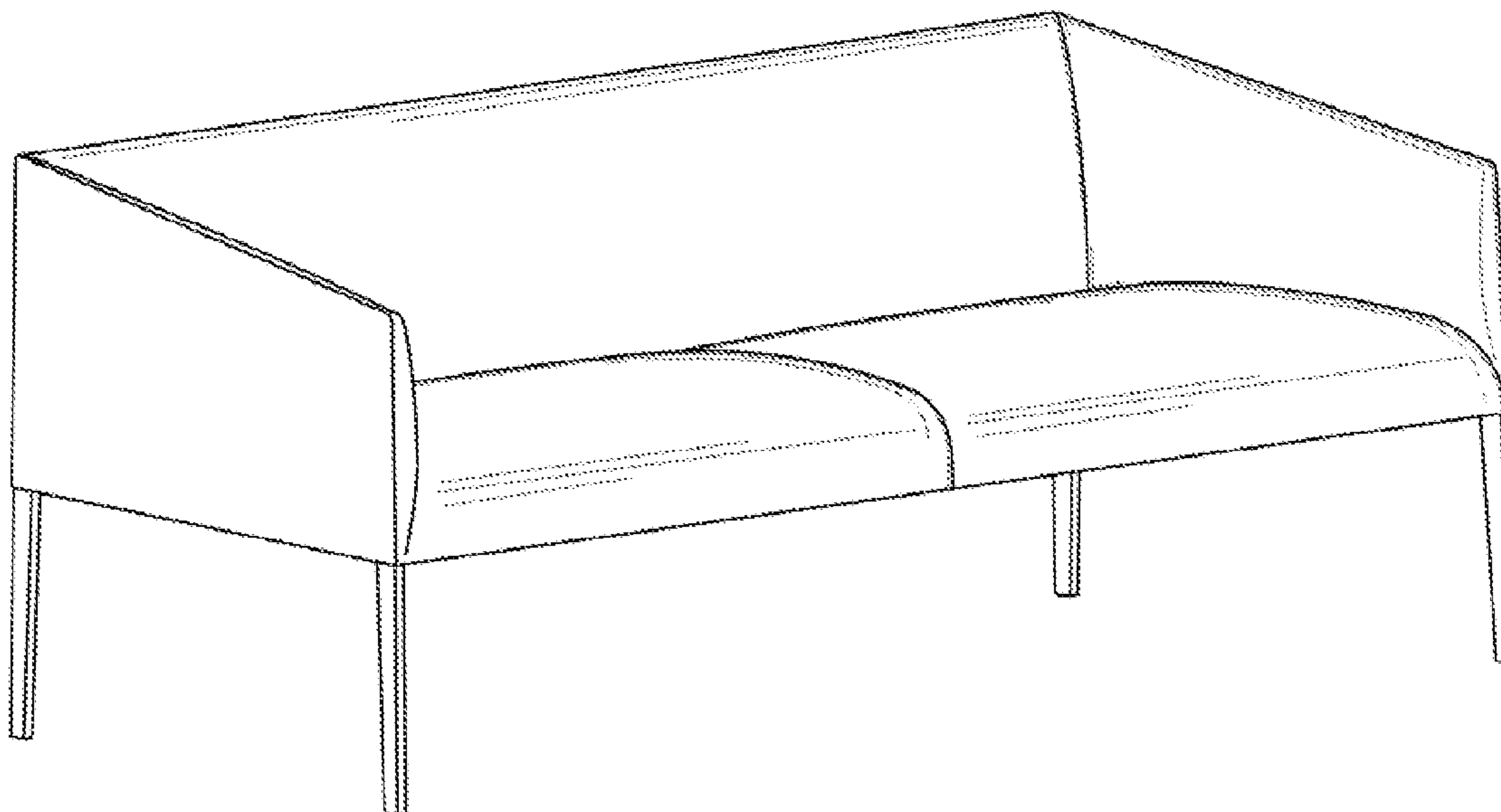
(57) **CLAIM**

The ornamental design for a sofa, as shown and described.

**DESCRIPTION**

FIG. 1 is a perspective view of a sofa, showing our new design from the front and right side;  
FIG. 2 is a right side elevational view thereof;  
FIG. 3 is a left side elevational view thereof;  
FIG. 4 is a front elevational view thereof;  
FIG. 5 is a rear elevational view thereof; and,  
FIG. 6 is a top plan view thereof.

**1 Claim, 6 Drawing Sheets**



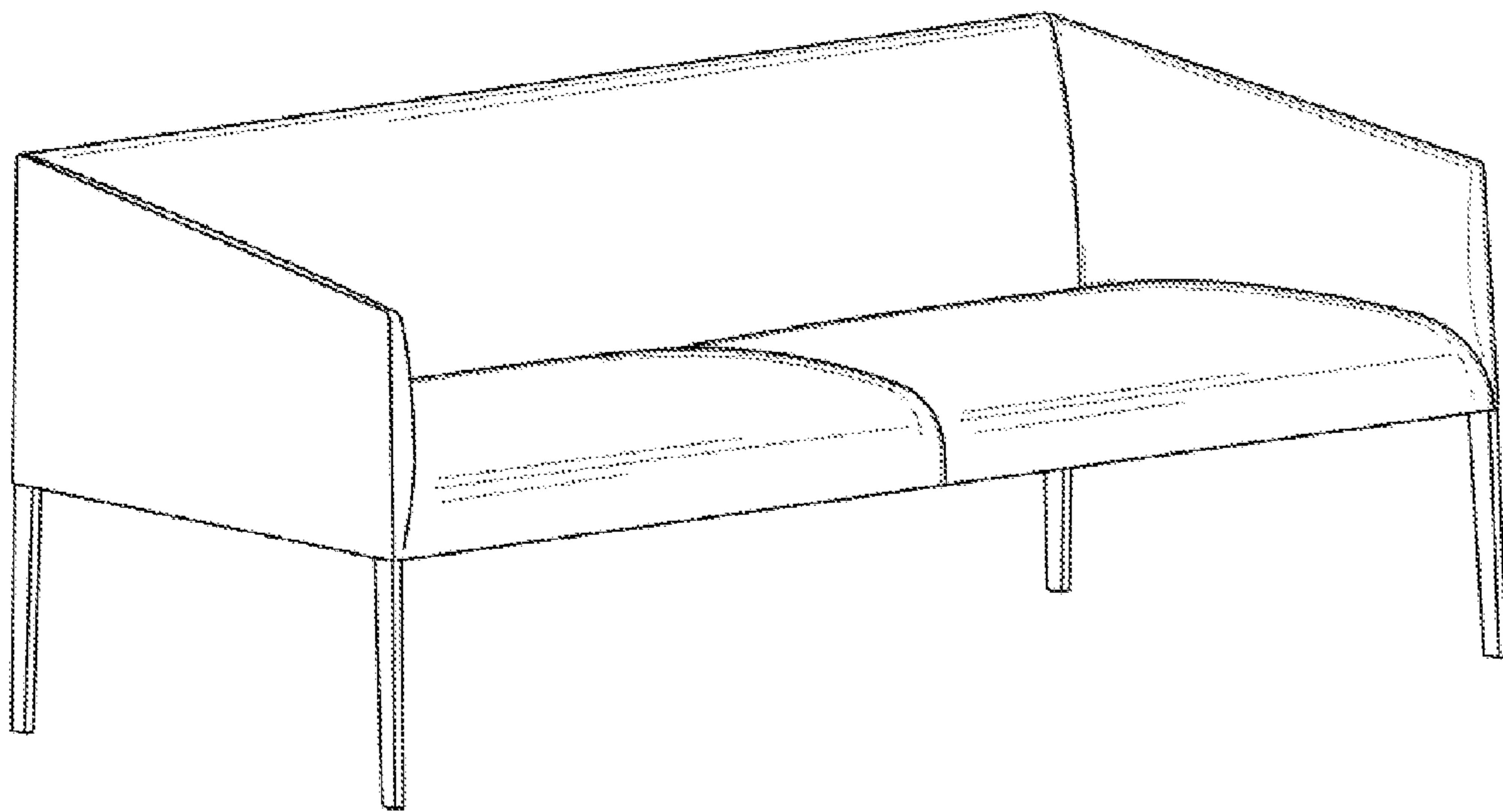


Fig. 1

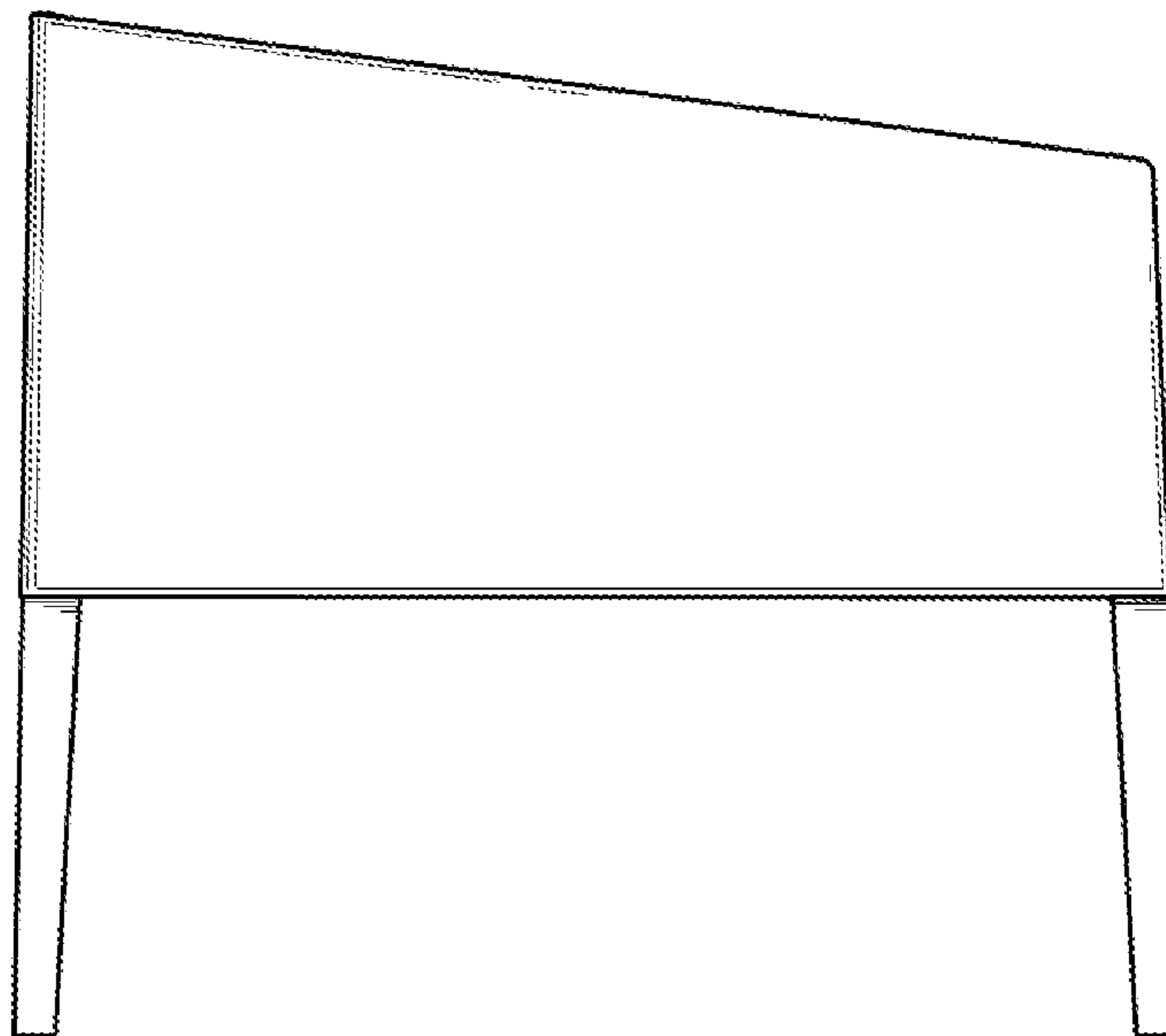


Fig. 2

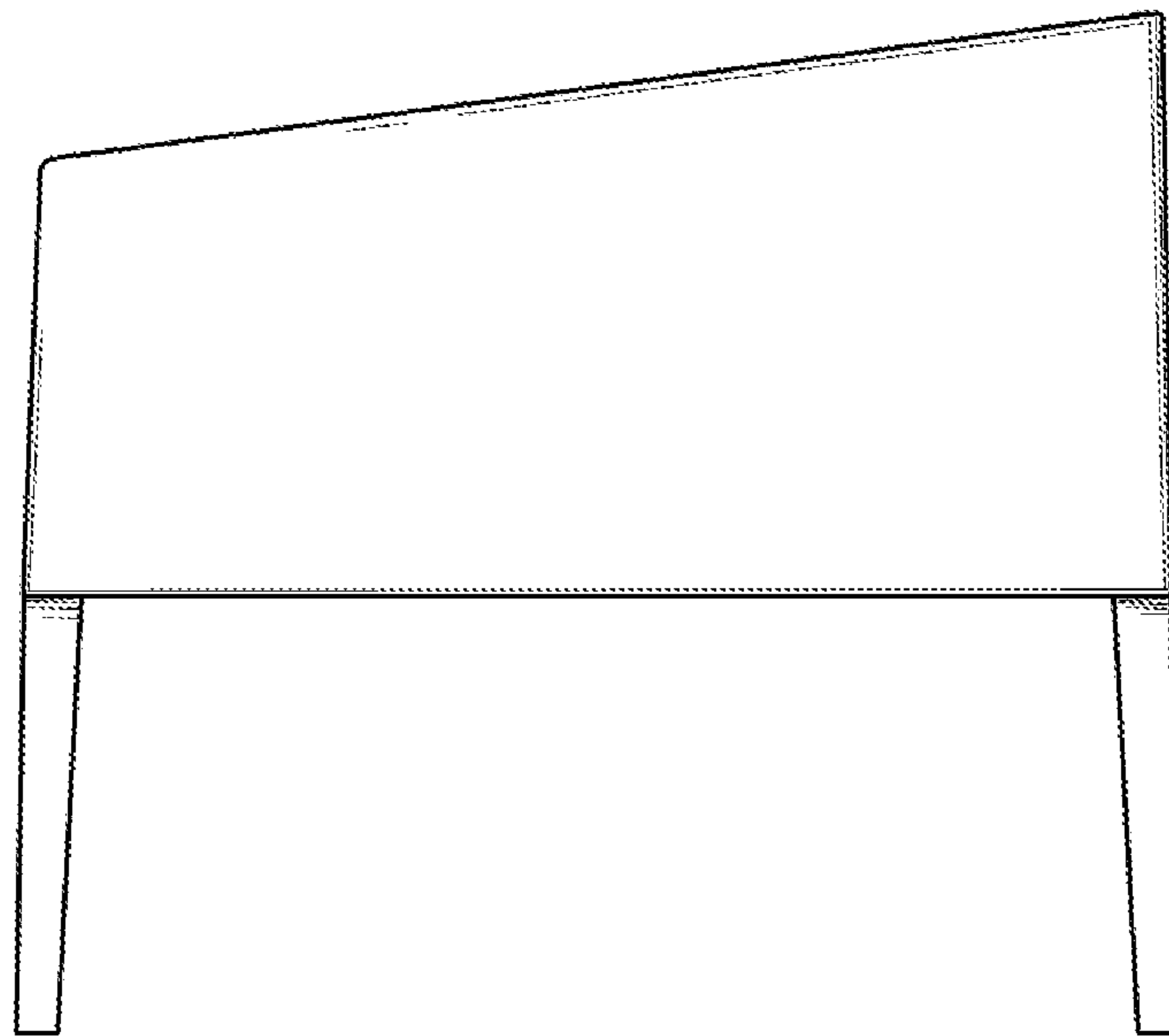


Fig. 3

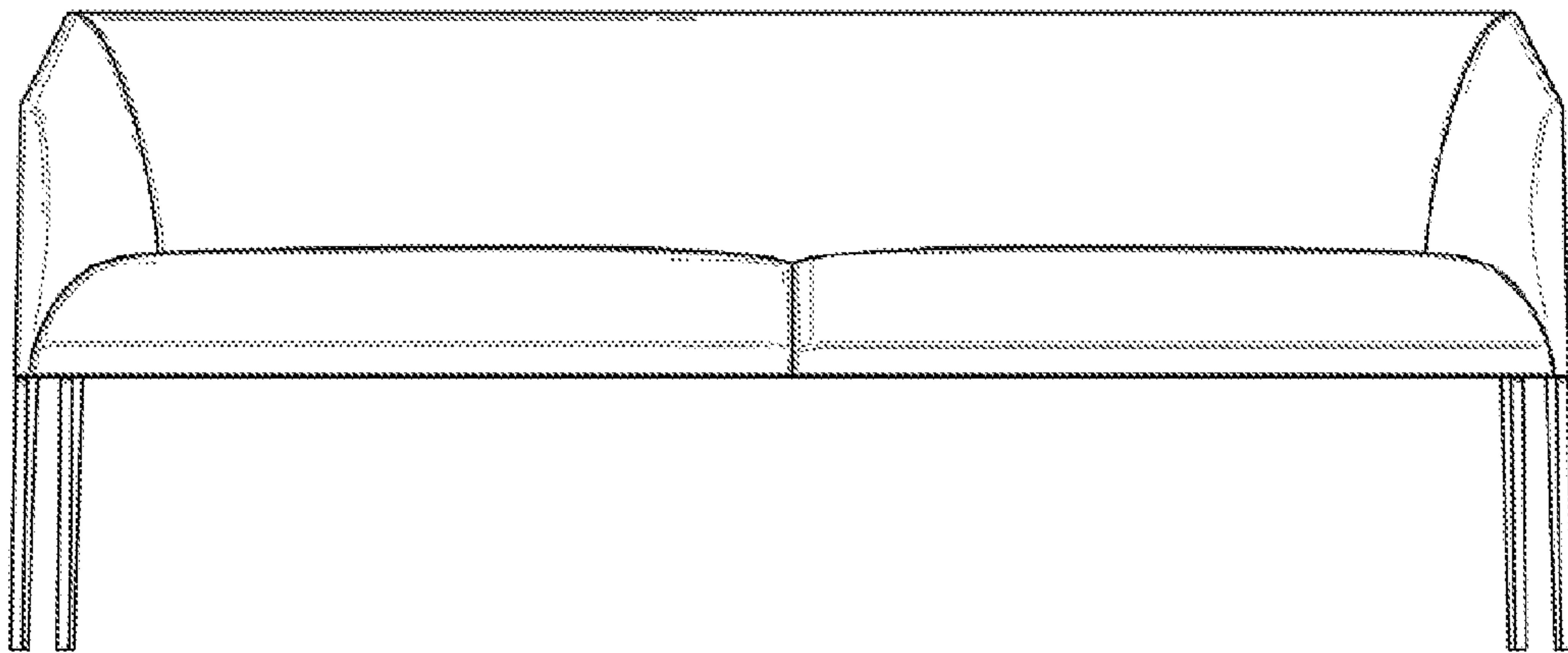


Fig. 4

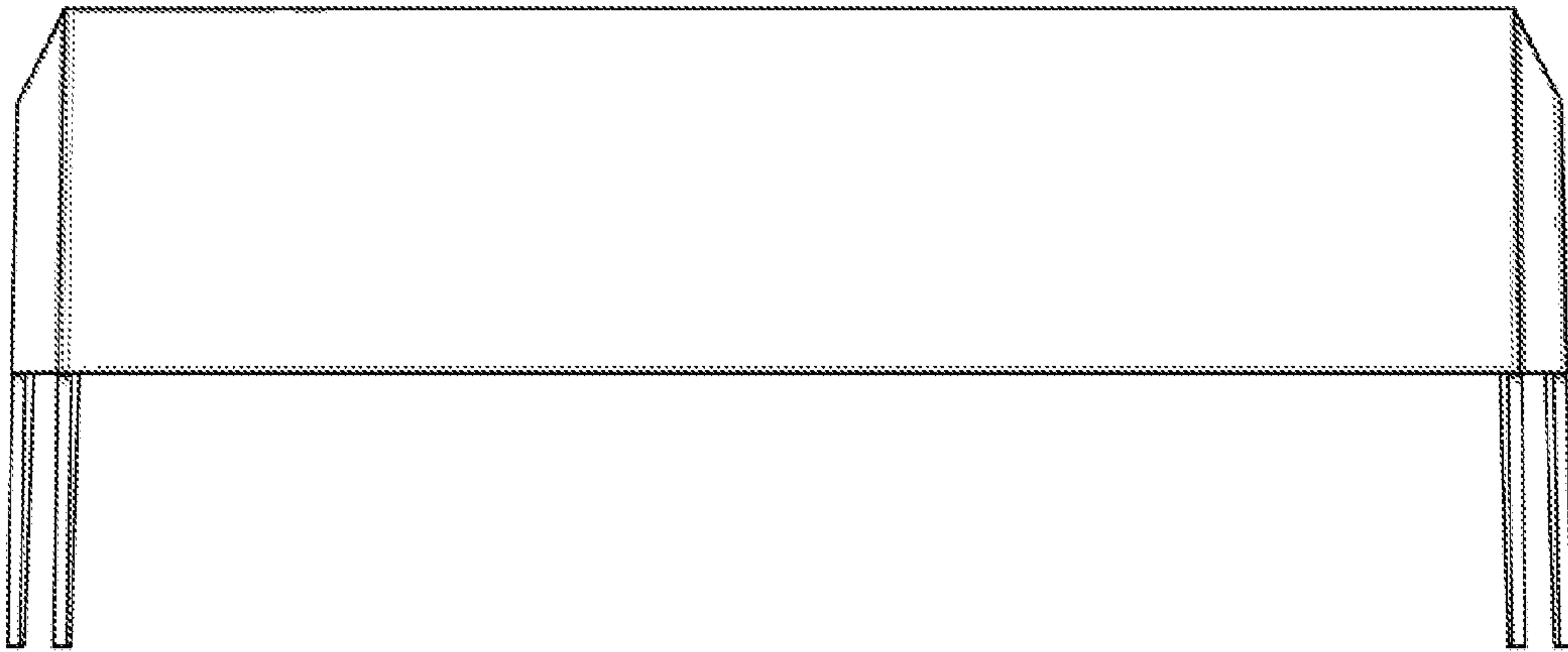


Fig. 5

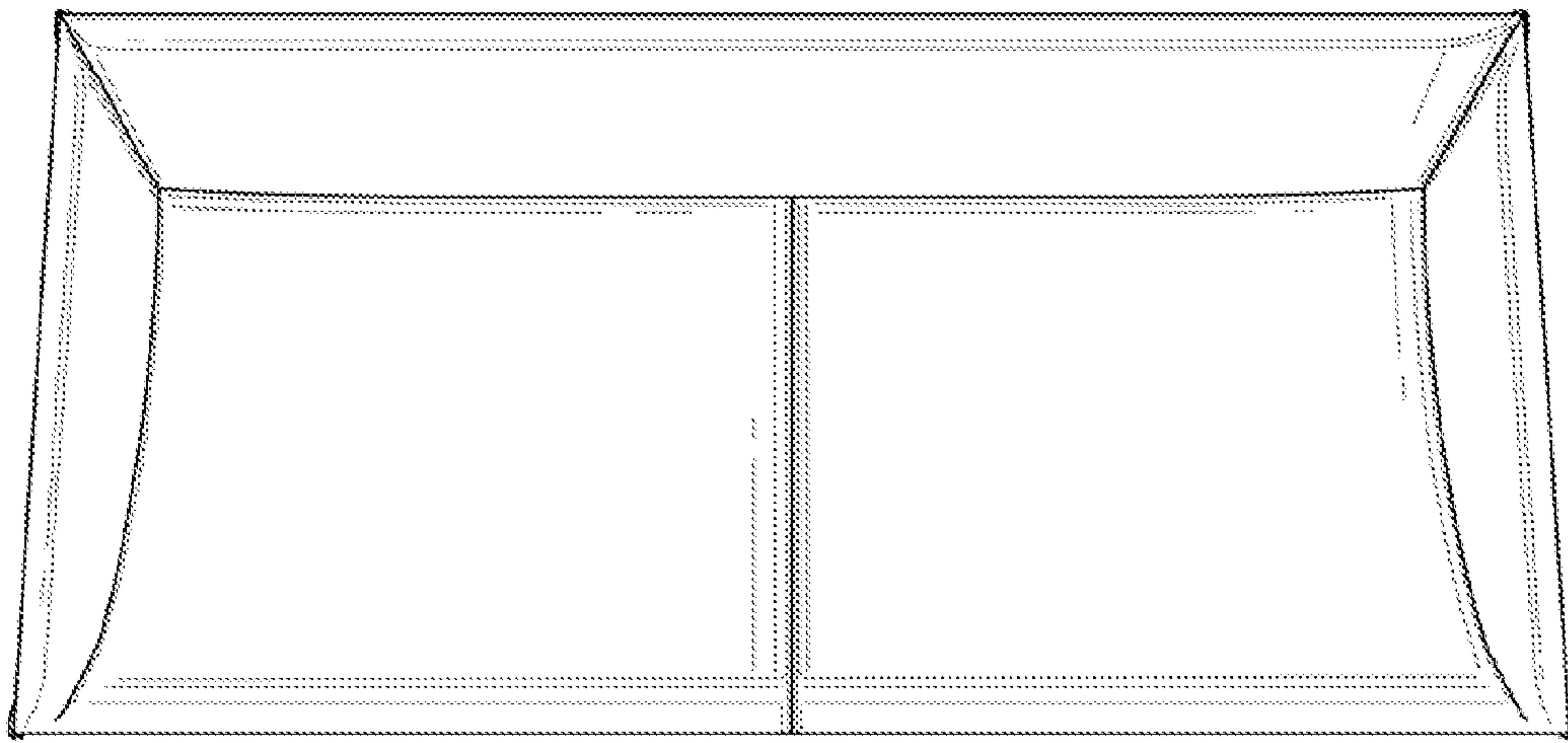


Fig. 6