

US00D679517S

(12) **United States Design Patent**
Corcorran et al.

(10) **Patent No.:** **US D679,517 S**

(45) **Date of Patent:** **** Apr. 9, 2013**

(54) **SEATING UNIT**

(71) Applicants: **Sean M. Corcorran**, East Grand Rapids, MI (US); **Thomas Overthun**, San Francisco, CA (US); **Elger Oberwelz**, San Francisco, CA (US); **David J. Battey**, Caledonia, MI (US); **Nickolaus William Charles Deevers**, Grand Rapids, MI (US); **Keith Robert Machin**, Wyoming, MI (US); **James N. Ludwig**, Grand Rapids, MI (US)

(72) Inventors: **Sean M. Corcorran**, East Grand Rapids, MI (US); **Thomas Overthun**, San Francisco, CA (US); **Elger Oberwelz**, San Francisco, CA (US); **David J. Battey**, Caledonia, MI (US); **Nickolaus William Charles Deevers**, Grand Rapids, MI (US); **Keith Robert Machin**, Wyoming, MI (US); **James N. Ludwig**, Grand Rapids, MI (US)

(73) Assignee: **Steelcase Inc.**, Grand Rapids, MI (US)

(**) Term: **14 Years**

(21) Appl. No.: **29/436,741**

(22) Filed: **Nov. 8, 2012**

Related U.S. Application Data

(63) Continuation of application No. 12/987,273, filed on Jan. 10, 2011.

(51) **LOC (9) Cl.** **06-01**

(52) **U.S. Cl.**
USPC **D6/375**

(58) **Field of Classification Search** D6/334-336, D6/344-349, 360-381, 388, 403, 495-502, D6/601; 297/22, 31, 35, 239, 256.16, 284.4-284.5, 297/291, 297, 302.4, 411.2, 411.27-411.29, 297/411.43, 440.13, 440.15, 451.1, 452.13, 297/452.19, 452.21, 452.27, 452.29, 452.3, 297/452.41, 452.56, 452.64

See application file for complete search history.

(56) **References Cited**

U.S. PATENT DOCUMENTS

1,737 A 8/1840 King

834,988 A 12/1905 Mallory
1,330,373 A 2/1920 Hall
2,343,077 A 2/1944 Parrish
2,643,703 A 6/1953 Willis et al.

(Continued)

OTHER PUBLICATIONS

U.S. Appl. No. 29/439,216, filed Dec. 7, 2012.

(Continued)

Primary Examiner — Ricky Pham

(74) *Attorney, Agent, or Firm* — Quarles & Brady LLP

(57) **CLAIM**

The ornamental design for a seating unit, as shown and described.

DESCRIPTION

FIG. 1 is a top, front, right perspective view of a seating unit embodying our new design;

FIG. 2 is a right side elevational view thereof, the left side elevational view thereof being a mirror image of the right side shown;

FIG. 3 is a top plan view thereof;

FIG. 4 is an exploded bottom, front, right perspective assembly view of seat and base components thereof;

FIG. 5 is an enlarged bottom, front perspective view of the seat component thereof; shown separately for completeness of disclosure;

FIG. 6 is an enlarged top, front, right perspective view of the base component thereof; shown separately for completeness of disclosure;

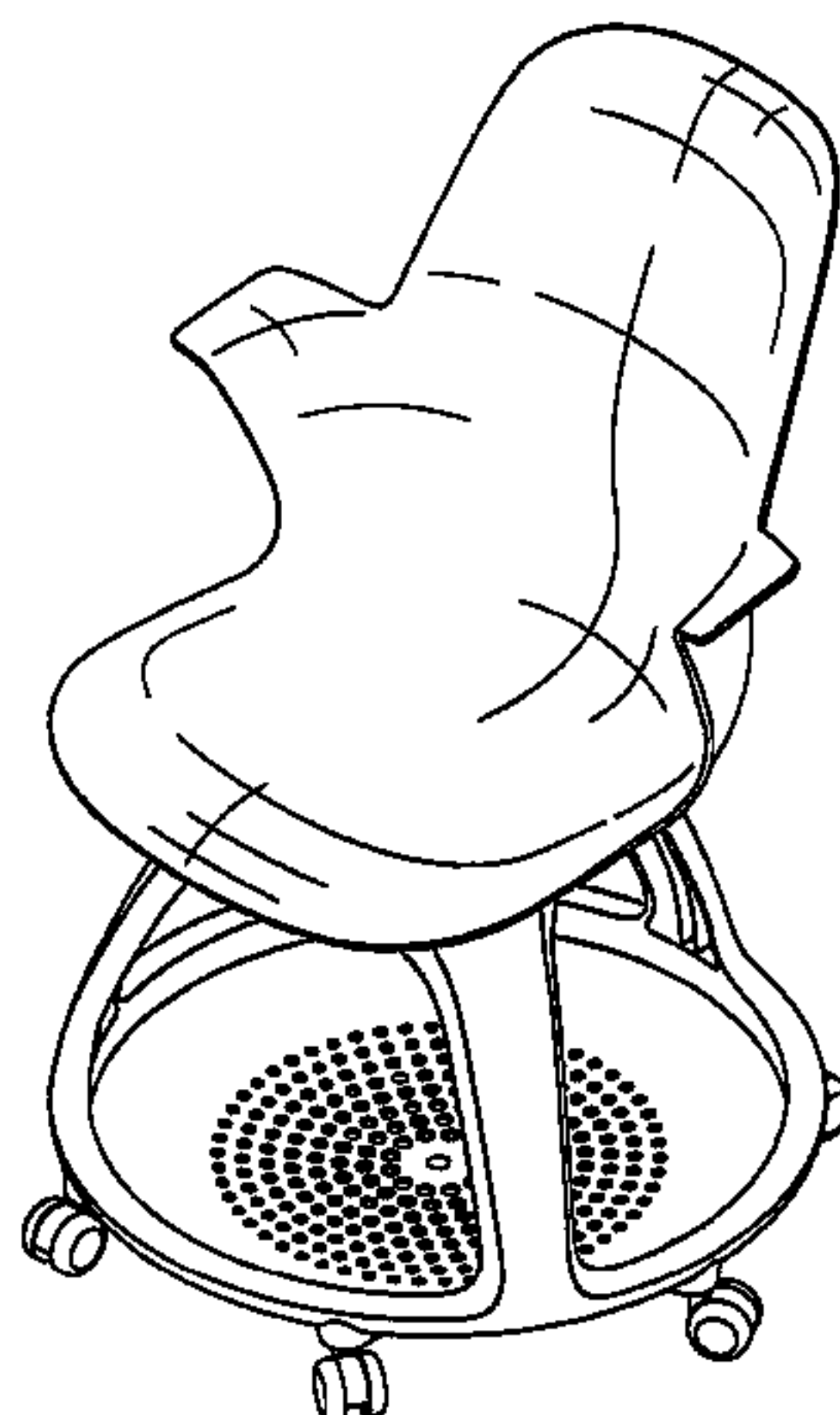
FIG. 7 is an enlarged exploded top, front, right perspective assembly view of the sub-components of the base component thereof; shown separately for ease of illustration;

FIG. 8 is an enlarged top plan view of the base component thereof; and,

FIG. 9 is an enlarged bottom plan view of the base component thereof.

The broken line representations in FIGS. 4 and 7 are assembly lines, and thus form no part of the claimed design.

1 Claim, 6 Drawing Sheets



US D679,517 S

Page 2

U.S. PATENT DOCUMENTS					
D177,231 S	3/1956	Hail et al.	5,653,499 A	8/1997	Goodall
2,748,841 A	6/1956	Rimkus	D383,927 S	9/1997	Vassallo
2,765,025 A	10/1956	Mary et al.	D398,452 S	9/1998	Reddig
D181,703 S	12/1957	Bargen et al.	5,816,649 A	10/1998	Shields
2,818,107 A	12/1957	Thaden	D406,195 S	3/1999	Gamberini
D181,945 S	1/1958	Saarinén	D410,128 S	5/1999	Dallas et al.
D181,975 S	1/1958	Hail et al.	5,954,393 A	9/1999	Perrin
D182,790 S	5/1958	Cohen	5,957,534 A	9/1999	Wilkerson et al.
D183,416 S	8/1958	Bellmann	D417,342 S	12/1999	Holbrook
2,845,699 A	8/1958	Woodard	D417,795 S	12/1999	Rashid
2,973,807 A	3/1961	Close	6,010,187 A	1/2000	Dallas et al.
2,989,112 A	6/1961	Sonnleitner	D422,424 S	4/2000	Gehry et al.
D192,029 S	1/1962	Avedon et al.	D422,806 S	4/2000	Neil
D193,847 S	10/1962	Mason	6,053,570 A	4/2000	Stern et al.
D194,980 S	4/1963	Careaga et al.	6,059,357 A	5/2000	Pearl
D195,725 S	7/1963	Chapman et al.	D426,973 S	6/2000	Risdall
D196,429 S	10/1963	Johnson	6,073,997 A	6/2000	Koh
D198,628 S	7/1964	Chapman et al.	6,082,822 A	7/2000	Kelly et al.
3,160,438 A	12/1964	Davis	D428,713 S	8/2000	Arko et al.
3,197,254 A	7/1965	Hendrickson	D440,064 S	4/2001	Deacon
D202,550 S	10/1965	Kramer	D443,991 S *	6/2001	Picotti D6/366
D205,939 S *	10/1966	Laverne D6/375	6,286,901 B1	9/2001	Ritch et al.
D207,262 S	3/1967	Maurer et al.	D456,186 S	4/2002	Liu
D209,282 S	11/1967	Boyd et al.	D456,647 S	5/2002	Whiteside et al.
3,361,472 A	1/1968	Hasbrouck	D457,007 S	5/2002	Pearce et al.
3,380,778 A	4/1968	Barecki	D457,019 S	5/2002	Liu
D219,376 S	12/1970	Pearson	6,390,551 B1	5/2002	Hendrickson
3,572,831 A	3/1971	Barecki et al.	D460,871 S	7/2002	Opsvik
3,574,400 A	4/1971	Day	6,422,646 B1	7/2002	McNally
3,584,915 A	6/1971	Meyers	D461,325 S	8/2002	Opsvik
3,586,367 A	6/1971	Cincotta	D461,327 S	8/2002	Pearce et al.
3,712,668 A	1/1973	Fink	D471,729 S	3/2003	Glass et al.
3,712,669 A	1/1973	Cates	D473,081 S	4/2003	Kita
D226,648 S	4/1973	Sobel et al.	6,588,845 B2	7/2003	Wilkerson et al.
D230,669 S	3/1974	Hendrickson	D477,921 S	8/2003	Bosman et al.
D230,670 S	3/1974	Begge	D479,053 S	9/2003	Chadwick et al.
3,844,609 A	10/1974	Bomber	D481,889 S	11/2003	Ciabatti
D237,662 S *	11/1975	Subert D6/334	6,669,282 B2	12/2003	Piretti
3,931,650 A	1/1976	Miller	6,669,301 B1	12/2003	Funk et al.
D244,978 S	7/1977	Polsky et al.	6,733,073 B2	5/2004	Whiteside et al.
D245,378 S	8/1977	Roericht	6,758,519 B2	7/2004	Harvey
4,050,491 A	9/1977	Hargrove	6,776,452 B2	8/2004	Onishi
4,062,590 A	12/1977	Polsky et al.	D497,261 S	10/2004	Epp et al.
4,074,918 A	2/1978	Kotzin	D497,487 S	10/2004	Azumi et al.
4,136,908 A	1/1979	Crayne	D502,016 S	2/2005	Goodworth
D264,149 S	5/1982	Buhk	6,871,905 B2	3/2005	Grace
4,427,232 A	1/1984	Malm	D503,560 S	4/2005	Rowland et al.
D274,771 S	7/1984	Ambasz et al.	D504,026 S	4/2005	Glass et al.
D279,246 S	6/1985	Murry	D505,022 S	5/2005	Mills et al.
4,529,247 A	7/1985	Stumpf et al.	D507,890 S	8/2005	Mills et al.
D288,388 S	2/1987	Ochsner	D511,416 S	11/2005	Obbitts et al.
D288,506 S	3/1987	Ochsner	D512,846 S	12/2005	Goodworth
D289,120 S	4/1987	Chadwick et al.	D513,892 S	1/2006	Glass et al.
4,744,603 A	5/1988	Knoblock	D514,829 S	2/2006	Glass et al.
D298,674 S	11/1988	Koller	D517,336 S	3/2006	Engelstad
D315,123 S	3/1991	Spiegel et al.	D518,304 S	4/2006	Crescenti
D315,998 S	4/1991	Edwards	D518,968 S	4/2006	Magnani et al.
5,015,033 A	5/1991	Winters	D525,445 S	7/2006	Liu et al.
5,015,038 A	5/1991	Mrotz	D525,446 S	7/2006	Farber
D319,159 S	8/1991	Silbersky et al.	D531,423 S	11/2006	Whiteside et al.
D326,577 S	6/1992	Edwards	D535,838 S *	1/2007	Ritch et al. D6/500
5,123,702 A	6/1992	Caruso	D542,039 S	5/2007	Glass et al.
5,169,210 A	12/1992	Fricano	D544,230 S	6/2007	Glass et al.
D332,703 S	1/1993	Gulliver	D546,085 S	7/2007	Ritch et al.
D334,314 S	3/1993	Milton	D546,087 S	7/2007	Rashid
D334,487 S	4/1993	Perry	D547,980 S	8/2007	Glass et al.
D351,510 S	10/1994	Lucci et al.	D549,018 S	8/2007	Glass et al.
5,364,137 A	11/1994	Shimer	D550,471 S	9/2007	Igarashi
D353,058 S	12/1994	Dallas	D552,856 S	10/2007	Chan
D358,514 S *	5/1995	Lovegrove D6/500	D553,380 S	10/2007	Natuzzi
D358,723 S	5/1995	Kelly et al.	D554,382 S *	11/2007	Nobles et al. D6/366
5,452,950 A	9/1995	Crenshaw et al.	D554,386 S	11/2007	Nobles et al.
D365,935 S	1/1996	Dallas	D555,372 S	11/2007	Lin
D366,772 S	2/1996	Pasin	D555,380 S	11/2007	Farber
5,489,145 A	2/1996	Van Hekken	D557,515 S	12/2007	Breen
5,499,413 A	3/1996	Van Hekken	D557,916 S	12/2007	Dietrich
D370,360 S	6/1996	Fewchuk	D560,918 S	2/2008	Fuksas
5,601,331 A	2/1997	Austinet al.	D562,019 S	2/2008	Lievore
			D566,412 S	4/2008	Van Severen

US D679,517 S

Page 3

7,354,110 B1	4/2008	Raghubir		D636,613 S	4/2011	Overthun et al.	
D572,029 S	7/2008	Bouroullec et al.		D646,085 S	10/2011	Overthun et al.	
D573,363 S	7/2008	Pillet		D646,497 S	10/2011	Overthun et al.	
D578,786 S	10/2008	Cantarutti		D649,802 S *	12/2011	Breinholt	D6/375
D584,521 S *	1/2009	Massaud	D6/366	D657,152 S *	4/2012	Lievore et al.	D6/366
D585,207 S	1/2009	Bauchet		D667,243 S *	9/2012	Su	D6/500
D585,657 S *	2/2009	Massaud	D6/366	2005/0012371 A1	1/2005	Mendenhall et al.	
D587,916 S	3/2009	Bouroullec et al.		2005/0099040 A1	5/2005	Mills et al.	
D592,870 S	5/2009	Olano Jauregui		2006/0261646 A1	11/2006	McQuire	
D592,876 S	5/2009	Smith et al.		2007/0284920 A1	12/2007	Mehaffey et al.	
7,530,632 B2	5/2009	Kaloustian et al.					
D596,871 S	7/2009	Farber					
D600,035 S	9/2009	Olano Jauregui et al.					
D600,052 S	9/2009	Smith et al.					
D600,458 S	9/2009	Starck					
D600,949 S *	9/2009	Overthun et al.	D6/500				
D609,037 S *	2/2010	Miller et al.	D6/500				
D618,922 S	7/2010	Fuchs					
D636,612 S	4/2011	Overthun et al.					

OTHER PUBLICATIONS

U.S. Appl. No. 29/439,217, filed Dec. 7, 2012.

U.S. Appl. No. 29/439,218, filed Dec. 7, 2012.

U.S. Appl. No. 29/439,221, filed Dec. 7, 2012.

* cited by examiner

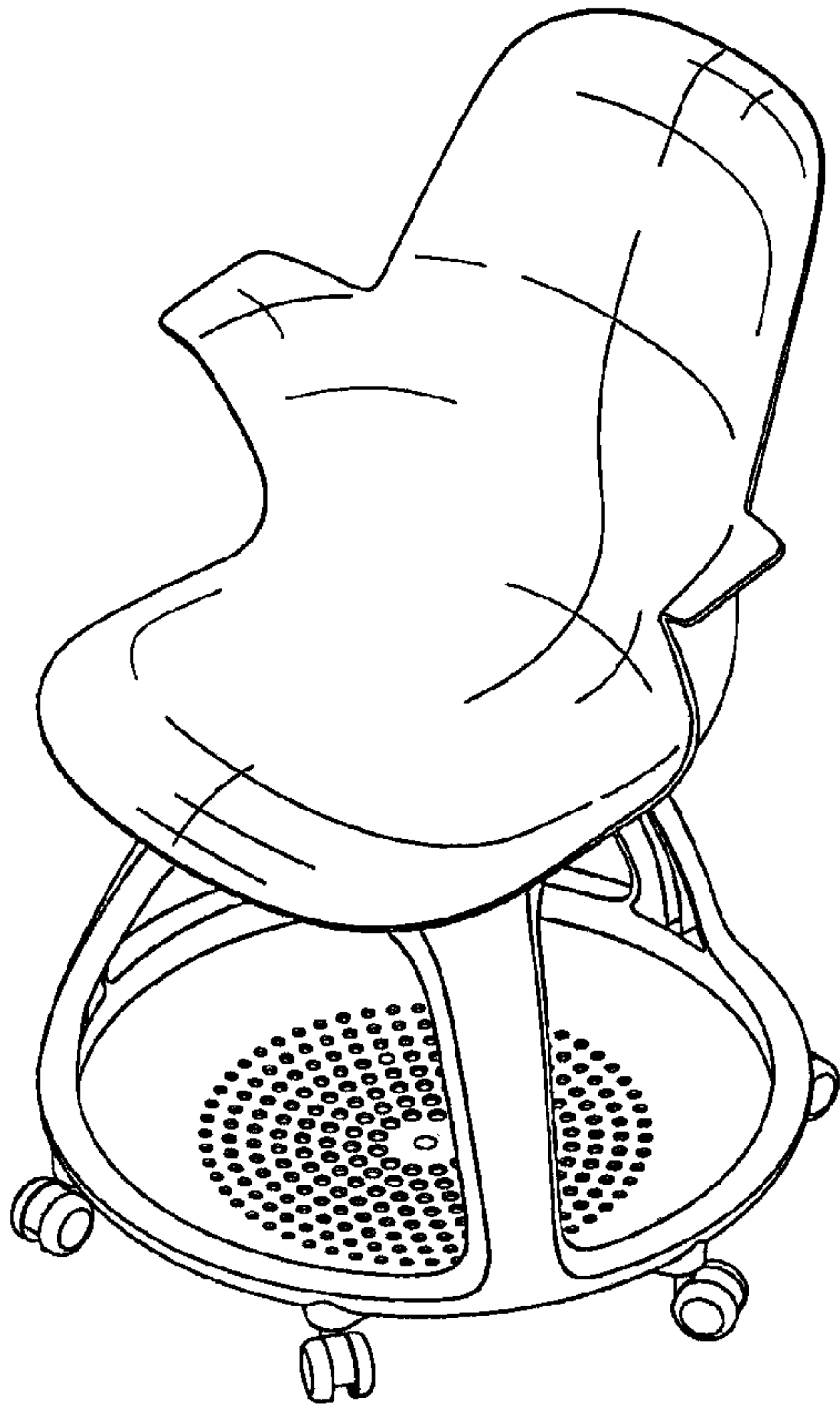


FIG. 1

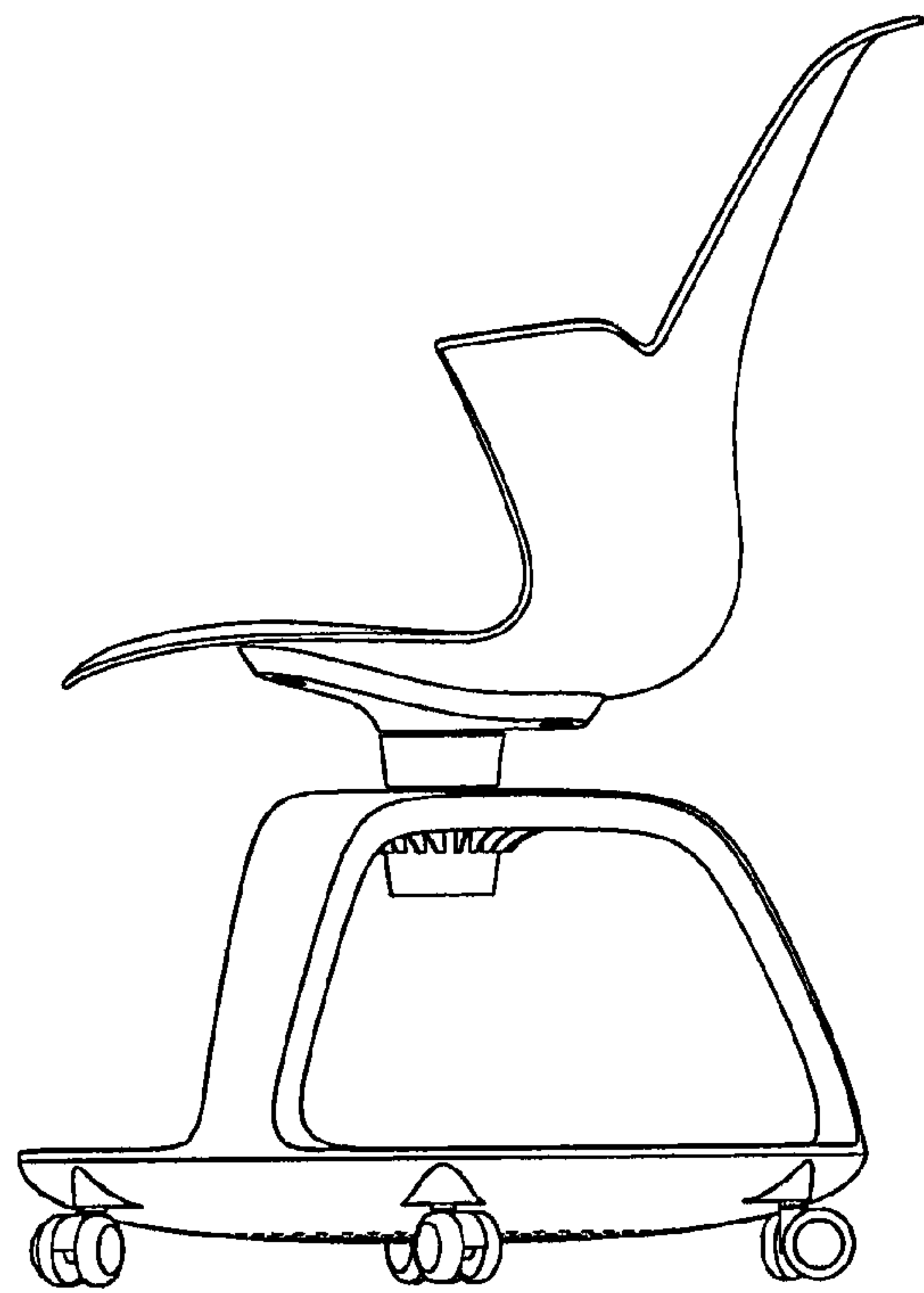


FIG. 2

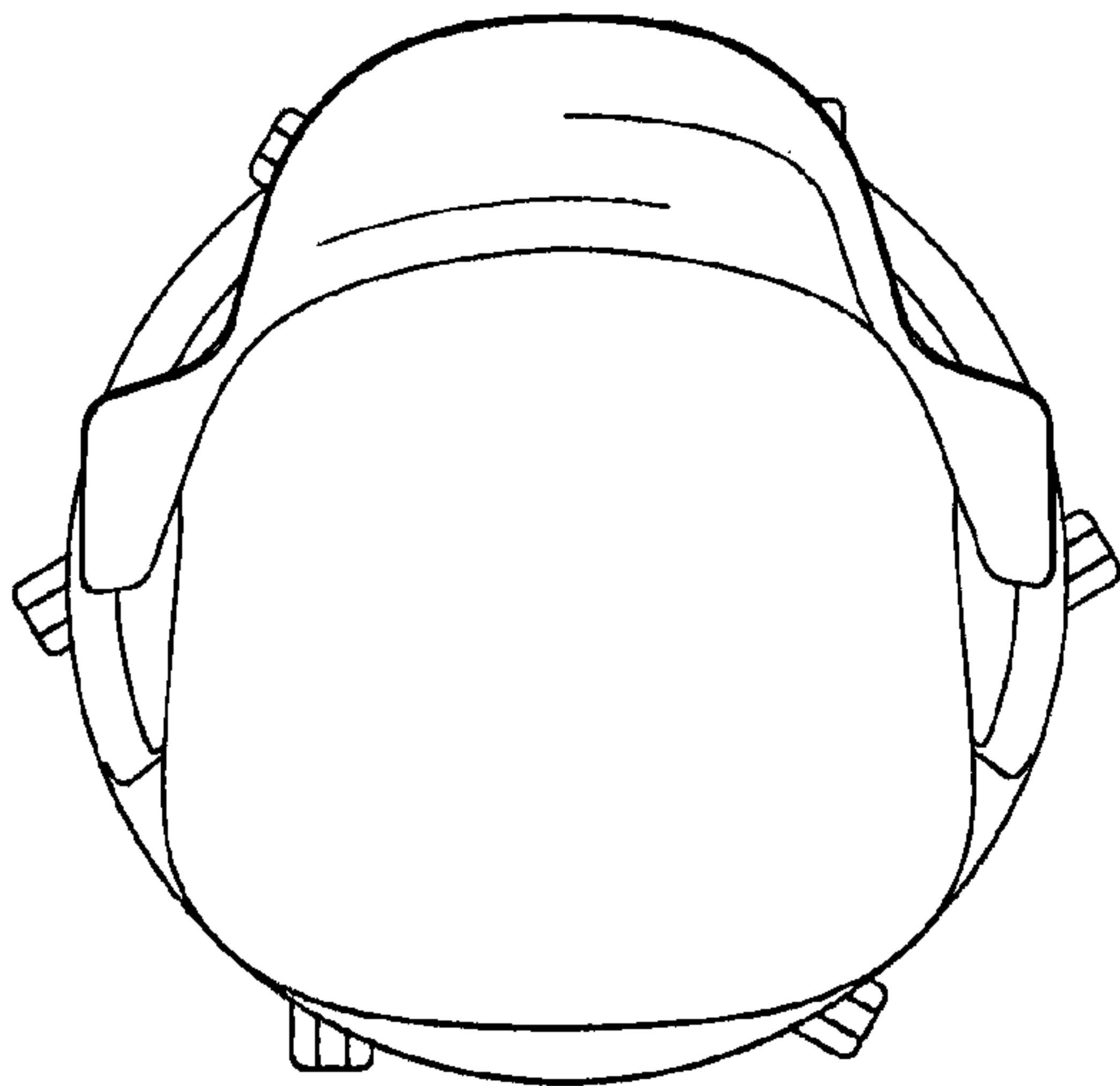


FIG. 3

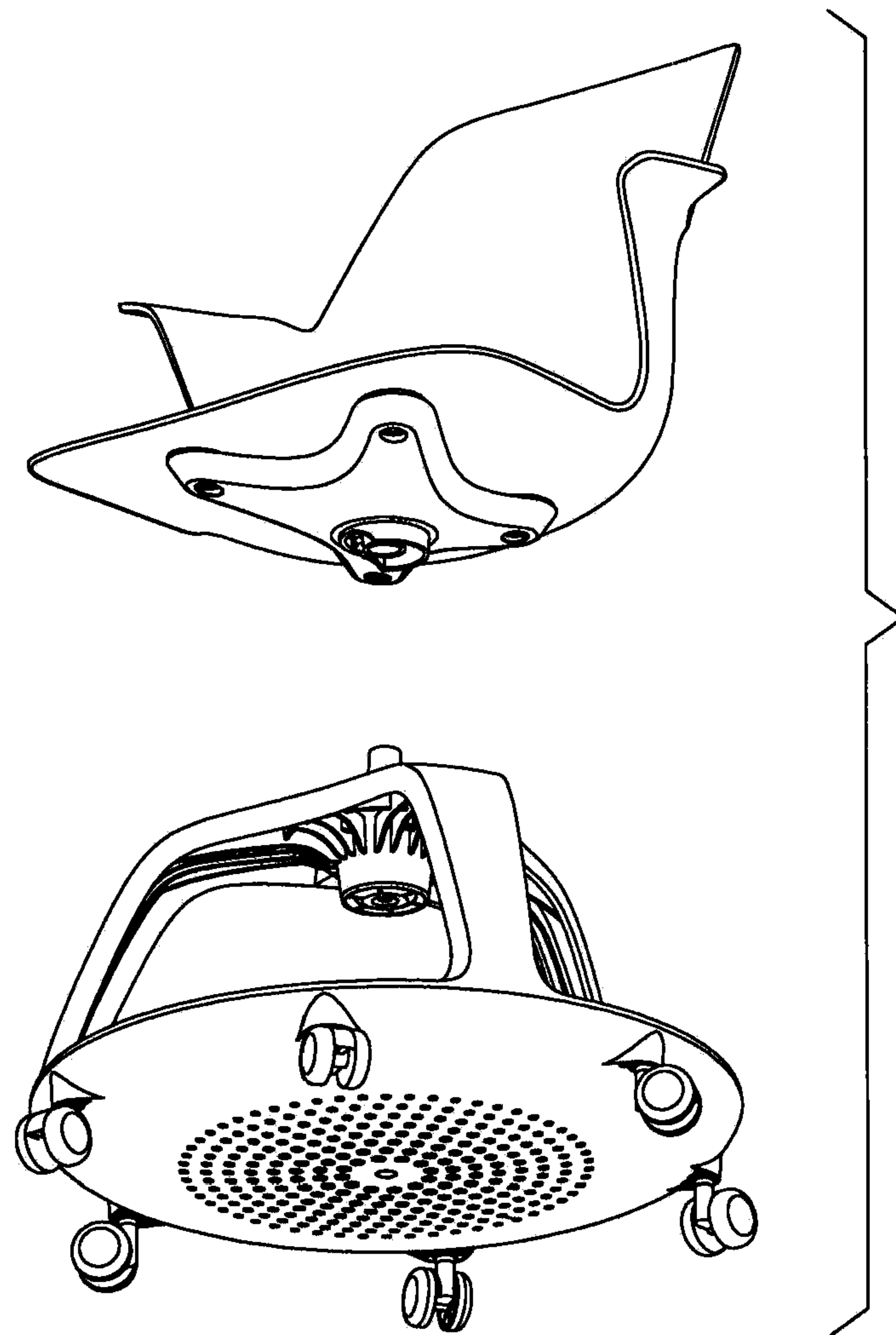


FIG. 4

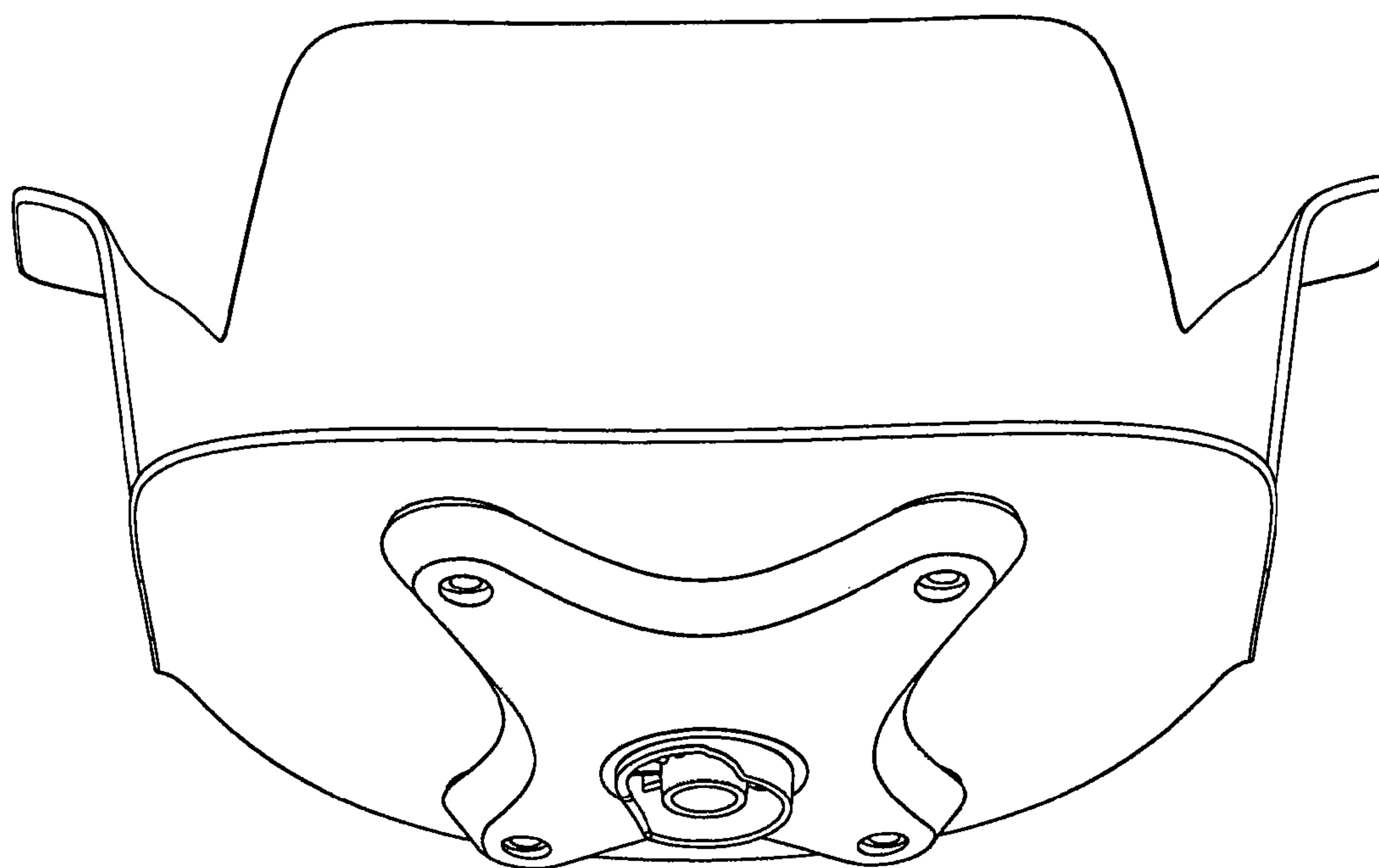


FIG. 5

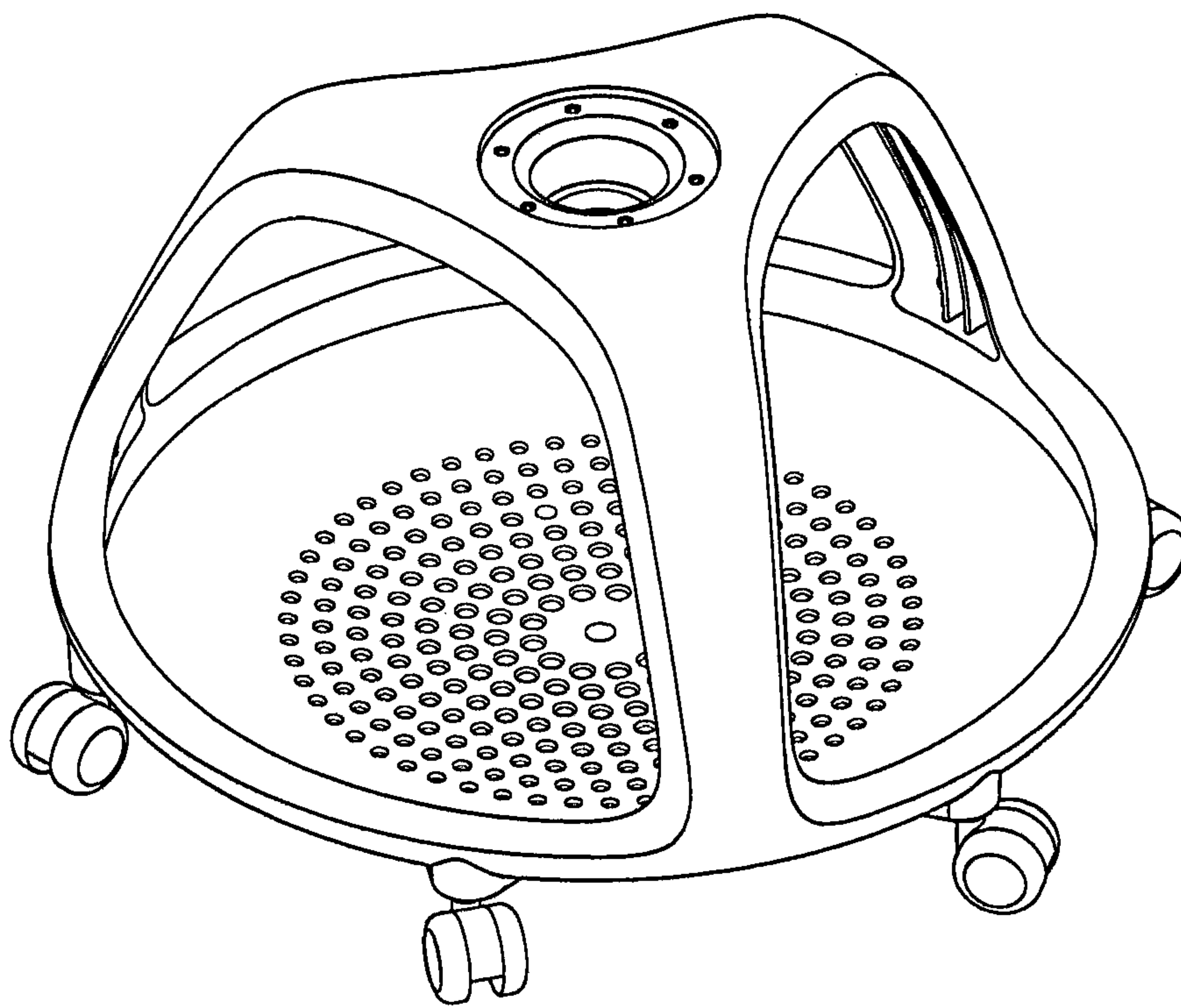


FIG. 6

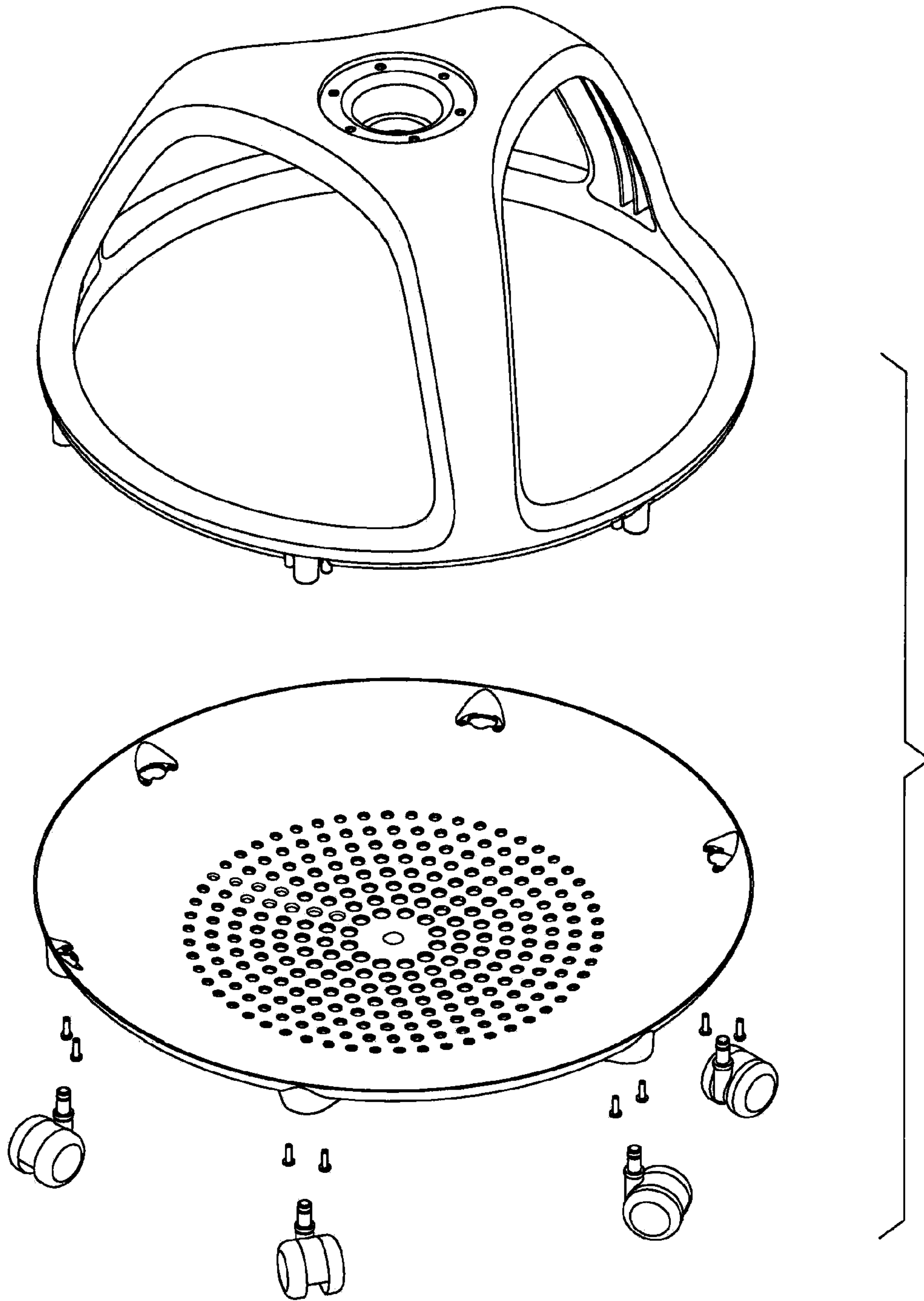


FIG. 7

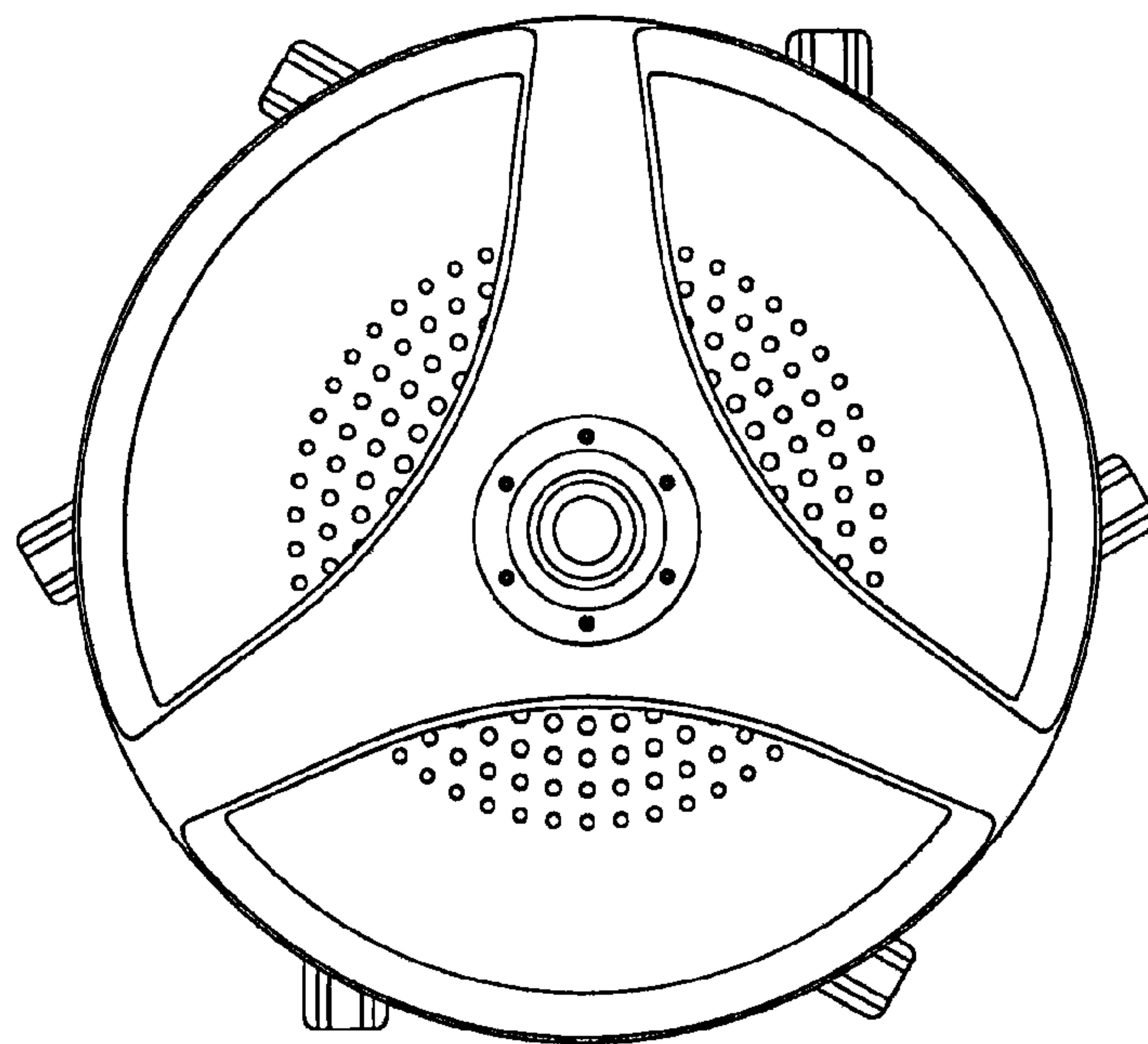


FIG. 8

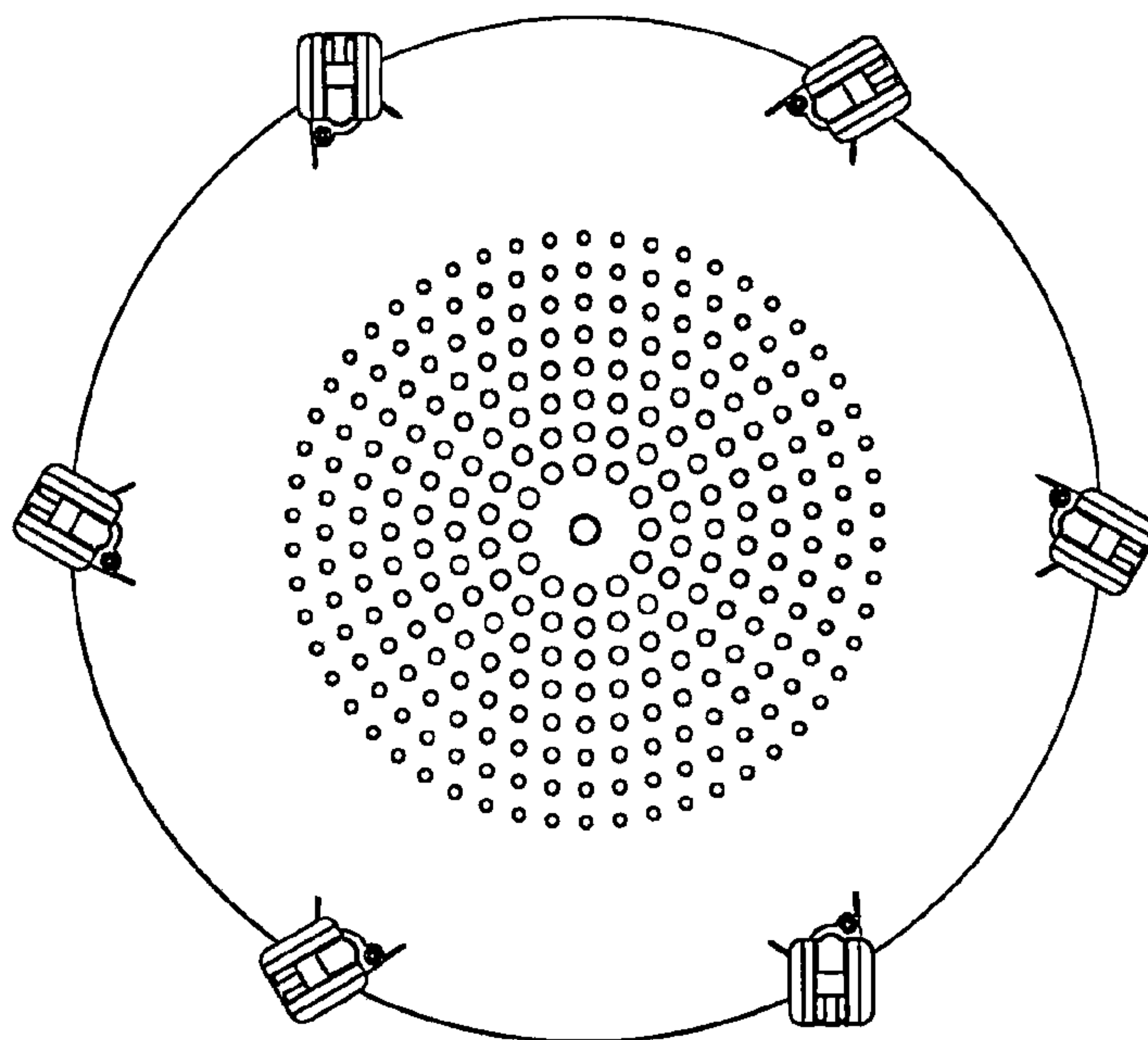


FIG. 9