

US00D679516S

(12) **United States Design Patent**
Zannella

(10) **Patent No.:** **US D679,516 S**

(45) **Date of Patent:** **** Apr. 9, 2013**

(54) **CHAIR**

(76) Inventor: **Anna Zannella**, Pontecurone (IT)

(**) Term: **14 Years**

(21) Appl. No.: **29/360,915**

(22) Filed: **May 3, 2010**

(51) **LOC (9) Cl.** **06-01**

(52) **U.S. Cl.**
USPC **D6/375**

(58) **Field of Classification Search** D6/334-336,
D6/361, 372-376, 379-380, 500-502; 297/284.2,
297/295, 445.1, 446.1, 451.7, 452.12, 452.19
See application file for complete search history.

(56) **References Cited**

U.S. PATENT DOCUMENTS

2,246,057	A *	6/1941	Michaelis	297/287
D167,940	S *	10/1952	Hofgesang	D6/375
D227,205	S *	6/1973	Moecki	D6/372
3,749,444	A *	7/1973	Persson et al.	297/450.1
3,770,317	A *	11/1973	Persson et al.	297/451.7
D240,575	S *	7/1976	Rinaldi	D6/372
D244,239	S *	5/1977	Laroye	D6/373
D252,840	S *	9/1979	Scholten	D6/375
D289,346	S *	4/1987	Arato	D6/310
D339,925	S *	10/1993	Farre-Escofet Paris	D6/364
D518,301	S *	4/2006	Ng et al.	D6/335
D521,265	S *	5/2006	Andersson	D6/375

D565,309	S *	4/2008	Cramer et al.	D6/334
D572,929	S *	7/2008	van Ierssel et al.	D6/375
D586,140	S *	2/2009	Massaud	D6/369
D588,825	S *	3/2009	van Ierssel et al.	D6/375
D596,863	S *	7/2009	Bergmann et al.	D6/369
D601,819	S *	10/2009	Marin et al.	D6/369
D602,274	S *	10/2009	Peng et al.	D6/369
D632,503	S *	2/2011	Saul	D6/335
D641,178	S *	7/2011	Drilling	D6/334
D646,072	S *	10/2011	Katina	D6/374
D646,498	S *	10/2011	Blasini et al.	D6/375
2010/0078985	A1 *	4/2010	Mahoney et al.	297/446.1

* cited by examiner

Primary Examiner — Kelley Donnelly

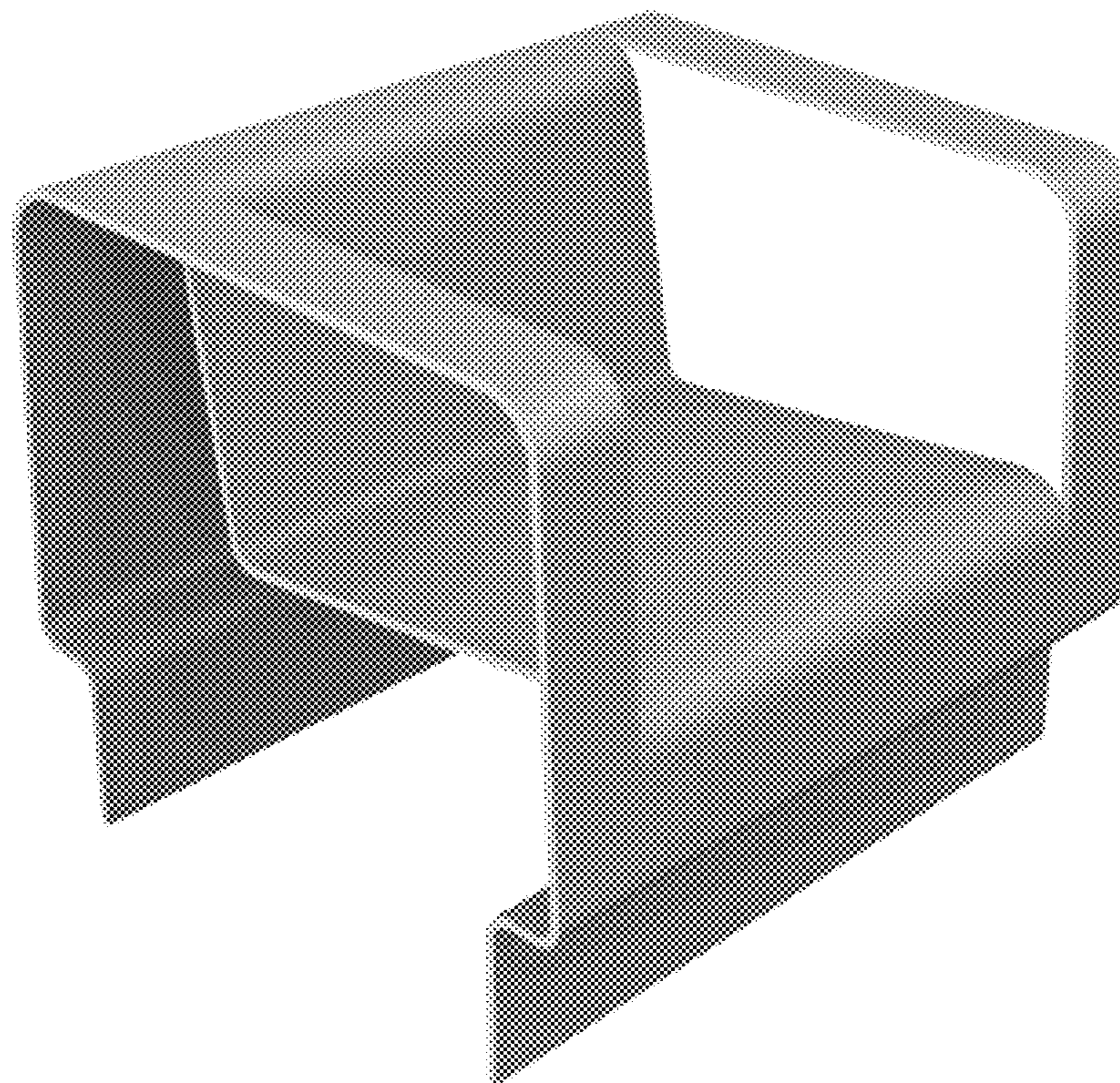
(57) **CLAIM**

The ornamental design for a chair, as shown and described.

DESCRIPTION

FIG. 1 is a perspective view of a chair, showing my new design;
FIG. 2 is a right side elevational view thereof, the left side being a mirror image thereof;
FIG. 3 is a front elevational view thereof;
FIG. 4 is a rear elevational view thereof;
FIG. 5 is a top plan view thereof; and,
FIG. 6 is a bottom plan view thereof.

1 Claim, 1 Drawing Sheet



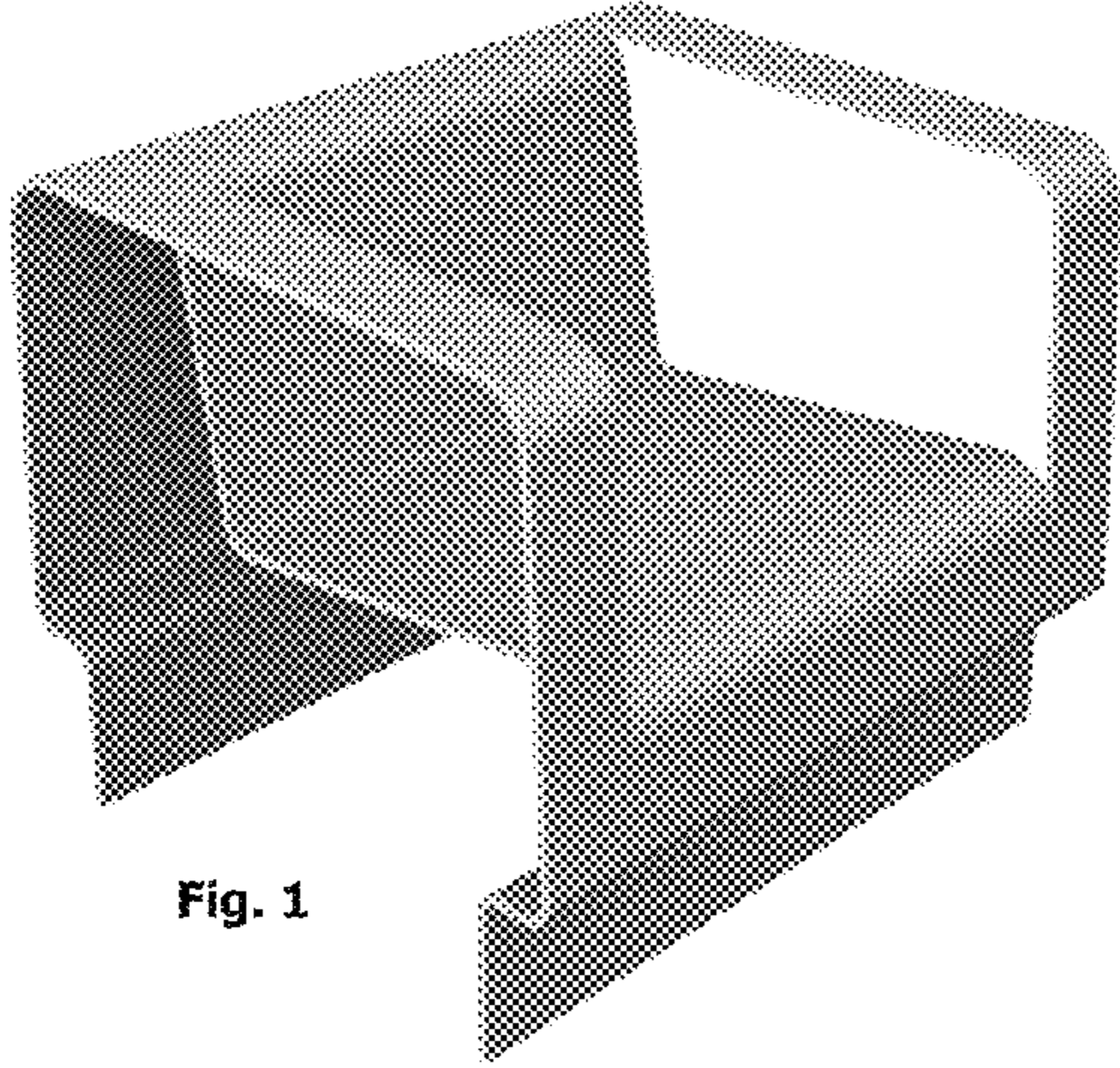


Fig. 1

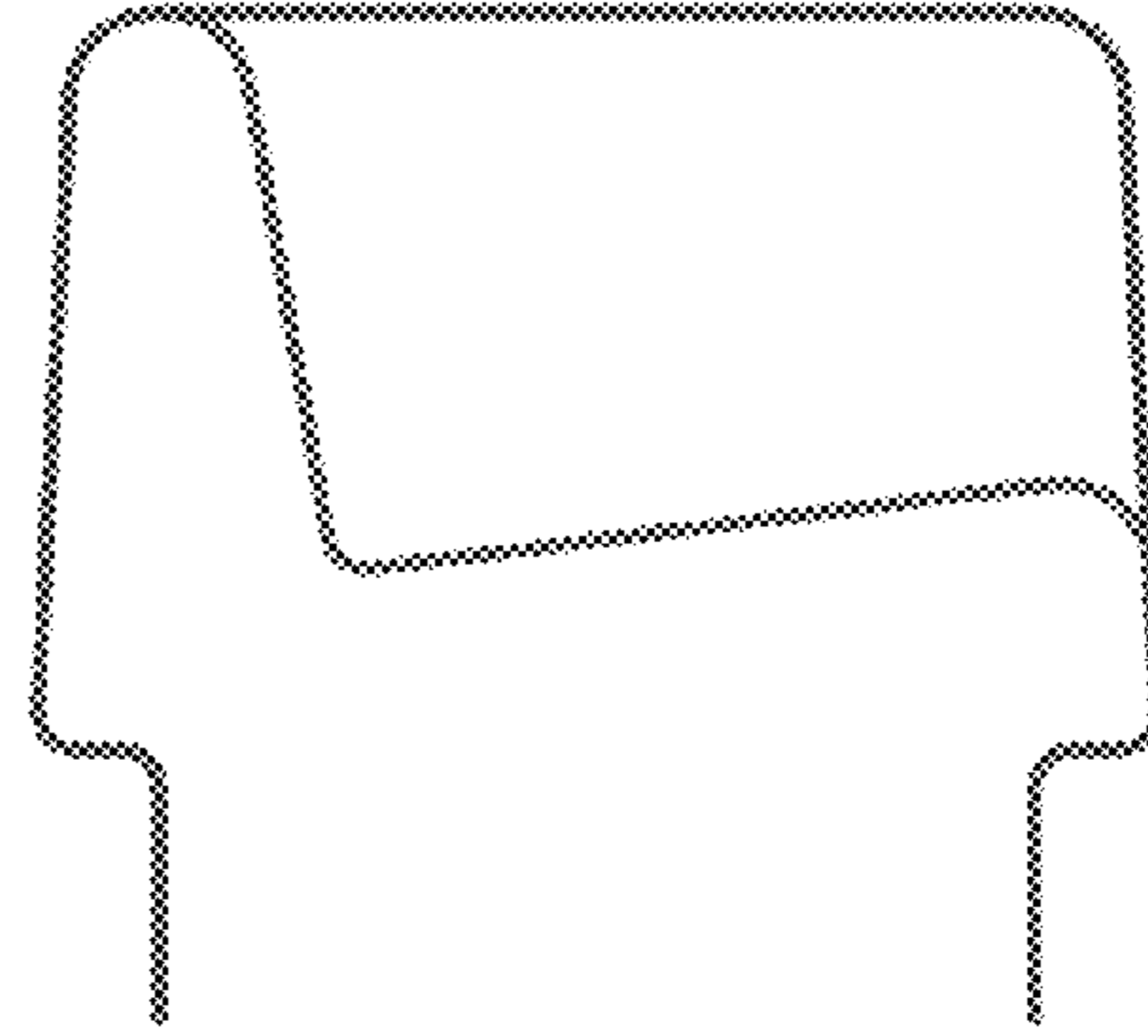


Fig. 2

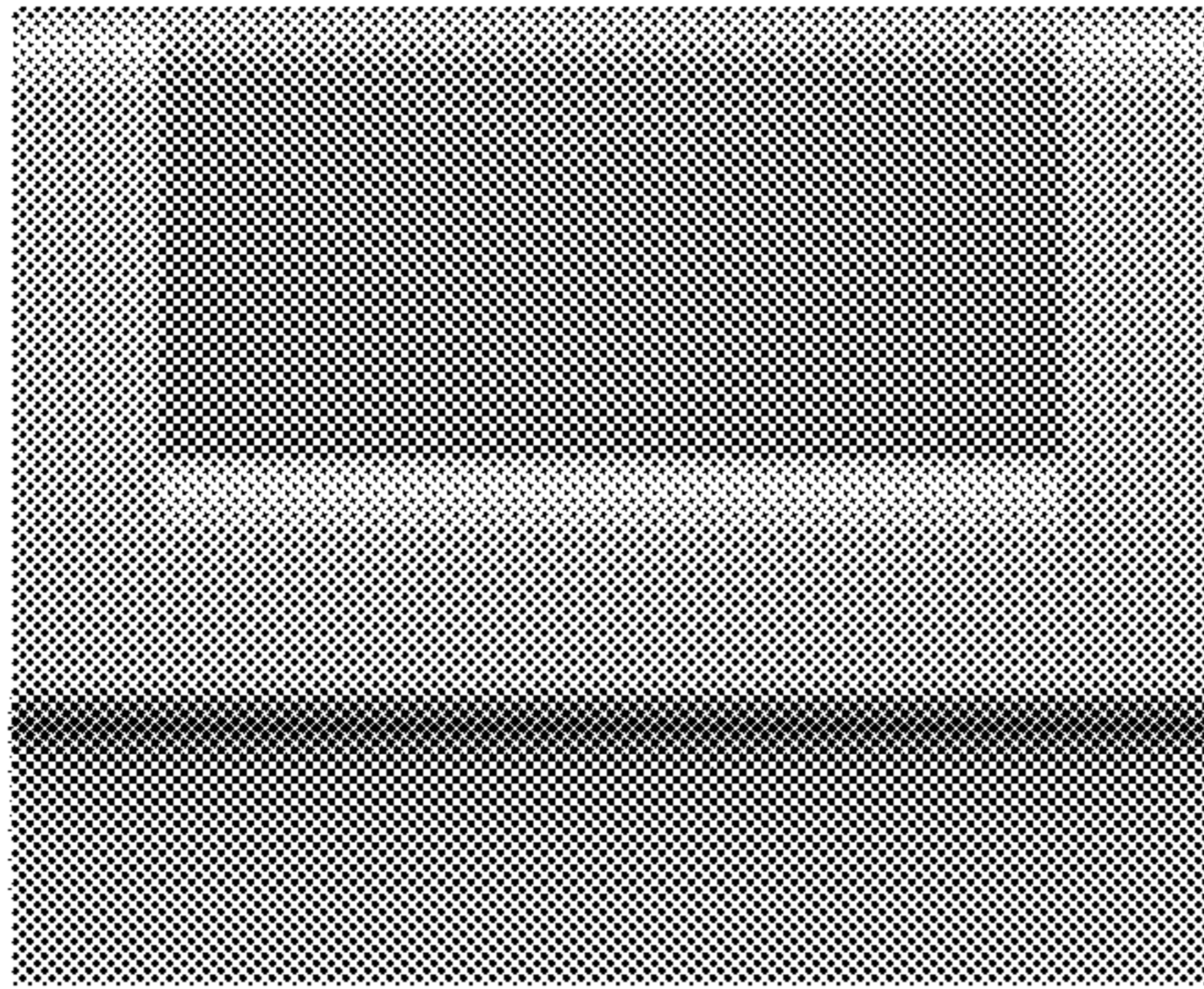


Fig. 3

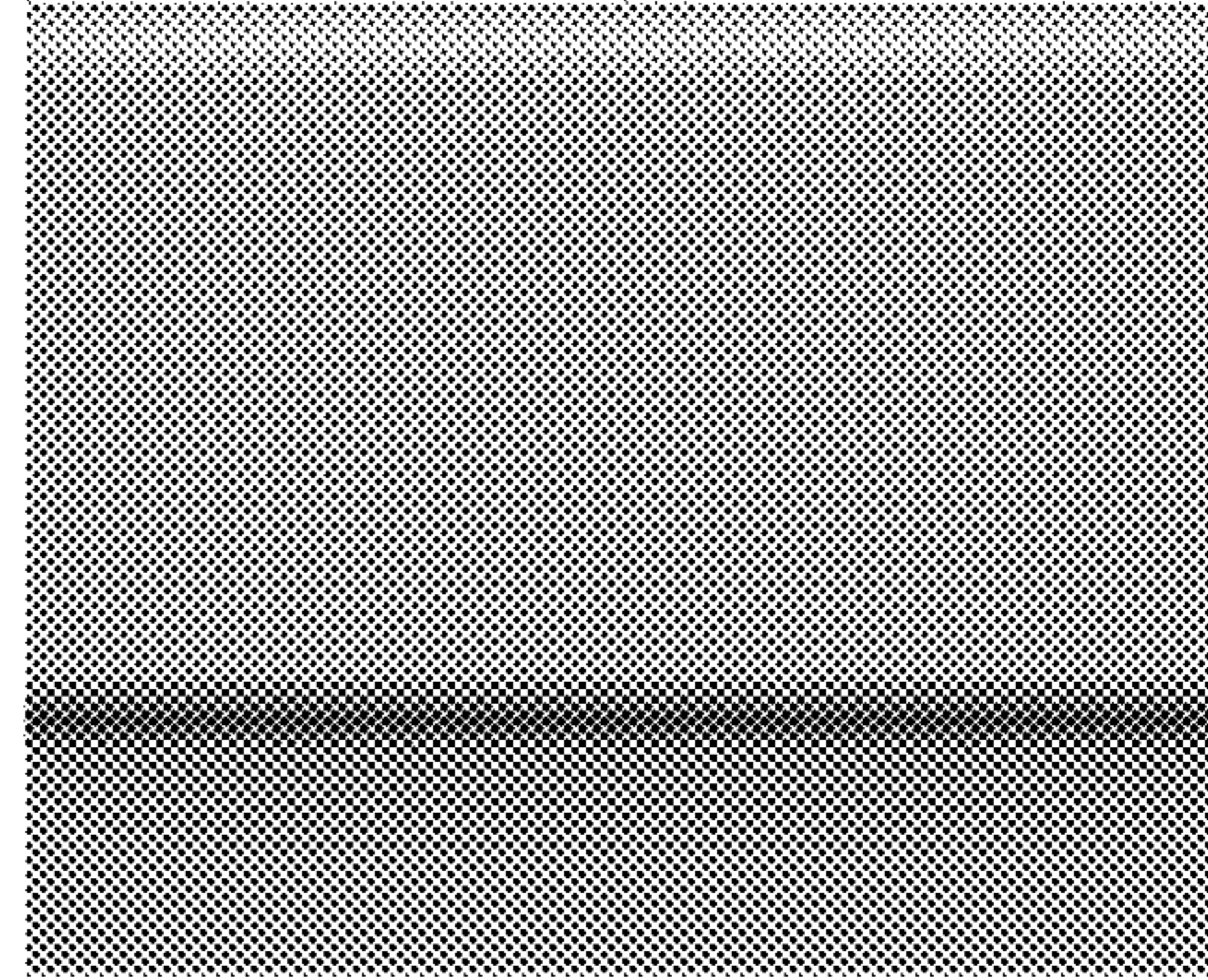


Fig. 4

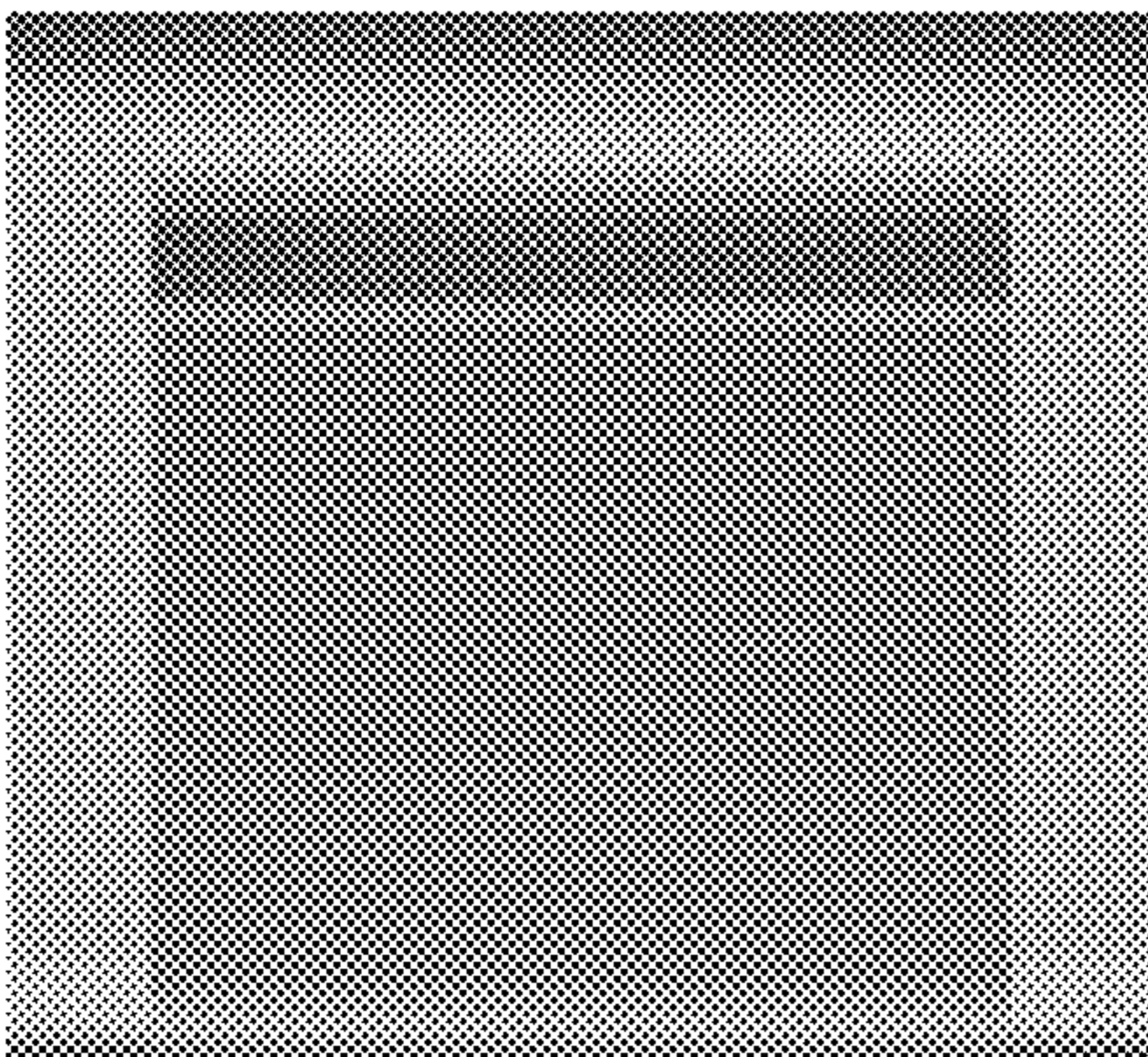


Fig. 5

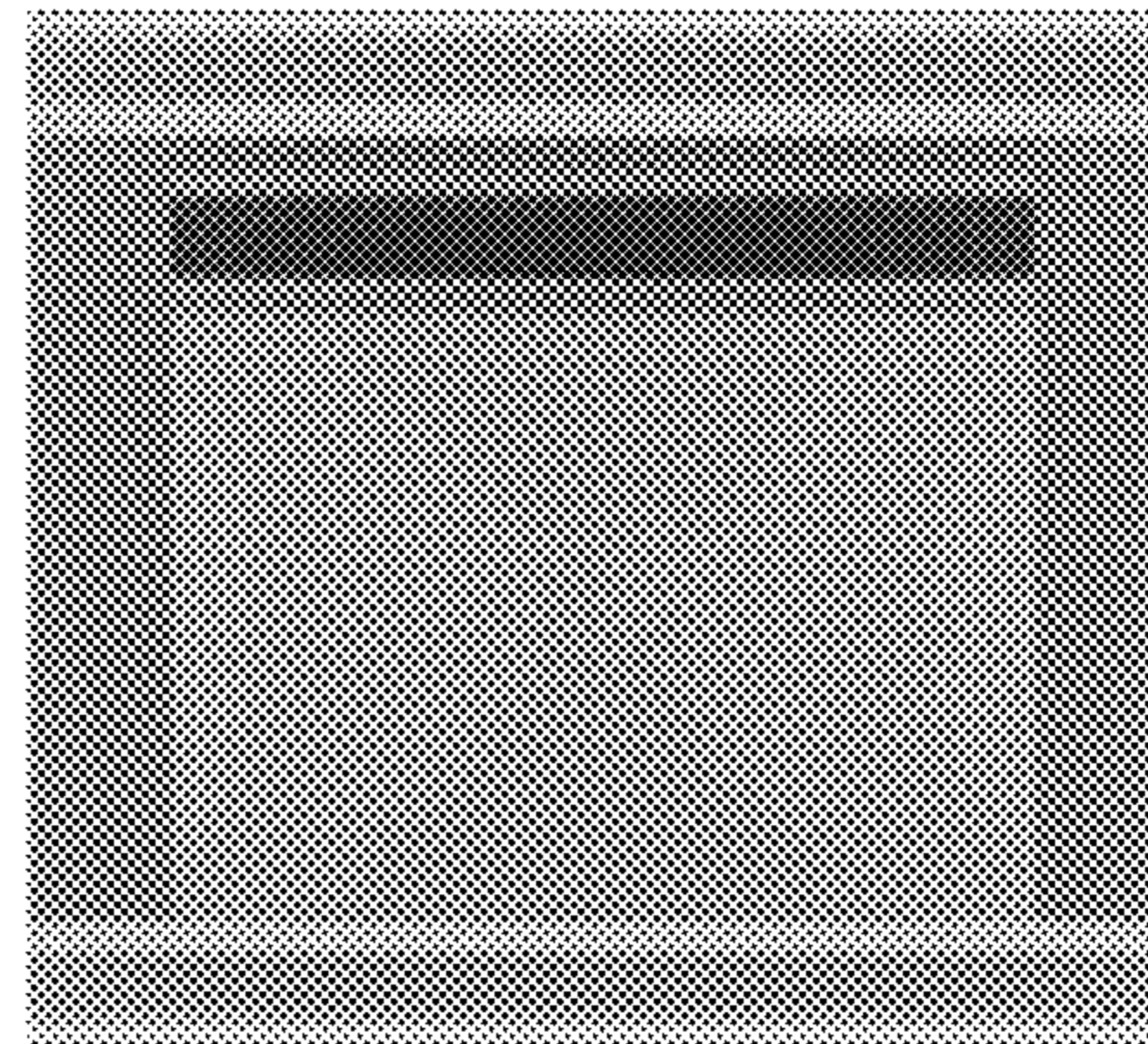


Fig. 6