



US00D679513S

(12) **United States Design Patent**
Braverman

(10) **Patent No.:** **US D679,513 S**

(45) **Date of Patent:** **** Apr. 9, 2013**

(54) **COMMODE CHAIR**

(75) Inventor: **Guy Braverman**, London (GB)

(73) Assignee: **Gama Healthcare Limited**, London (GB)

(**) Term: **14 Years**

(21) Appl. No.: **29/410,722**

(22) Filed: **Jan. 11, 2012**

(30) **Foreign Application Priority Data**

Nov. 25, 2011 (EM) 001953548-0001

(51) **LOC (9) Cl.** **06-01**

(52) **U.S. Cl.** **D6/335**

(58) **Field of Classification Search** D6/335,
D6/336, 337, 338, 361; 291/445.1, 446.1,
291/446.2; 5/12.1, 12.2

See application file for complete search history.

(56) **References Cited**

U.S. PATENT DOCUMENTS

5,373,591	A *	12/1994	Myers	4/560.1
D360,172	S *	7/1995	Francke	D12/128
5,517,704	A *	5/1996	Dagostino	4/560.1
D395,852	S *	7/1998	Ditommaso	D12/128
D439,869	S *	4/2001	Kjell et al.	D12/128
6,256,806	B1 *	7/2001	DiTommaso	4/560.1
6,279,178	B1 *	8/2001	Hill	4/578.1
6,334,225	B1 *	1/2002	Brinkmann	4/560.1
D507,045	S *	7/2005	Battiston	D23/304

7,448,097	B2 *	11/2008	Cancian	4/604
7,451,501	B2 *	11/2008	Cheng	4/578.1
7,506,385	B2 *	3/2009	Werschmidt	4/561.1
D598,816	S *	8/2009	Ahlbertz	D12/131
D606,909	S *	12/2009	Ahlbertz	D12/131
D611,715	S *	3/2010	Werschmidt	D6/335
2006/0236449	A1 *	10/2006	Hammer et al.	4/560.1
2007/0083990	A1 *	4/2007	Werschmidt	4/560.1

* cited by examiner

Primary Examiner — Sandra Snapp

(74) *Attorney, Agent, or Firm* — Egbert Law Offices, PLLC

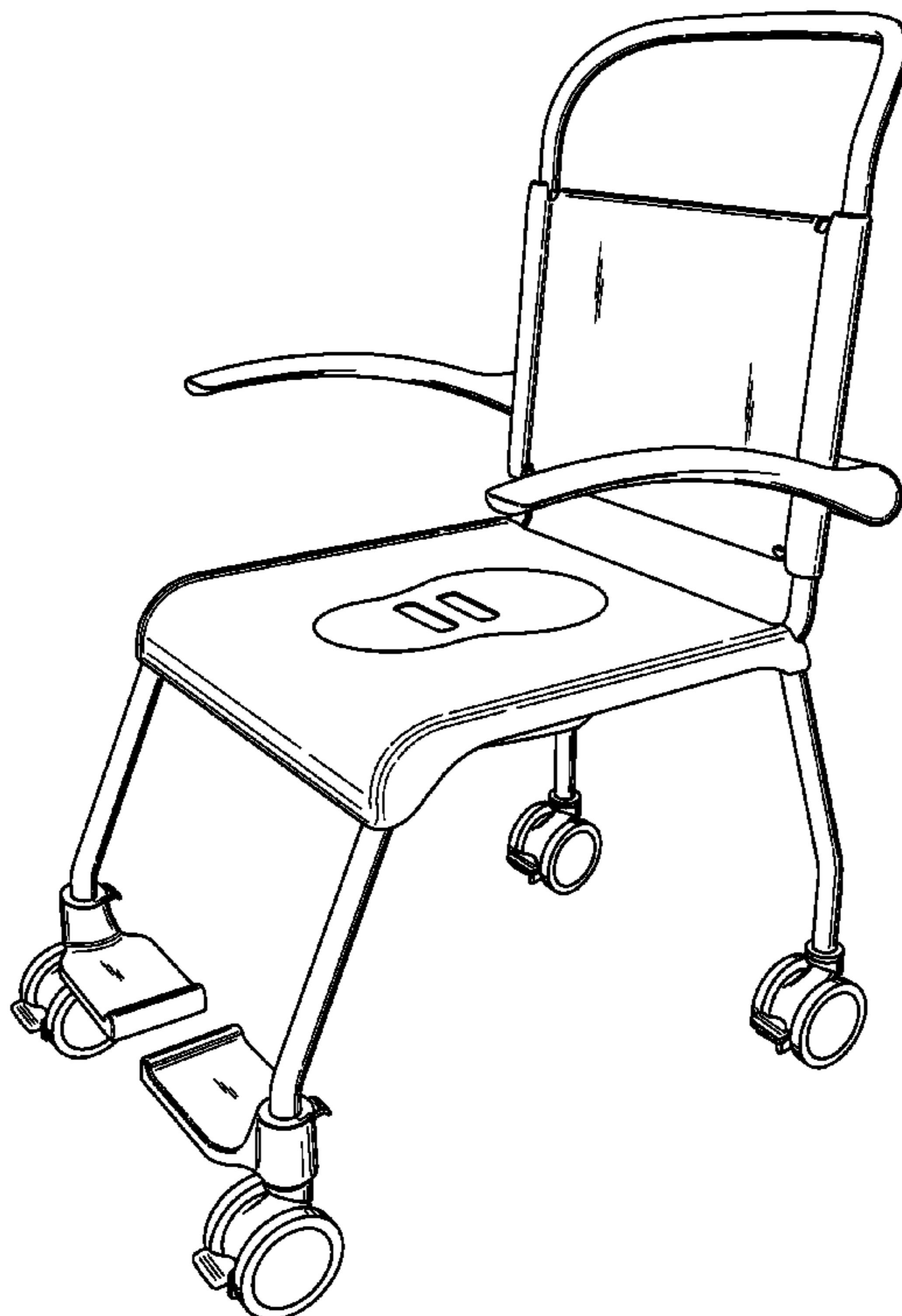
(57) **CLAIM**

The ornamental design for a commode chair, as shown and described.

DESCRIPTION

FIG. 1 is a front and side perspective view of the commode chair, wherein the lid is closed, showing my design;
 FIG. 2 is a front and side perspective view thereof, wherein the lid is open;
 FIG. 3 is a side view thereof, an opposite side view being a mirror image thereof;
 FIG. 4 is a front view thereof;
 FIG. 5 is a rear perspective view thereof, wherein the lid is open;
 FIG. 6 is a bottom perspective view thereof;
 FIG. 7 is a front, exploded view thereof, showing the various components of the commode chair;
 FIG. 8 is a top plan view thereof; and,
 FIG. 9 is a bottom plan view thereof.

1 Claim, 9 Drawing Sheets



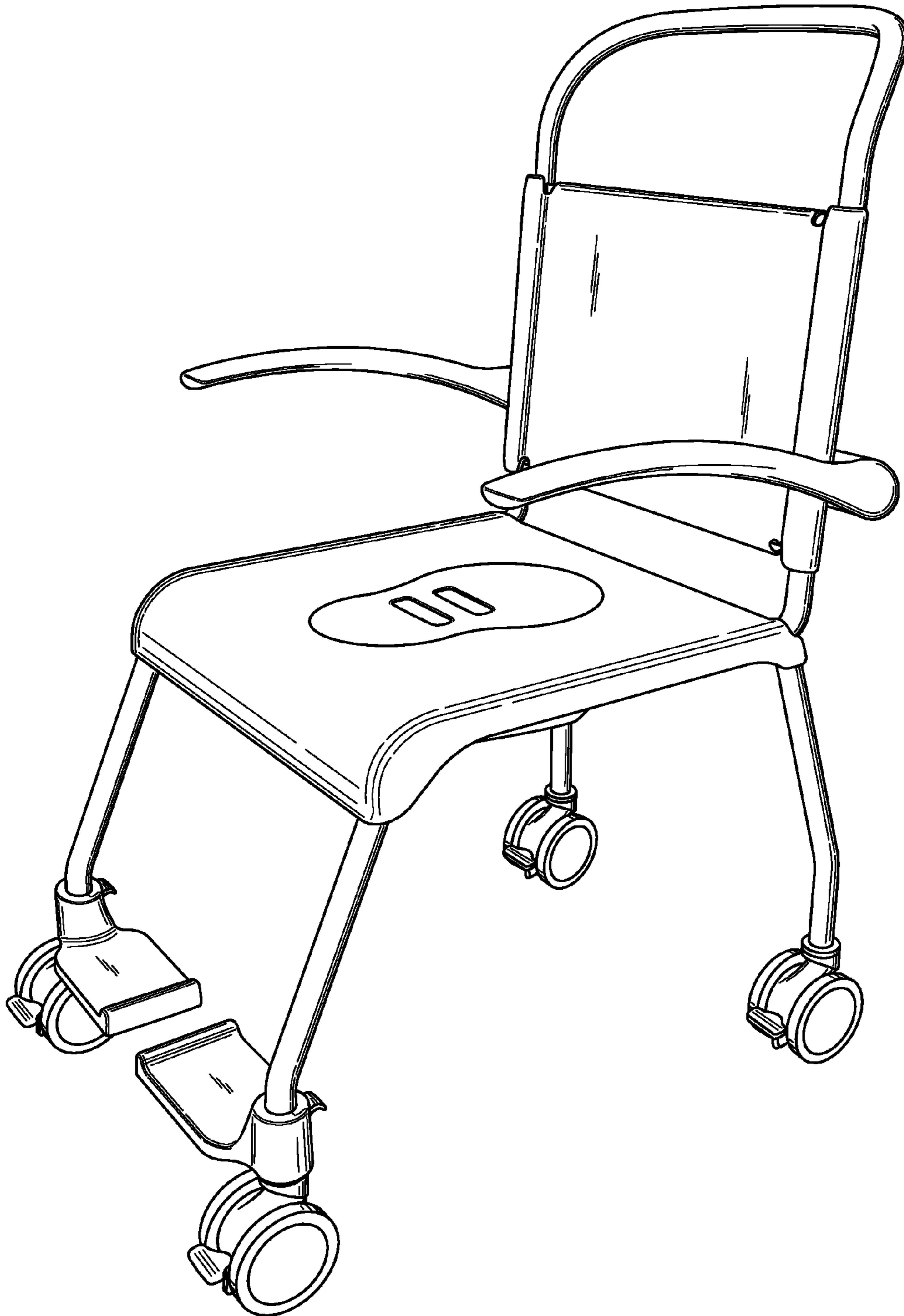


Fig. 1

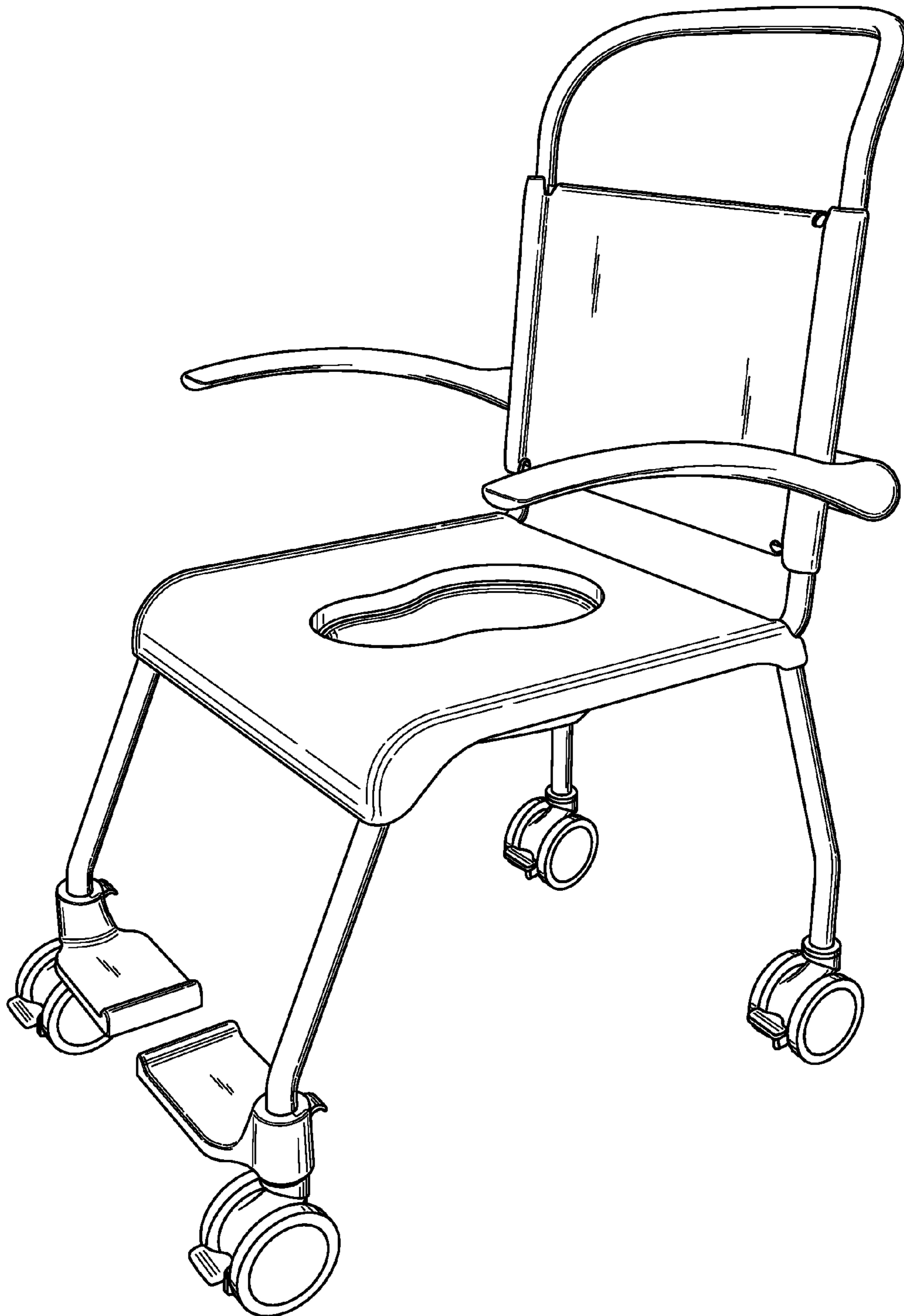


Fig. 2

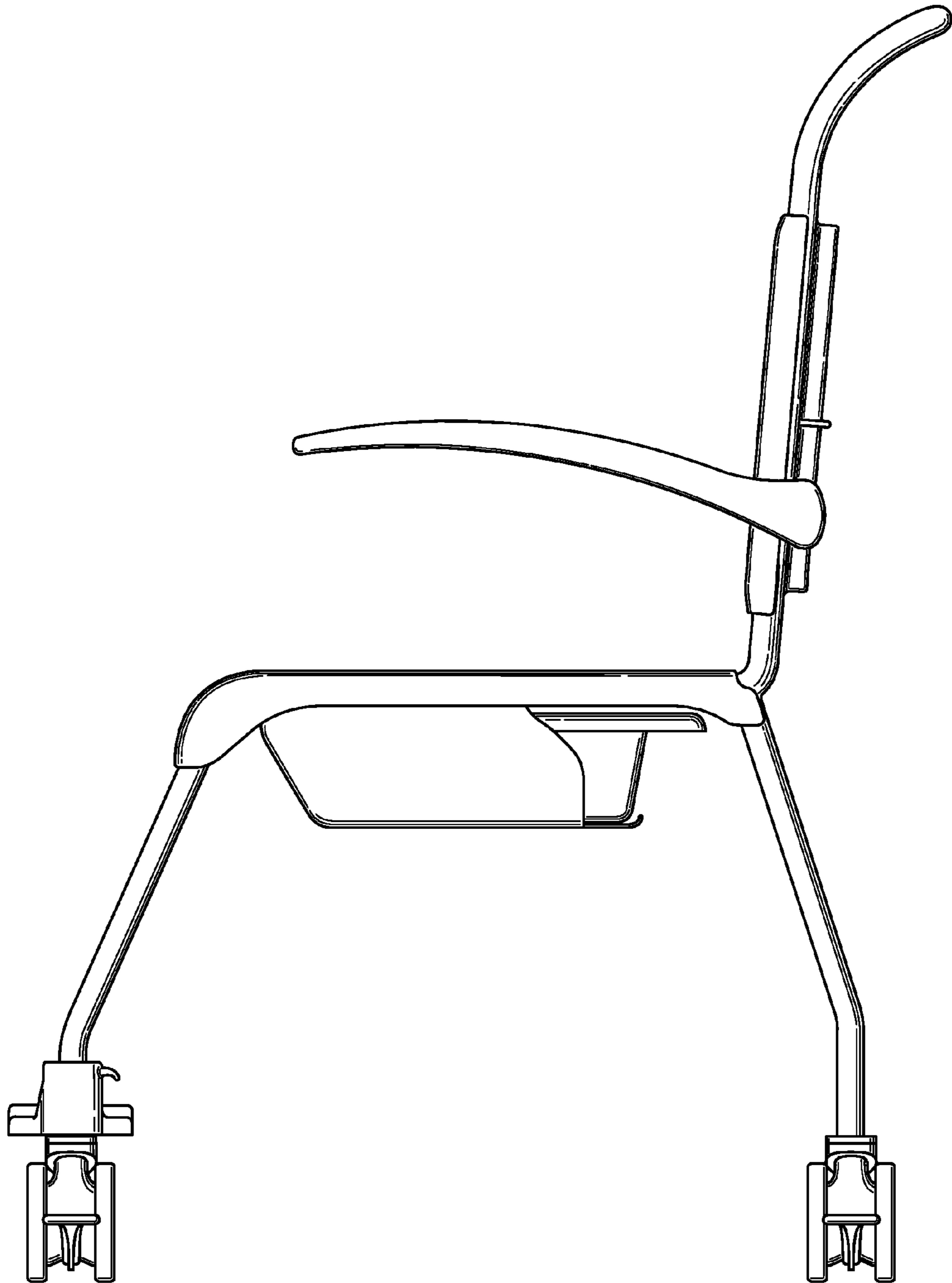


Fig. 3

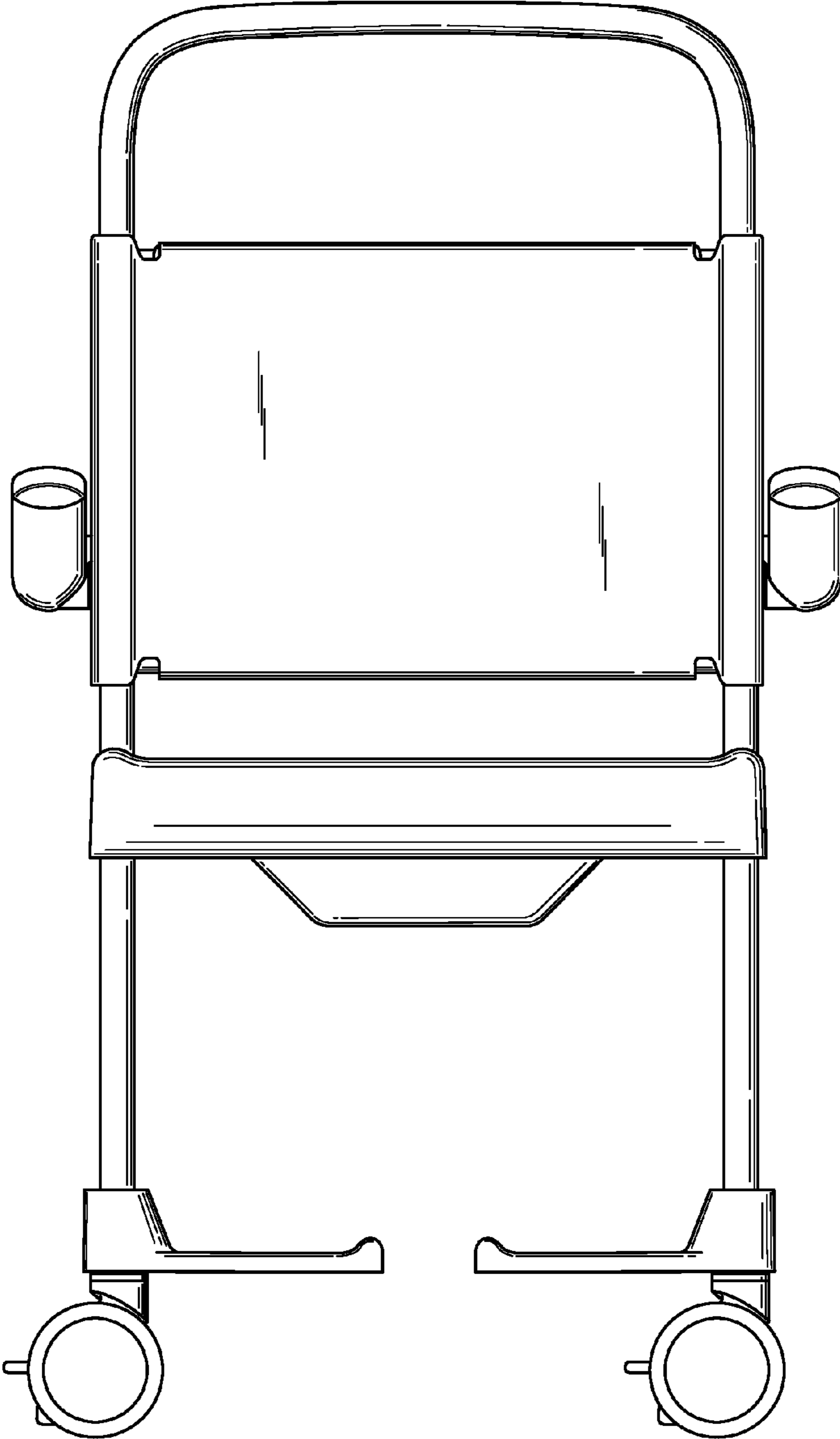


Fig. 4

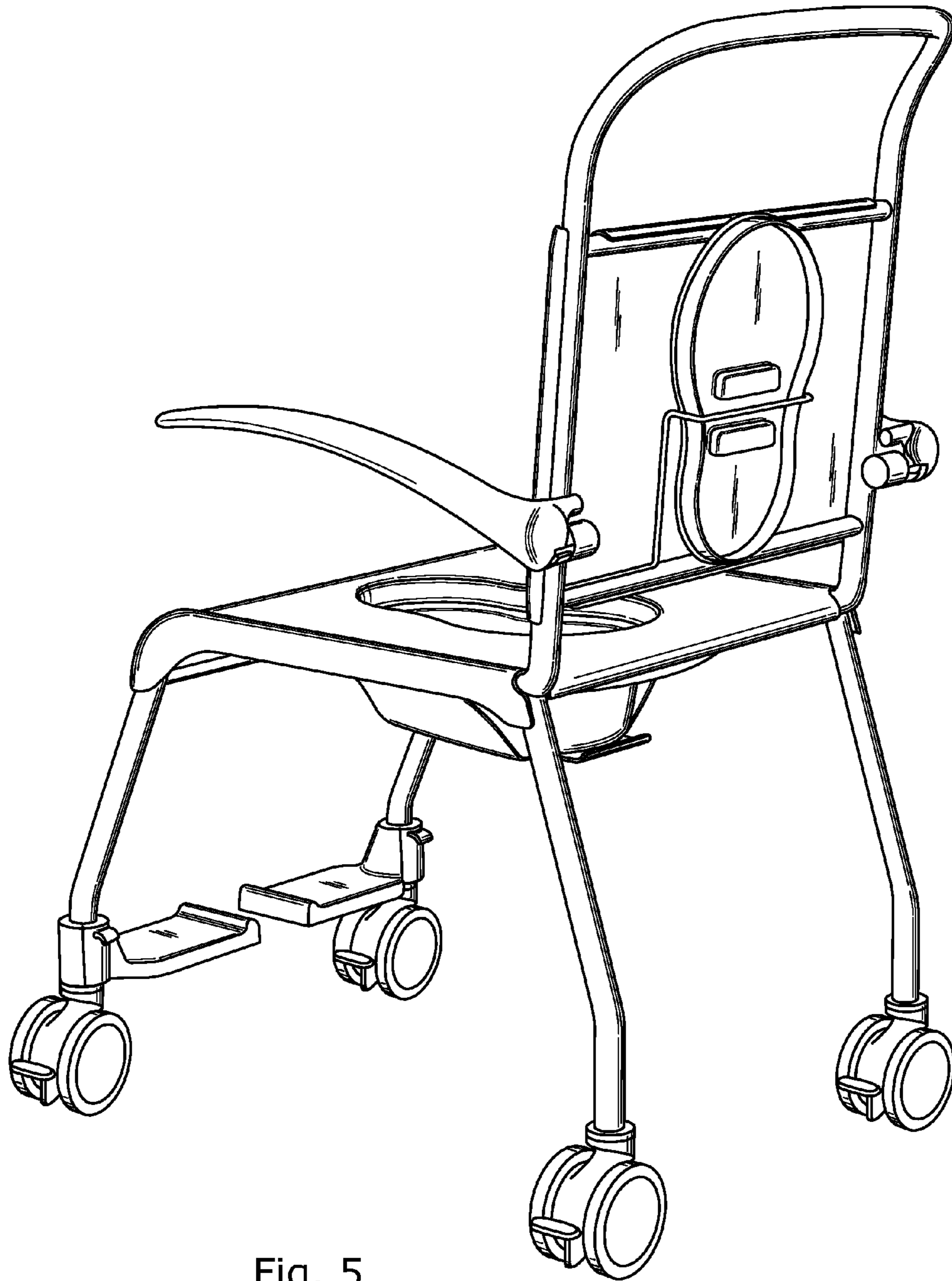


Fig. 5

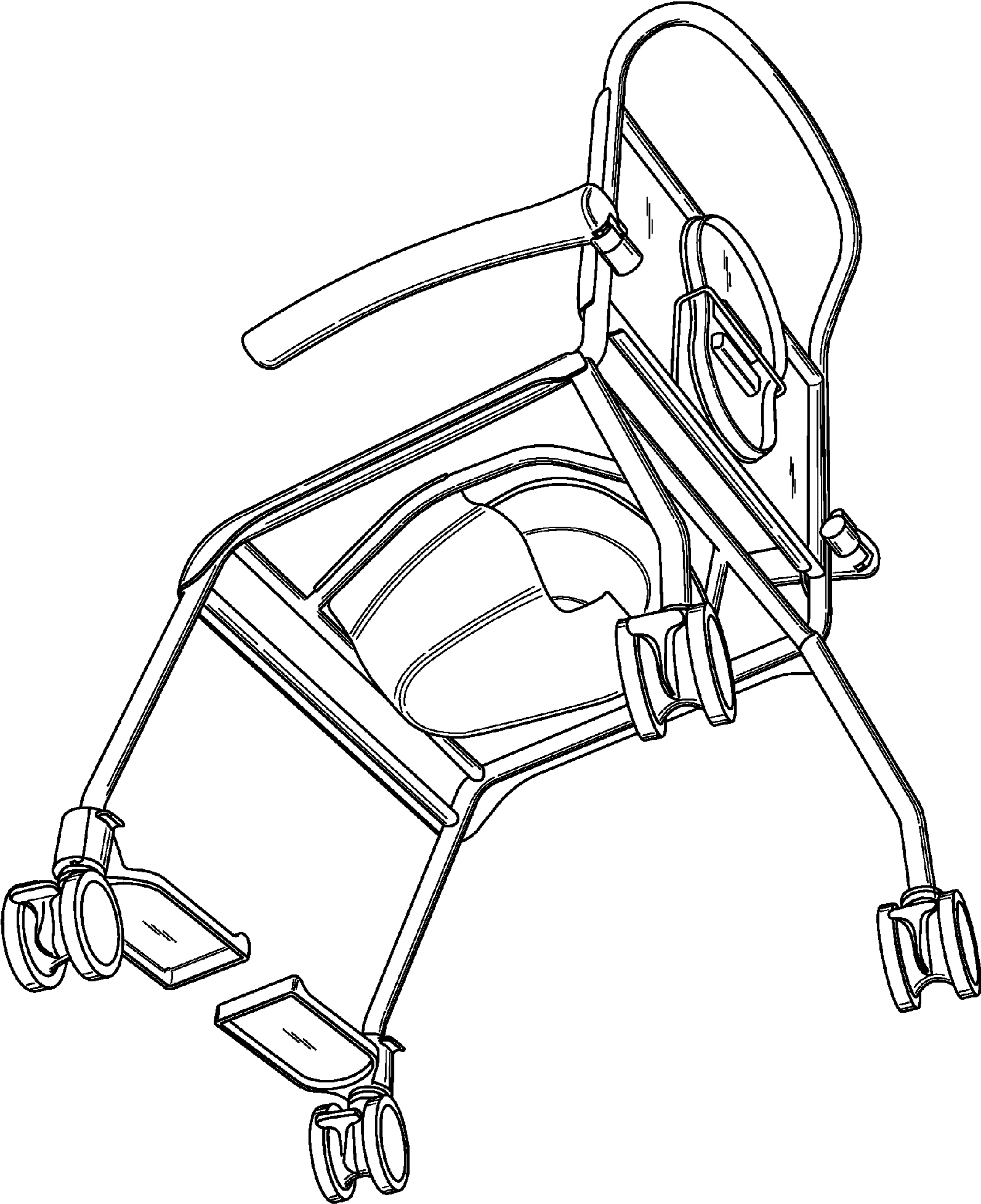


Fig. 6

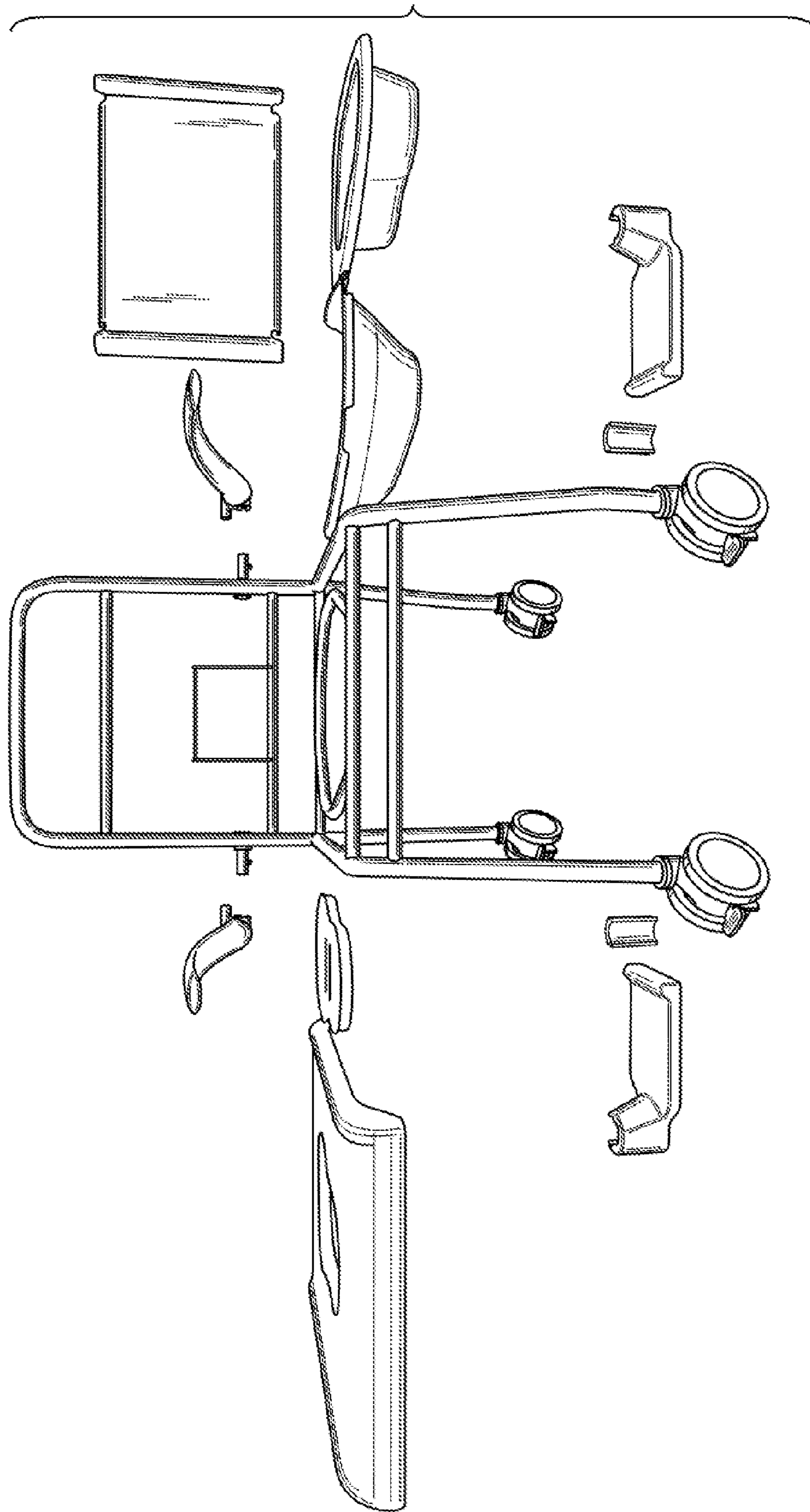


Fig. 7

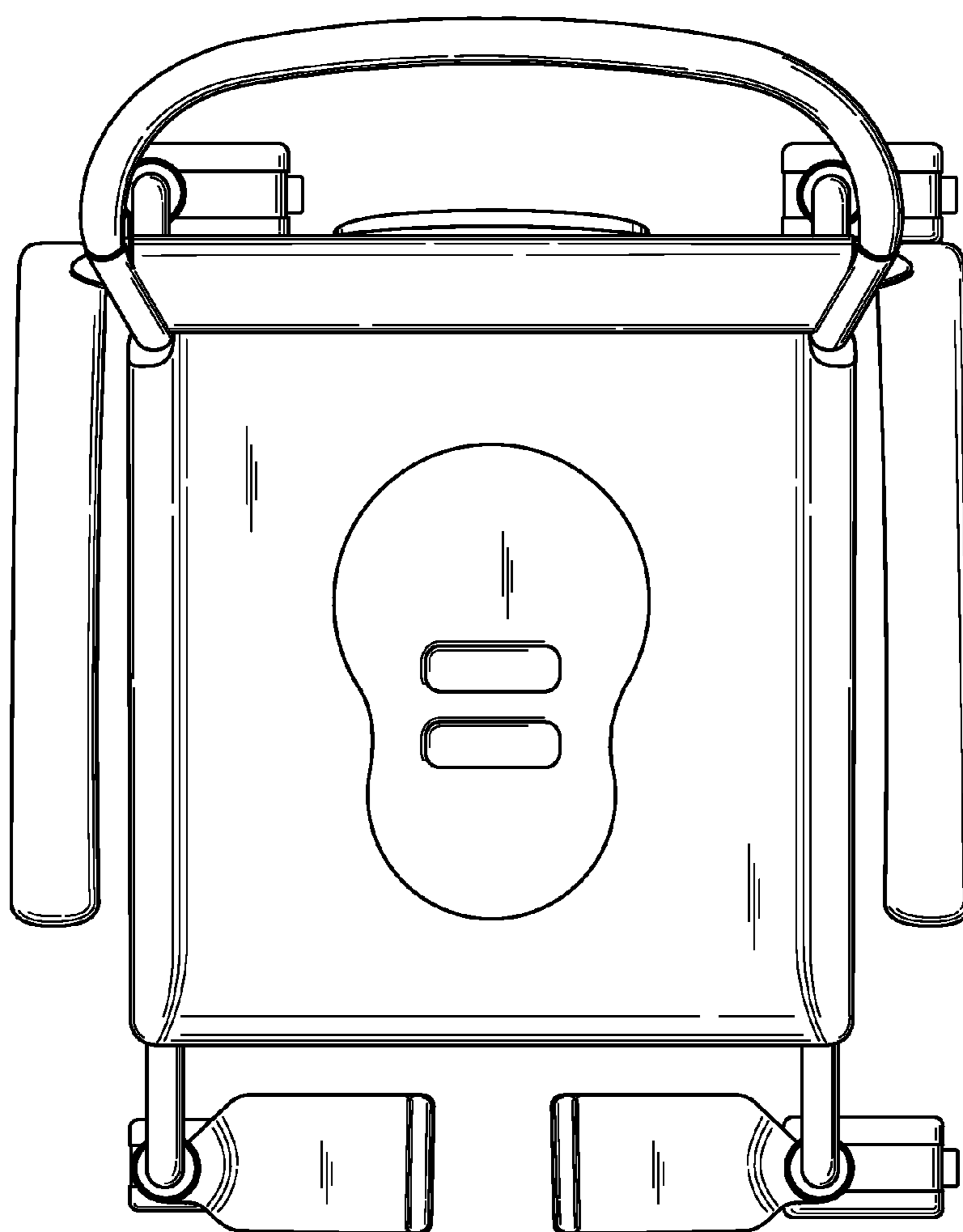


Fig. 8

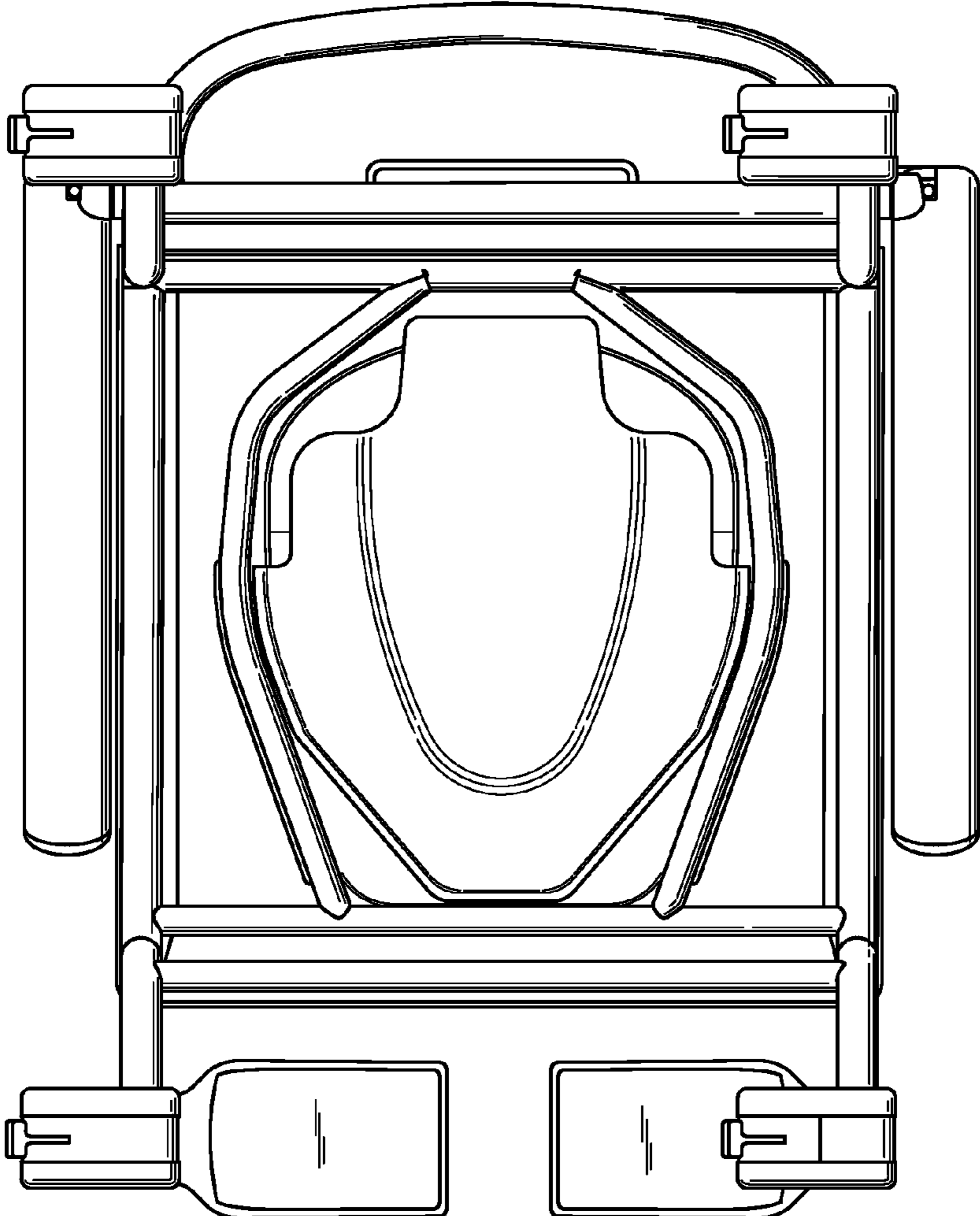


Fig. 9