



US00D679507S

(12) **United States Design Patent**
Hile

(10) **Patent No.:** **US D679,507 S**

(45) **Date of Patent:** **** Apr. 9, 2013**

(54) **PAINT BRUSH AND HANDLE**

(76) Inventor: **Renee Hile**, Piscataway, NJ (US)

(**) Term: **14 Years**

(21) Appl. No.: **29/385,349**

(22) Filed: **Feb. 11, 2011**

(51) **LOC (9) Cl.** **04-02**

(52) **U.S. Cl.** **D4/135**

(58) **Field of Classification Search** D4/100,
D4/102, 114, 135, 116, 121, 127; 15/21.1,
15/22.1, 23, 24, 28, 29, 191.1, 192, 193,
15/194, 166, 168, 171, 175, 176.1; 132/218,
132/217; D28/7, 57

See application file for complete search history.

(56) **References Cited**

U.S. PATENT DOCUMENTS

D30,616 S *	4/1899	Bentzinger	D4/135
D158,176 S *	4/1950	Chesney	D4/121
D161,641 S *	1/1951	Newman	D4/121
D307,830 S *	5/1990	Murphy	D4/114
D311,455 S *	10/1990	Snipes	D4/132
D408,636 S *	4/1999	Gadling	D4/135
D448,934 S *	10/2001	Barnette et al.	D4/121
D474,970 S *	5/2003	Love	D9/451
D550,965 S *	9/2007	Kaposi	D4/114
D594,233 S *	6/2009	Cook	D4/114
D628,390 S *	12/2010	Banks	D4/116
D632,083 S *	2/2011	Vilain et al.	D4/100
D658,389 S *	5/2012	Salgatar	D4/135

* cited by examiner

Primary Examiner — Austin Murphy

(74) *Attorney, Agent, or Firm* — McNeely, Hare & War, LLP; William D. Hare, Esq.; Simana B. Rao, Esq.

(57) **CLAIM**

The ornamental design for a paint brush and handle, as shown and described.

DESCRIPTION

FIG. 1 is a top view of a first embodiment of the instant invention with the bottom view being a mirror image thereof; FIG. 2 is a left side view of a first embodiment the instant invention with the right side view being a mirror image thereof; and,

FIG. 3 is a perspective view of a first embodiment of the instant invention.

FIG. 4 is a top view of a second embodiment of the instant invention with the bottom view being a mirror image thereof; FIG. 5 is a left side view of a second embodiment the instant invention with the right side view being a mirror image thereof; and,

FIG. 6 is a perspective view of a second embodiment of the instant invention.

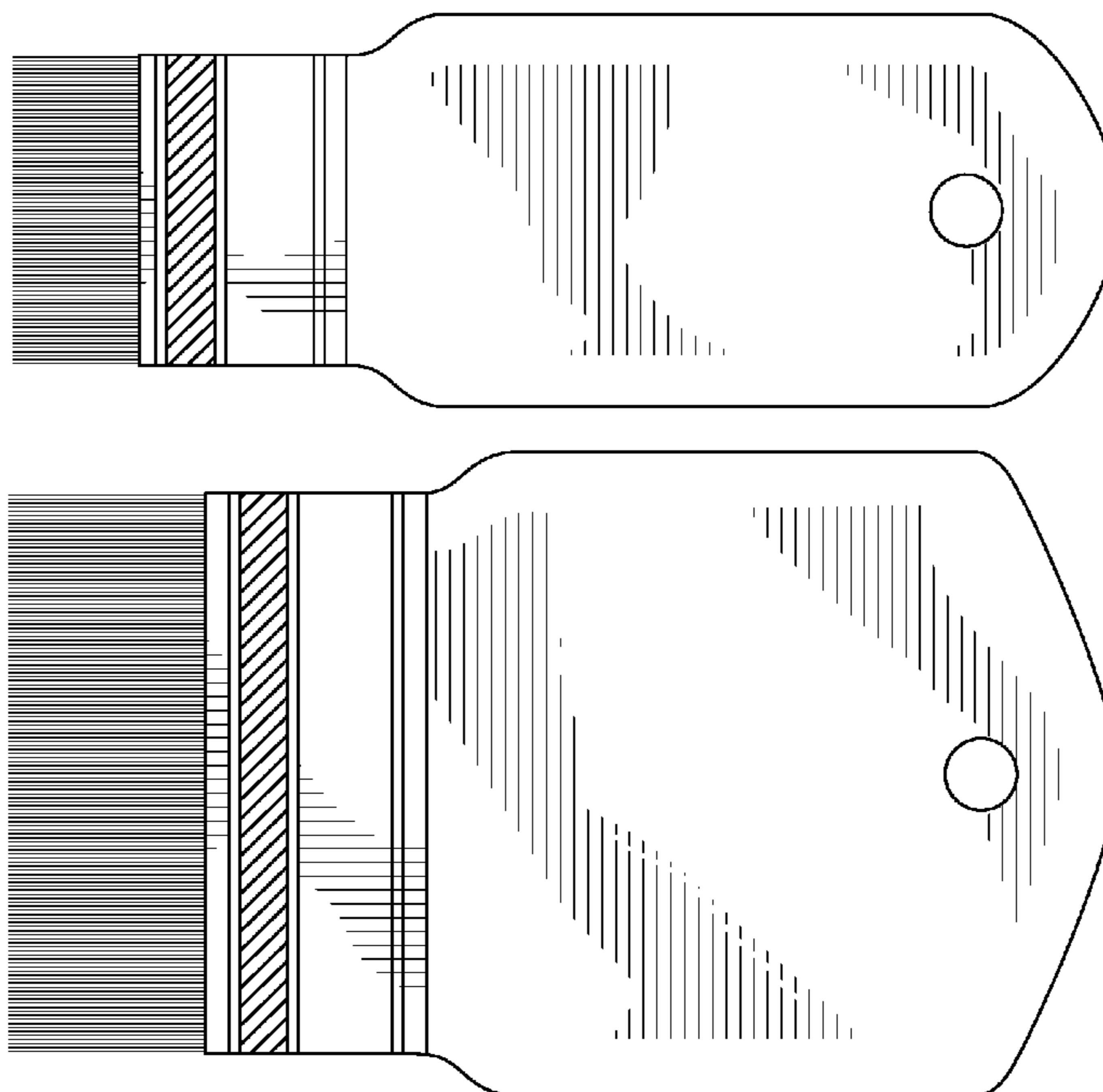
FIG. 7 is a top view of a third embodiment of the instant invention with the bottom view being a mirror image thereof; FIG. 8 is a left side view of a third embodiment the instant invention with the right side view being a mirror image thereof; and,

FIG. 9 is a perspective view of a third embodiment of the instant invention.

FIG. 10 is a top view of a fourth embodiment of the instant invention with the bottom view being a mirror image thereof; FIG. 11 is a left side view of a fourth embodiment the instant invention with the right side view being a mirror image thereof; and,

FIG. 12 is a perspective view of a fourth embodiment of the instant invention.

1 Claim, 7 Drawing Sheets



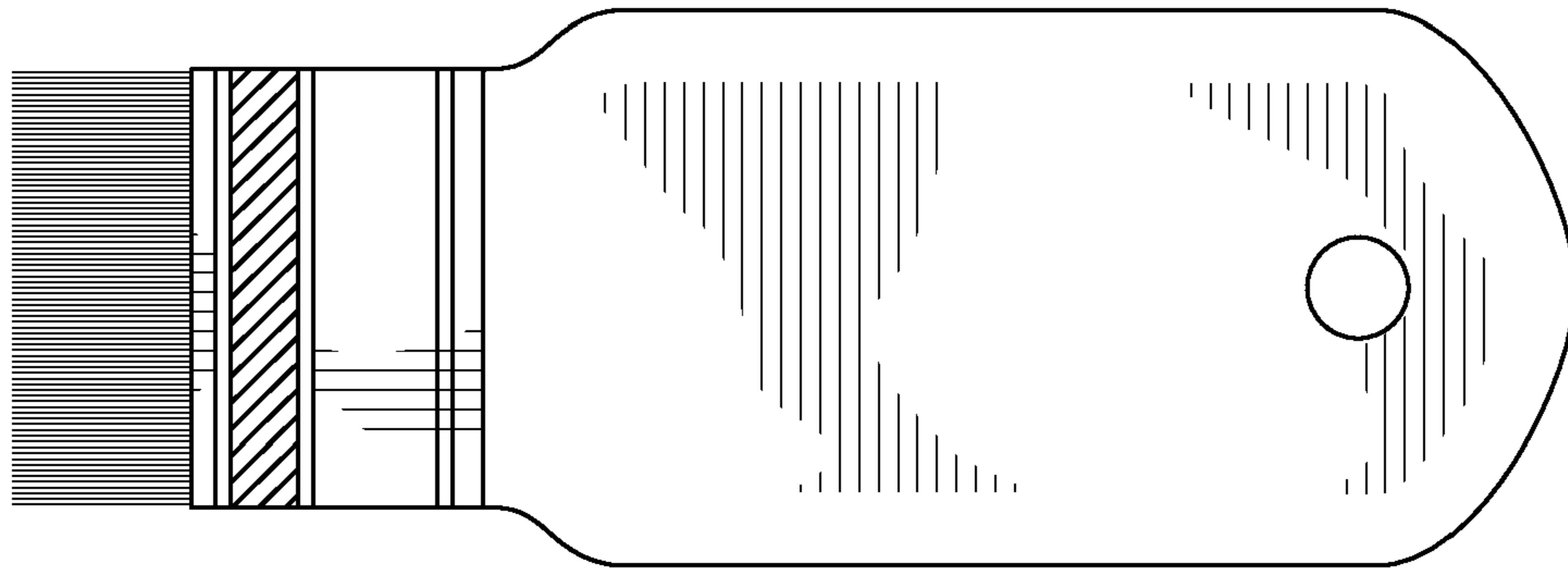


FIG. 1



FIG. 2

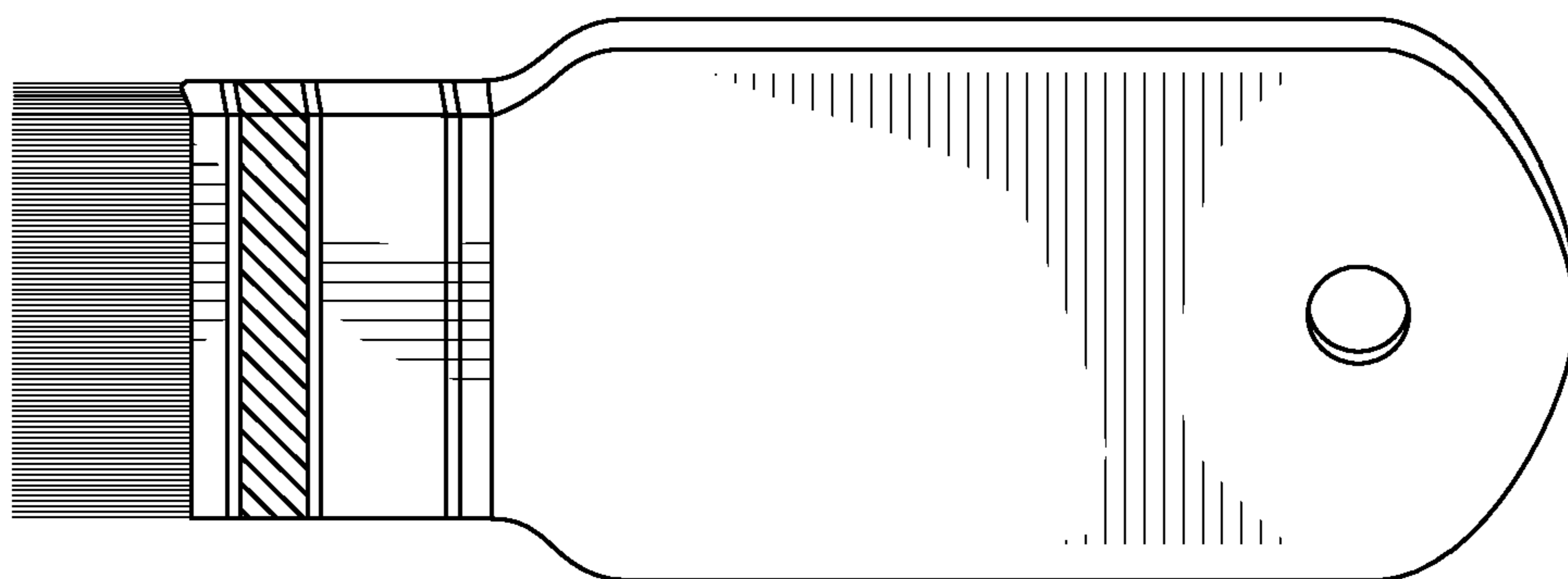


FIG. 3

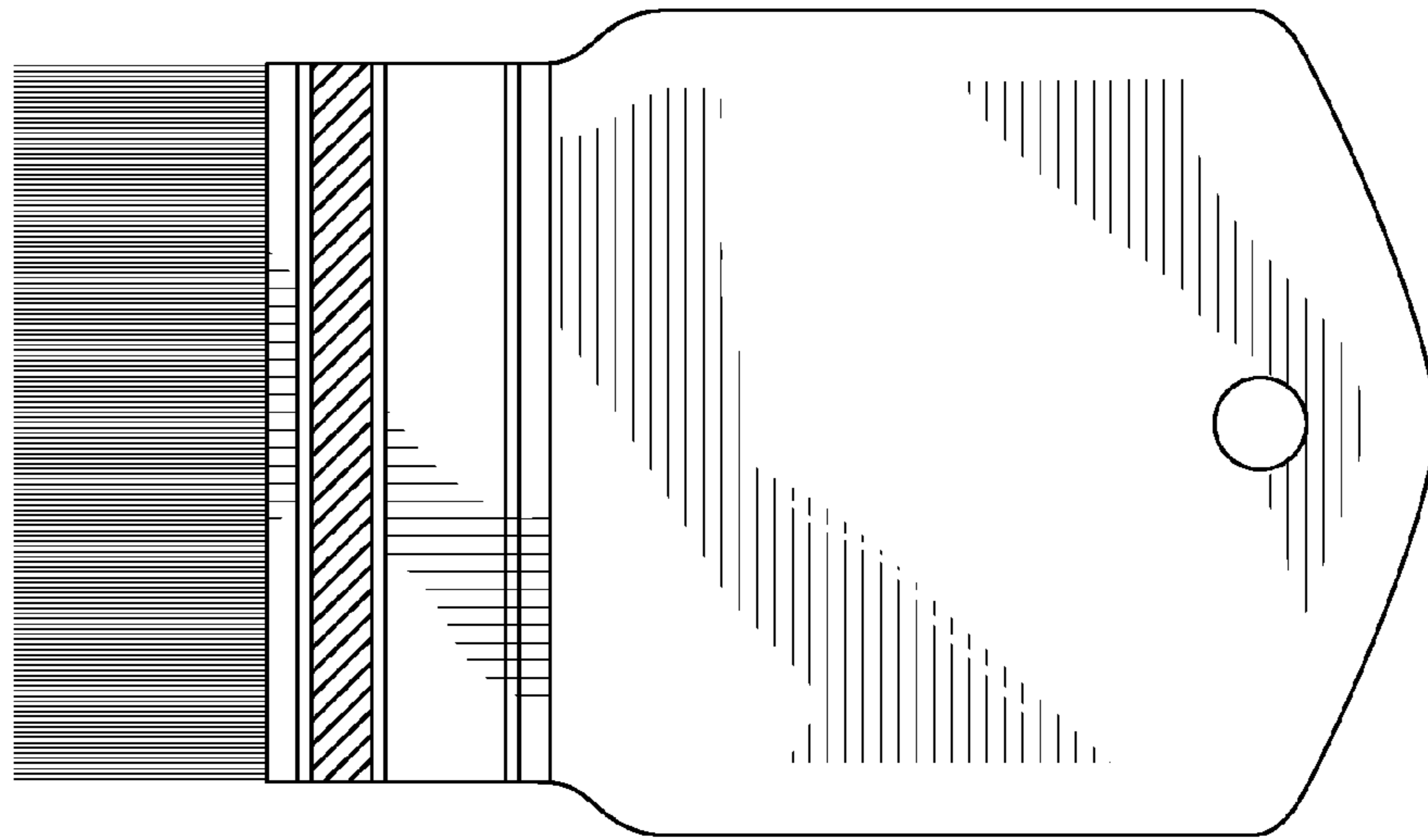


FIG. 4

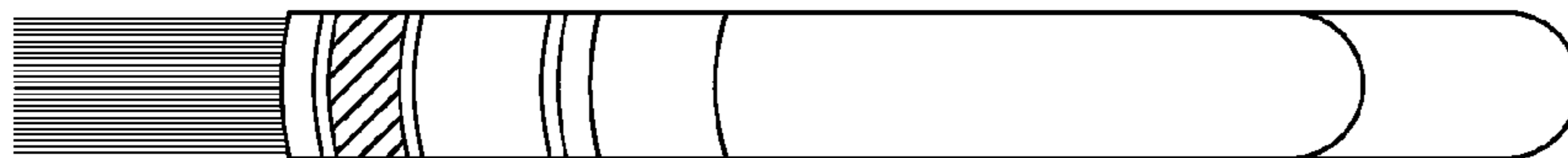


FIG. 5

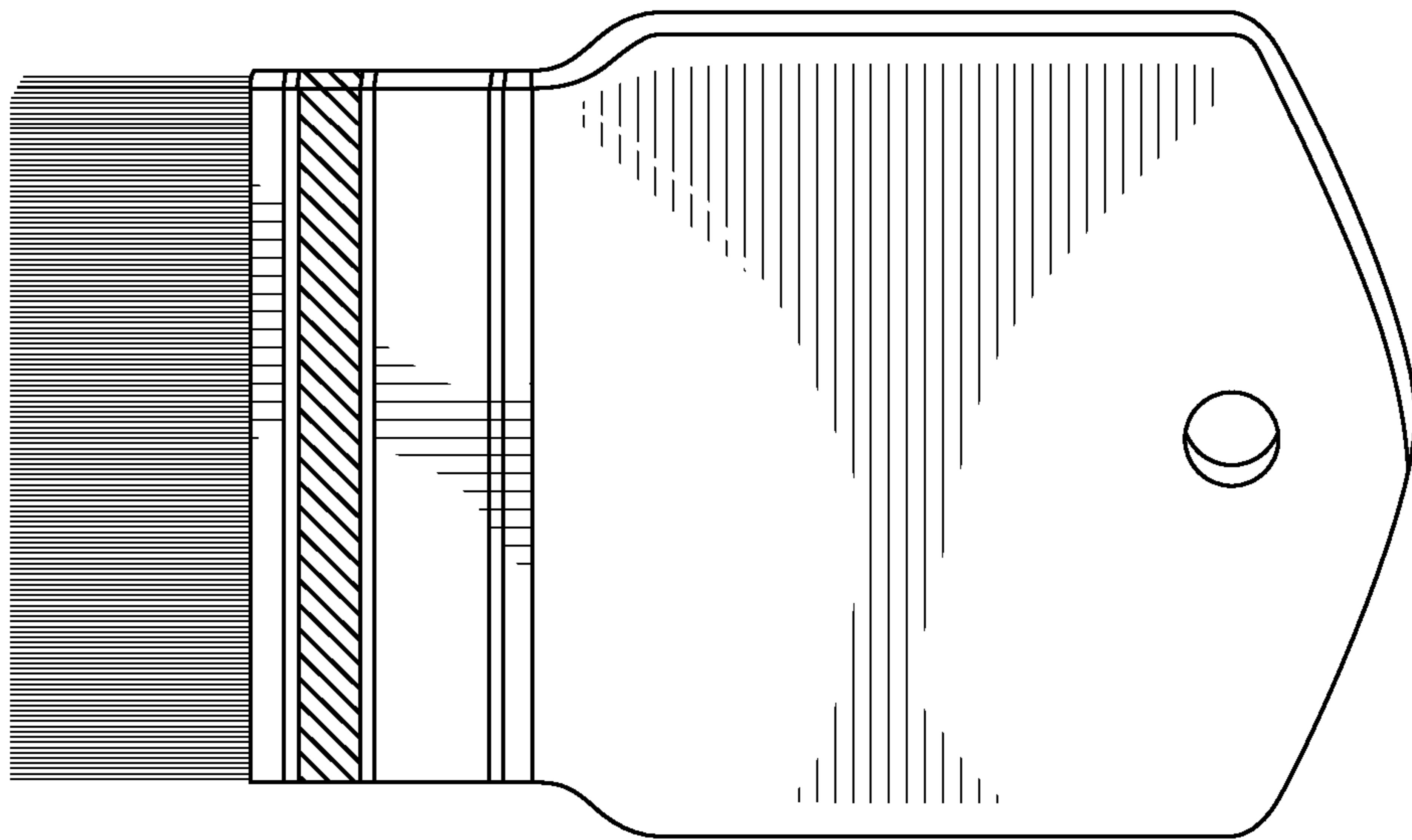


FIG. 6

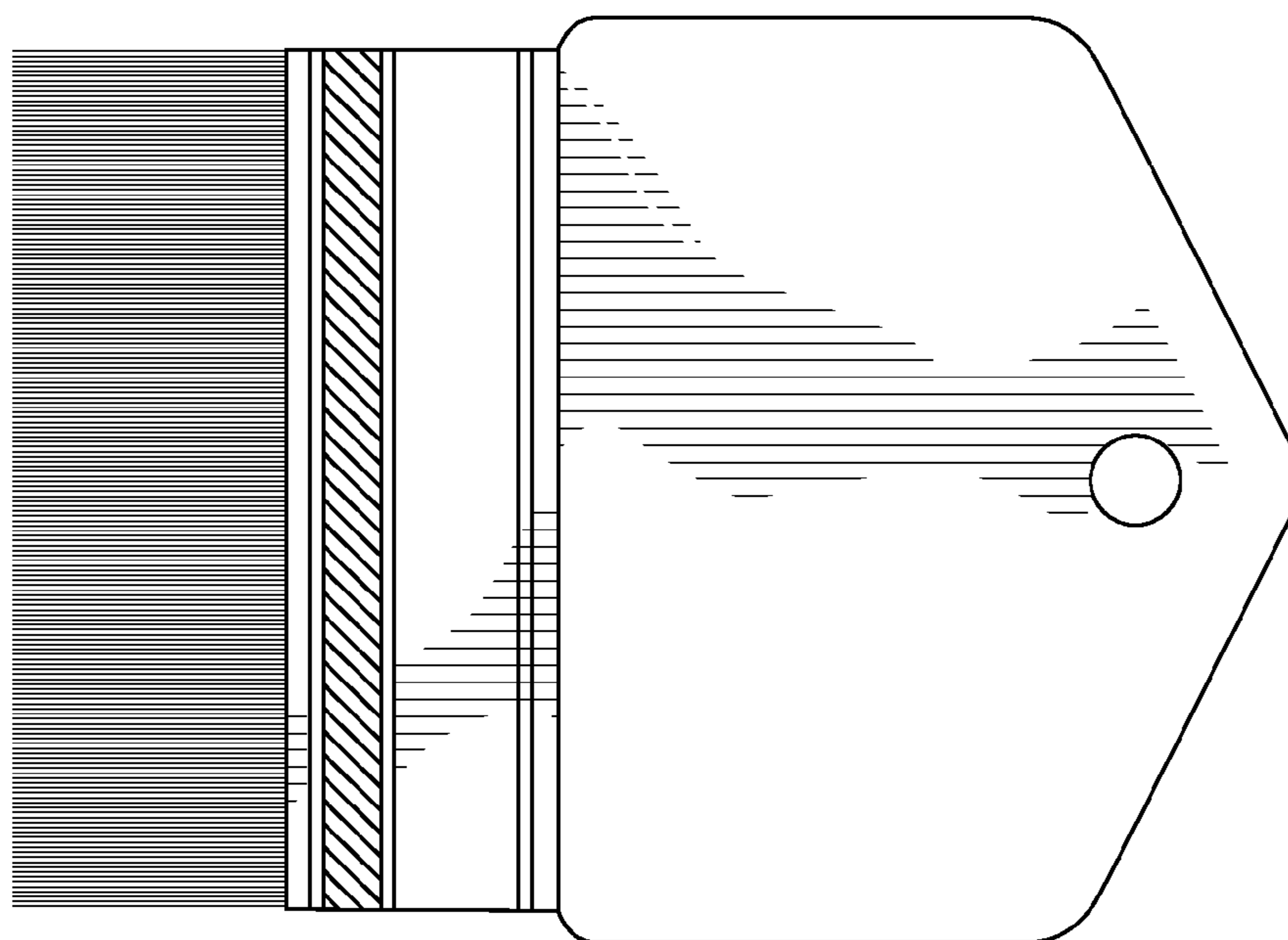


FIG. 7



FIG. 8

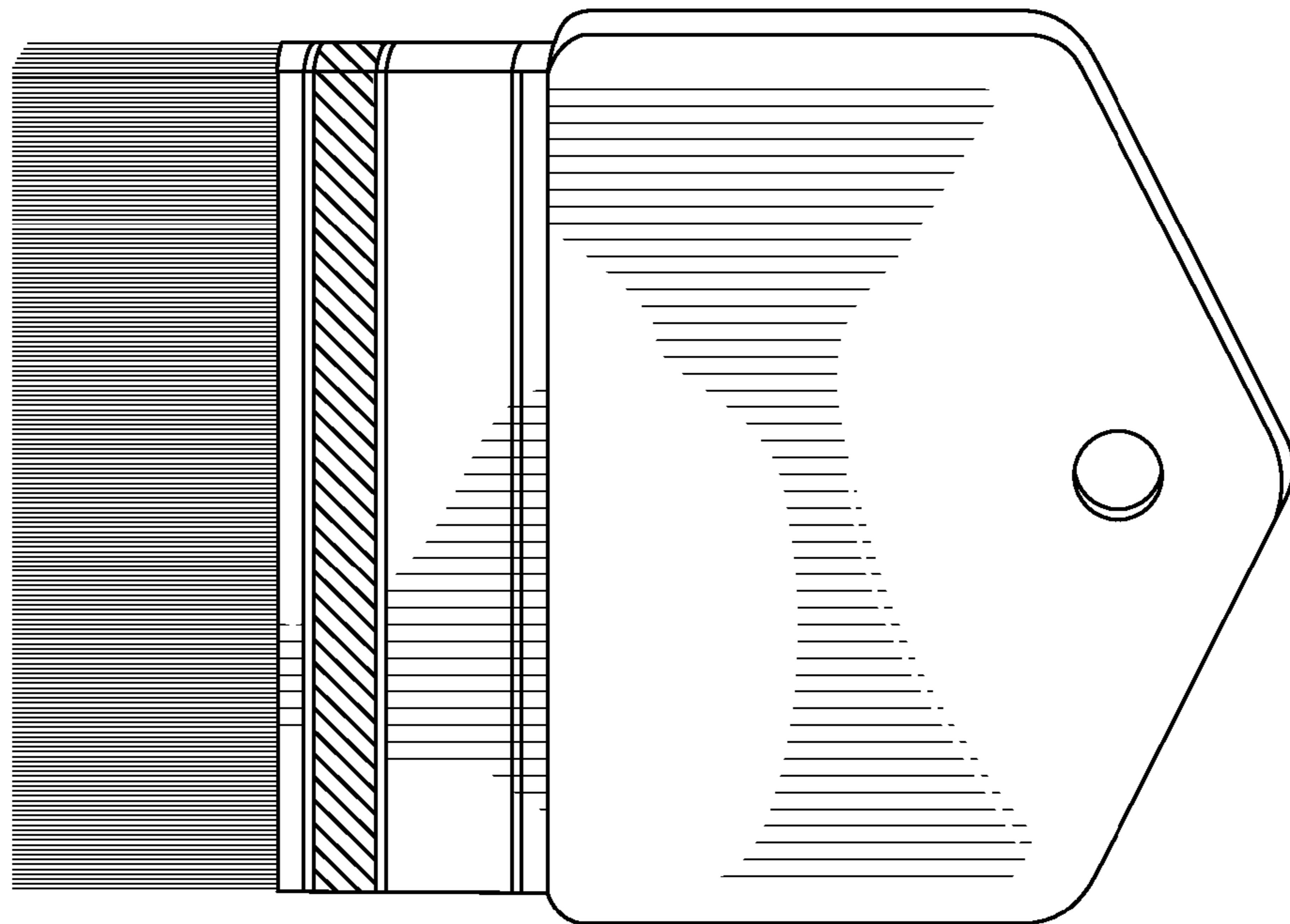


FIG. 9

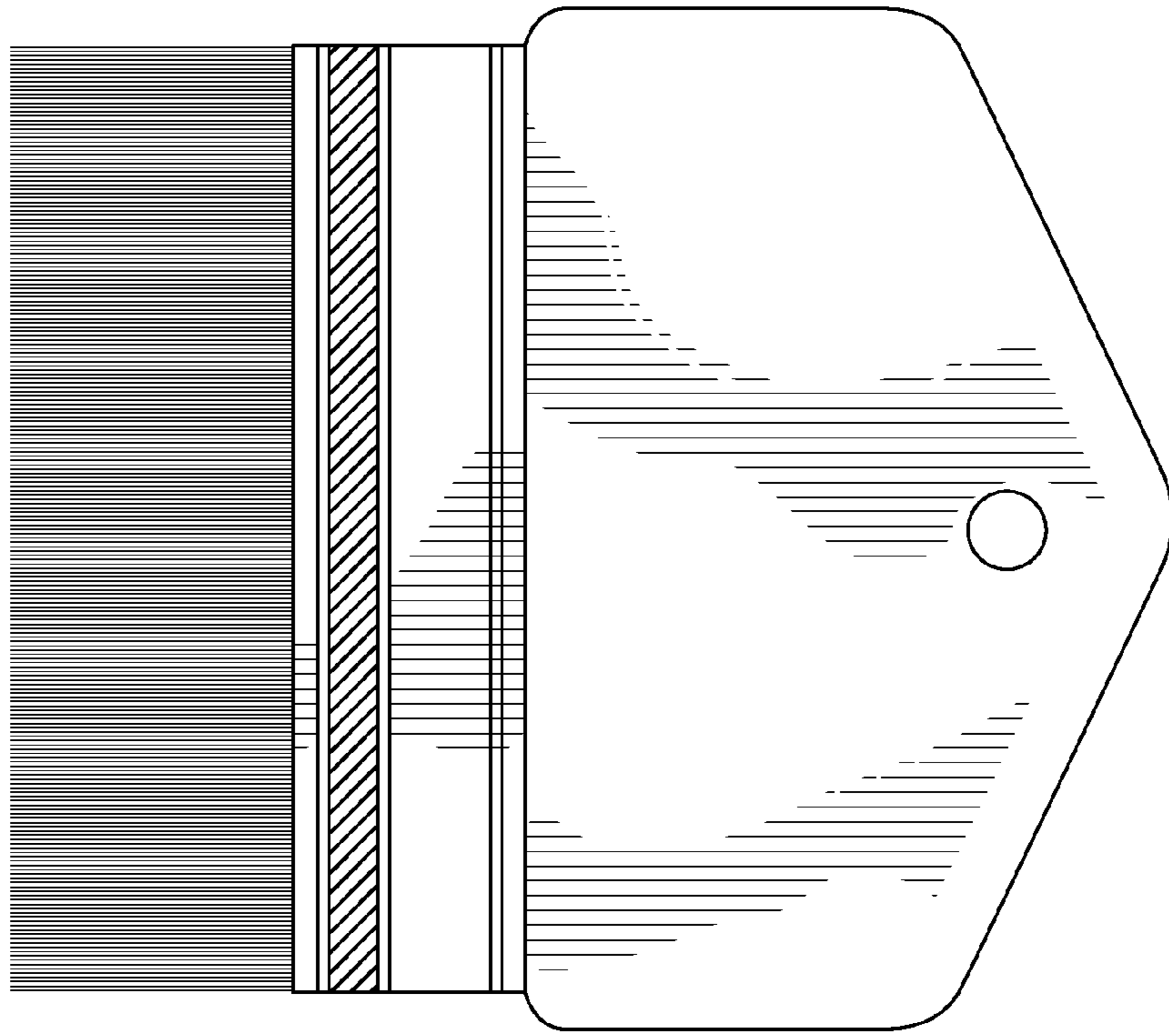


FIG. 10

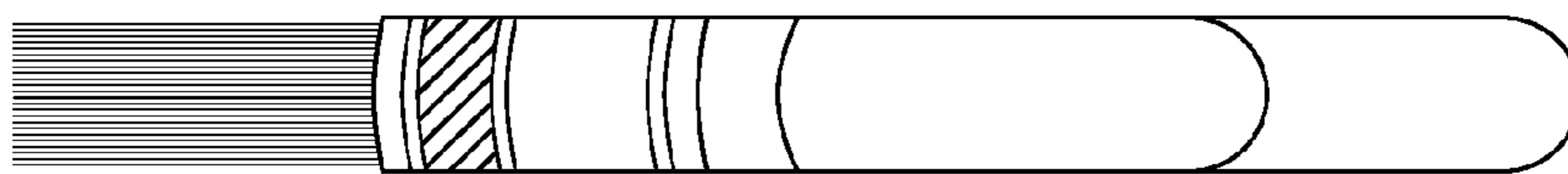


FIG. 11

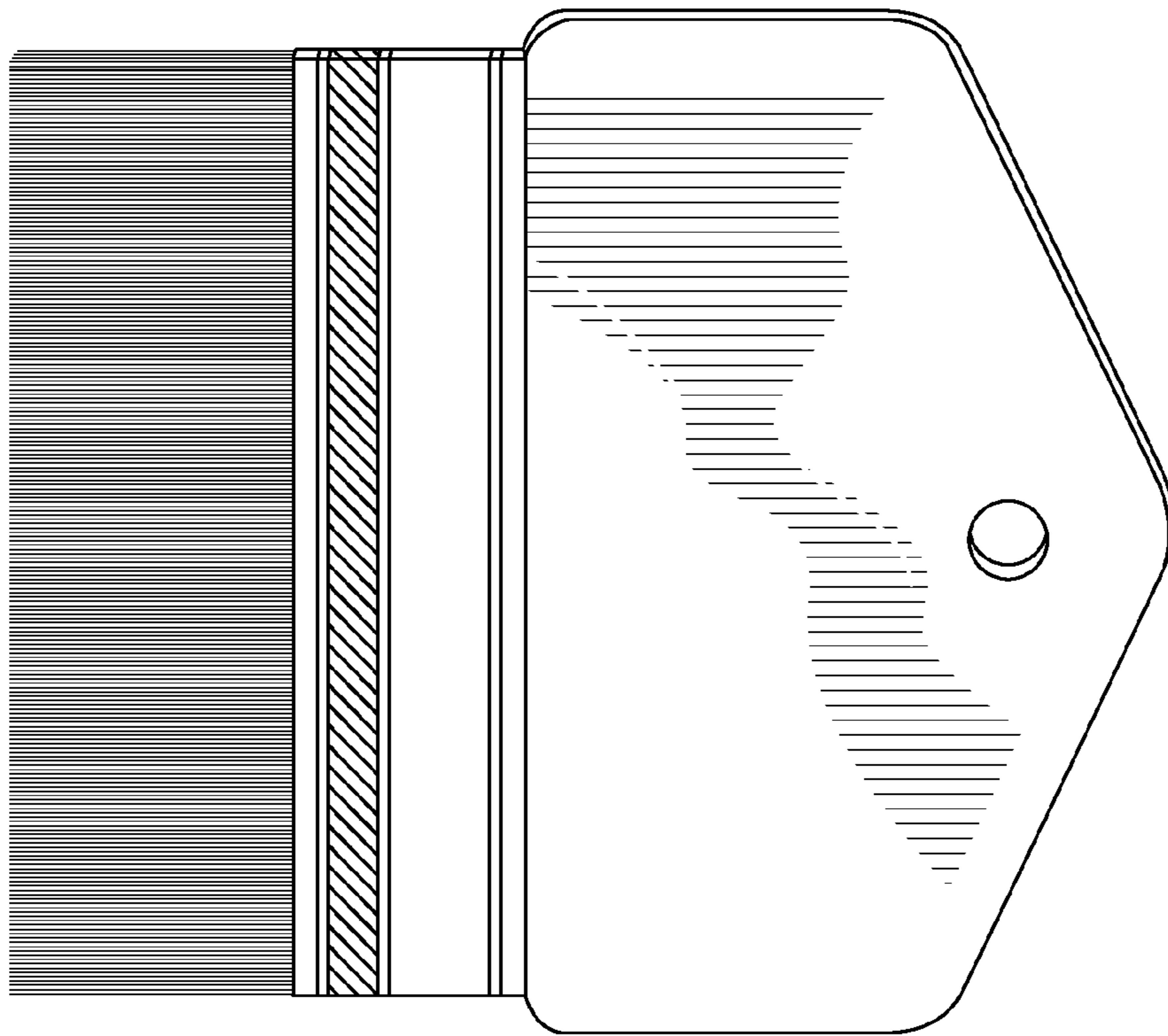


FIG. 12