



US00D679499S

(12) **United States Design Patent**
Harris

(10) **Patent No.:** **US D679,499 S**

(45) **Date of Patent:** **** Apr. 9, 2013**

(54) **LOW PROFILE STORAGE POUCH**

Primary Examiner — Holly Baynham

(74) *Attorney, Agent, or Firm* — Banner & Witcoff, Ltd.

(76) **Inventor:** **Geoffrey Herbert Harris**, Chicago, IL
(US)

(**) **Term:** **14 Years**

(57) **CLAIM**

The ornamental design for a low profile storage pouch, as shown and described.

(21) **Appl. No.:** **29/392,532**

(22) **Filed:** **May 23, 2011**

(51) **LOC (9) Cl.** **03-01**

(52) **U.S. Cl.** **D3/303**

(58) **Field of Classification Search** D3/299-300,
D3/303, 225-227; 206/576.701, 703, 320,
206/37-38, 235

See application file for complete search history.

DESCRIPTION

FIG. 1 is a perspective view of a low profile storage pouch showing my new design;

FIG. 2 is a front side elevational view thereof;

FIG. 3 is a right side view thereof;

FIG. 4 is a left side view thereof; and,

FIG. 5 is a top plan view thereof.

The broken lines represent stitching and are part of the claimed design.

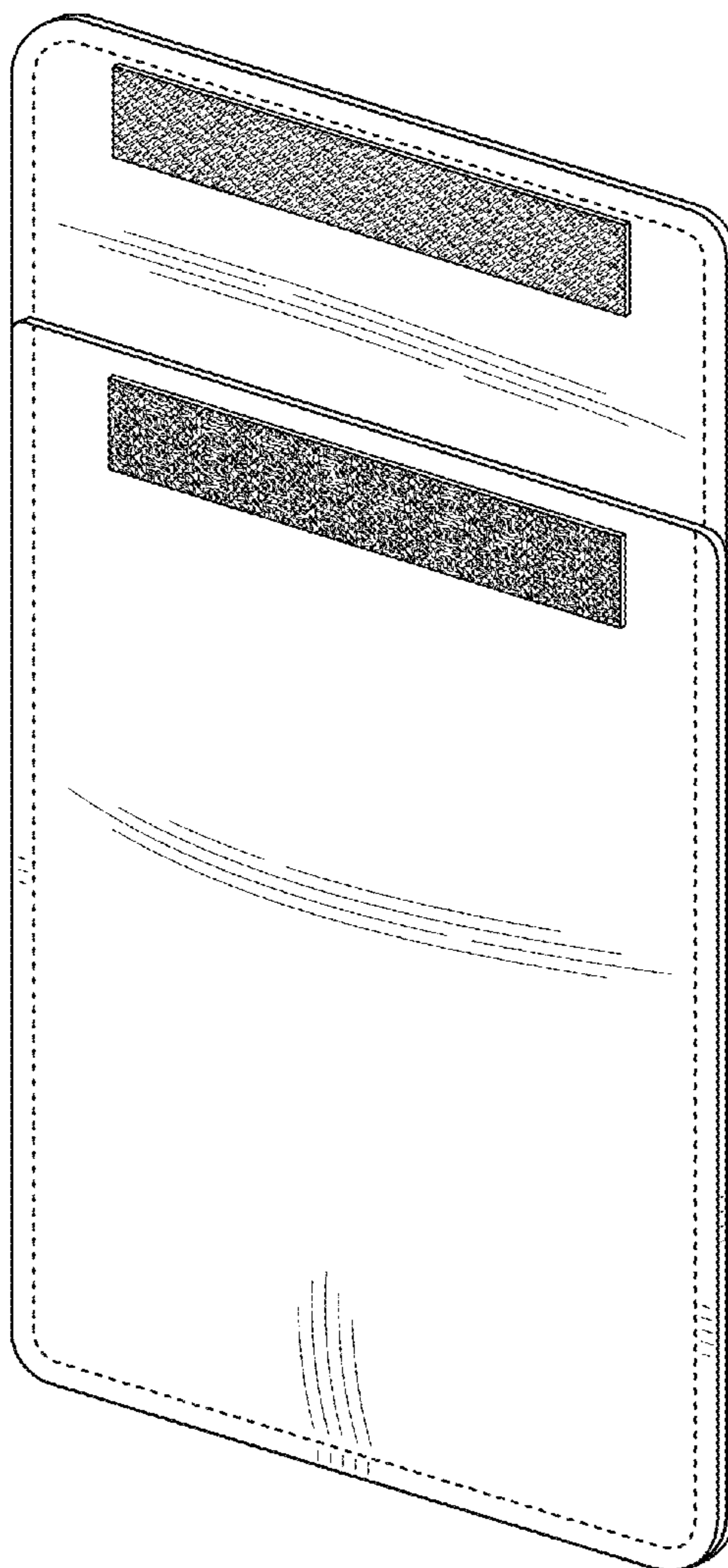
(56) **References Cited**

U.S. PATENT DOCUMENTS

2,175,327 A * 10/1939 Thornhill et al. 150/129
D619,358 S * 7/2010 Dillard D3/243

* cited by examiner

1 Claim, 3 Drawing Sheets



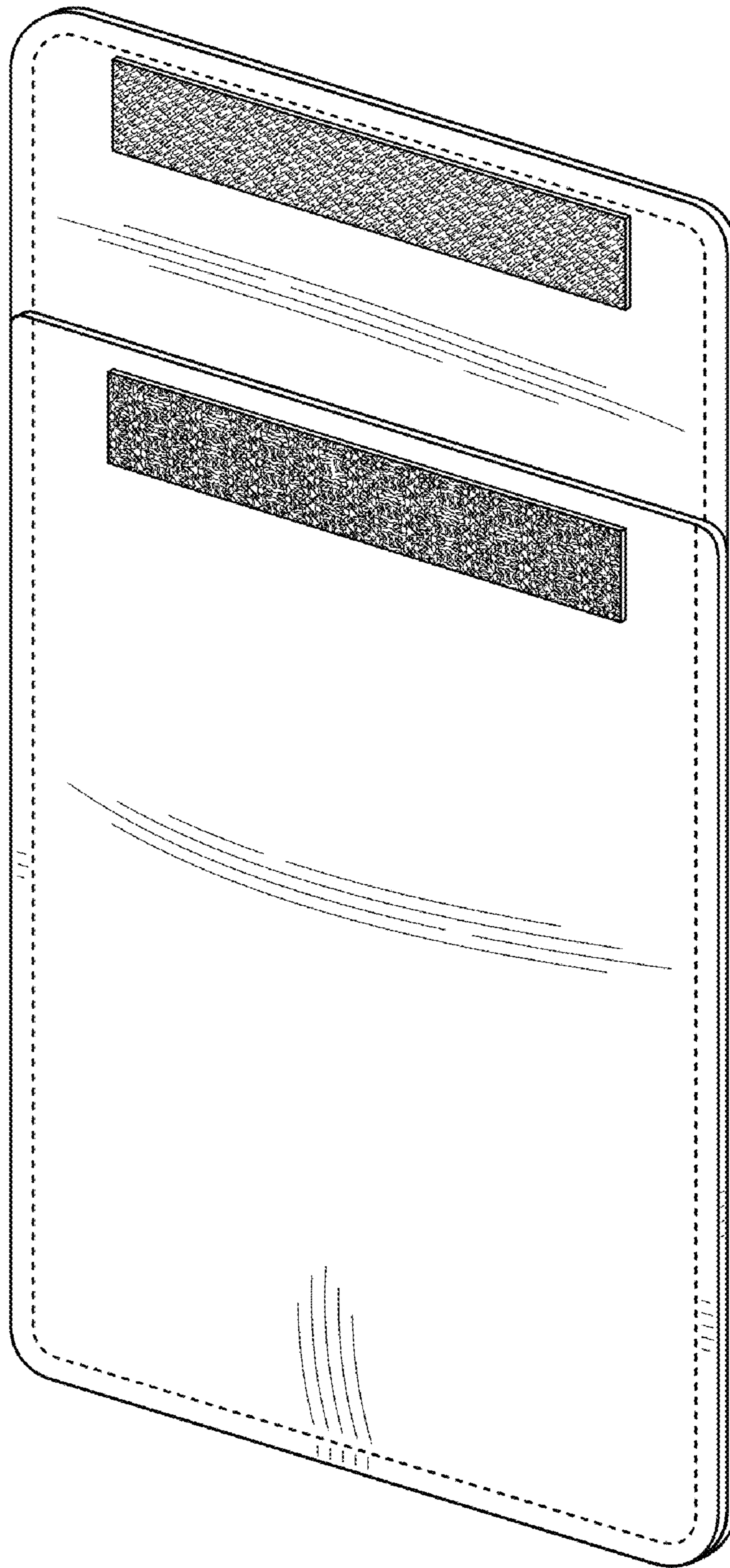


FIG. 1

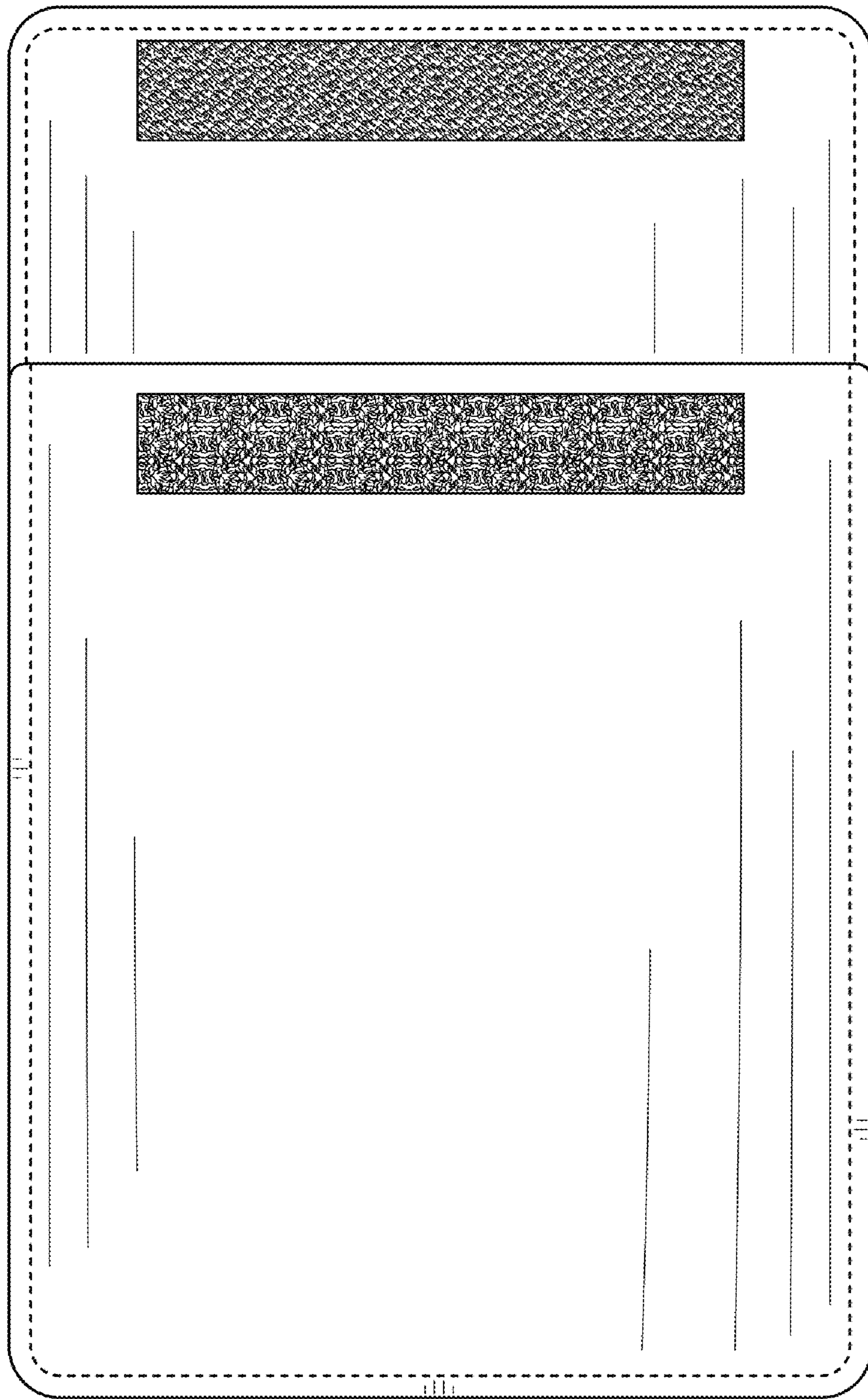


FIG. 2



FIG. 3



FIG. 4

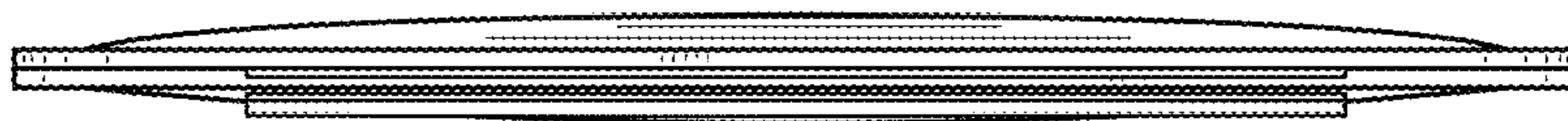


FIG. 5