



US00D679493S

(12) **United States Design Patent**
Phillips et al.

(10) **Patent No.:** **US D679,493 S**

(45) **Date of Patent:** **** *Apr. 9, 2013**

(54) **ELECTRONIC DEVICE FLAP HOLSTER**

(56) **References Cited**

(75) Inventors: **Alison Phillips**, Toronto (CA); **Caitlin Curran-Blaney**, Toronto (CA)

U.S. PATENT DOCUMENTS

(73) Assignee: **Research In Motion Limited**, Waterloo, Ontario (CA)

D382,996 S *	9/1997	Kopel	D3/218
D453,417 S *	2/2002	Badillo et al.	D3/218
D534,720 S *	1/2007	Infanti et al.	D3/218
D587,896 S *	3/2009	Aipa	D3/201
D609,463 S *	2/2010	Bullen	D3/218
D609,900 S *	2/2010	Behar et al.	D3/201

(*) Notice: This patent is subject to a terminal disclaimer.

* cited by examiner

(**) Term: **14 Years**

Primary Examiner — Catheri Oliver-Garcia

(21) Appl. No.: **29/419,287**

(57) **CLAIM**

We claim the ornamental design for an electronic device flap holster, as shown and described.

(22) Filed: **Apr. 26, 2012**

DESCRIPTION

(51) **LOC (9) Cl.** **03-01**

FIG. 1 is a front perspective view of an electronic device flap holster;

(52) **U.S. Cl.** **D3/218**

FIG. 2 is a front elevational view thereof;

(58) **Field of Classification Search** D3/218,

FIG. 3 is a back elevational view thereof;

D3/215, 219, 201, 226, 269, 272–273, 265,

FIG. 4 is a left elevational view thereof;

D3/247–249; 206/305, 320; 455/90, 92,

FIG. 5 is a right elevational view thereof;

455/42; 379/455, 575.1–575.8; 224/680–683,

FIG. 6 is a top plan view thereof; and,

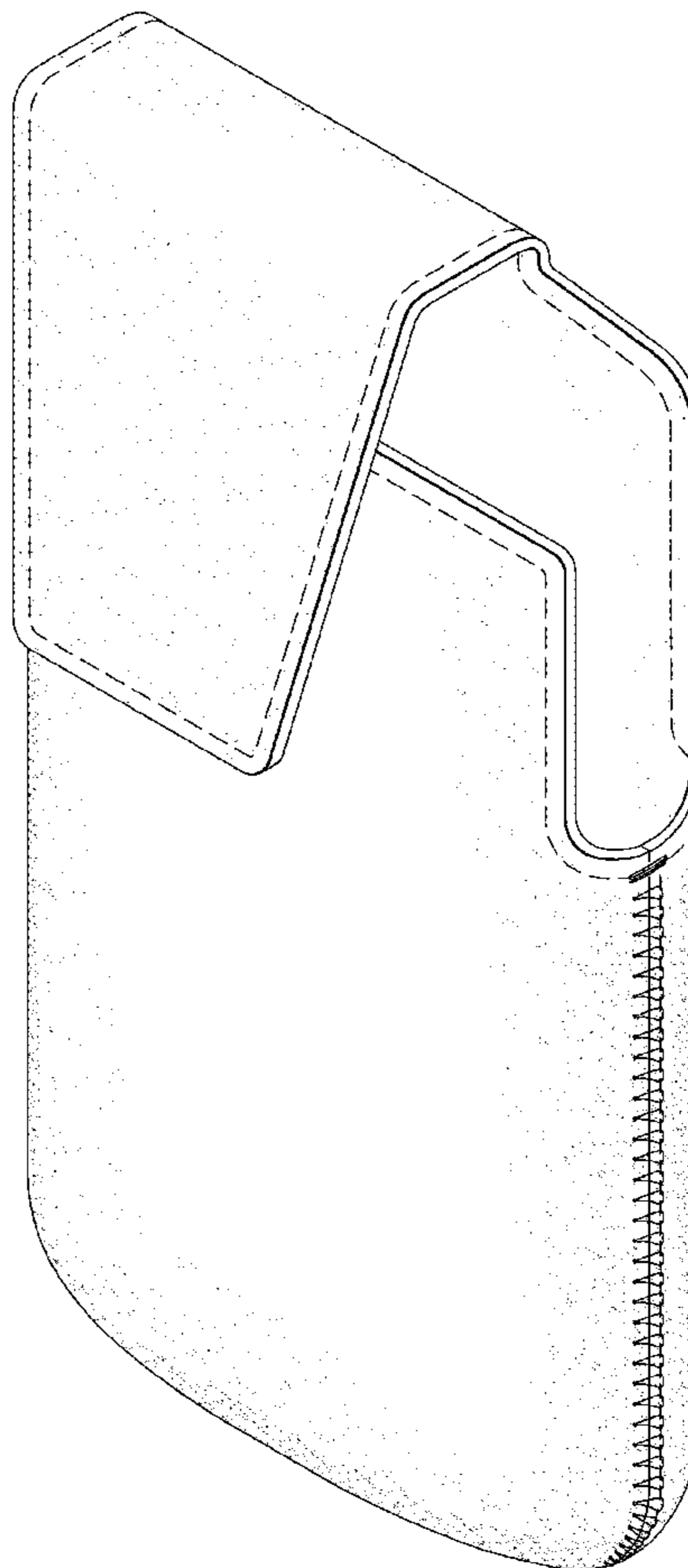
224/901, 250, 666, 674–677; D14/496, 138,

FIG. 7 is a bottom plan view thereof.

D14/156, 250–251, 253

See application file for complete search history.

1 Claim, 5 Drawing Sheets



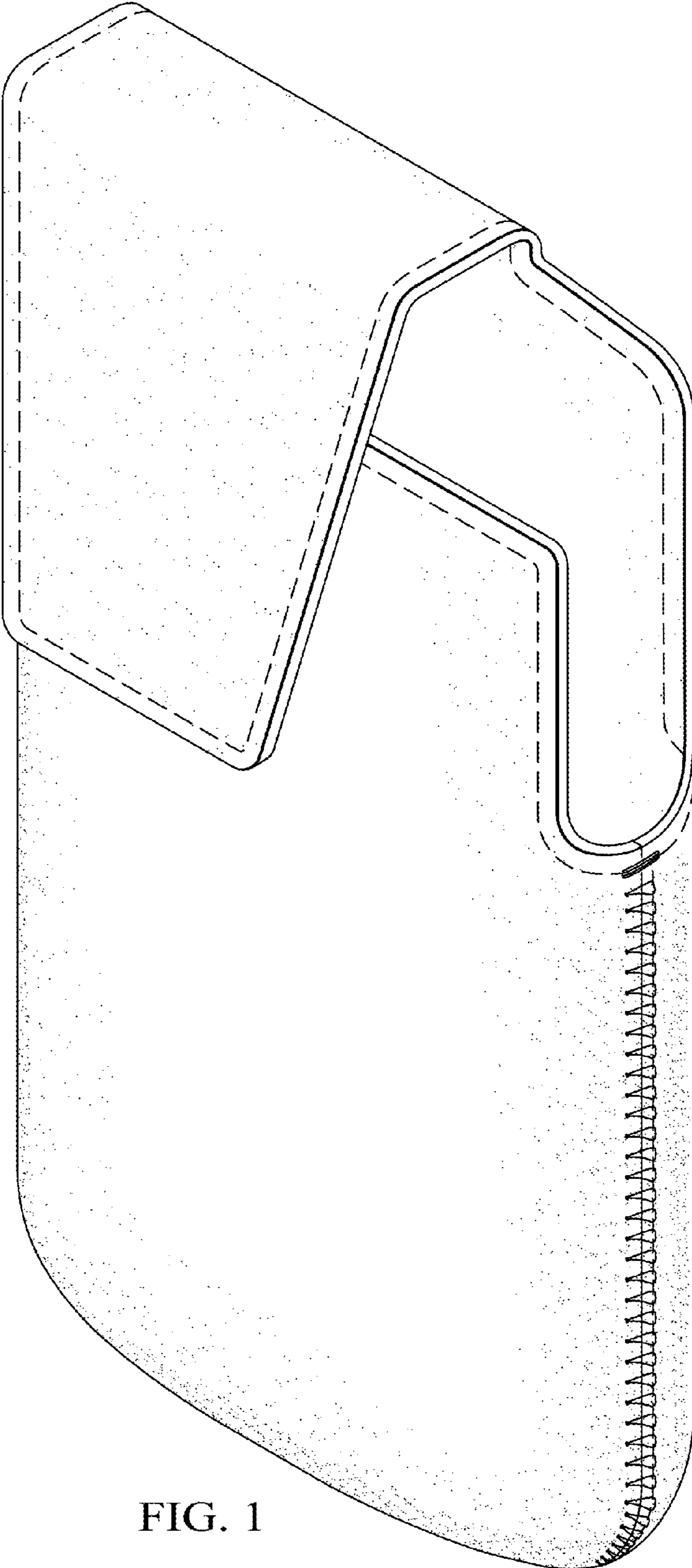


FIG. 1

FIG. 2

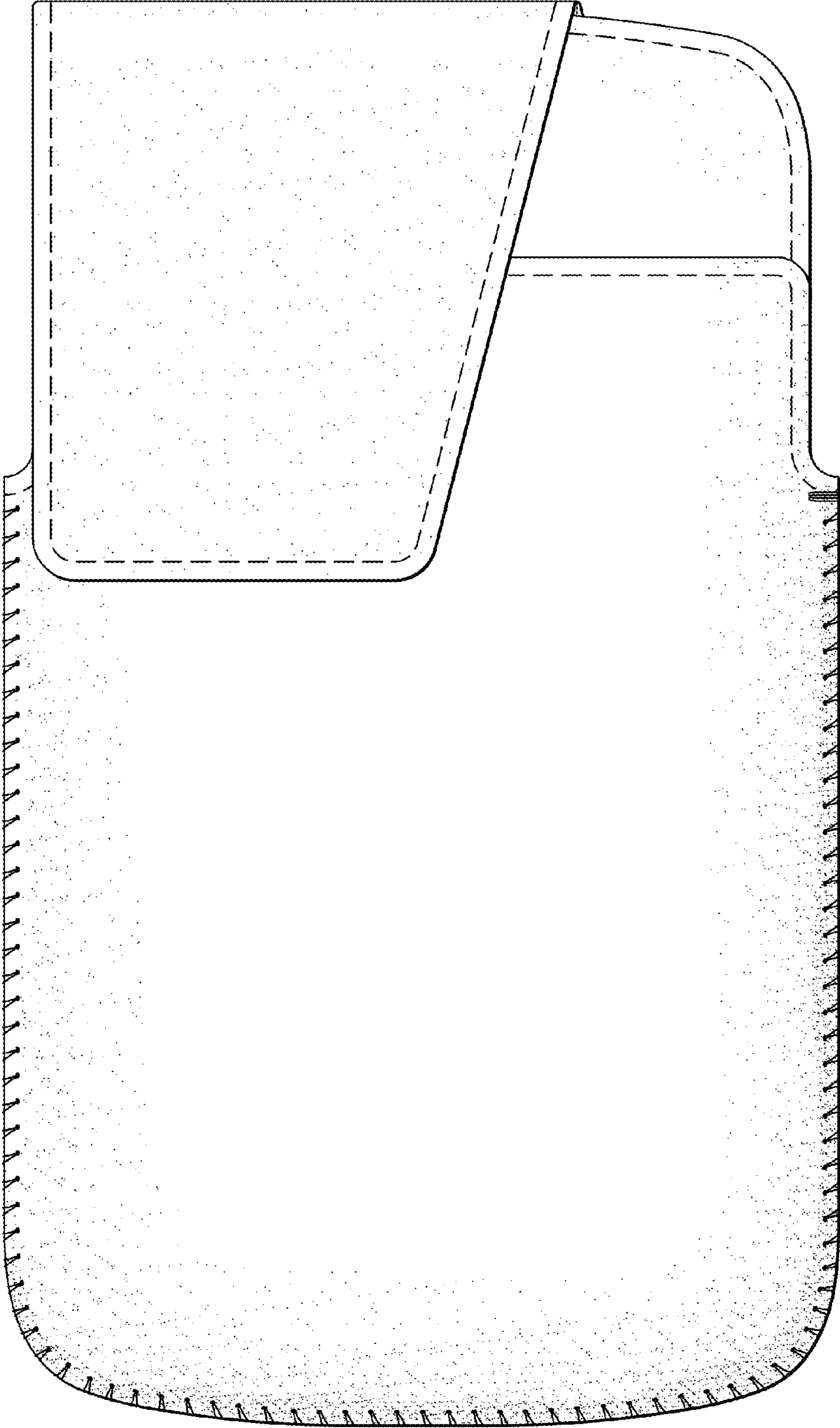


FIG. 3

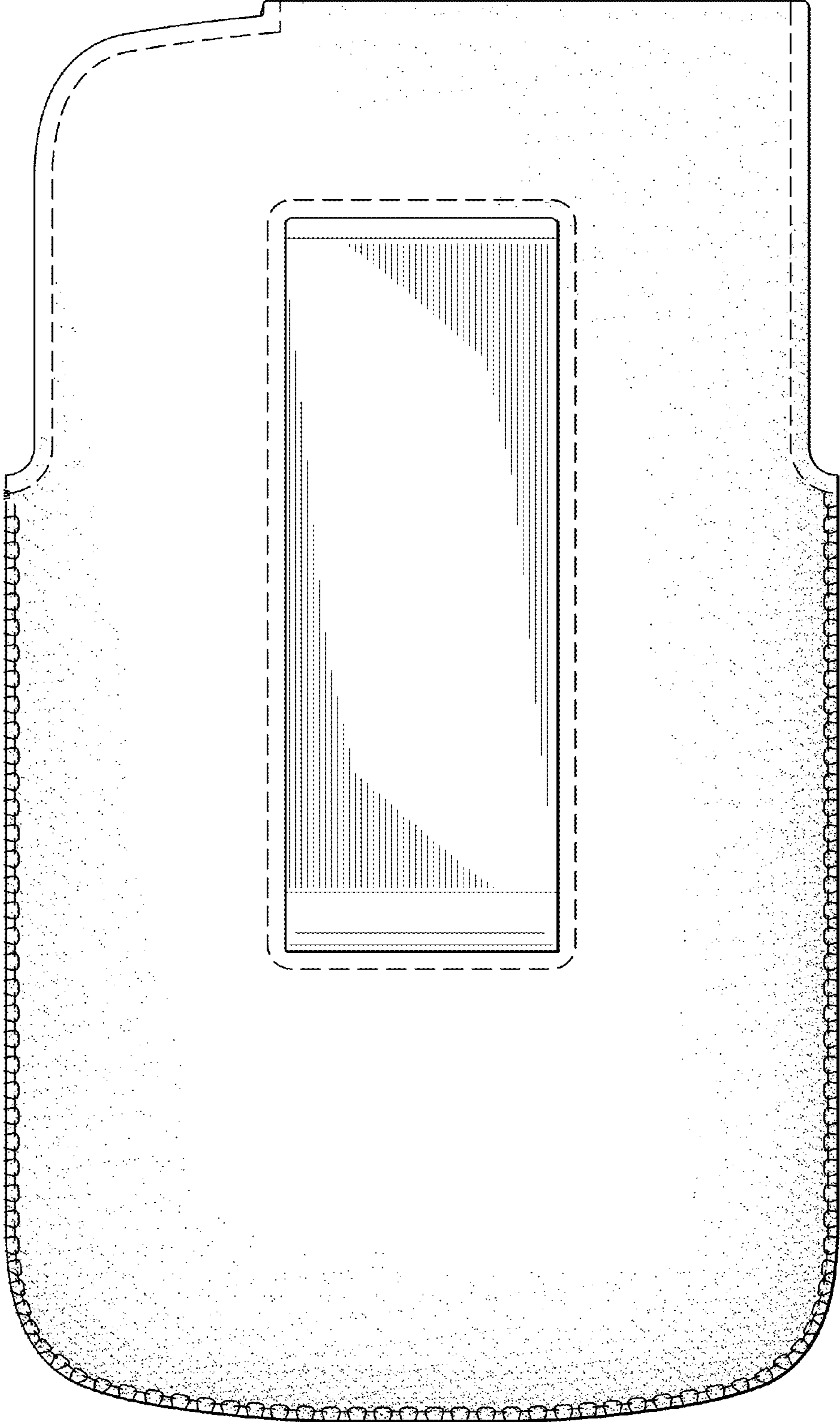


FIG. 4

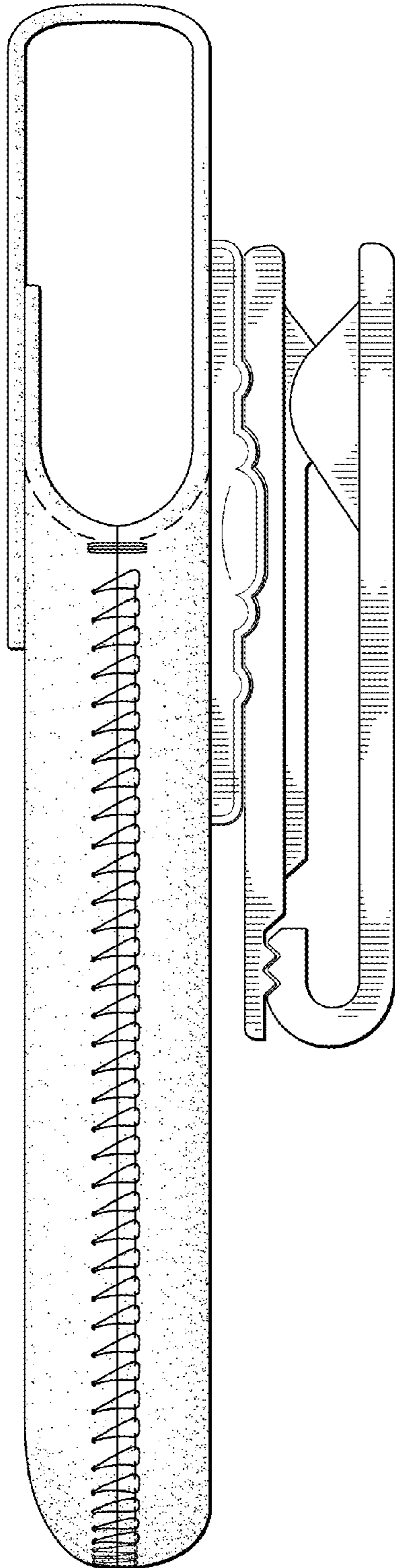
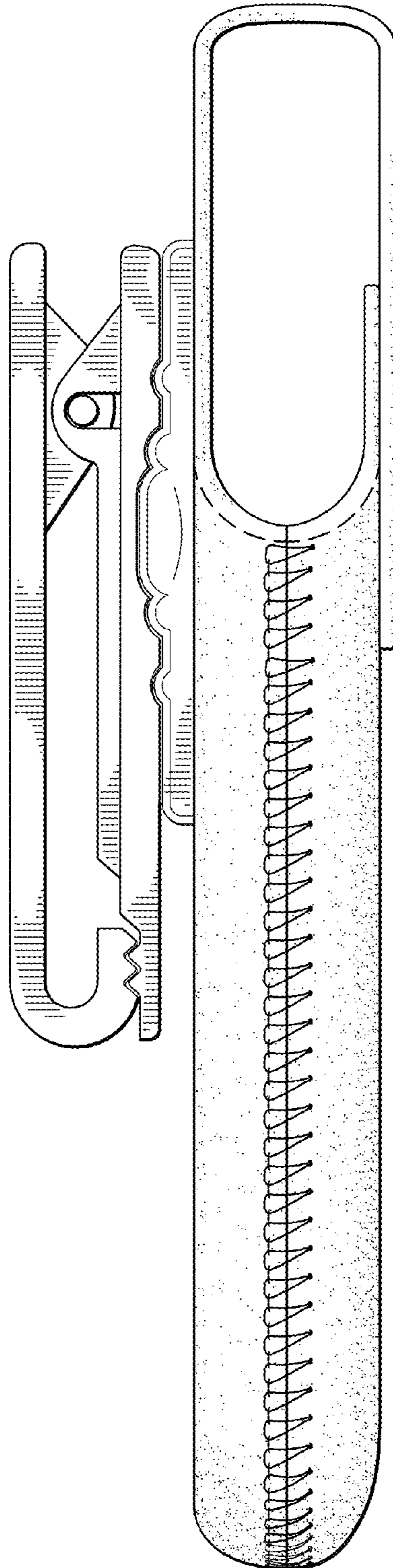


FIG. 5



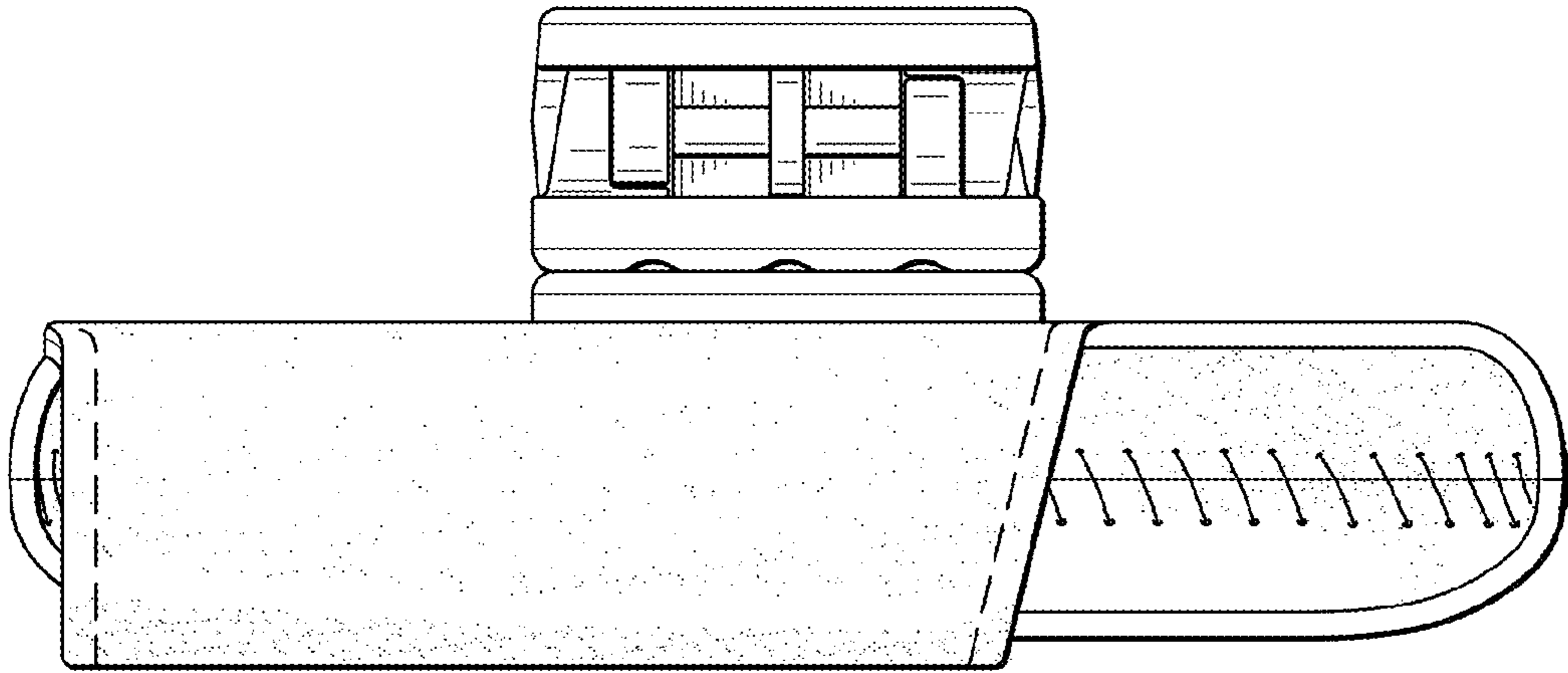


FIG. 6

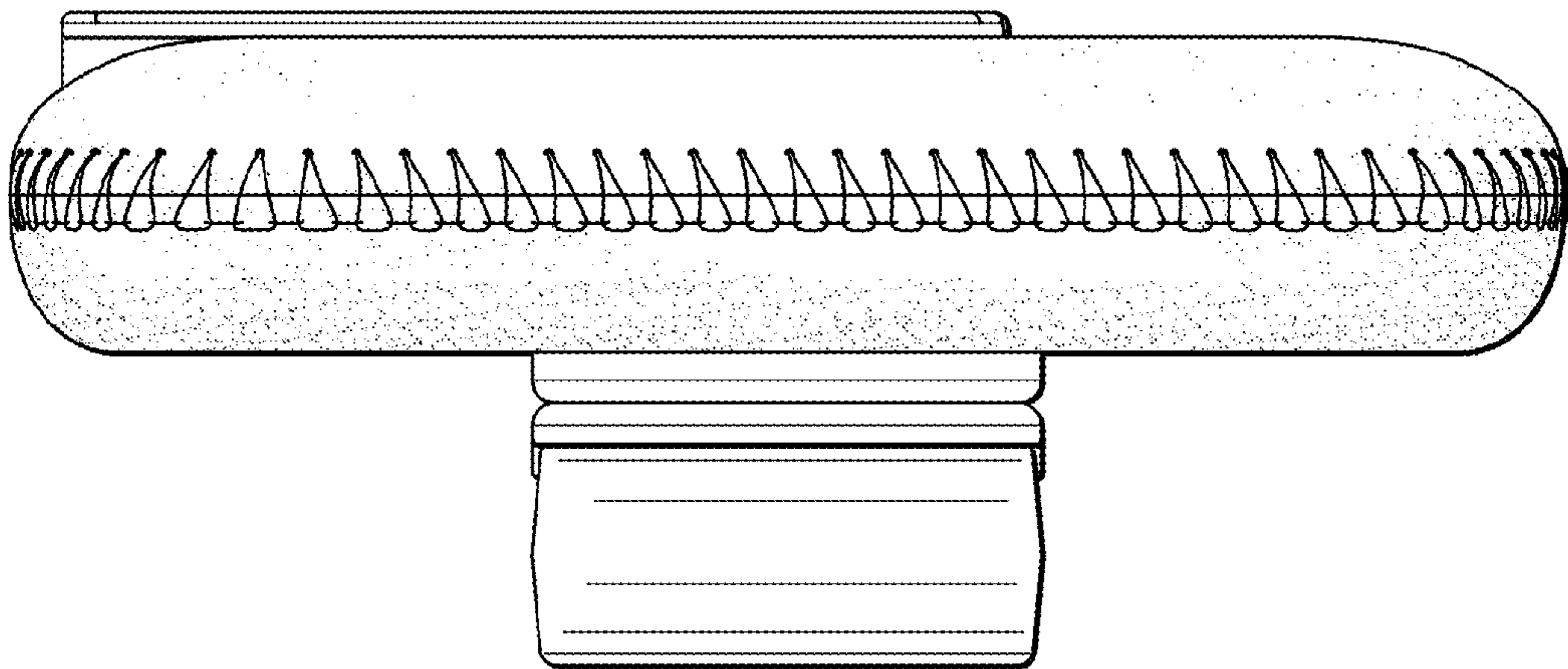


FIG. 7