



US00D679492S

(12) **United States Design Patent**  
**Pethoud**

(10) **Patent No.:** **US D679,492 S**

(45) **Date of Patent:** **\*\* Apr. 9, 2013**

(54) **CANE**

(76) **Inventor:** **Rhonda L. Pethoud**, Temecula, CA  
(US)

(\*\*) **Term:** **14 Years**

(21) **Appl. No.:** **29/388,078**

(22) **Filed:** **Mar. 23, 2011**

(51) **LOC (9) Cl.** ..... **03-03**

(52) **U.S. Cl.**  
USPC ..... **D3/7**

(58) **Field of Classification Search** ..... D3/5-17;  
135/66-69, 72, 74, 75; D21/725, 780  
See application file for complete search history.

(56) **References Cited**

U.S. PATENT DOCUMENTS

D19,846 S	5/1890	Dreher	
D19,968 S	7/1890	Weihman	
D19,993 S	7/1890	Weihman	
D19,994 S	7/1890	Weihman	
D20,561 S	3/1891	Schmidt	
D20,747 S	5/1891	Turner	
D45,352 S	3/1914	Reeve	
D81,985 S	9/1930	Knoedler	
D280,677 S	9/1985	Allen	
D331,495 S	12/1992	Heetman	
D407,207 S	3/1999	Hunter	
D525,897 S	8/2006	Raiman	
D569,626 S	5/2008	Joyce et al.	
D585,196 S	1/2009	Bundrick	
D610,482 S	2/2010	Shaw	
2003/0145881 A1*	8/2003	Harroun	135/65

2007/0267053 A1*	11/2007	Meyers et al.	135/65
2008/0289669 A1*	11/2008	Chiu	135/65
2012/0067385 A1*	3/2012	Senatro	135/75

\* cited by examiner

*Primary Examiner* — T. Chase Nelson

*Assistant Examiner* — Ania Aman

(74) *Attorney, Agent, or Firm* — QuickPatents; Kevin Prince

(57) **CLAIM**

I claim the ornamental design for a cane, as shown and described.

**DESCRIPTION**

FIG. 1 is a perspective view of a cane, showing my new design;

FIG. 2 is a front elevational view thereof;

FIG. 3 is a right-side elevational view thereof;

FIG. 4 is a left-side elevational view thereof;

FIG. 5 is a top plan view thereof;

FIG. 6 is a bottom plan view thereof;

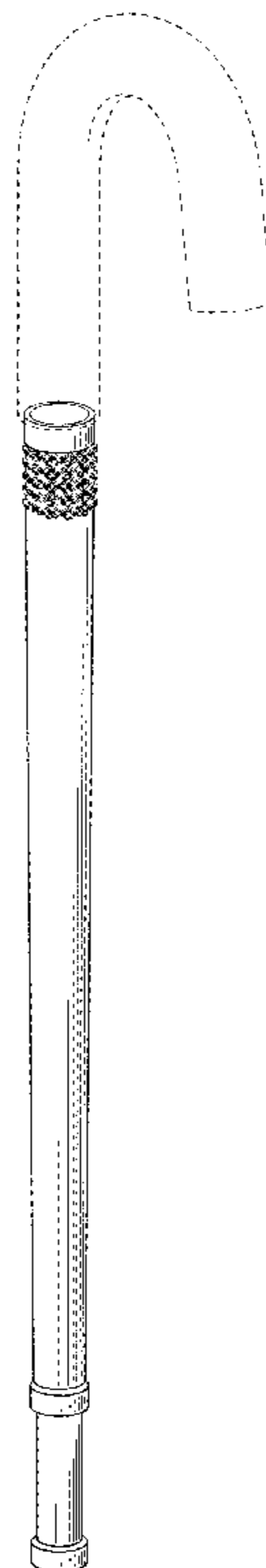
FIG. 7 is a perspective view of an alternate use thereof;

FIG. 8 is a perspective view of another alternate use thereof; and,

FIG. 9 is a partial, enlarged front elevational view thereof, taken along line 9-9 of FIG. 2.

The broken lines showing a U-shaped cane head in FIGS. 1-6 and an alternate cane head in FIG. 7 and another alternate cane head in FIG. 8 and the interior details of the circular elements shown on the shaft of the cane in FIGS. 1-8 depict environmental matter while the design is in-use, and form no part of the claimed design.

**1 Claim, 4 Drawing Sheets**



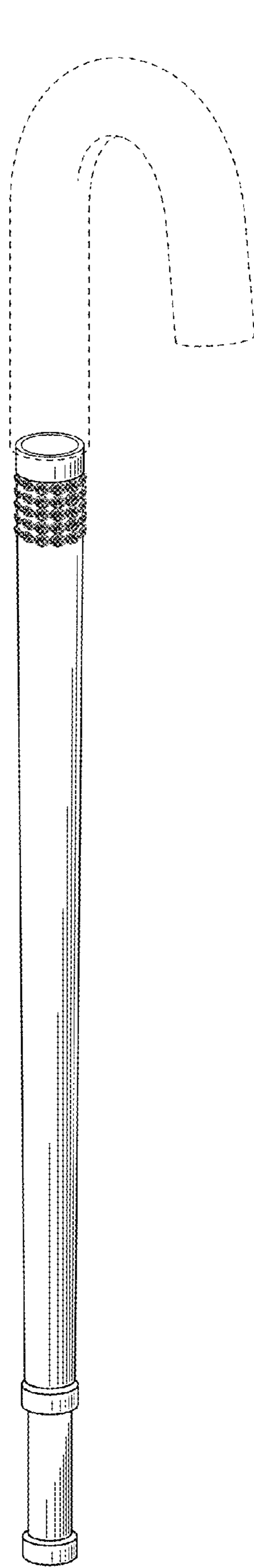


FIG. 1

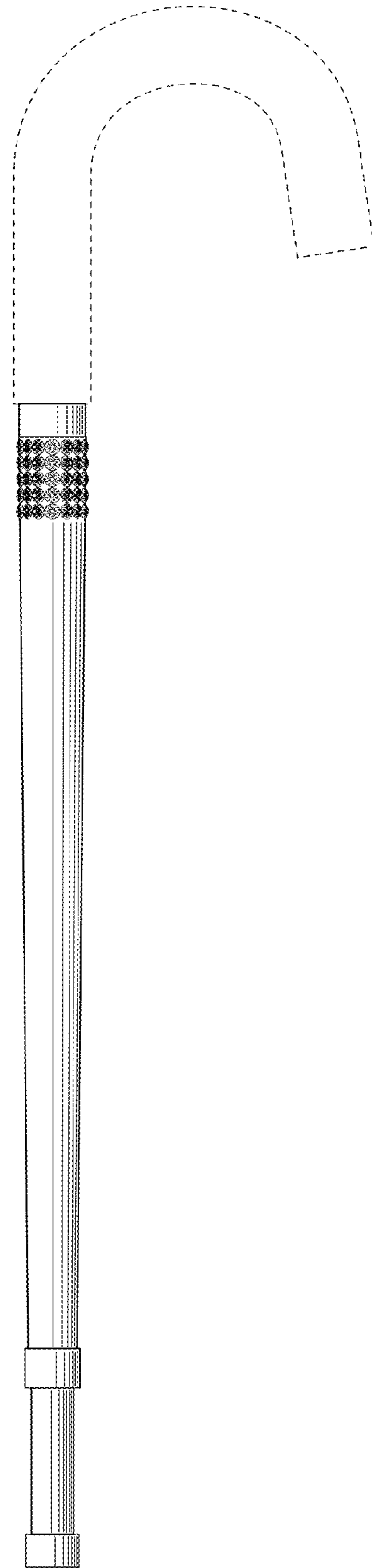


FIG. 2

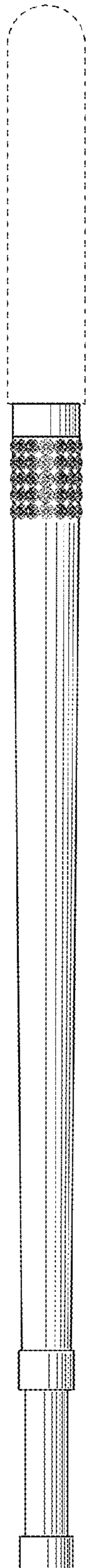


FIG. 3

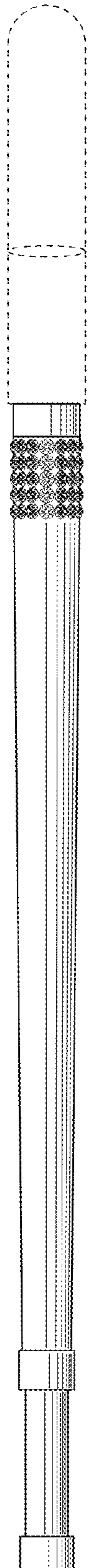


FIG. 4



FIG. 5



FIG. 6

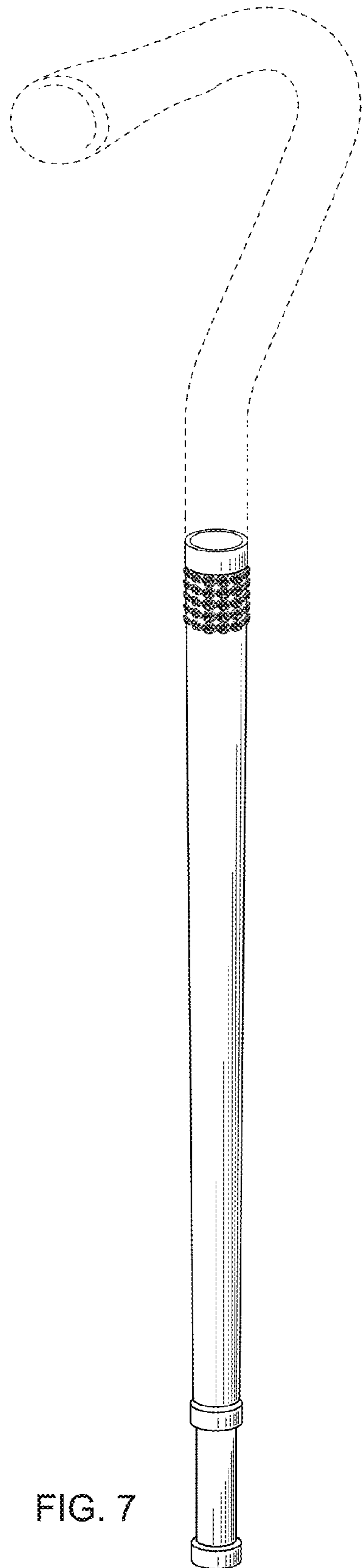


FIG. 7

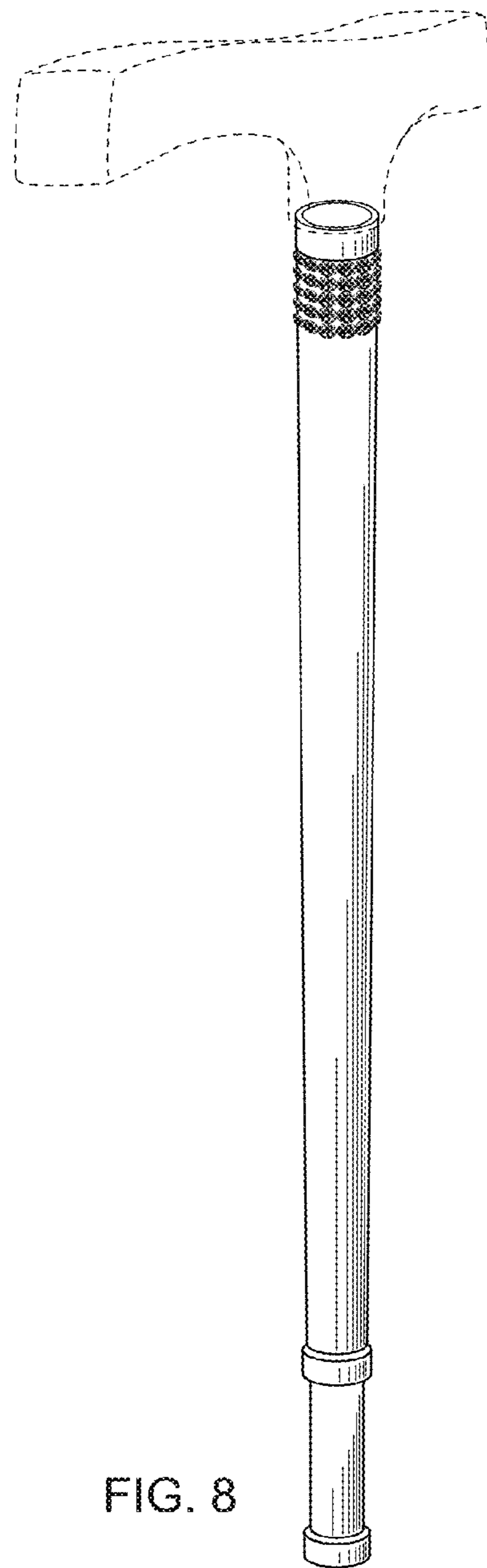


FIG. 8

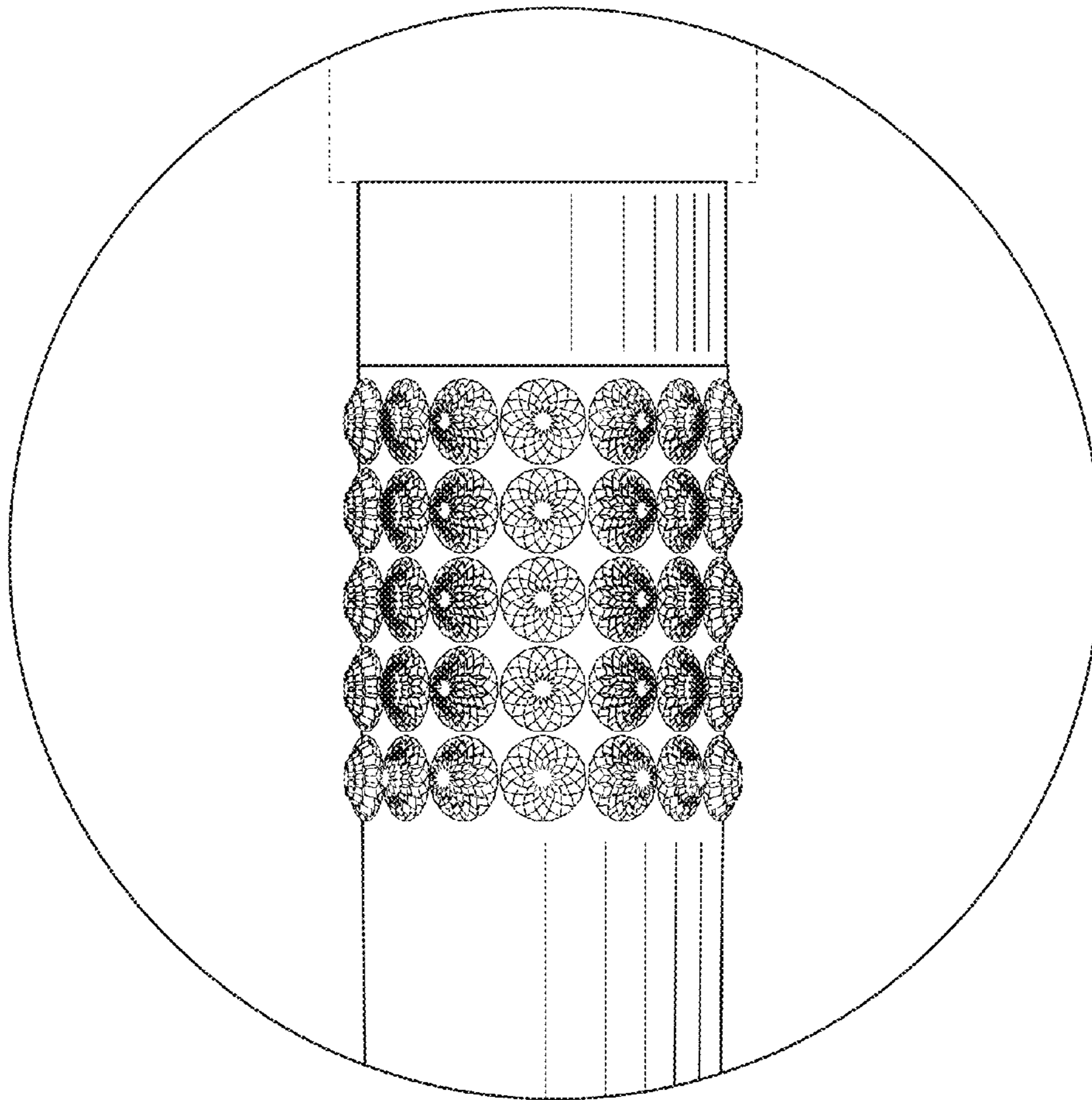


FIG. 9