



US00D679484S

(12) **United States Design Patent**  
**Brown**

(10) **Patent No.:** **US D679,484 S**

(45) **Date of Patent:** **\*\* Apr. 9, 2013**

(54) **PONCHO**

(75) Inventor: **Mei Mei Brown**, Little Rock, AR (US)

(73) Assignee: **Mad Mom, Inc.**, Little Rock, AK (US)

(\*\*) Term: **14 Years**

(21) Appl. No.: **29/420,105**

(22) Filed: **May 4, 2012**

(51) **LOC (9) Cl.** ..... **02-02**

(52) **U.S. Cl.** ..... **D2/823**

(58) **Field of Classification Search** ..... D2/823,  
D2/824, 826; 2/50, 88, 92; D6/608, 602  
See application file for complete search history.

(56) **References Cited**

**U.S. PATENT DOCUMENTS**

1,511,737	A *	10/1924	Lord	.....	2/50
3,522,612	A *	8/1970	Palmer	.....	2/88
4,912,780	A *	4/1990	Falack	.....	2/102
5,697,102	A *	12/1997	Benjamin	.....	2/84
D465,317	S *	11/2002	Darling	.....	D2/824
D507,693	S *	7/2005	Walton	.....	D2/825
D645,645	S *	9/2011	Dyer	.....	D2/823
2004/0237167	A1 *	12/2004	Curry	.....	2/88
2009/0205098	A1 *	8/2009	Araquistain	.....	2/50
2012/0060254	A1 *	3/2012	Blade	.....	2/69

**FOREIGN PATENT DOCUMENTS**

JP 10251905 A \* 9/1998

\* cited by examiner

*Primary Examiner* — Rashida Johnson

(74) *Attorney, Agent, or Firm* — Greenblum & Bernstein P.L.C.

(57) **CLAIM**

I claim the ornamental design for a poncho, as shown and described.

**DESCRIPTION**

FIG. 1 is a front perspective view of a poncho, showing my new design;

FIG. 2 is a front elevational view thereof;

FIG. 3 is a rear elevational view thereof;

FIG. 4 is a right side elevational view thereof;

FIG. 5 is a left side elevational view thereof;

FIG. 6 is a top plan view thereof;

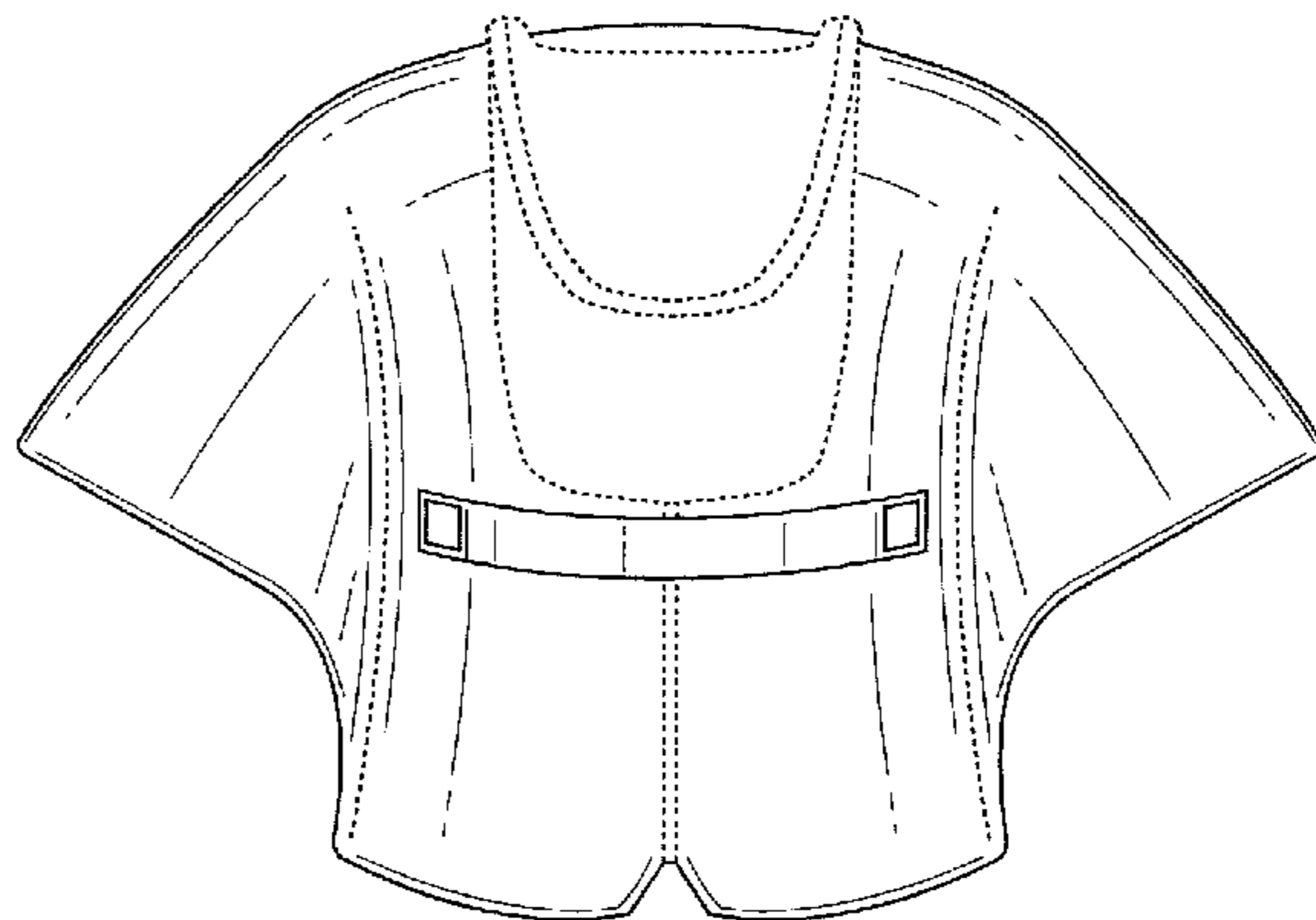
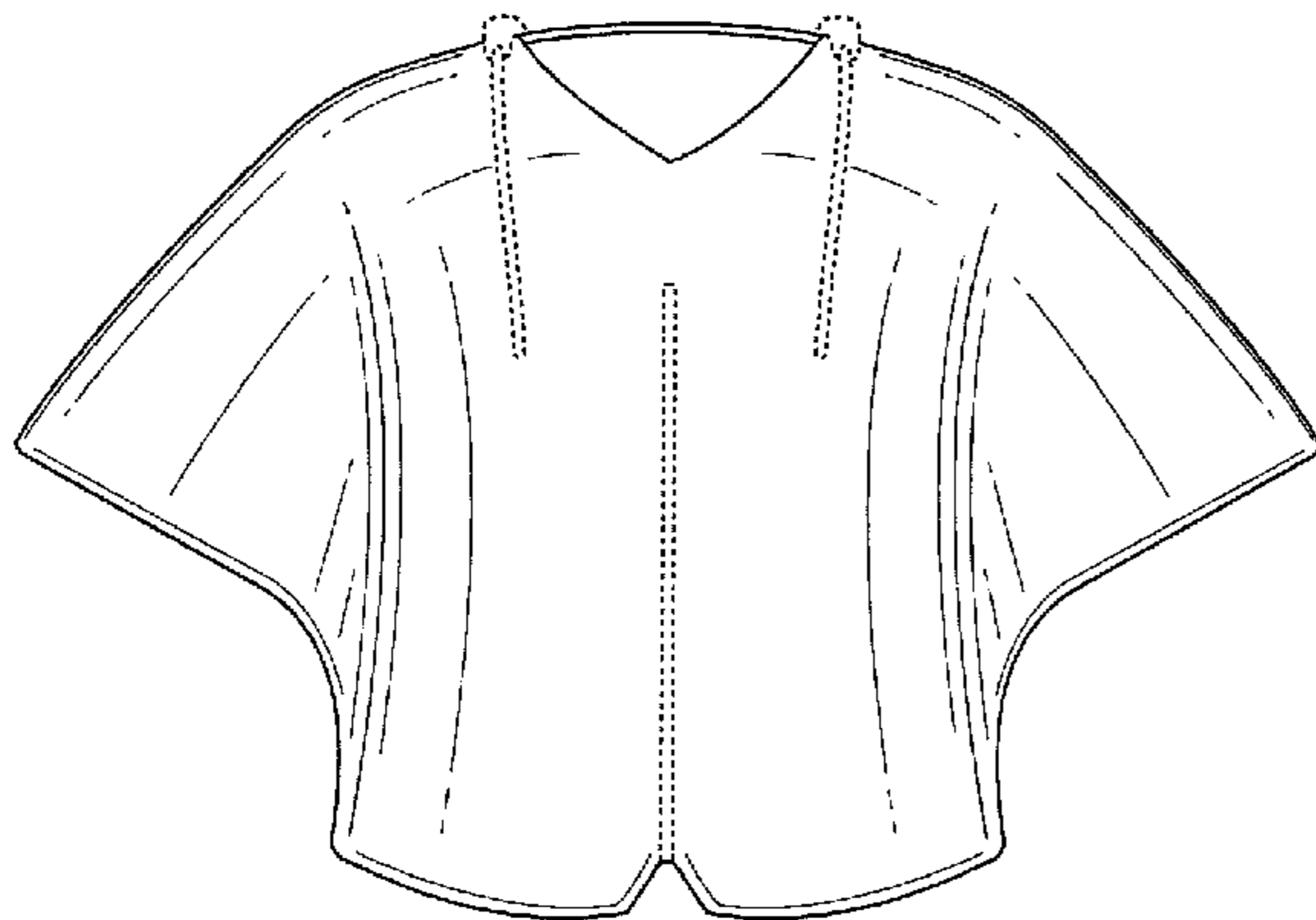
FIG. 7 is a bottom view thereof;

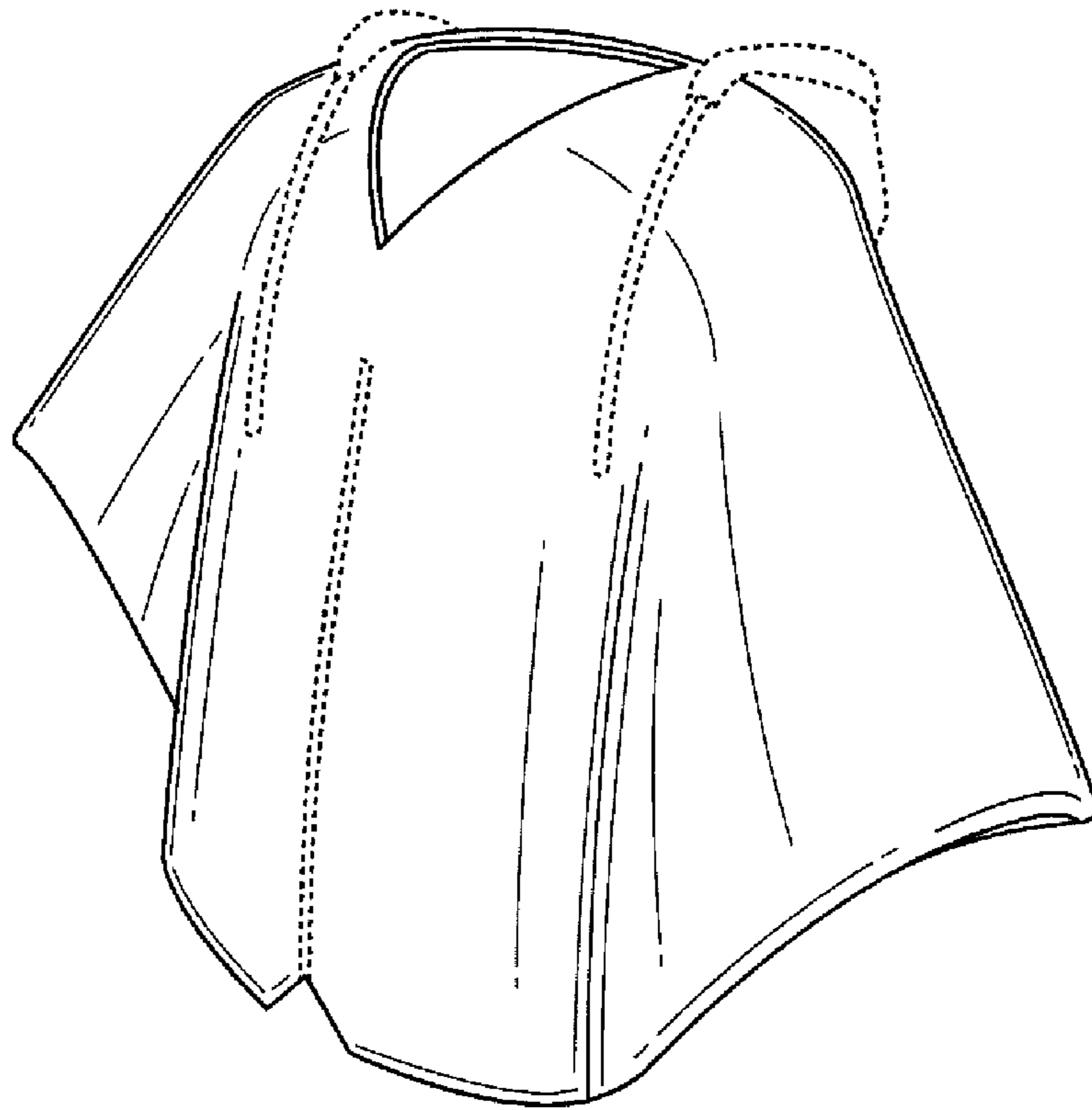
FIG. 8 is a front perspective view of the poncho of my new design, showing a front portion folded to expose an interior portion of the poncho; and,

FIG. 9 is a view of the poncho of my new design, showing the poncho in a use.

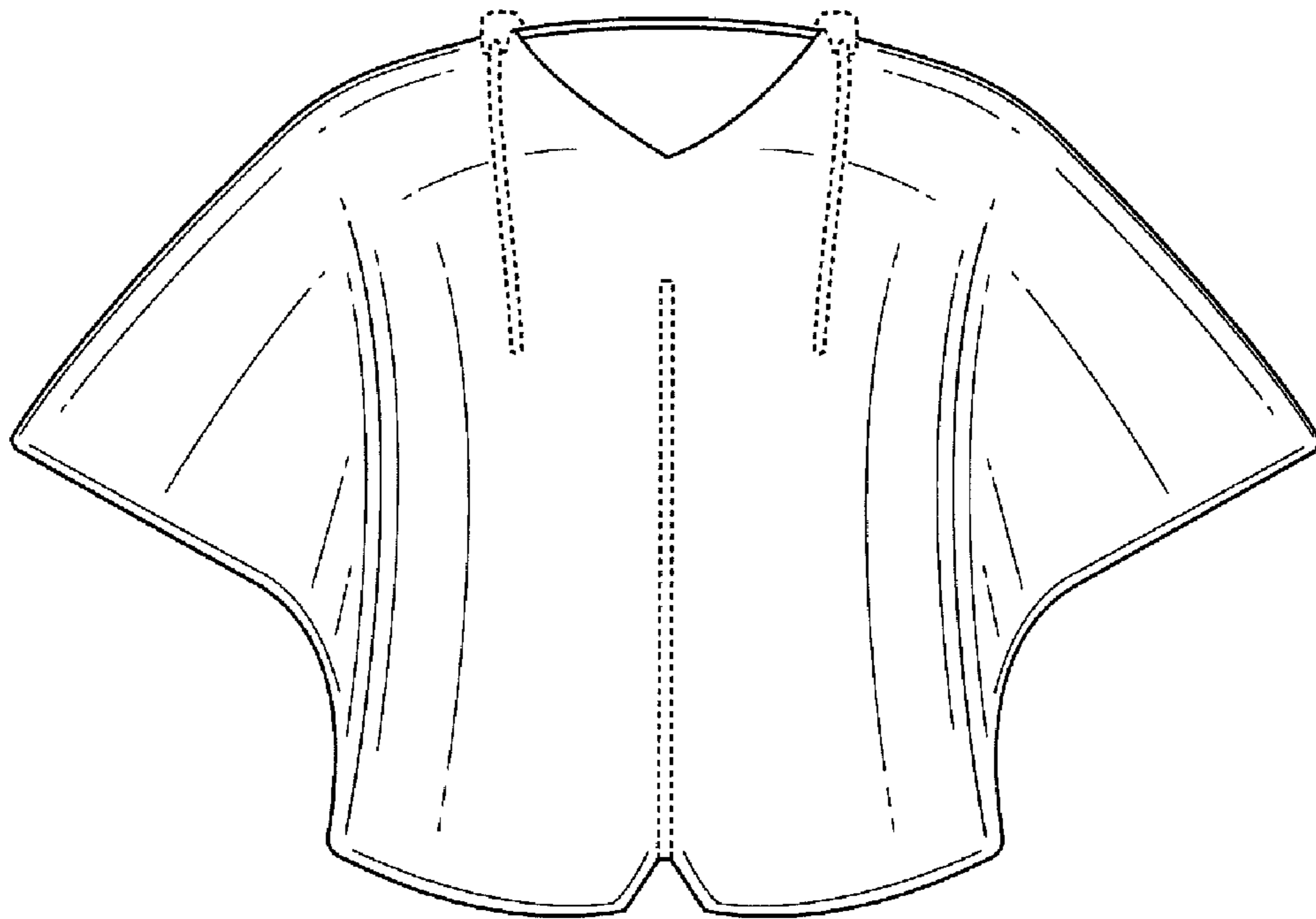
The broken lines indicate structure that is for illustrative purposes only and forms no part of the claimed design.

**1 Claim, 7 Drawing Sheets**

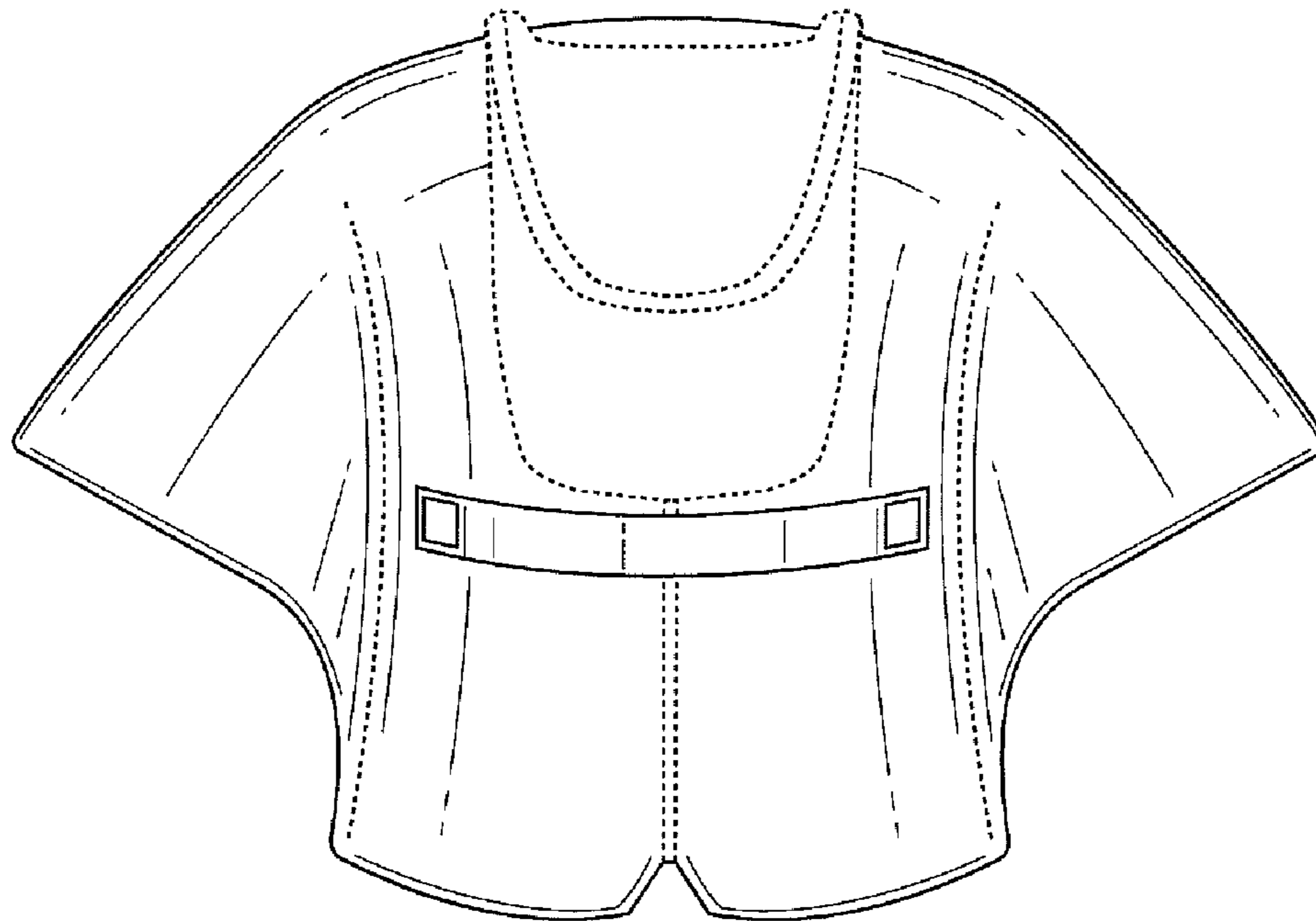




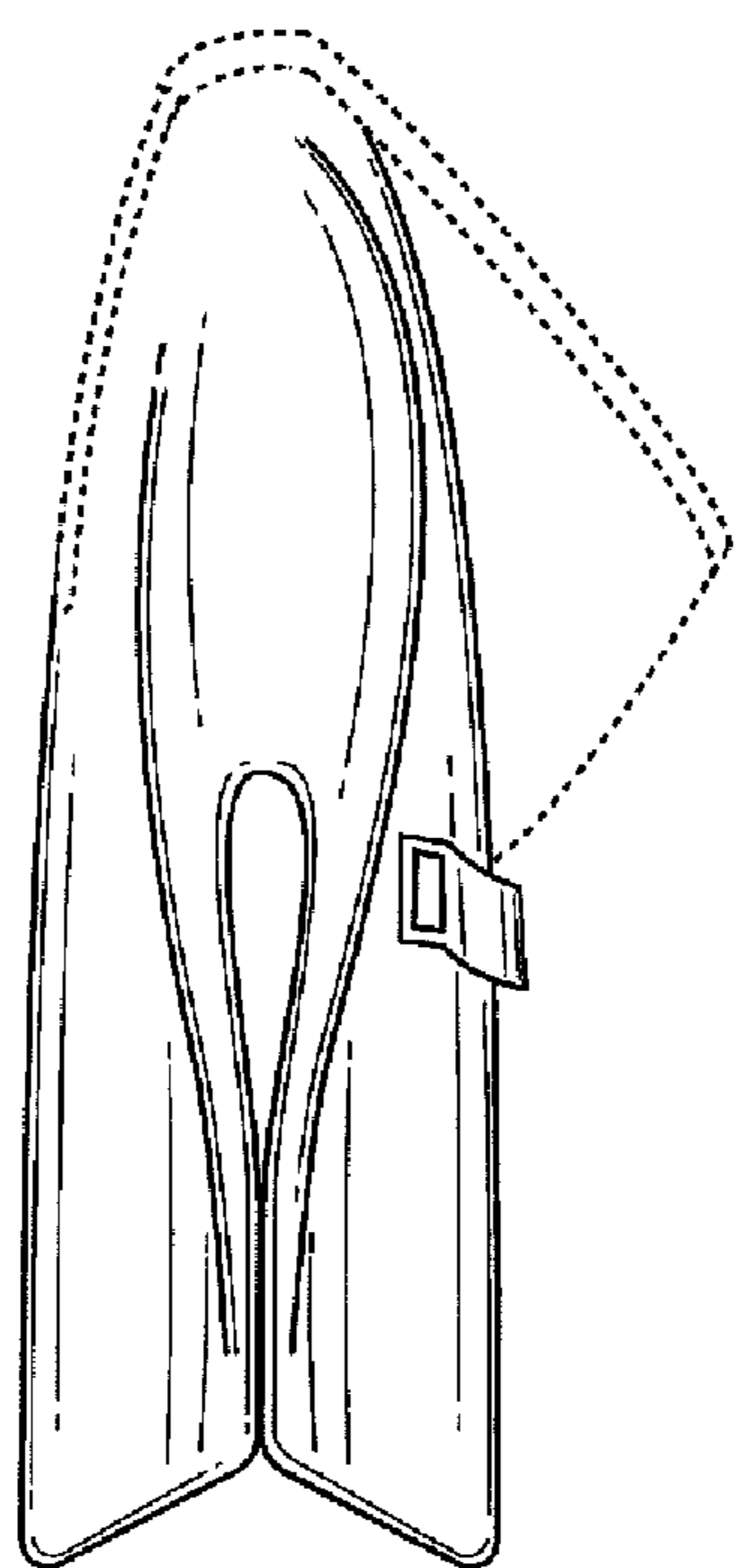
**FIG. 1**



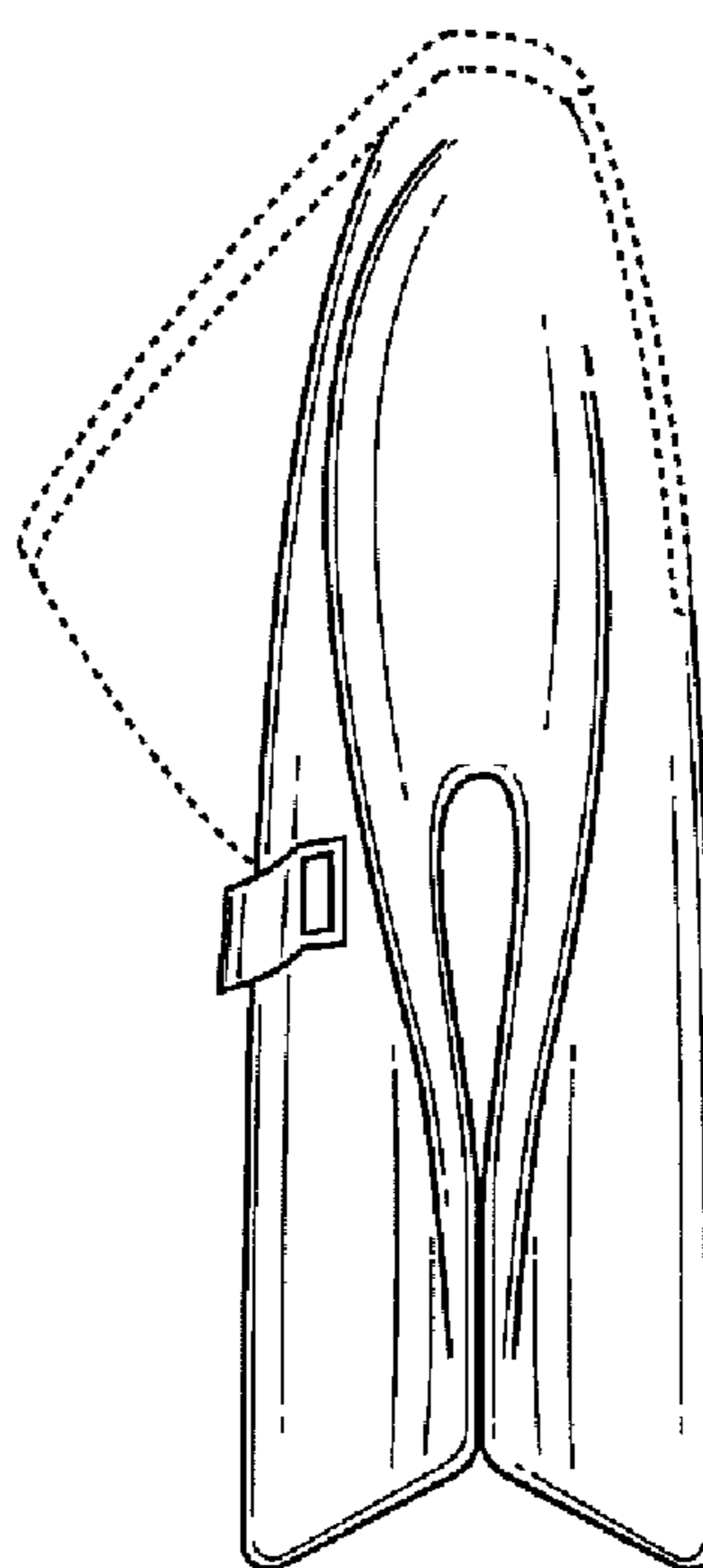
**FIG. 2**



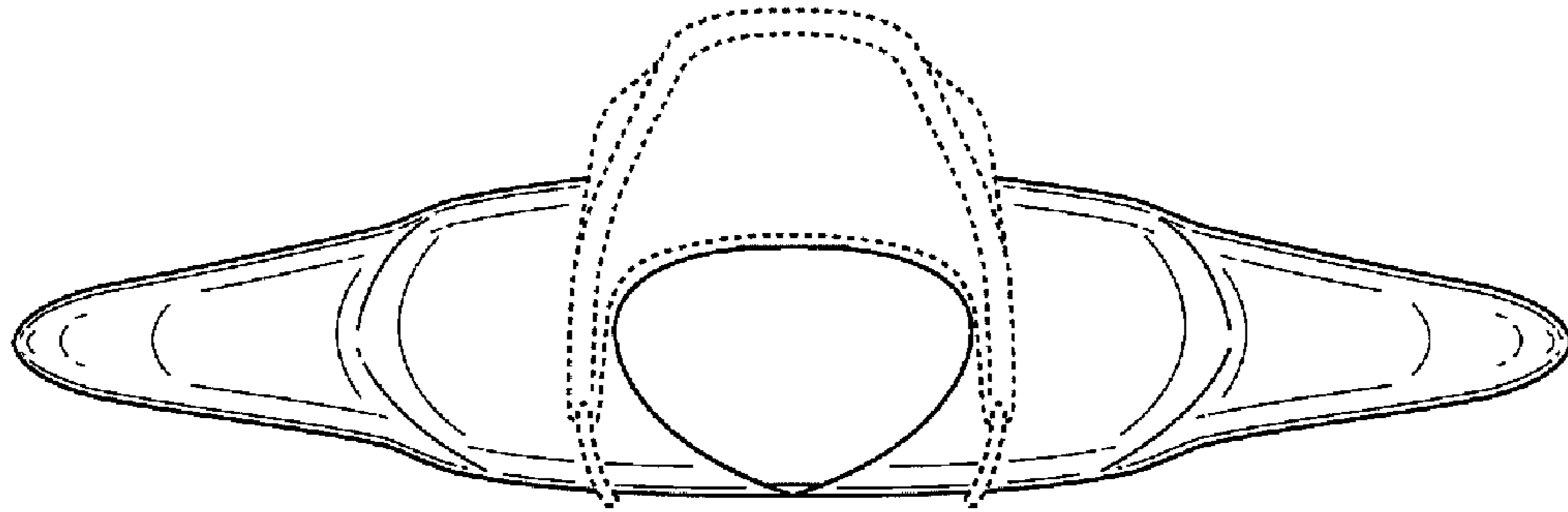
**FIG. 3**



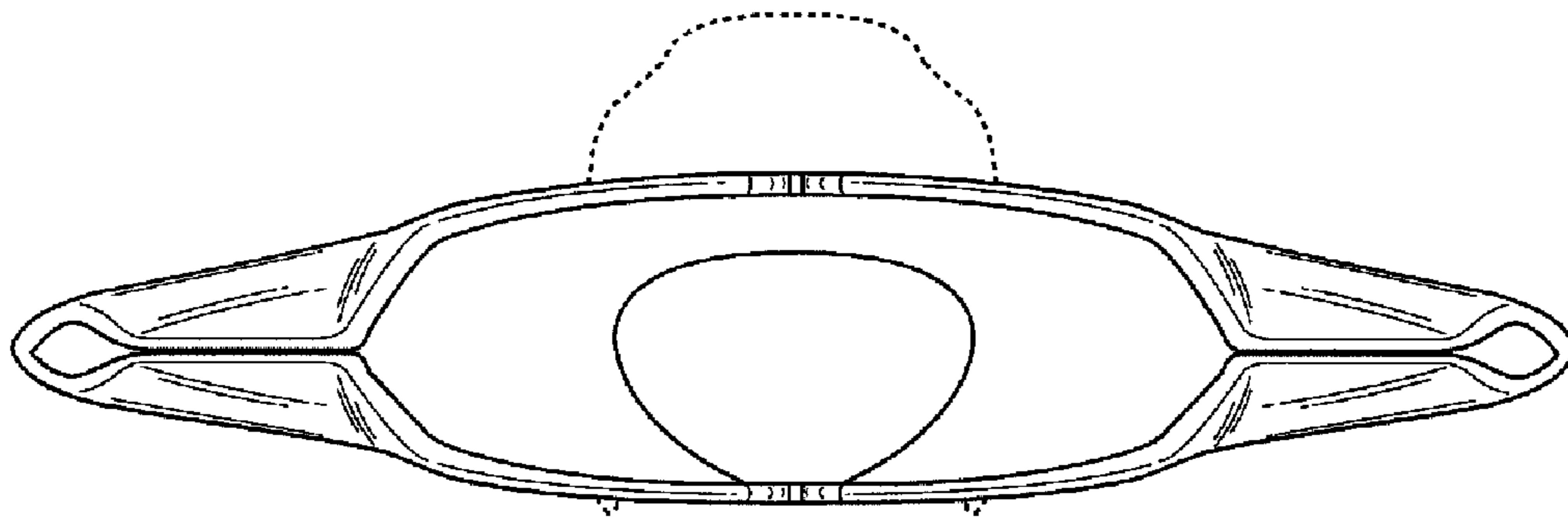
**FIG. 4**



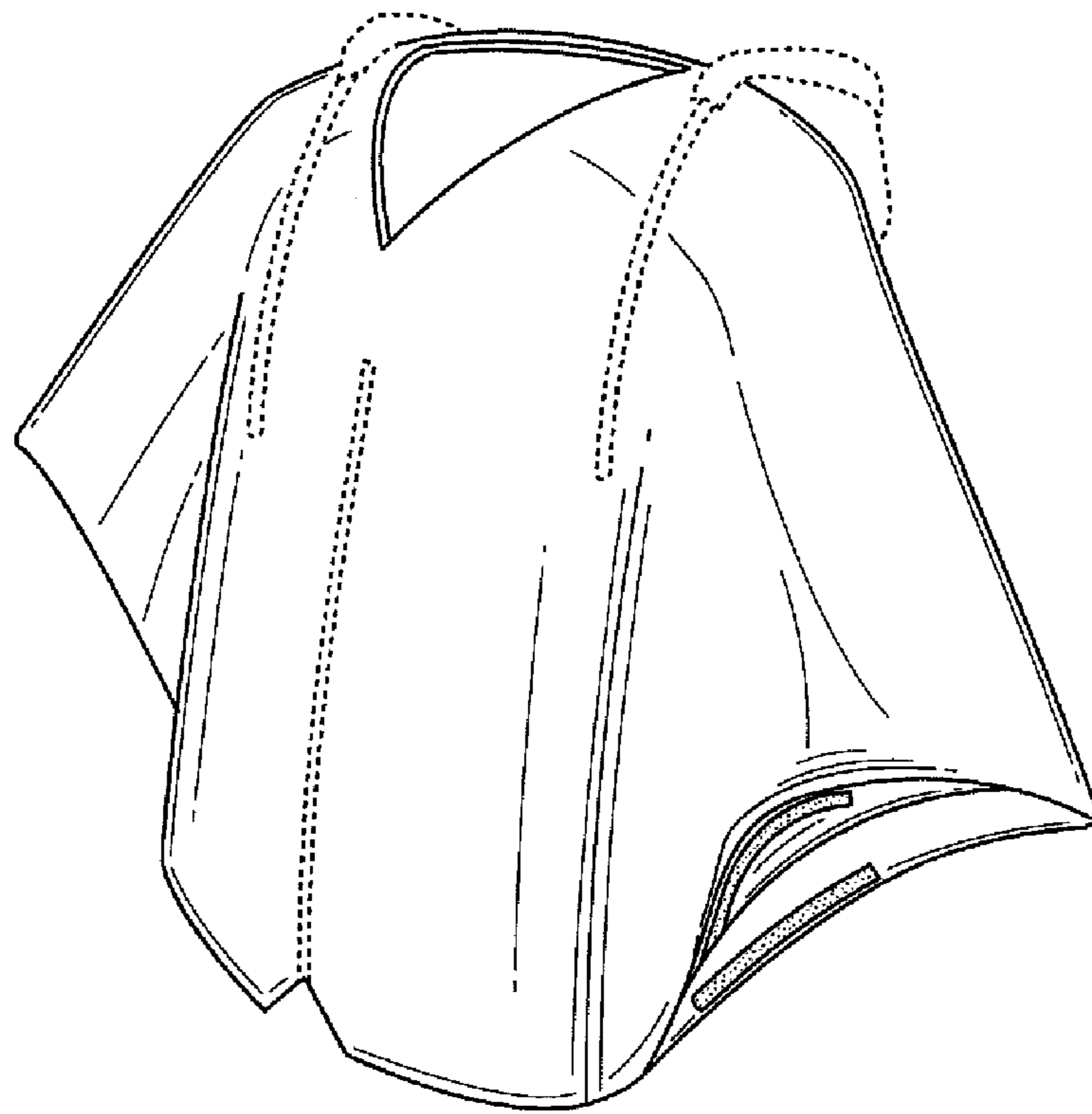
**FIG. 5**



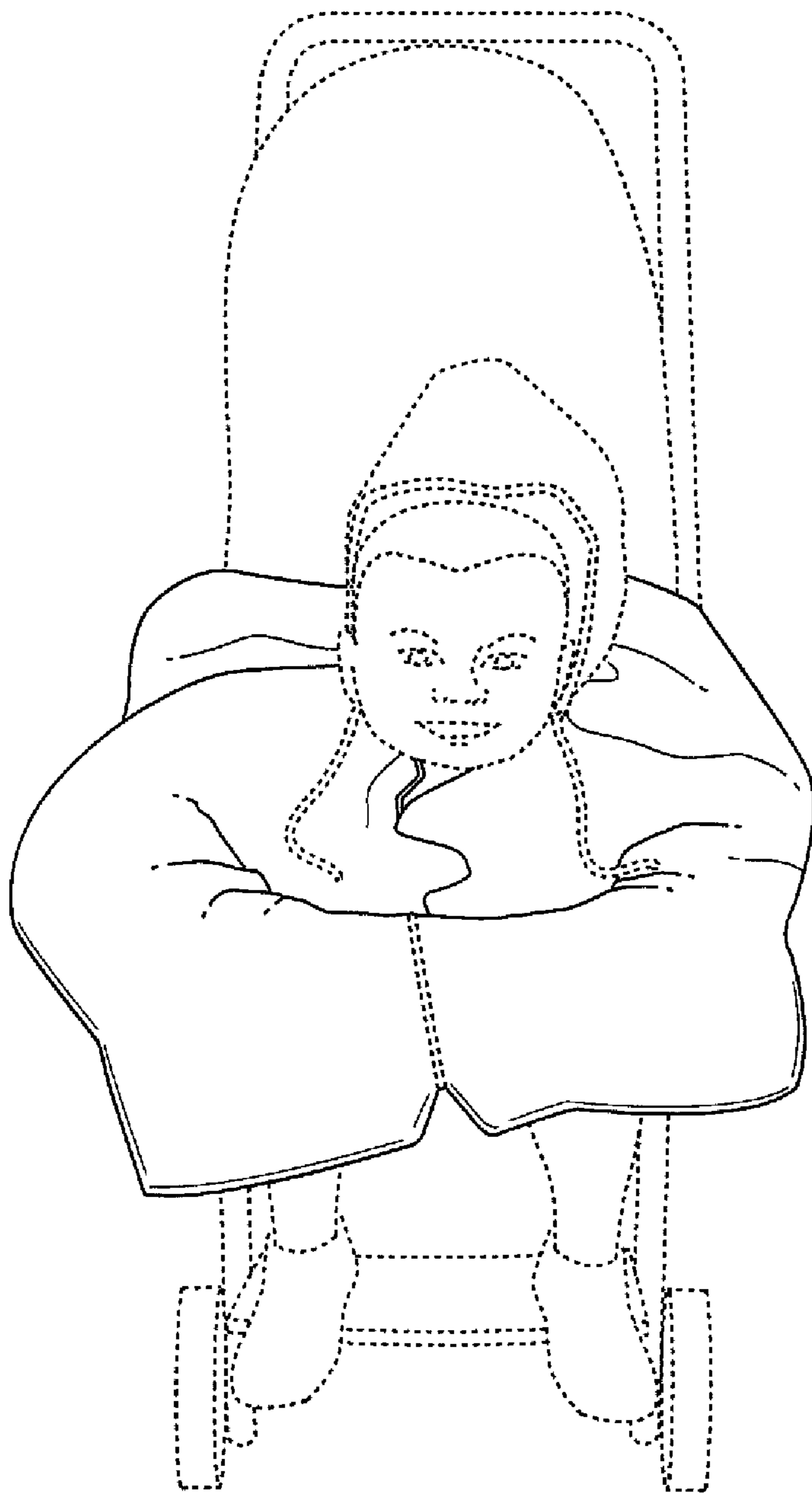
**FIG. 6**



**FIG. 7**



**FIG. 8**



**FIG. 9**