



US00D679475S

(12) **United States Design Patent**
Frye

(10) **Patent No.:** **US D679,475 S**

(45) **Date of Patent:** **** *Apr. 2, 2013**

(54) **MAILBOX**

DESCRIPTION

(76) Inventor: **T. Allen Frye**, Dubberly, LA (US)

(*) Notice: This patent is subject to a terminal disclaimer.

(**) Term: **14 Years**

(21) Appl. No.: **29/370,359**

(22) Filed: **Jul. 6, 2010**

(51) **LOC (9) Cl.** **25-03**

(52) **U.S. Cl.** **D99/32**

(58) **Field of Classification Search** D6/335,
D6/336, 364, 380, 500-502, 356; D99/30,
D99/32; D12/317, 400, 415, 416; 440/49;
232/19

See application file for complete search history.

(56) **References Cited**

U.S. PATENT DOCUMENTS

D263,514 S *	3/1982	Paparella	D99/32
D432,754 S *	10/2000	Masciovecchio	D99/30
D439,723 S	3/2001	Avery		
D634,093 S *	3/2011	Wagner	D99/30

* cited by examiner

Primary Examiner — Sandra Snapp

(74) *Attorney, Agent, or Firm* — R. Keith Harrison

(57) **CLAIM**

The ornamental designs for a mailbox, as shown and described.

FIG. 1 is a front perspective view of a mailbox, with a portion on an outboard motor shown in dashed lines and which portion of an outboard motor does not form a part of the claimed design;

FIG. 2 is a rear view of the mailbox, with a portion of the outboard motor shown in dashed lines and which portion of the outboard motor does not form a part of the claimed design;

FIG. 3 is a front view of the mailbox, with a portion of the outboard motor shown in dashed lines and which portion of the outboard motor does not form a part of the claimed design;

FIG. 4 is a right side view of the mailbox, with a portion of the outboard motor shown in dashed lines and which portion of the outboard motor does not form a part of the claimed design;

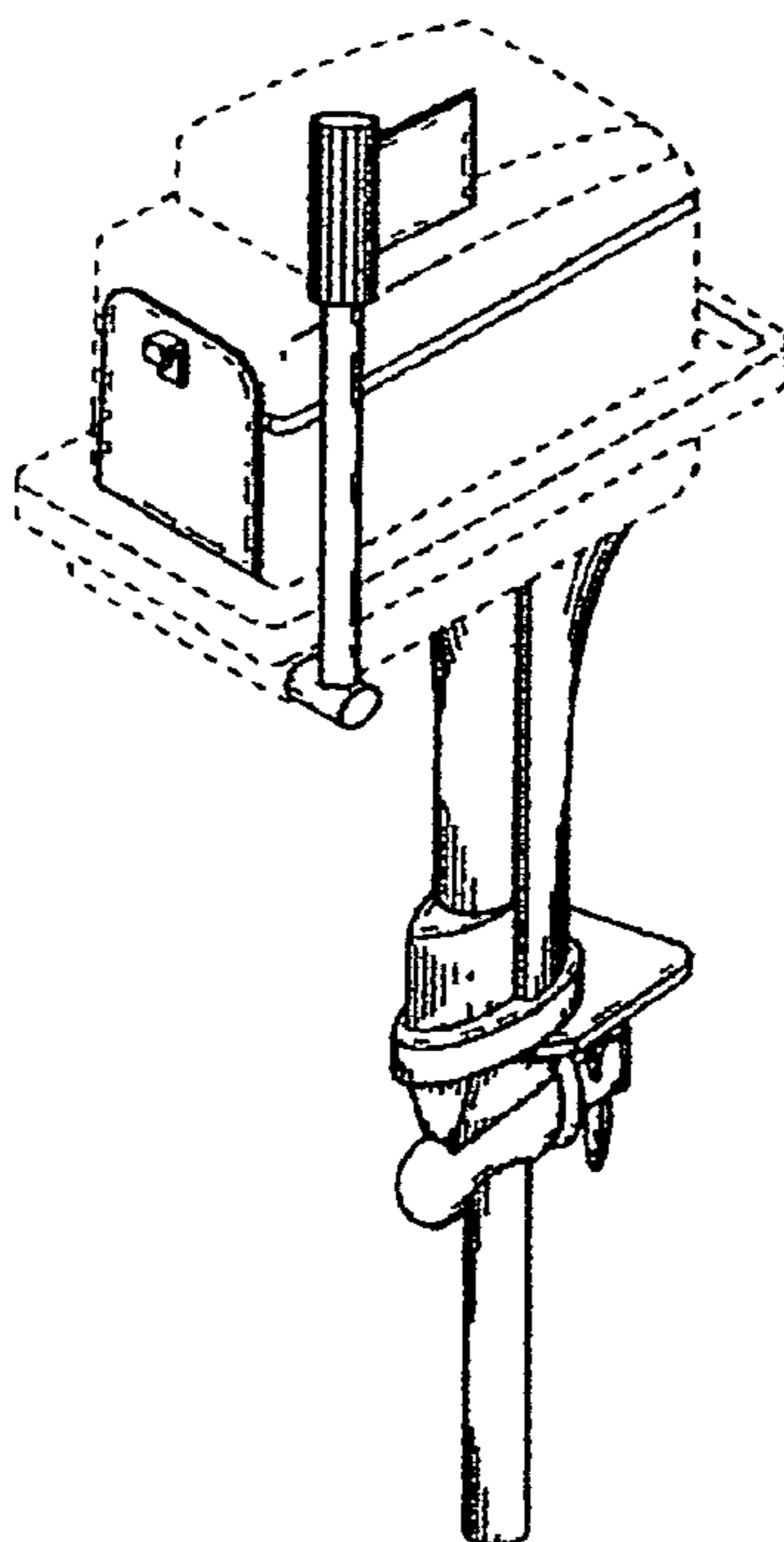
FIG. 5 is a left side view of the mailbox, with a portion of the outboard motor shown in dashed lines and which portion of the outboard motor does not form a part of the claimed design;

FIG. 6 is a top plan view of the mailbox, with a portion of the outboard motor shown in dashed lines and which portion of the outboard motor does not form a part of the claimed design;

FIG. 7 is a bottom plan view of the mailbox, with a portion of the outboard motor shown in dashed lines and which portion of the outboard motor does not form a part of the claimed design; and,

FIG. 8 is a front perspective view of the mailbox, with a portion of the outboard motor shown in dashed lines and which portion of the outboard motor does not form a part of the claimed design and the flag shown in an alternate position. The drawing disclosure of this application includes broken line depictions of an outboard motor of a mailbox, which outboard motor does not form a part of the claimed design.

1 Claim, 3 Drawing Sheets



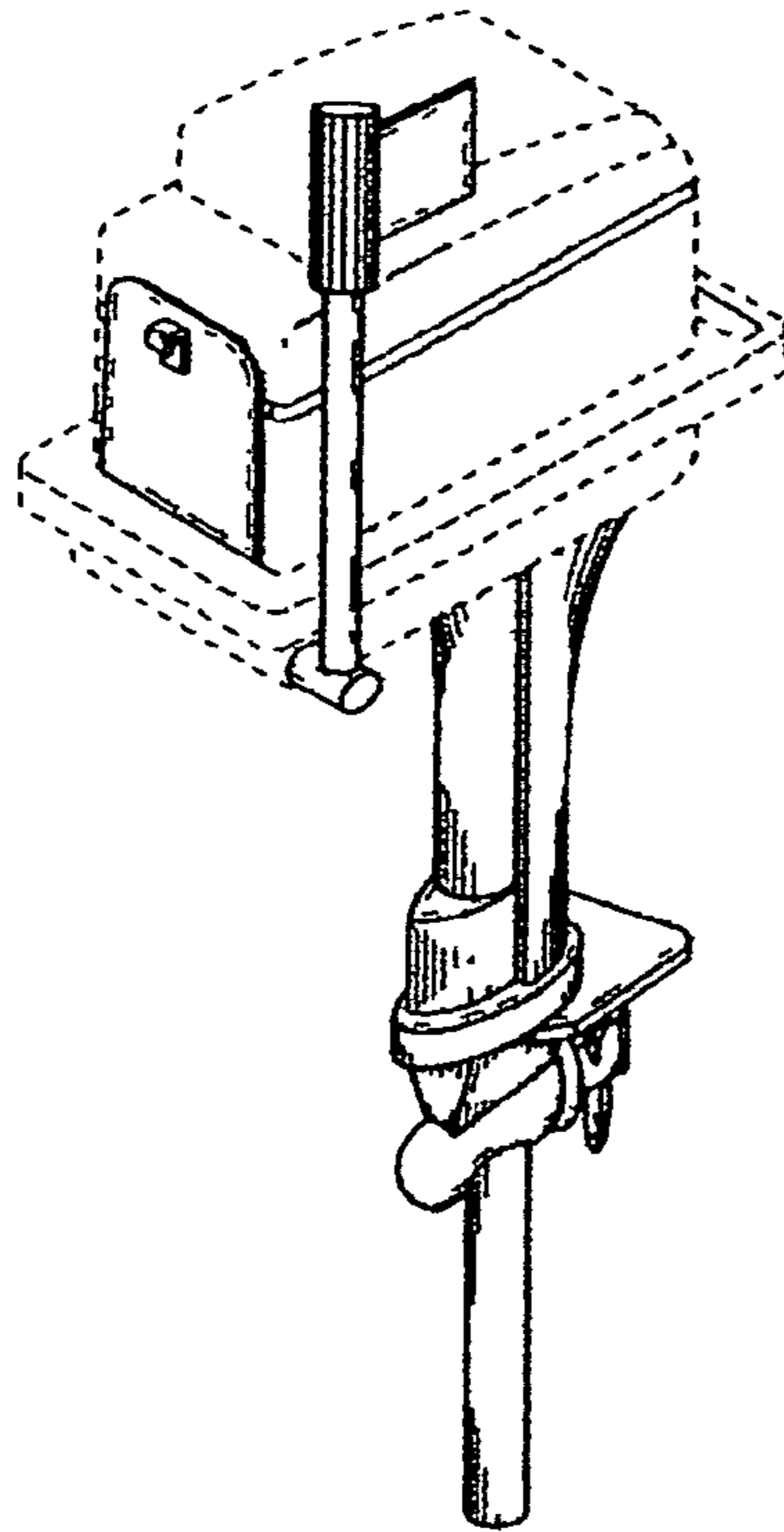


FIG. 1

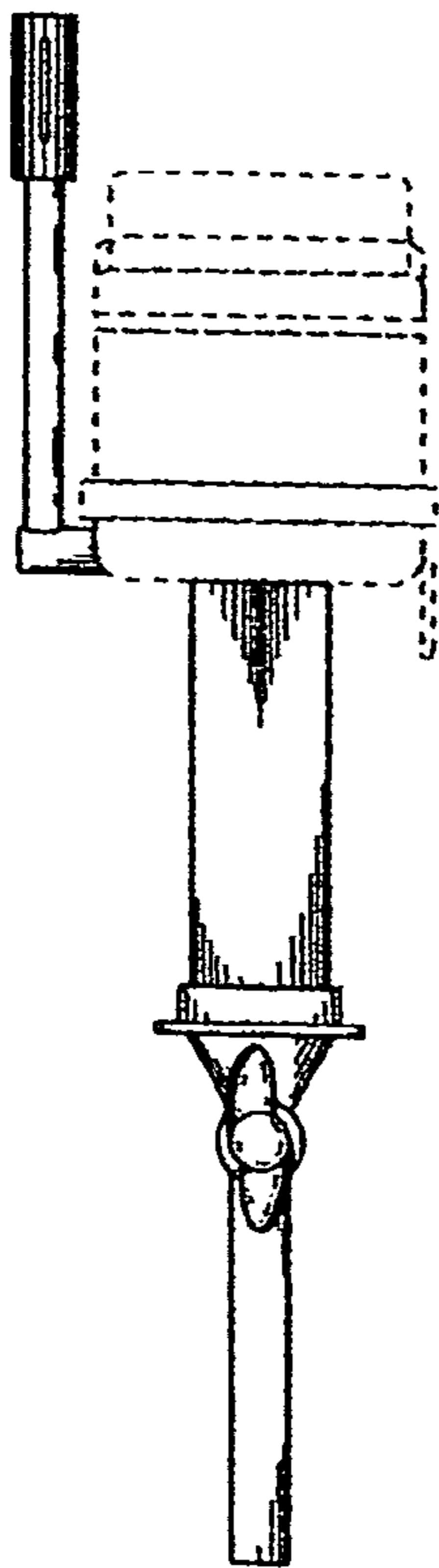


FIG. 2

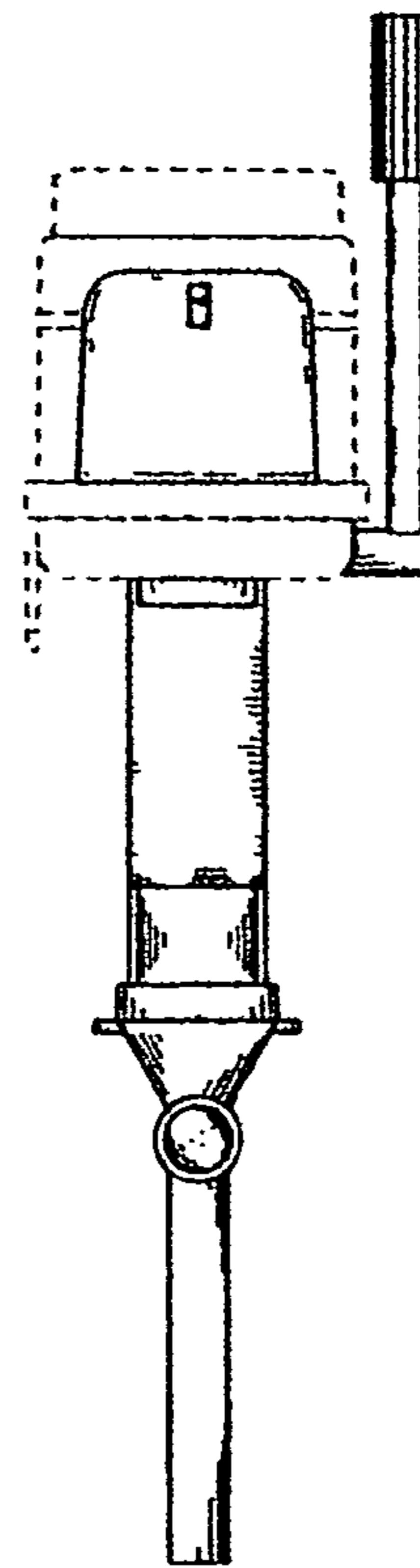


FIG. 3

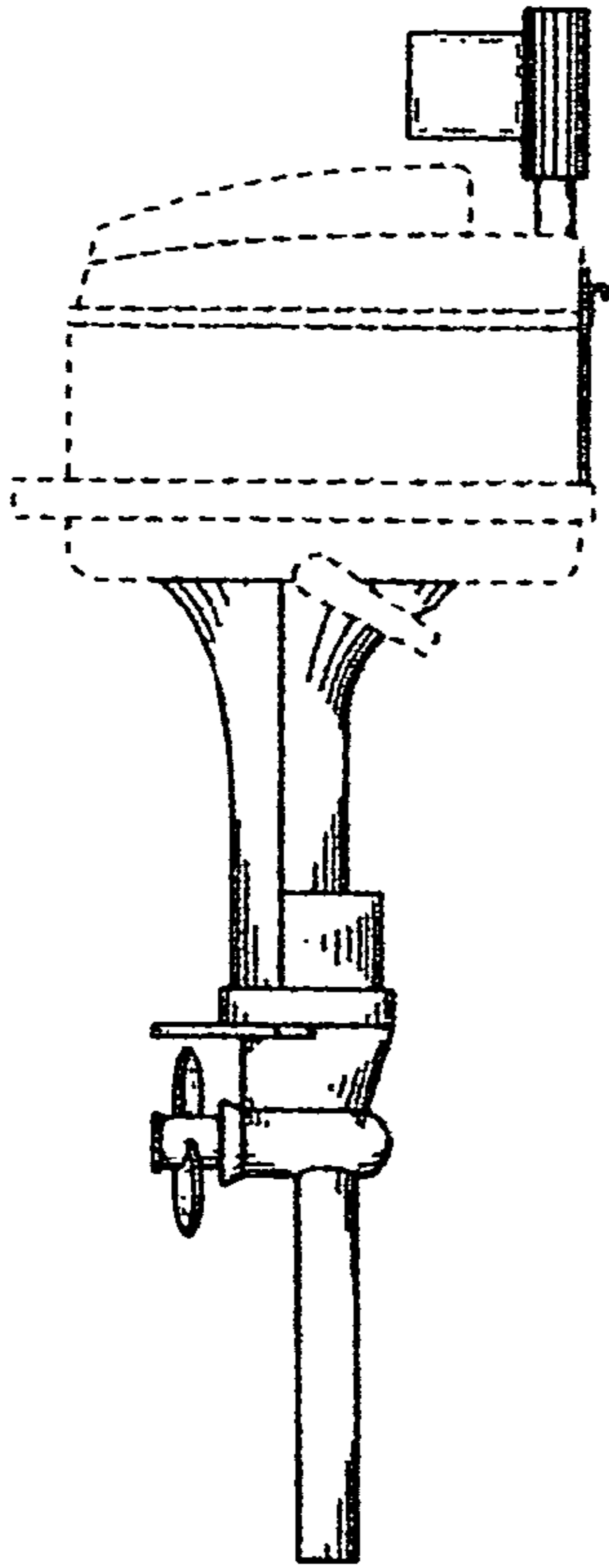


FIG. 4

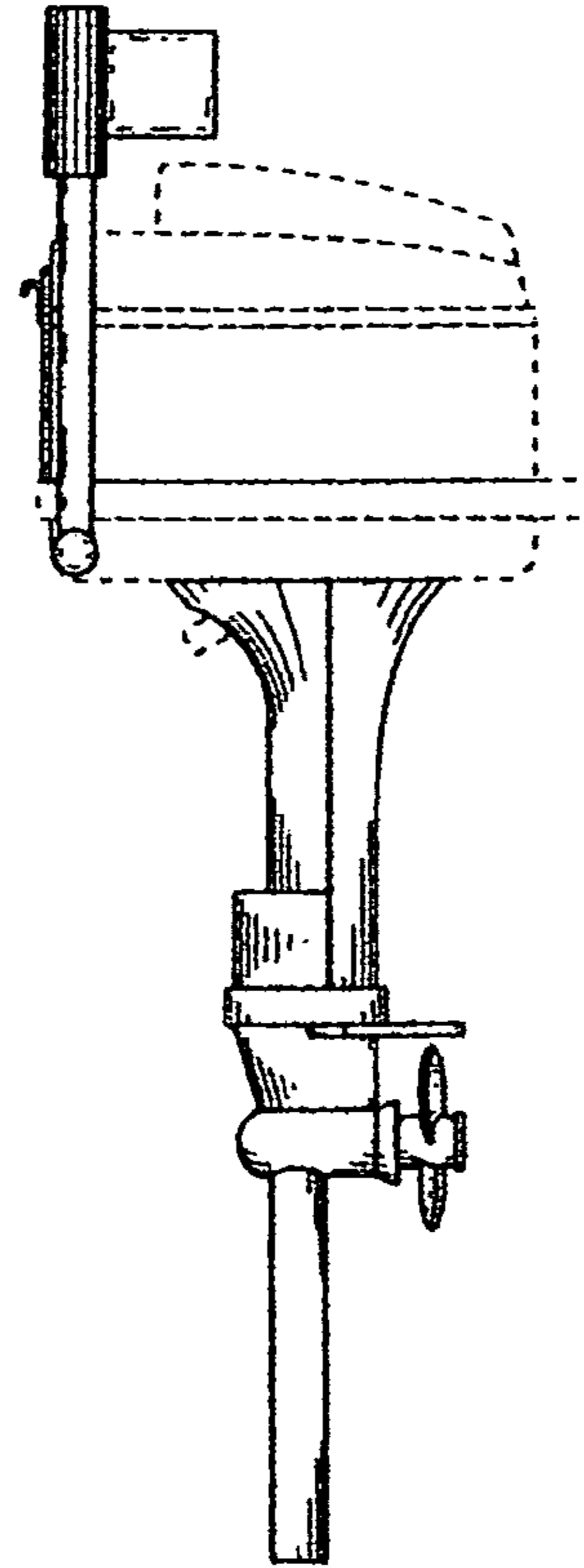


FIG. 5

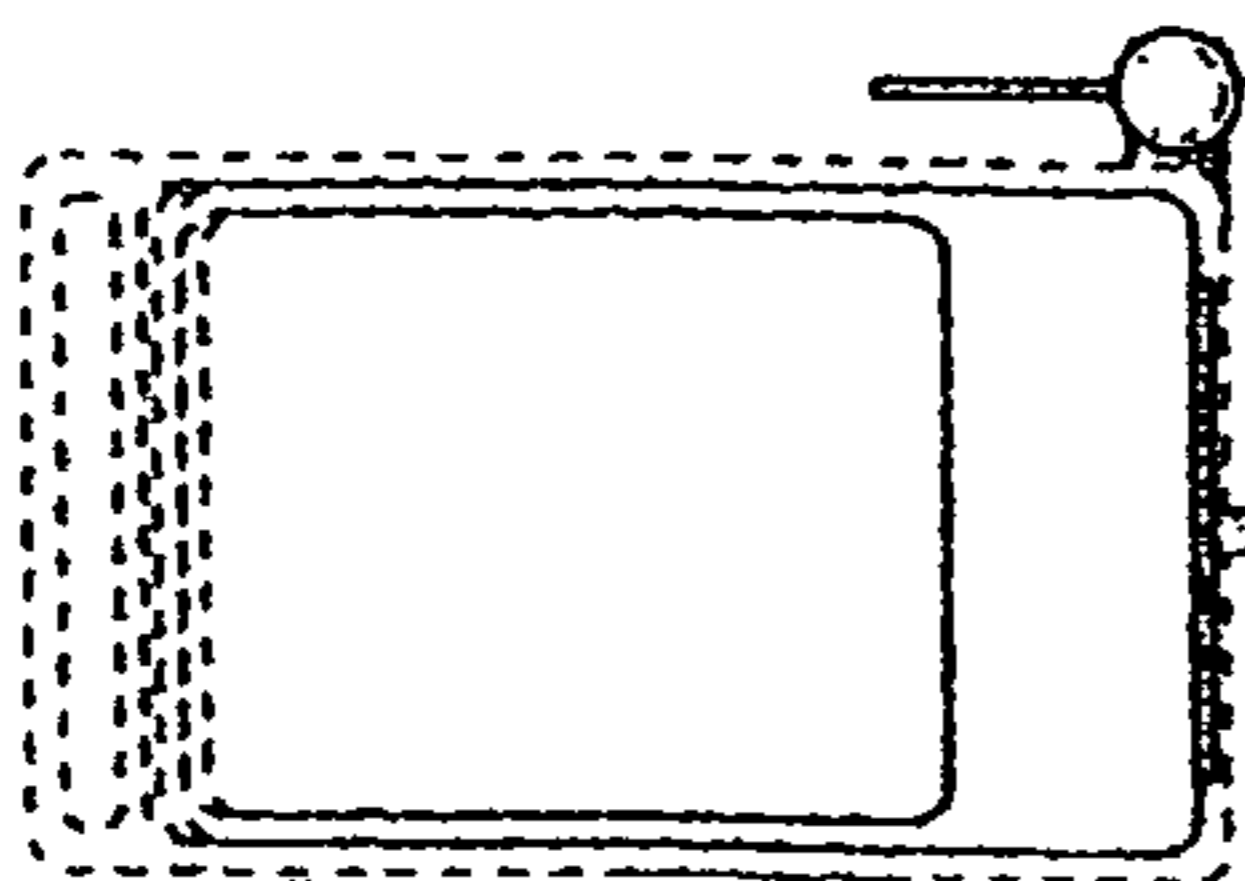


FIG. 6

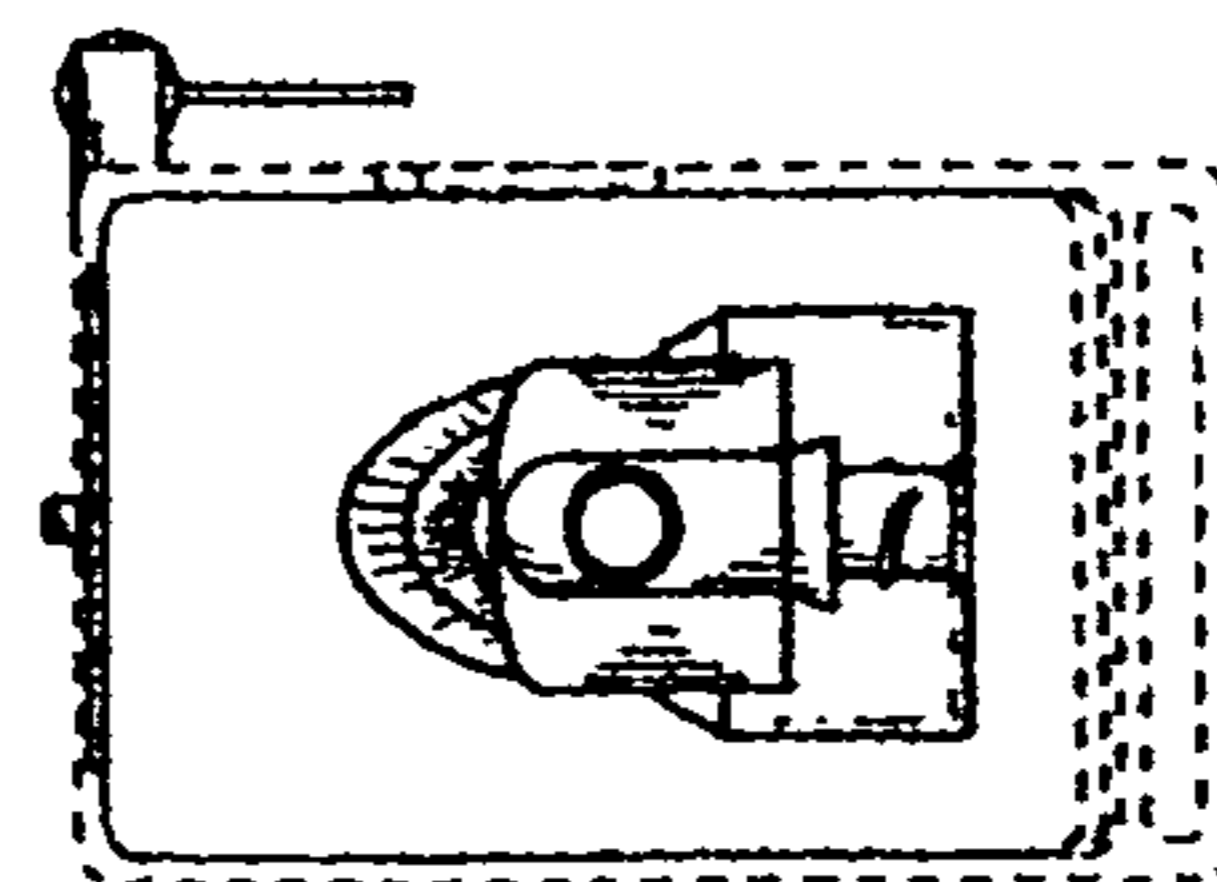


FIG. 7

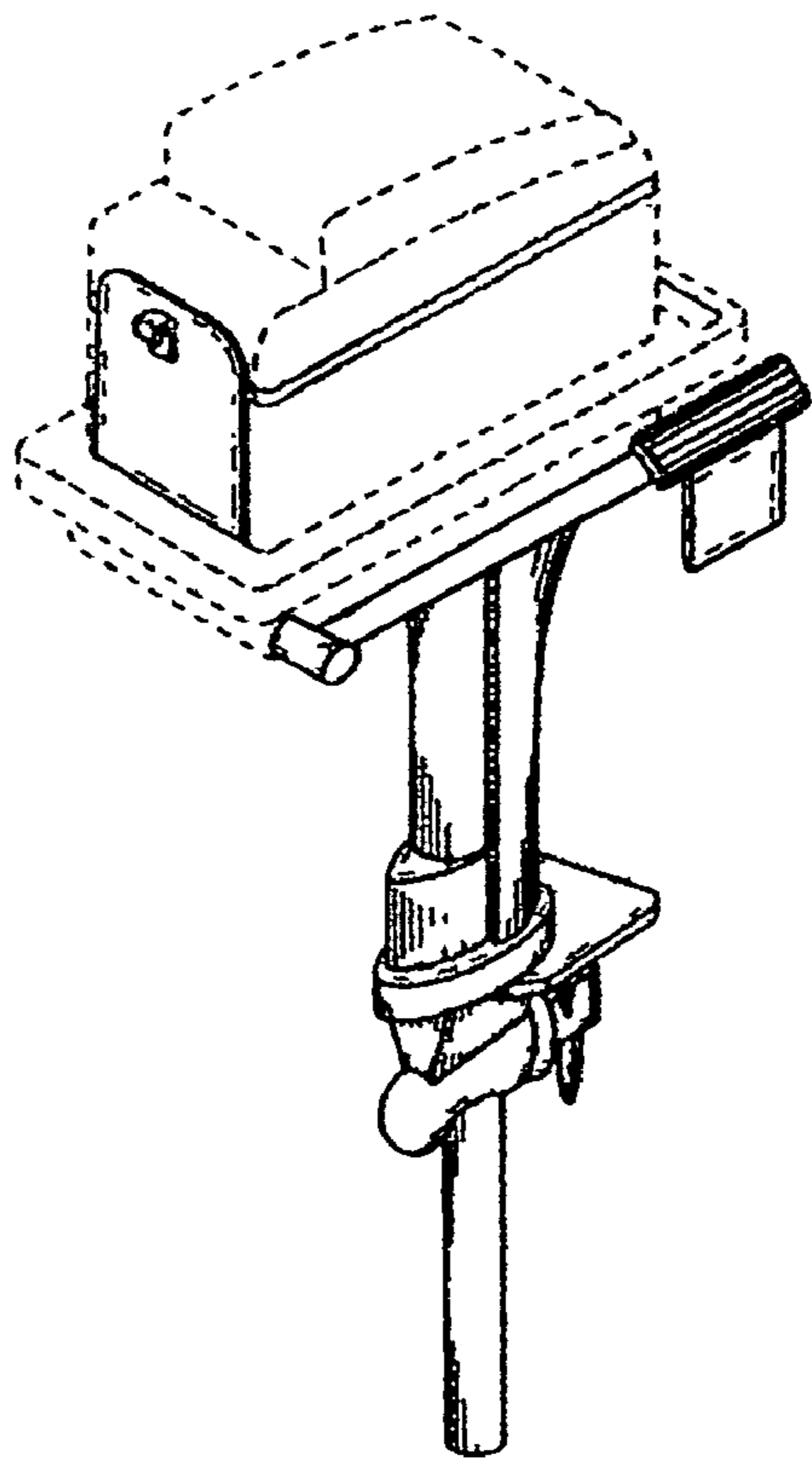


FIG. 8