



US00D679473S

(12) **United States Design Patent**  
**Frenkel**

(10) **Patent No.:** **US D679,473 S**

(45) **Date of Patent:** **\*\* Apr. 2, 2013**

(54) **WHEELBARROW RIM**

(75) **Inventor:** **Moises Sheinberg Frenkel, Mexico City (MX)**

(73) **Assignee:** **Truper Herramientas, SA CE CV, Estado de Mexico (MX)**

(\*\*) **Term:** **14 Years**

(21) **Appl. No.:** **29/417,213**

(22) **Filed:** **Mar. 30, 2012**

(30) **Foreign Application Priority Data**

Sep. 30, 2011 (MX) ..... MX/f/2011/003229

(51) **LOC (9) Cl.** ..... **12-02**

(52) **U.S. Cl.** ..... **D34/27**

(58) **Field of Classification Search** ..... D34/27,  
D34/12-26; D12/211, 204, 205, 301, 209,  
D12/135; 280/282, DIG. 6, 653; 188/218 XL;  
298/3

See application file for complete search history.

(56) **References Cited**

**U.S. PATENT DOCUMENTS**

2,603,267 A 7/1952 Simpson  
3,791,432 A 2/1974 Calullerovich

D276,513 S \* 11/1984 Honsa ..... D12/501  
D327,048 S \* 6/1992 Markling et al. .... D12/204  
D514,048 S \* 1/2006 Sands ..... D12/209  
D542,499 S \* 5/2007 Liu ..... D34/27  
D625,069 S \* 10/2010 Maff ..... D34/10  
D640,439 S \* 6/2011 Morris ..... D34/27  
D649,321 S \* 11/2011 Hatcher et al. .... D34/27  
D659,934 S \* 5/2012 Hatcher et al. .... D34/27

\* cited by examiner

*Primary Examiner* — Cynthia Ramirez

(74) *Attorney, Agent, or Firm* — Levenfeld Pearlstein, LLC

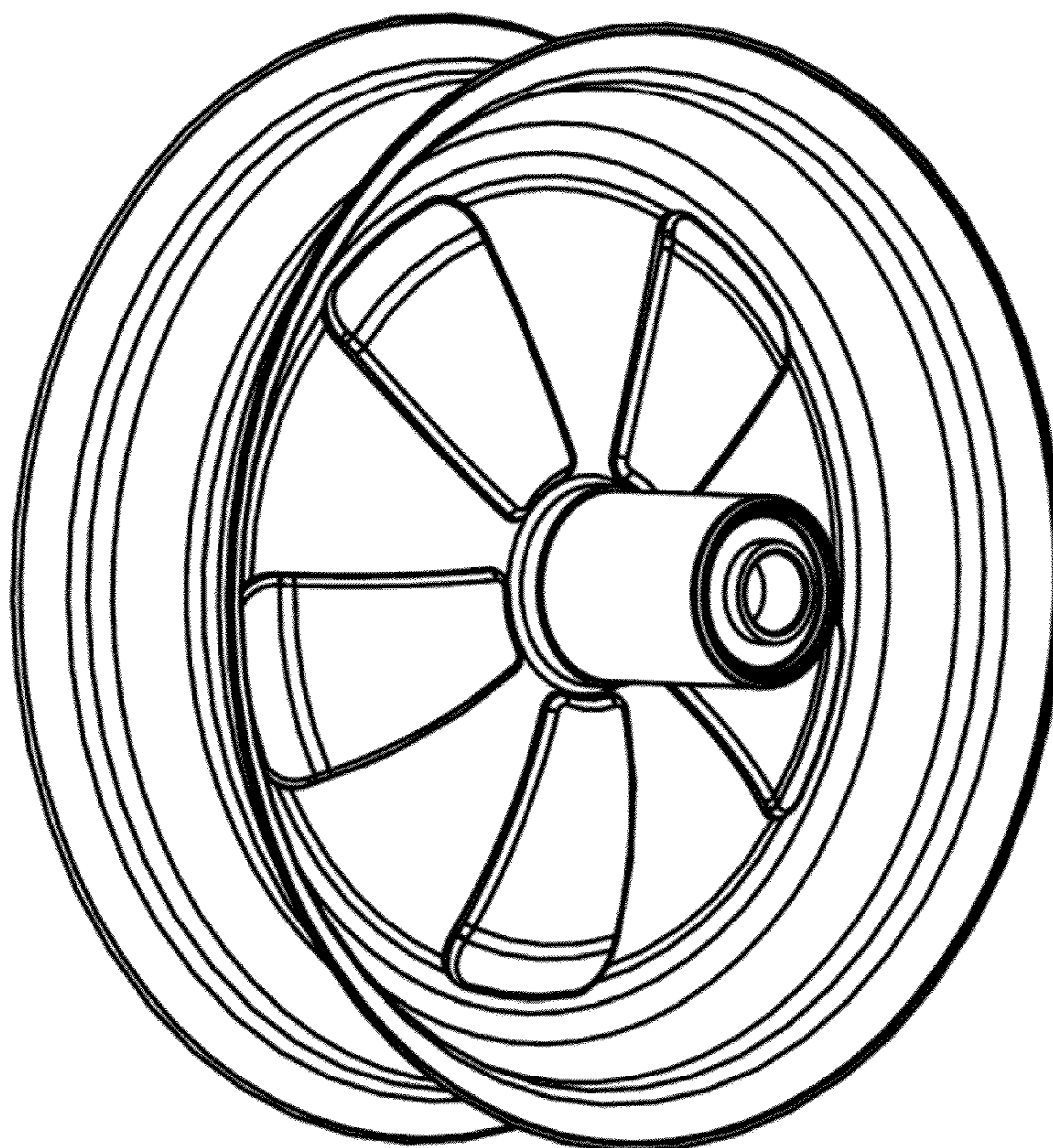
(57) **CLAIM**

The ornamental design for a wheelbarrow rim, as shown and described.

**DESCRIPTION**

FIG. 1 is a front perspective view of a wheelbarrow rim embodying my new design;  
FIG. 2 is a front view thereof;  
FIG. 3 is a rear view thereof;  
FIG. 4 is a side sectional view thereof; and,  
FIG. 5 is a top sectional view thereof.

**1 Claim, 5 Drawing Sheets**



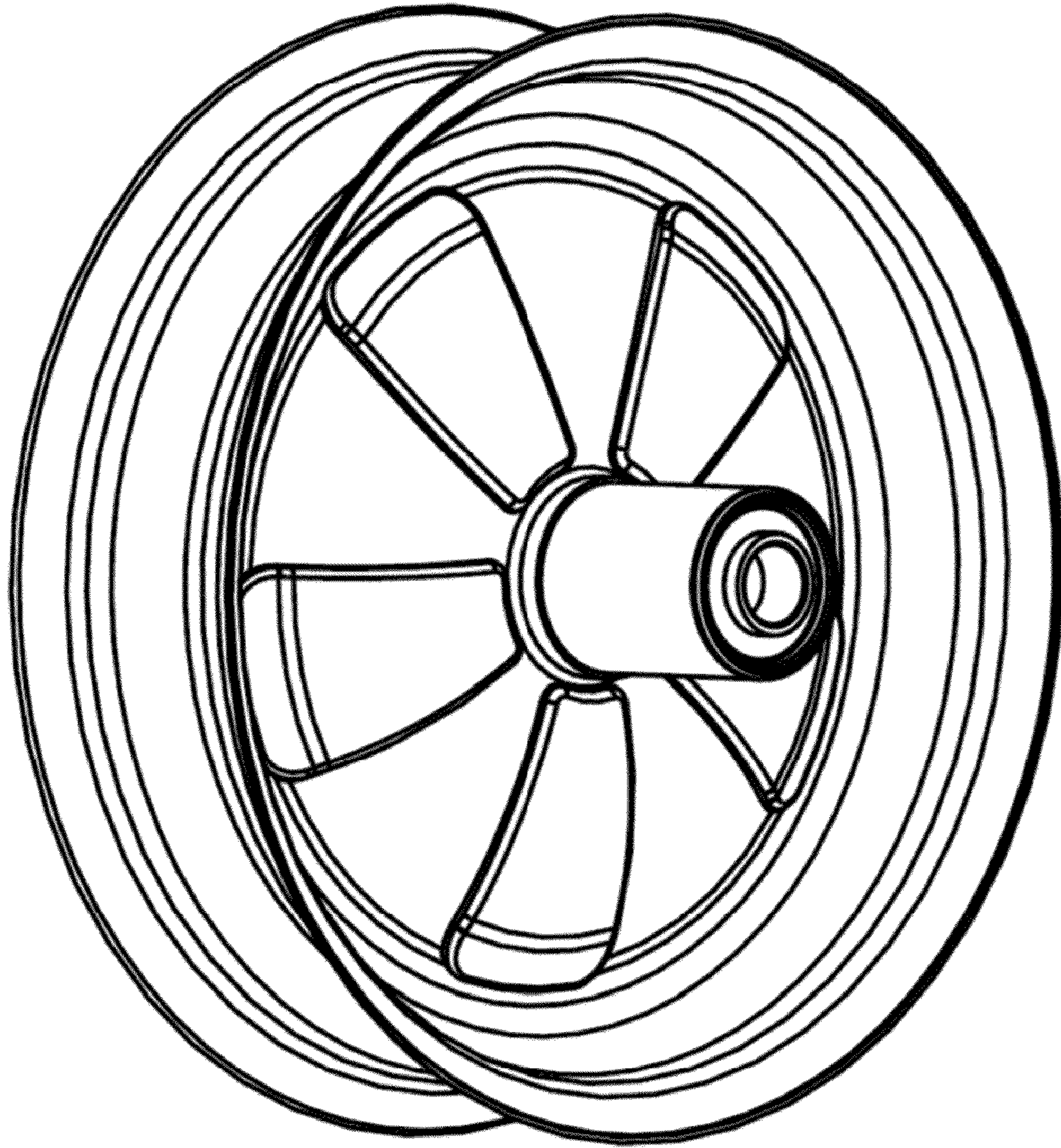


Fig. 1

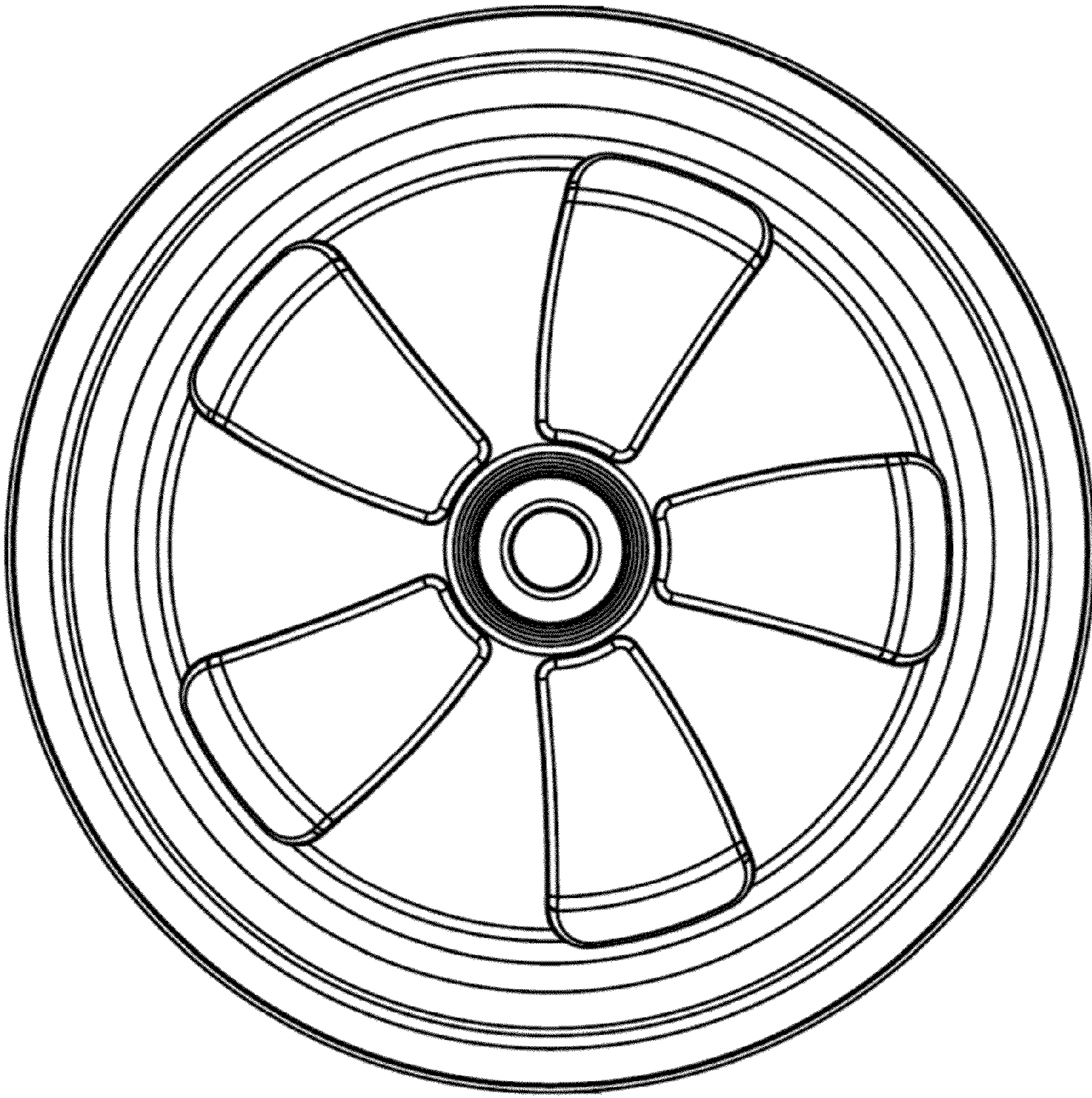


Fig. 2

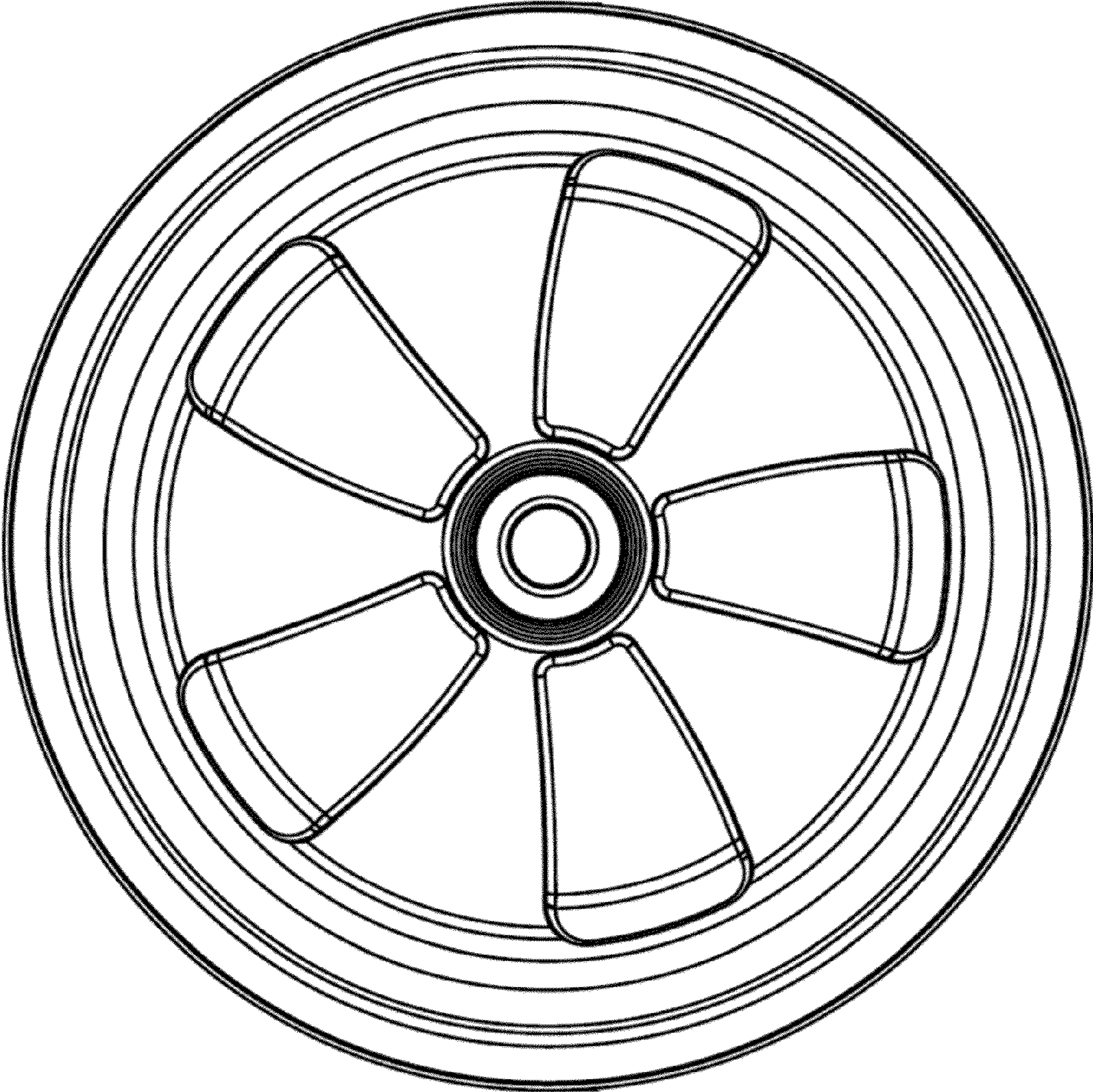


Fig. 3

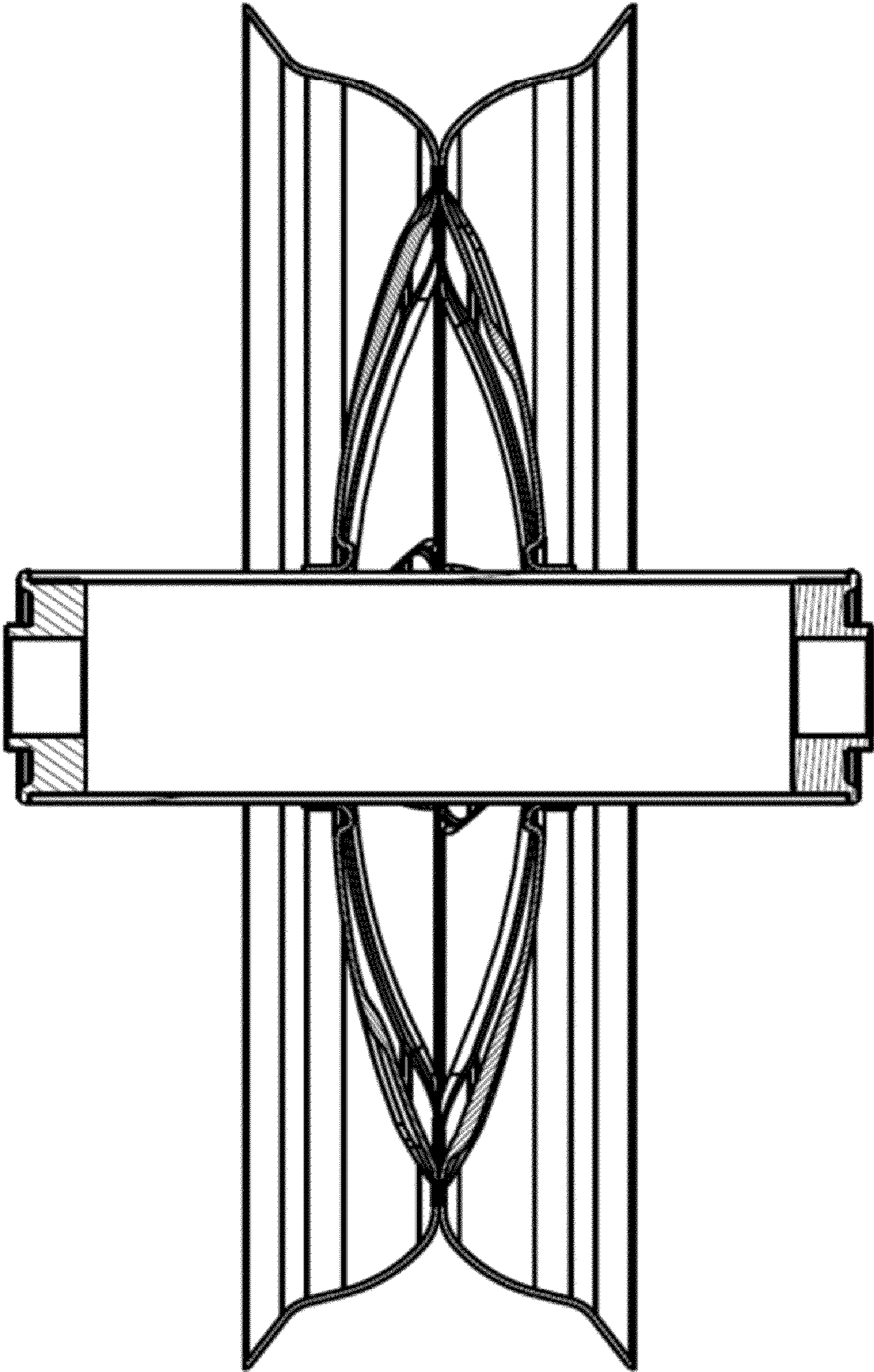


Fig. 4

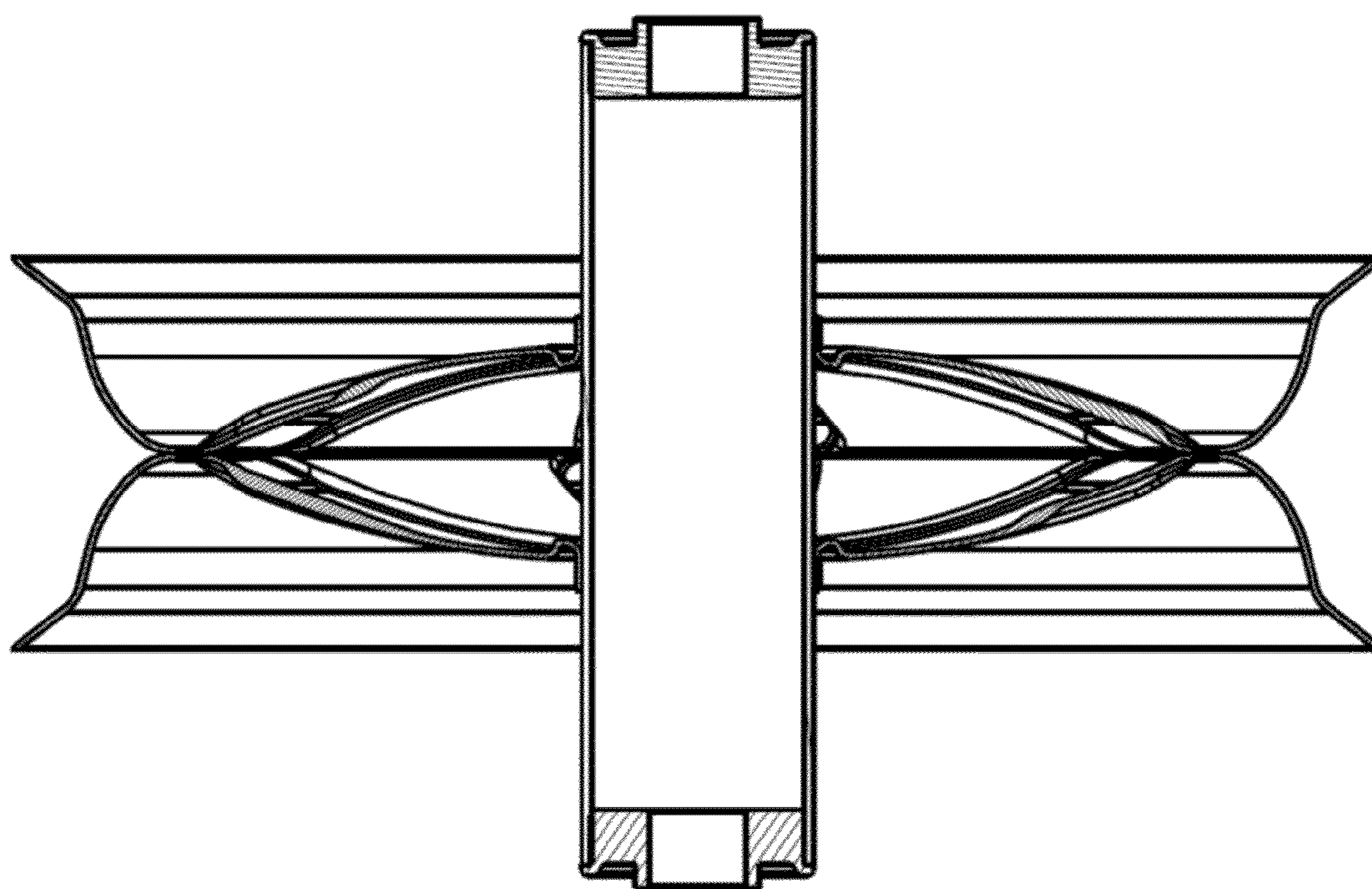


Fig. 5

UNITED STATES PATENT AND TRADEMARK OFFICE  
**CERTIFICATE OF CORRECTION**

PATENT NO. : D679,473 S  
APPLICATION NO. : 29/417213  
DATED : April 2, 2013  
INVENTOR(S) : Frenkel

Page 1 of 1

It is certified that error appears in the above-identified patent and that said Letters Patent is hereby corrected as shown below:

Title Page

(73) Assignee: should read as follows, Truper Herramientas, SA DE CV

Signed and Sealed this  
Twenty-fourth Day of June, 2014



Michelle K. Lee  
*Deputy Director of the United States Patent and Trademark Office*