



US00D679472S

(12) **United States Design Patent**
Halsted

(10) **Patent No.:** **US D679,472 S**

(45) **Date of Patent:** **** Apr. 2, 2013**

(54) **WHEEL FOR WHEELBARROWS OR OTHER IMPLEMENTS THAT ARE MANHANDLED**

(75) Inventor: **Charles William Halsted, Sandton (ZA)**

(73) Assignee: **Vecto Trade 461 (Proprietary) Limited, Gauteng Province (ZA)**

(**) Term: **14 Years**

(21) Appl. No.: **29/413,229**

(22) Filed: **Feb. 13, 2012**

(30) **Foreign Application Priority Data**

Aug. 15, 2011 (ZA) A2011/01181

(51) **LOC (9) Cl.** **12-02**

(52) **U.S. Cl.** **D34/27**

(58) **Field of Classification Search** D34/12-27;
D12/211, 204, 205, 301, 209, 135; 280/282,
280/DIG. 6, 653; 188/218 XL; 298/3

See application file for complete search history.

(56) **References Cited**

U.S. PATENT DOCUMENTS

D327,048 S *	6/1992	Markling et al.	D12/204
D444,283 S *	6/2001	Konkle	D34/27
D481,342 S *	10/2003	Kang	D12/209
D525,407 S *	7/2006	Auberger	D34/16
D542,499 S *	5/2007	Liu	D34/27
D608,712 S *	1/2010	Pollmann	D12/209

D617,710 S *	6/2010	Ectors et al.	D12/209
D625,070 S *	10/2010	Maff	D34/10
D649,321 S *	11/2011	Hatcher et al.	D34/27
D654,652 S *	2/2012	Hatcher et al.	D34/27
D658,561 S *	5/2012	Foose	D12/209
D659,934 S *	5/2012	Hatcher et al.	D34/27
D664,488 S *	7/2012	Guille	D12/209
D667,355 S *	9/2012	Gotschke	D12/209

* cited by examiner

Primary Examiner — Cynthia Ramirez

(74) *Attorney, Agent, or Firm* — Foley & Lardner, LLP

(57) **CLAIM**

The ornamental design for a wheel for wheelbarrows or other implements that are manhandled, as shown and described.

DESCRIPTION

FIG. 1 is a three-dimensional view of a wheel for wheelbarrows or other implements that are manhandled showing my new design;

FIG. 2 is an axial view of the wheel for wheelbarrow or other implements that are manhandled of FIG. 1;

FIG. 3 is an opposite axial view of the wheel for wheelbarrow or other implements that are manhandled of FIG. 1;

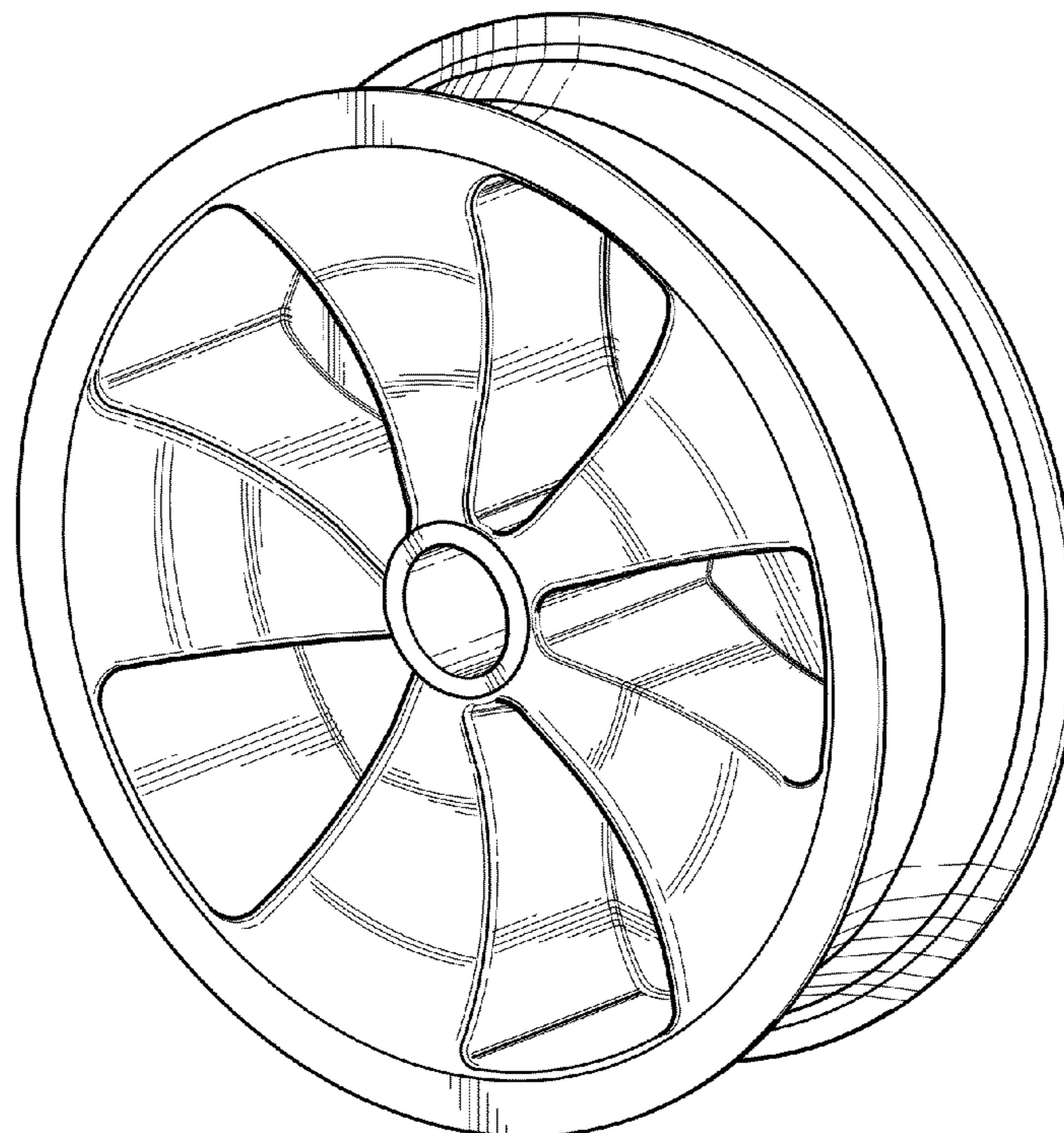
FIG. 4 is a radial view of the wheel for wheelbarrow or other implements that are manhandled of FIG. 1;

FIG. 5 is another radial view of the wheel for wheelbarrow or other implements that are manhandled of FIG. 1;

FIG. 6 is a further radial view of the wheel for wheelbarrow or other implements that are manhandled of FIG. 1; and,

FIG. 7 is yet a further radial view of the wheel for wheelbarrow or other implements that are manhandled of FIG. 1.

1 Claim, 4 Drawing Sheets



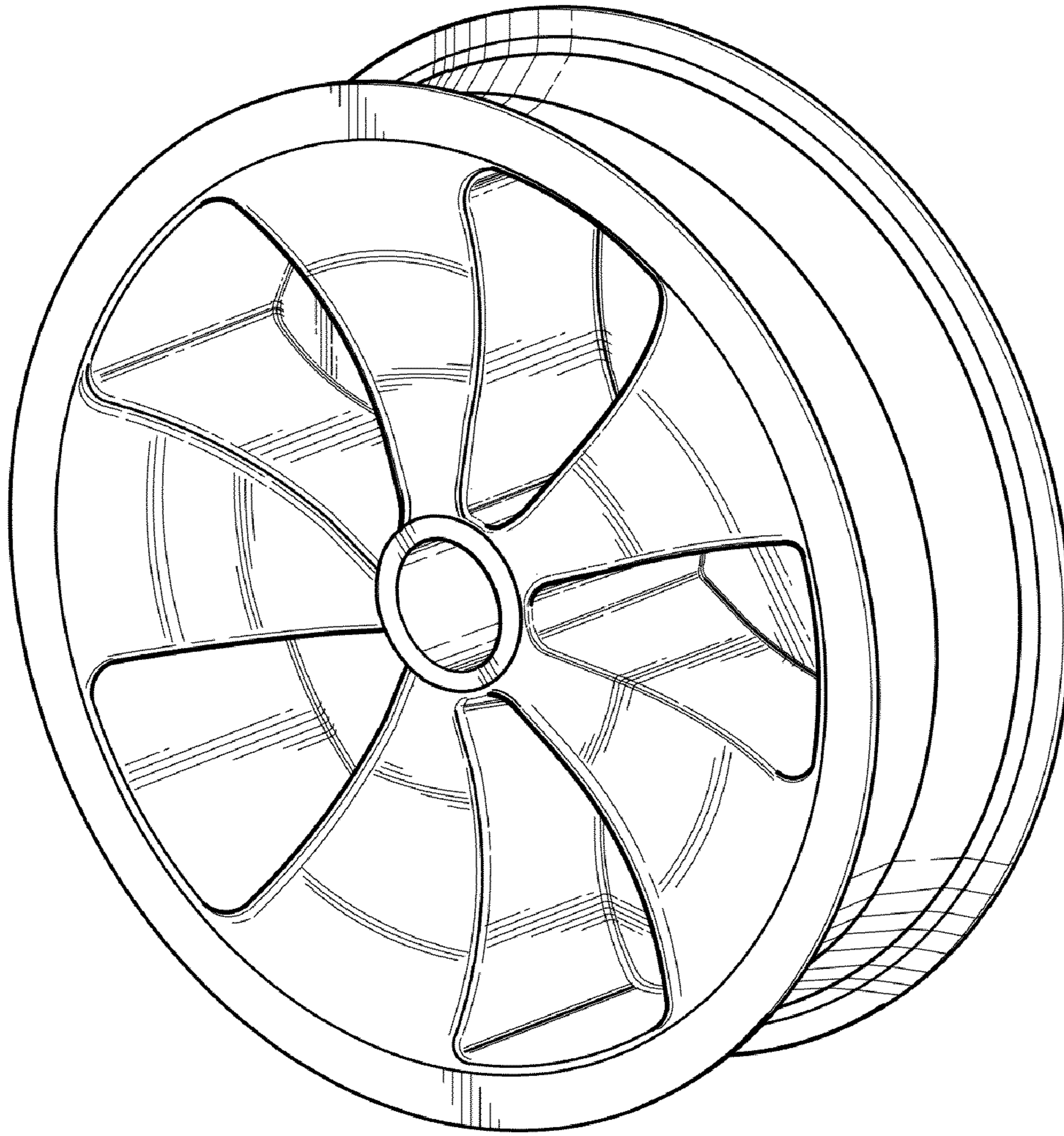


FIG 1

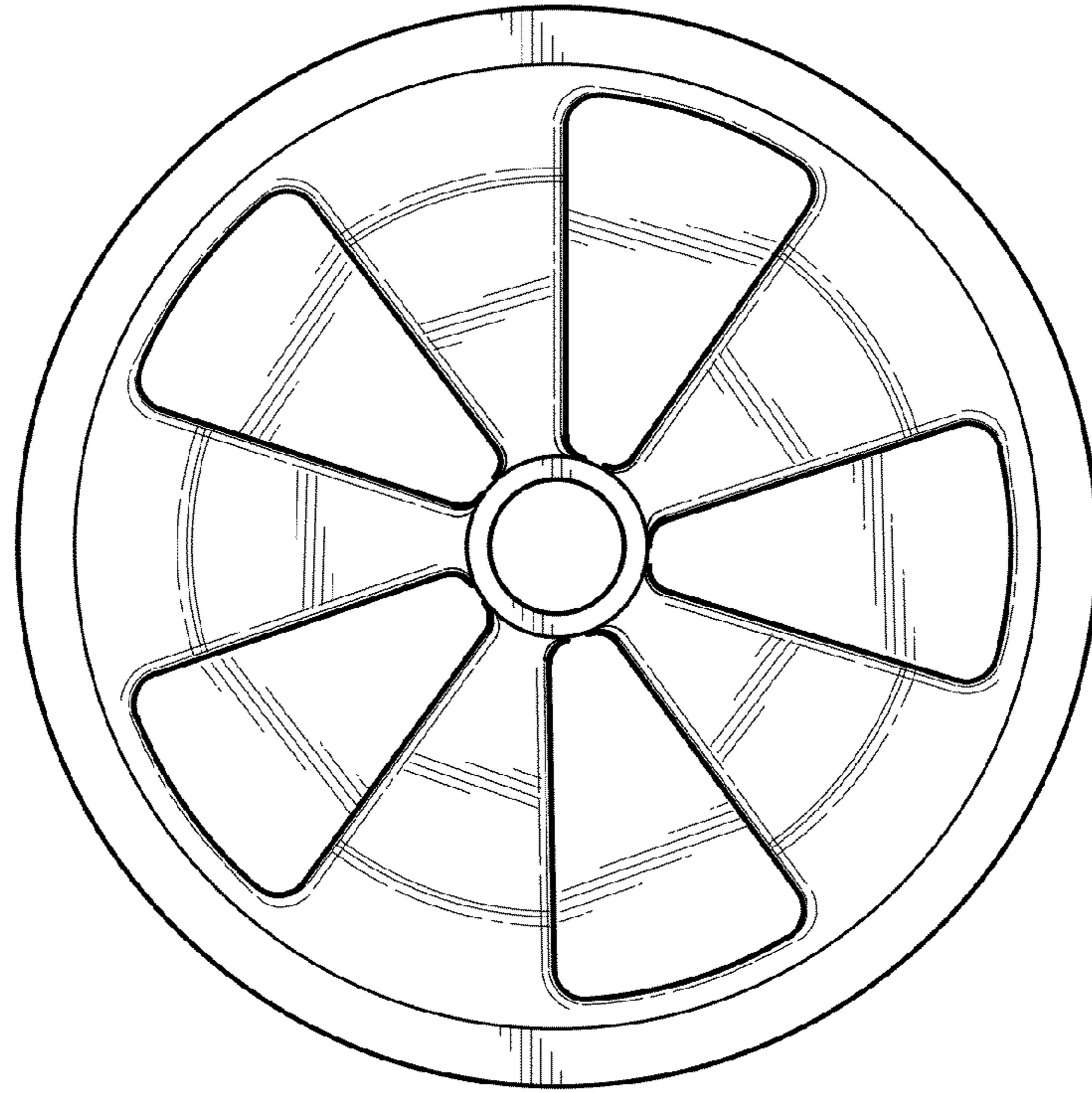


FIG 2

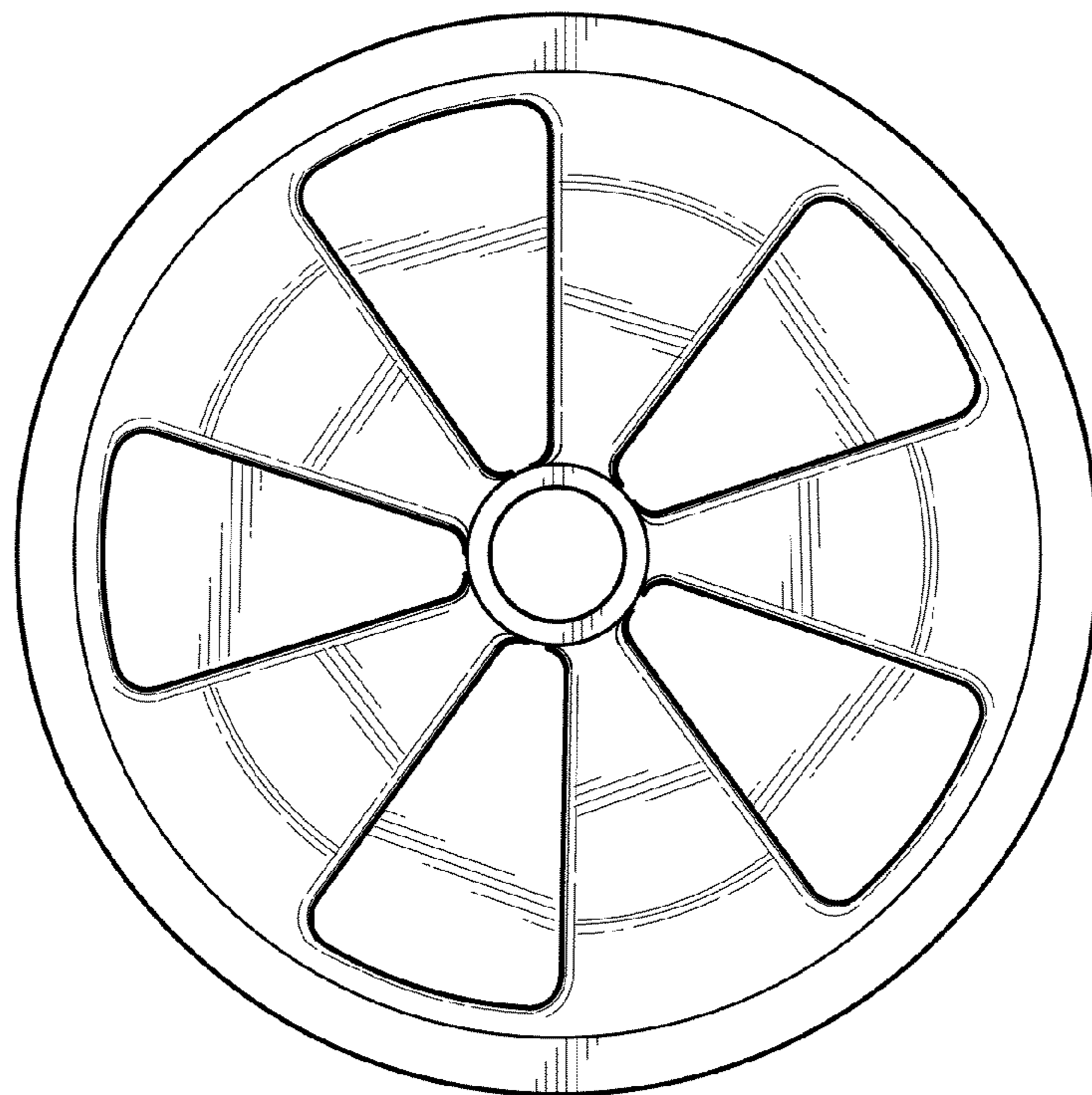


FIG 3

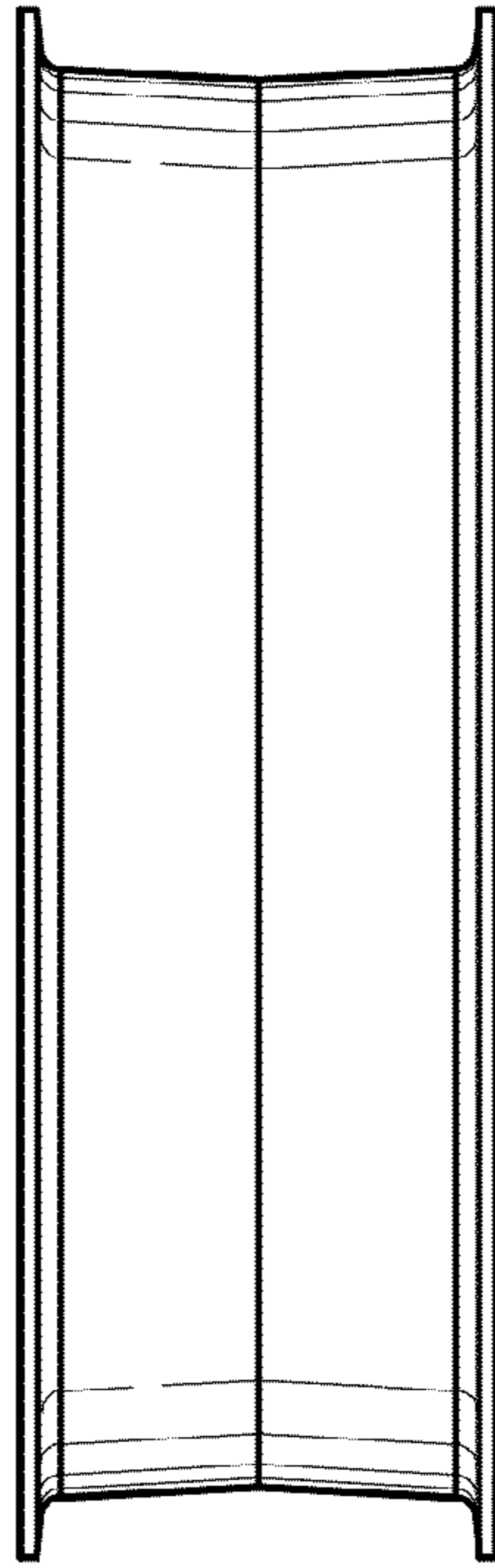


FIG 4

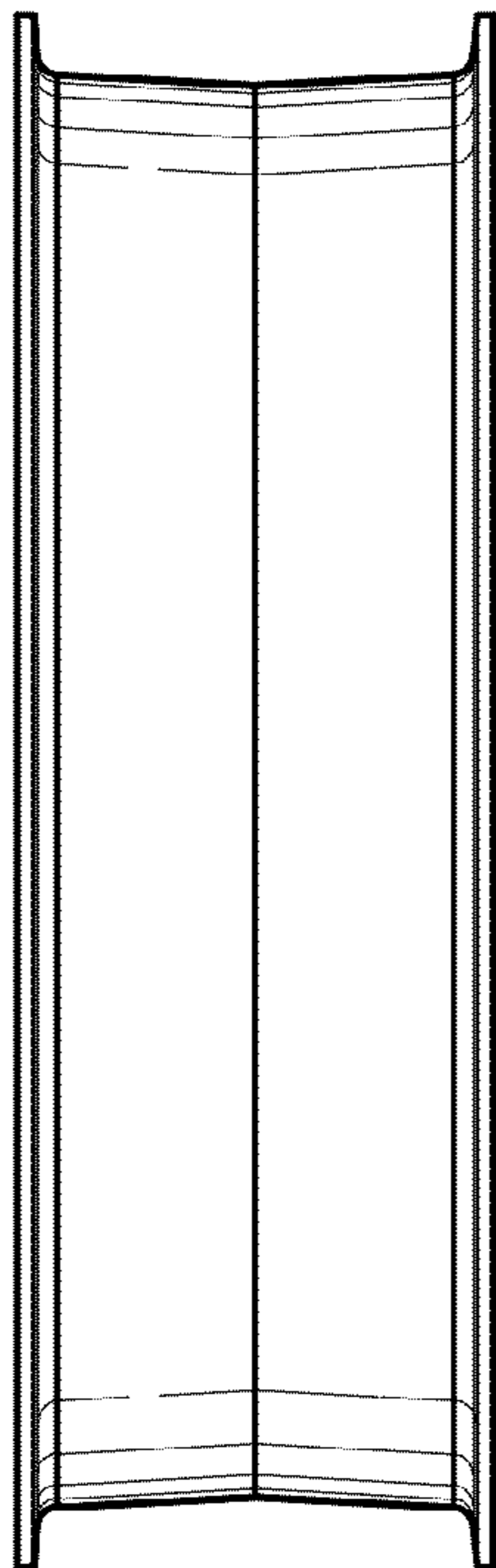


FIG 5

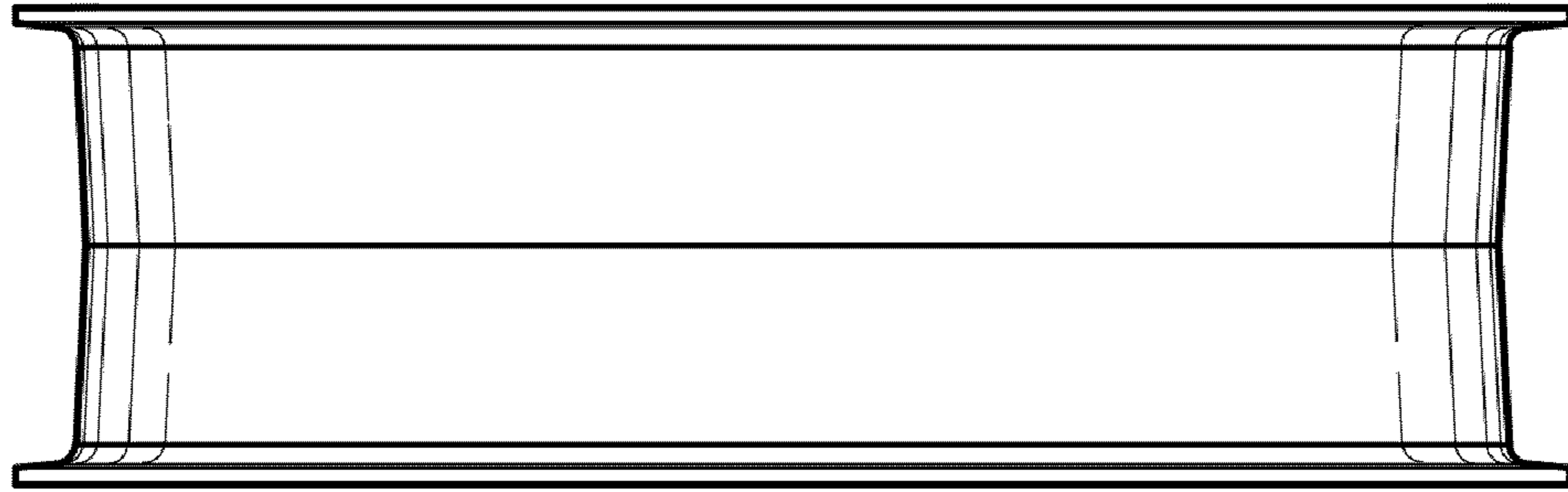


FIG 6

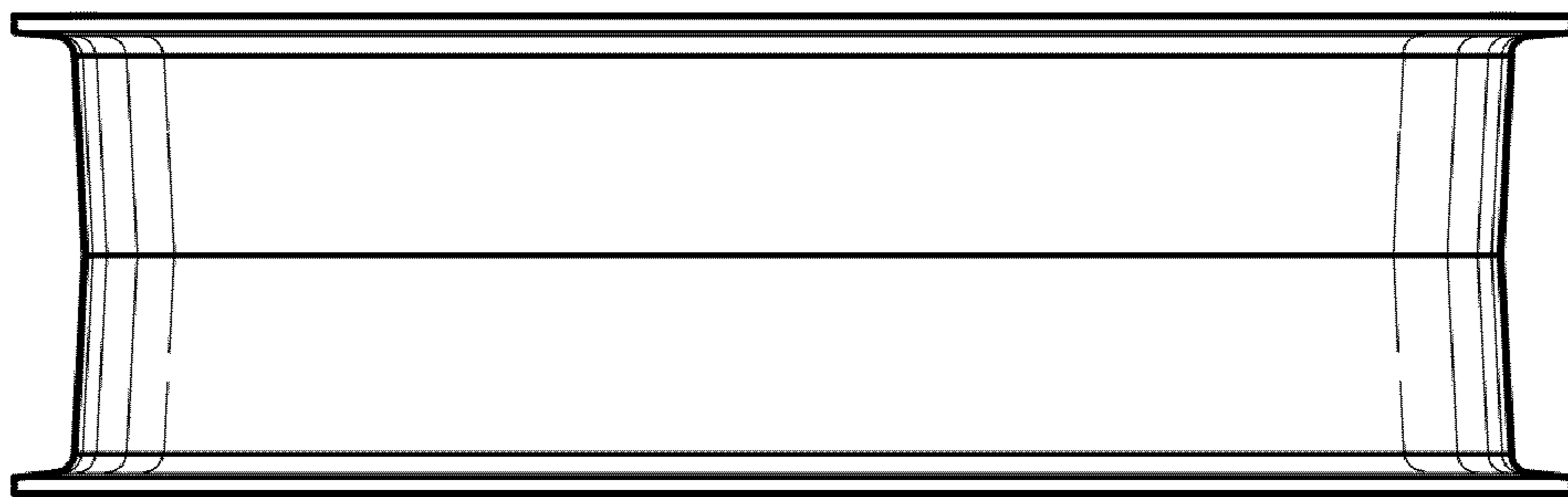


FIG 7