



US00D679469S

(12) **United States Design Patent**
Es

(10) **Patent No.:** **US D679,469 S**

(45) **Date of Patent:** **** Apr. 2, 2013**

(54) **ROLLING CART WITH WREATH BAR**

(76) Inventor: **Anton Van Es**, Beamsville (CA)

(**) Term: **14 Years**

(21) Appl. No.: **29/420,100**

(22) Filed: **May 4, 2012**

(51) **LOC (9) Cl.** **12-02**

(52) **U.S. Cl.** **D34/21**

(58) **Field of Classification Search** D34/12-27;
280/47.19, 47.24, 79.11; 248/302, 303; 211/13.1,
211/74, 60.1; D6/464, 465, 463, 411
See application file for complete search history.

(56) **References Cited**

U.S. PATENT DOCUMENTS

D182,483	S	*	4/1958	Skinner	D34/21
4,976,360	A	*	12/1990	Zucker et al.	211/186
D315,459	S	*	3/1991	Young et al.	D6/465
D491,330	S	*	6/2004	Violo	D34/21

D526,104	S	*	8/2006	Van Es	D34/21
D526,105	S	*	8/2006	Van Es	D34/21
D527,857	S	*	9/2006	Van Es	D34/21

* cited by examiner

Primary Examiner — Cynthia Ramirez

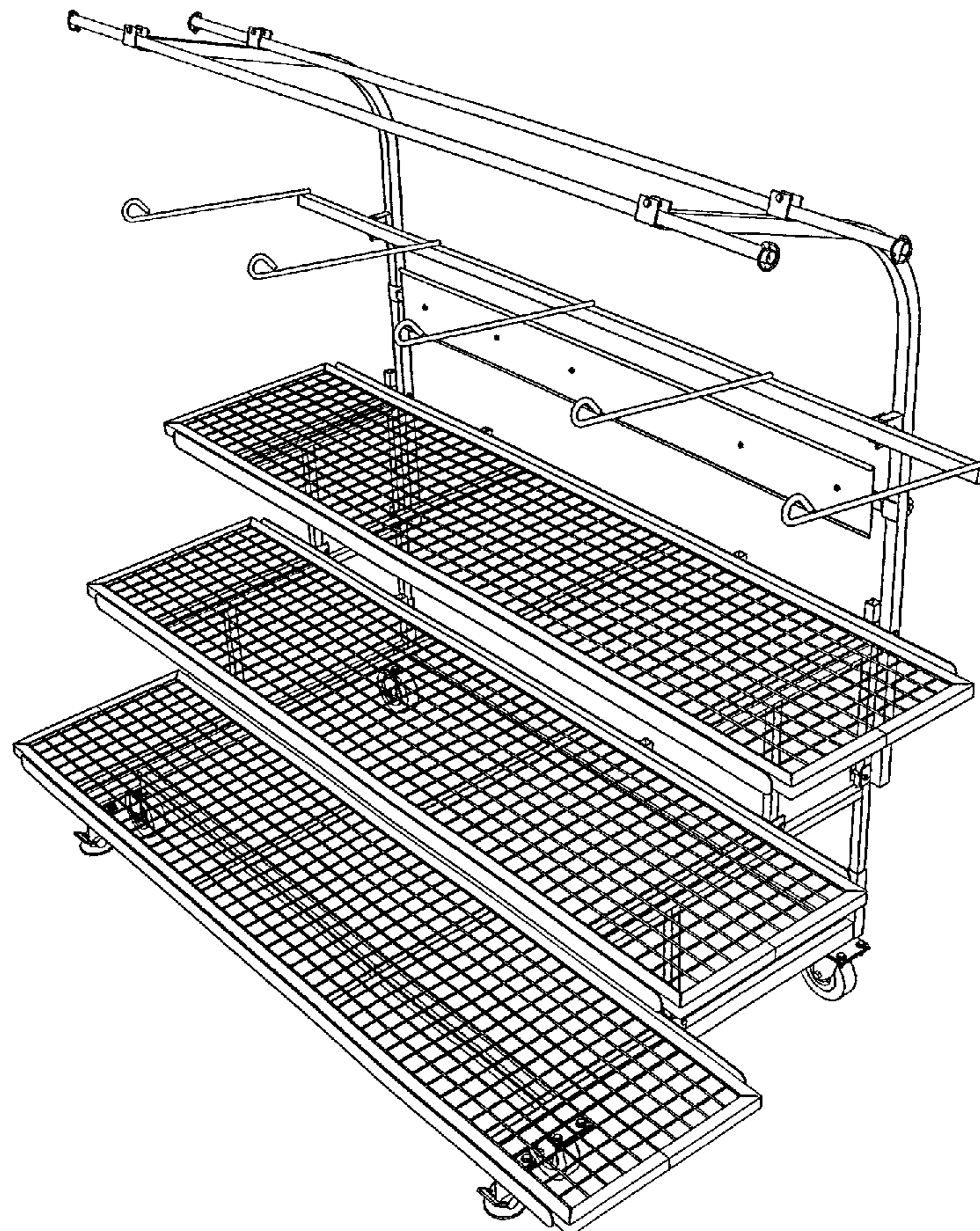
(57) **CLAIM**

The ornamental design for a rolling cart with wreath bar, as shown and described.

DESCRIPTION

FIG. 1 is a right side, top and front perspective view of the rolling cart with wreath bar of the present design; FIG. 2 is a front plan view of the rolling cart with wreath bar of the present design shown in FIG. 1. FIG. 3 is a left end elevational view of the rolling cart with wreath bar of the present design shown in FIG. 1. FIG. 4 is a rear plan view of the rolling cart with wreath bar of the present design shown in FIG. 1; and, FIG. 5 is a top plan view of the rolling cart with wreath bar of the present design shown in FIG. 1.

1 Claim, 5 Drawing Sheets



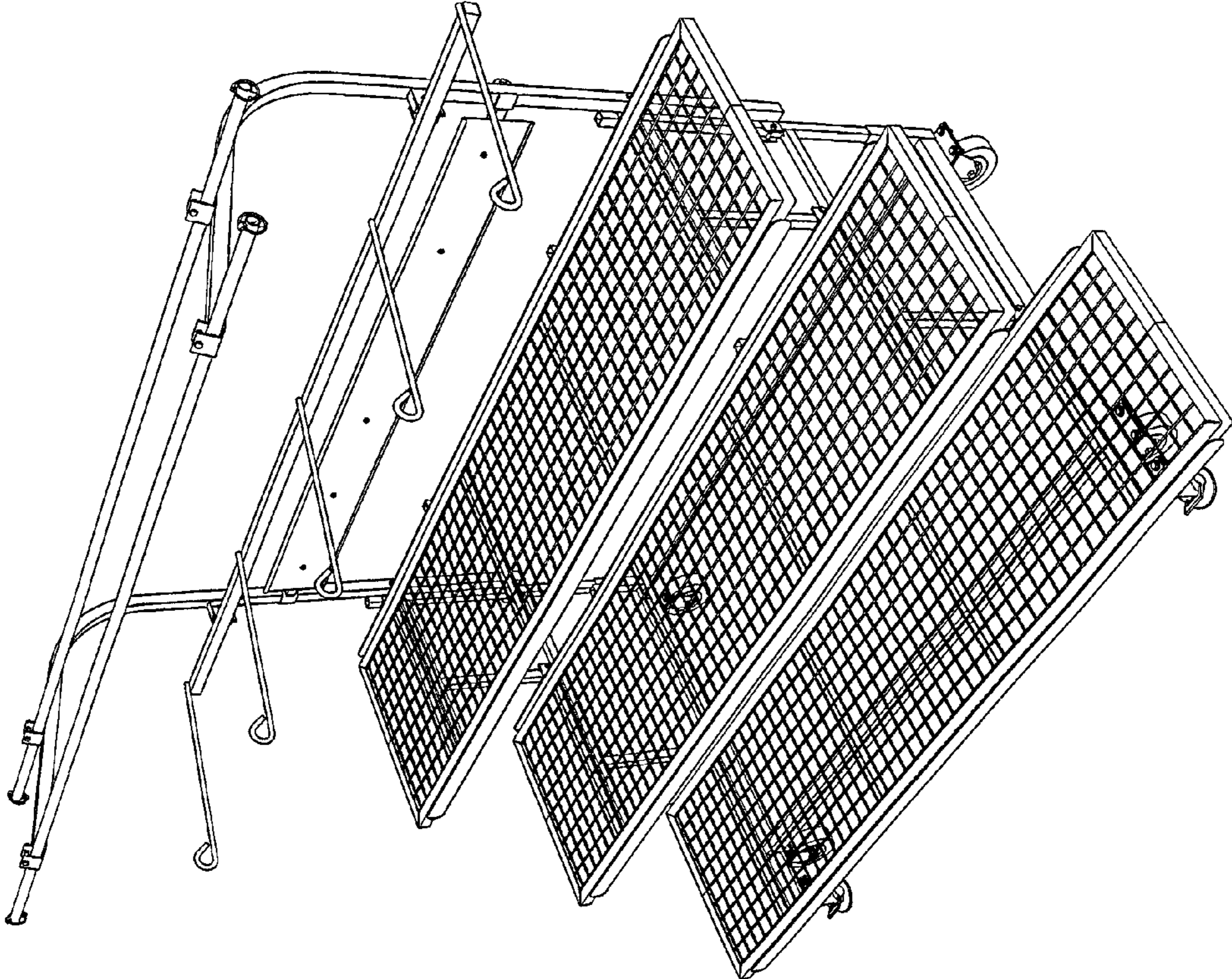


FIGURE 1

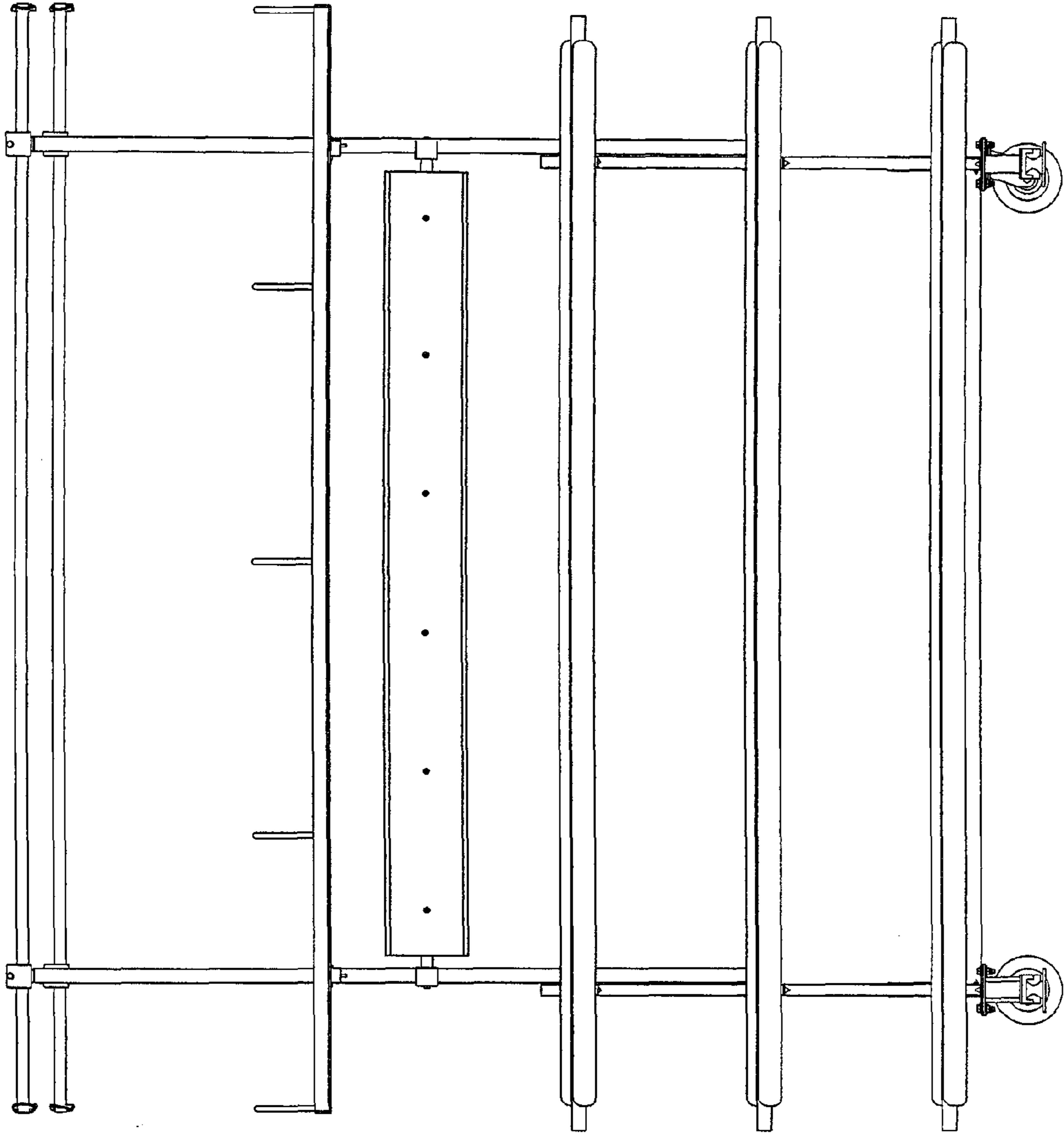


FIGURE 2

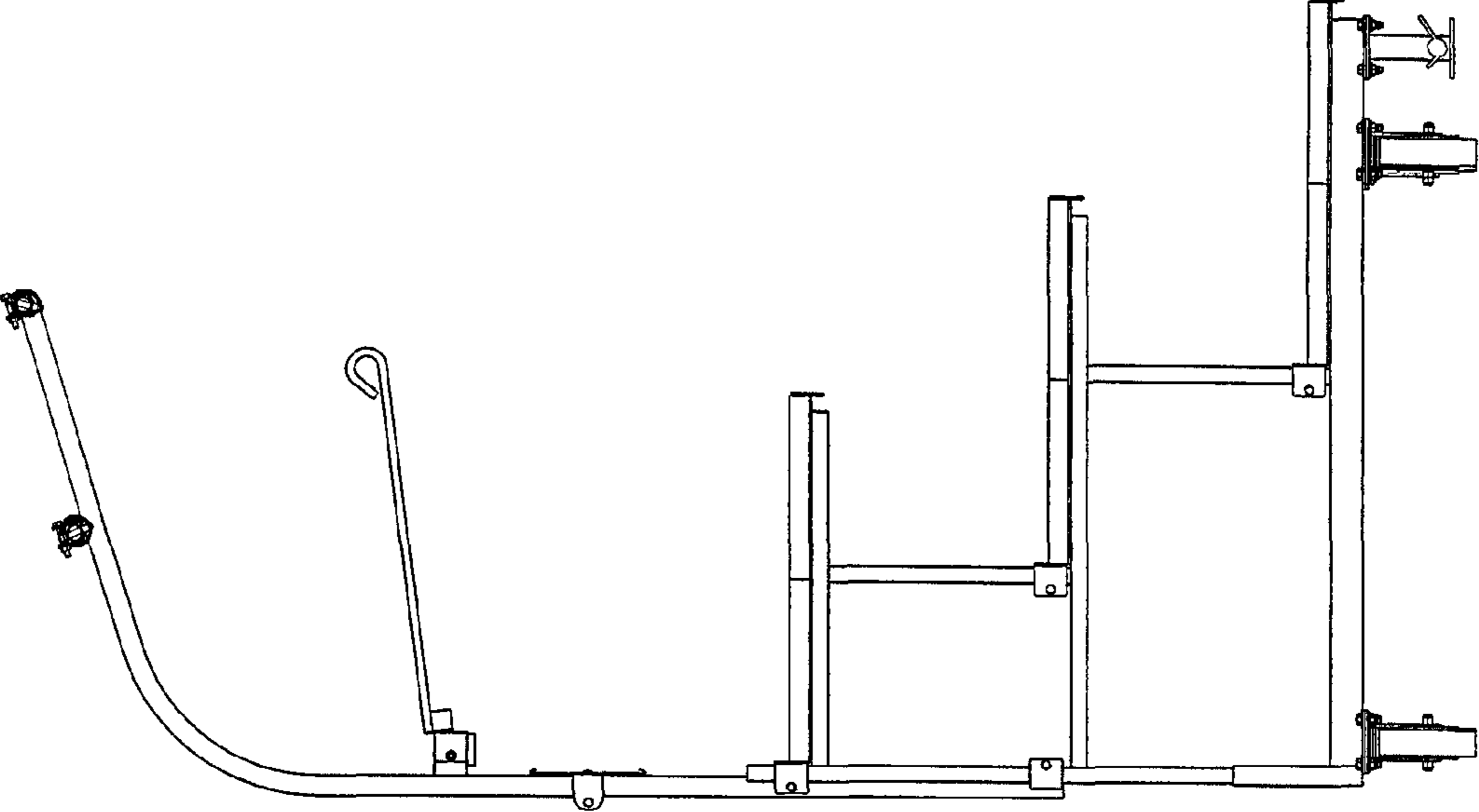


FIGURE 3

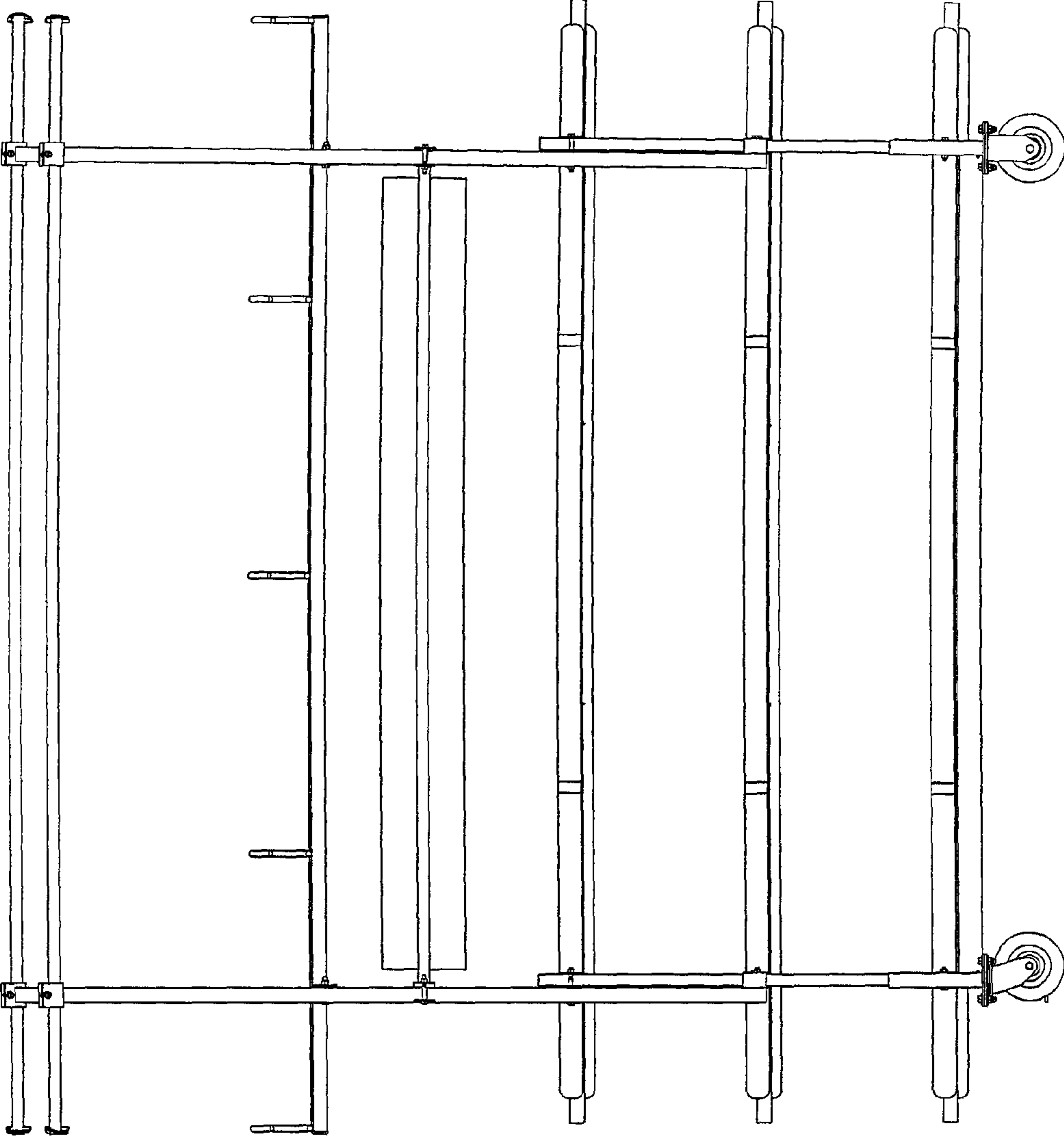


FIGURE 4

FIGURE 5

