



US00D679466S

(12) **United States Design Patent**
McCullough

(10) **Patent No.:** **US D679,466 S**

(45) **Date of Patent:** **** Apr. 2, 2013**

(54) **CARRIER**

(76) **Inventor:** **Clarence Cornelious McCullough,**
Madison, MS (US)

(**) **Term:** **14 Years**

(21) **Appl. No.:** **29/426,930**

(22) **Filed:** **Jul. 11, 2012**

(51) **LOC (9) Cl.** **12-02**

(52) **U.S. Cl.** **D34/17**

(58) **Field of Classification Search** D34/12-27;
280/47.24, 47.26, 652, 79.11, 79.3, 79.2
See application file for complete search history.

(56) **References Cited**

U.S. PATENT DOCUMENTS

D180,016	S	*	4/1957	Frick	D34/23
3,494,667	A	*	2/1970	Schlapman et al.	298/5
D219,649	S	*	1/1971	Saleman	D34/17
D221,633	S	*	8/1971	Kotkowski	D34/23
D248,845	S	*	8/1978	White et al.	D34/17
D263,820	S	*	4/1982	Levenberg	D34/23
D426,928	S	*	6/2000	Pasin	D34/19
6,783,147	B1	*	8/2004	Green, Sr.	280/652

D536,499	S	*	2/2007	Lucht	D34/12
D566,925	S	*	4/2008	Wu	D34/17
2011/0025005	A1	*	2/2011	Howell	280/47.24

* cited by examiner

Primary Examiner — Cynthia Ramirez

(74) *Attorney, Agent, or Firm* — Christopher Wood; Premier Law Group, PLLC

(57) **CLAIM**

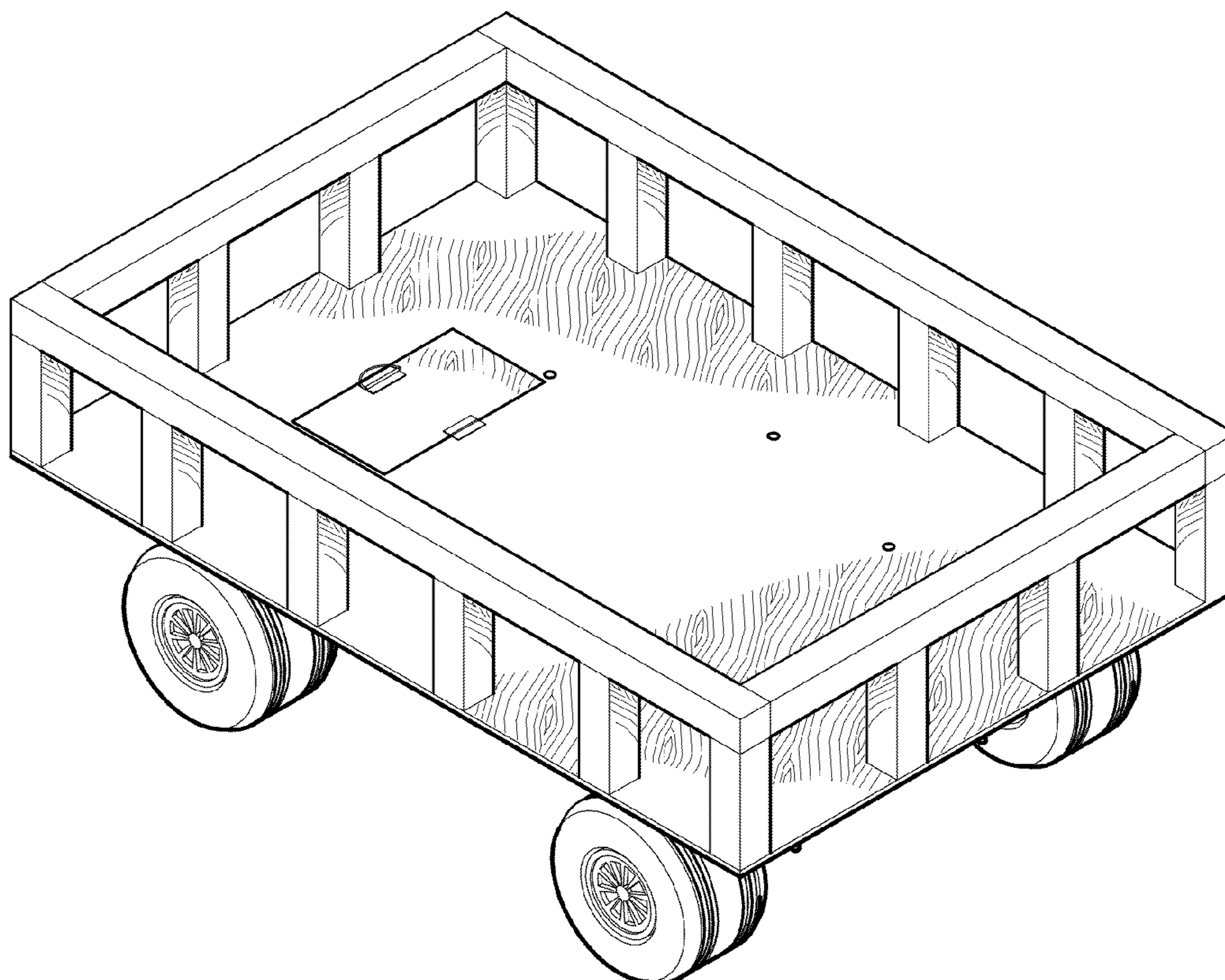
The ornamental design for a carrier, as shown and described.

DESCRIPTION

FIG. 1 is a perspective view of a carrier showing my new design;
FIG. 2 is a top elevation view thereof;
FIG. 3 is a bottom elevation view thereof;
FIG. 4 is a left side view thereof;
FIG. 5 is a right side view thereof;
FIG. 6 is a rear end view thereof; and,
FIG. 7 is a front end view thereof.

The surface wood-like shading shown in the figures is fragmentarily shown for convenience of illustration, it being understood that the wood-like shading is uniformly continued over the surface on which it appears.

1 Claim, 4 Drawing Sheets



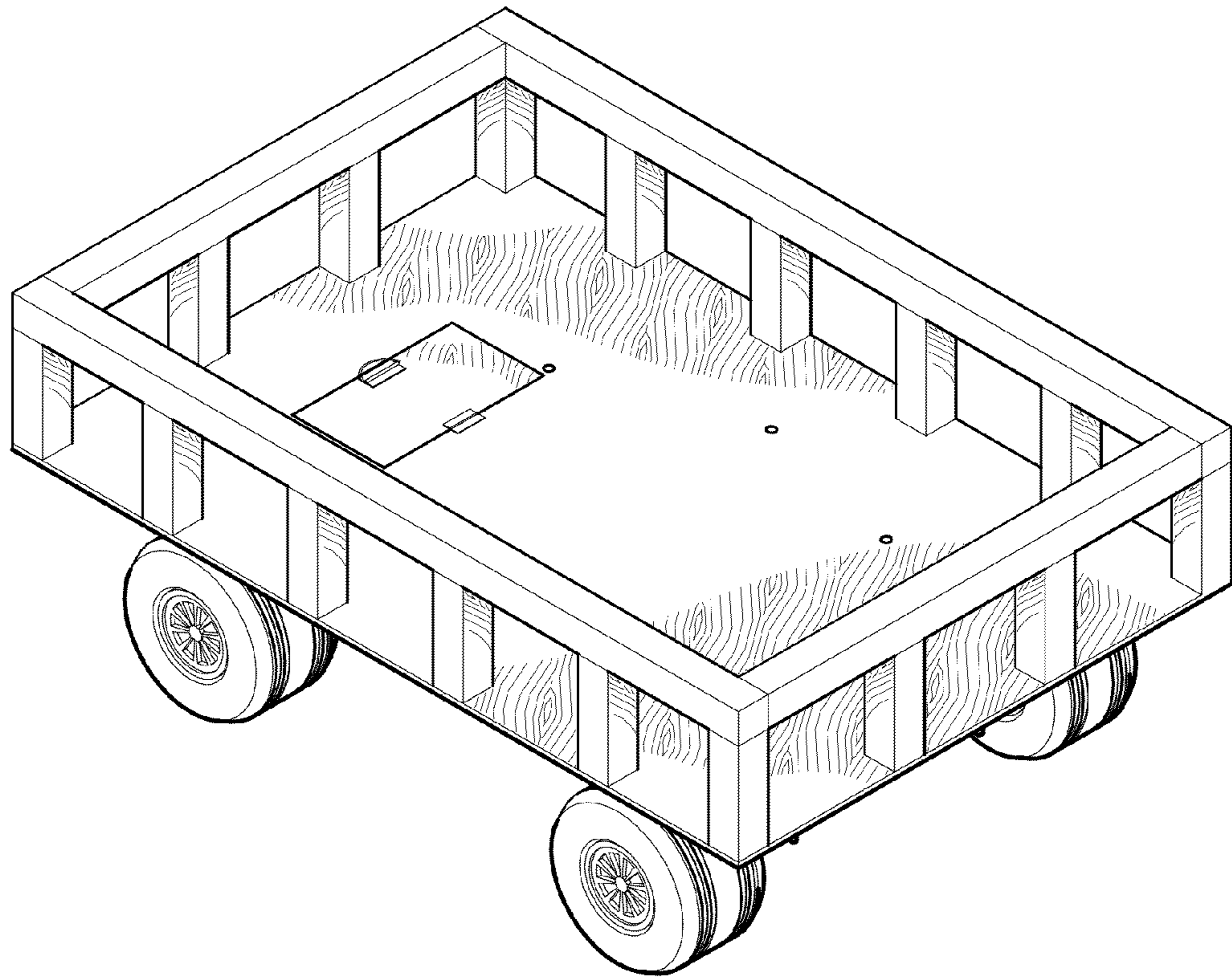


FIG. 1

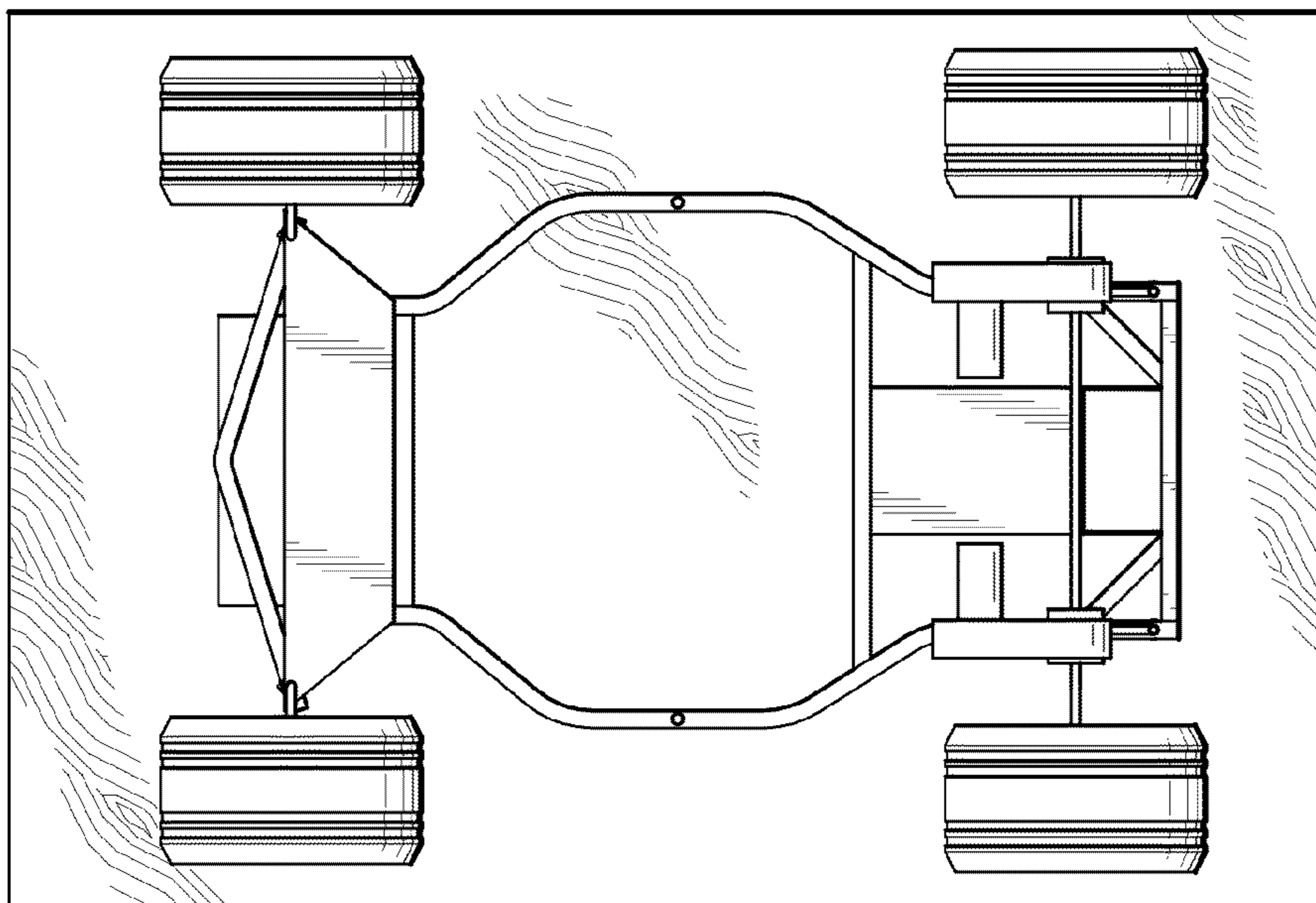


FIG. 3

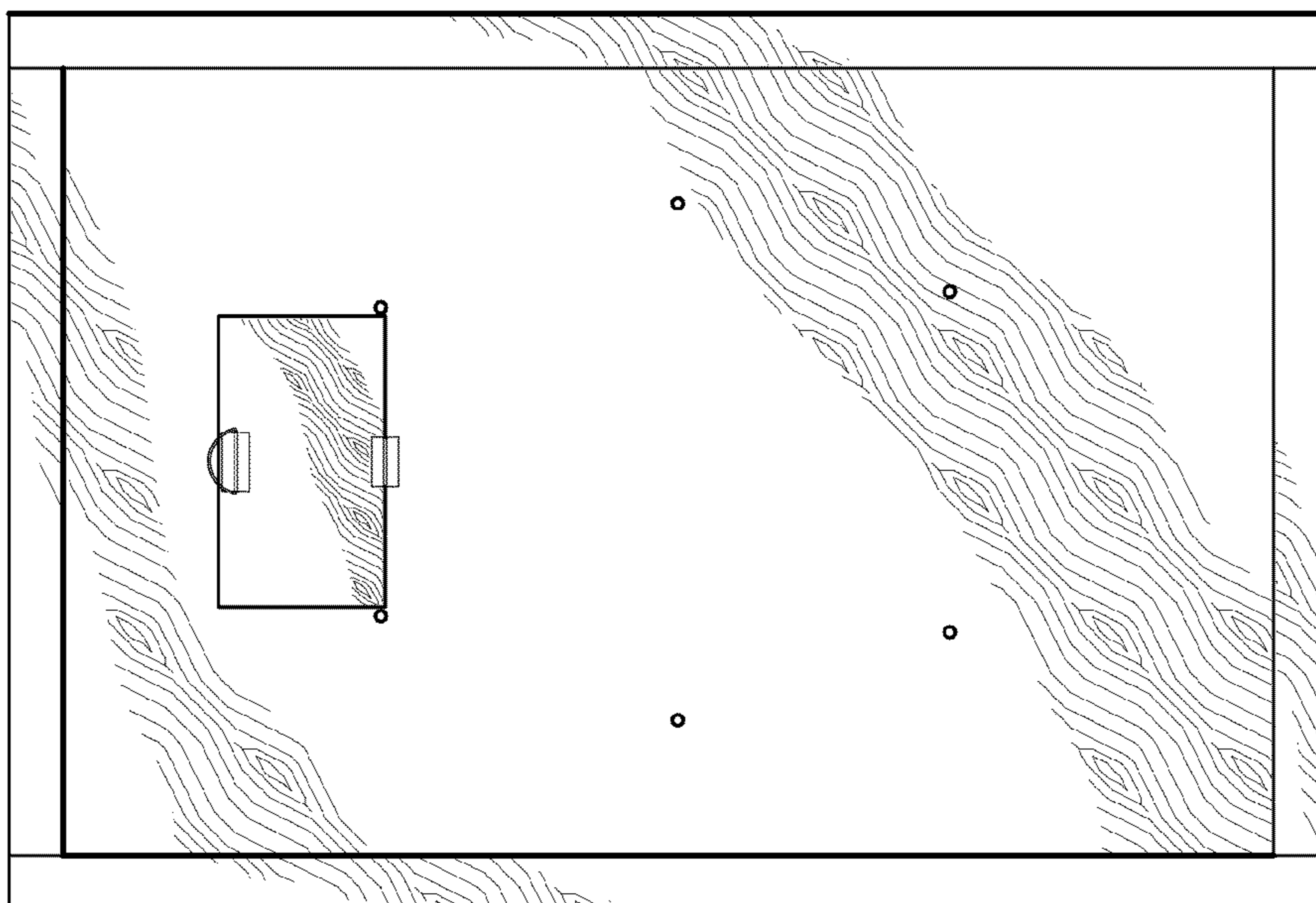


FIG. 2

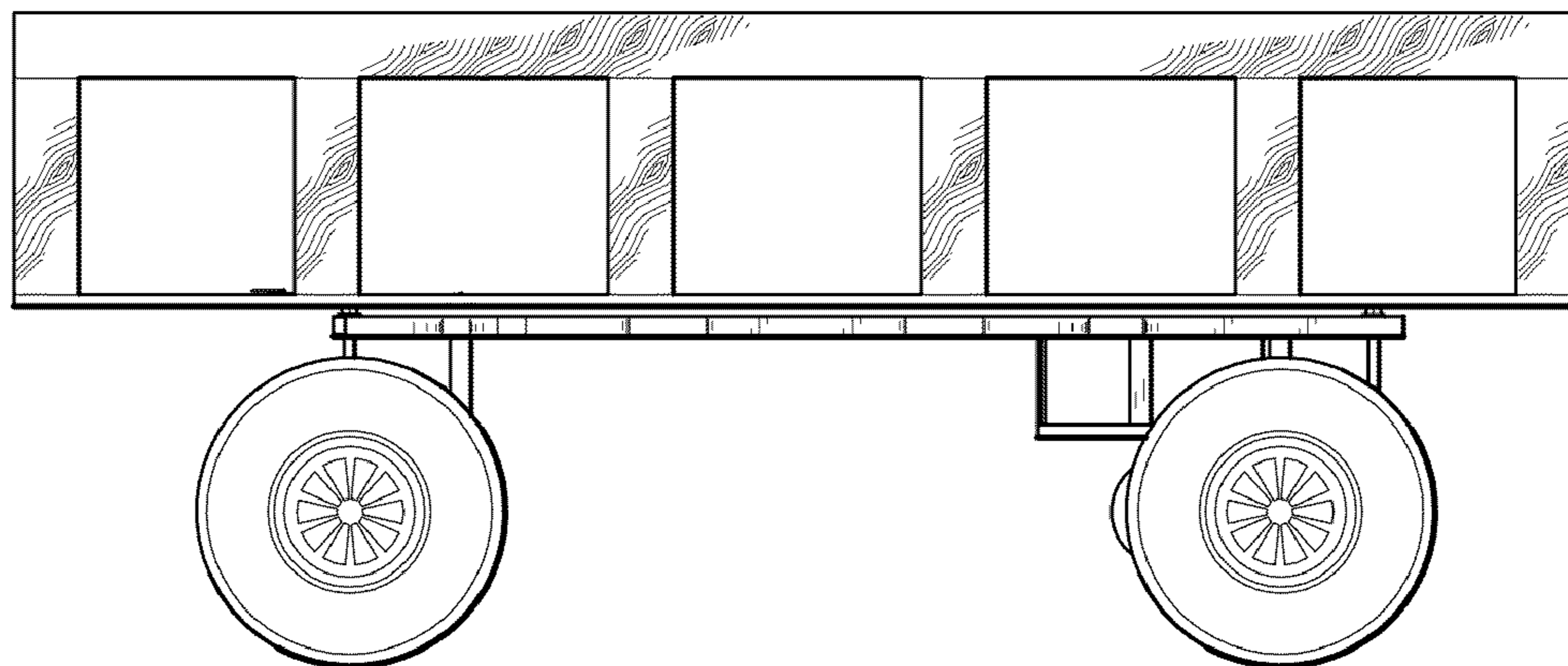


FIG. 4

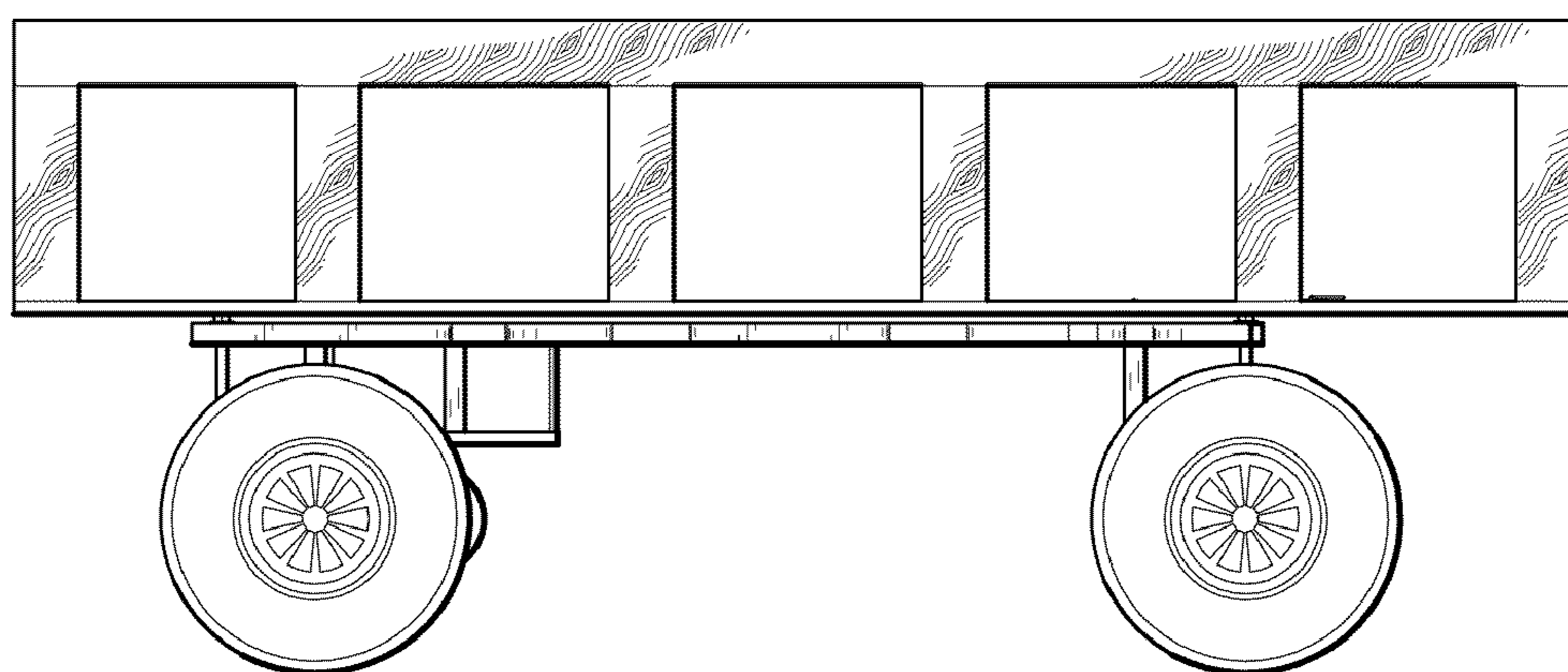


FIG. 5

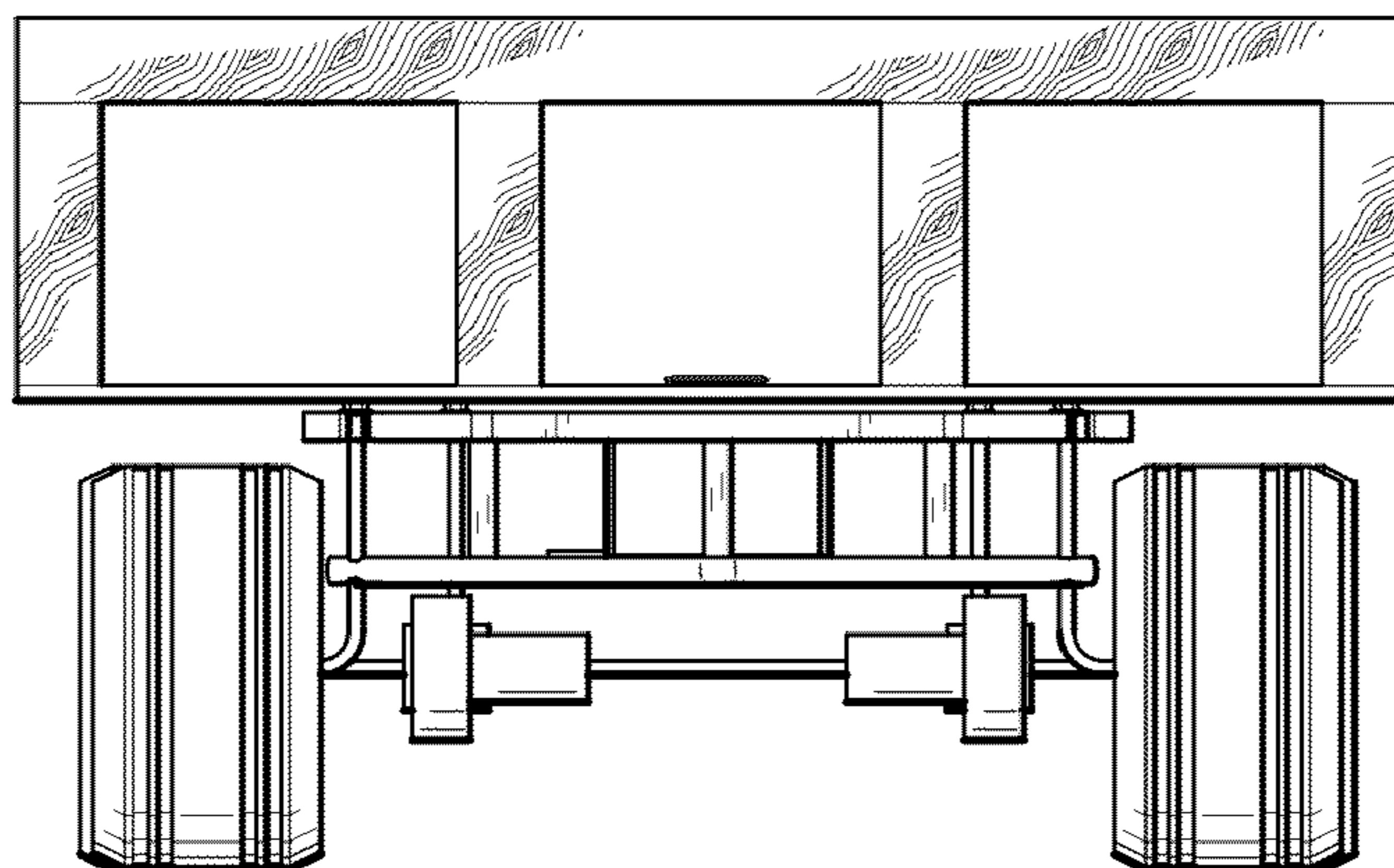


FIG. 6

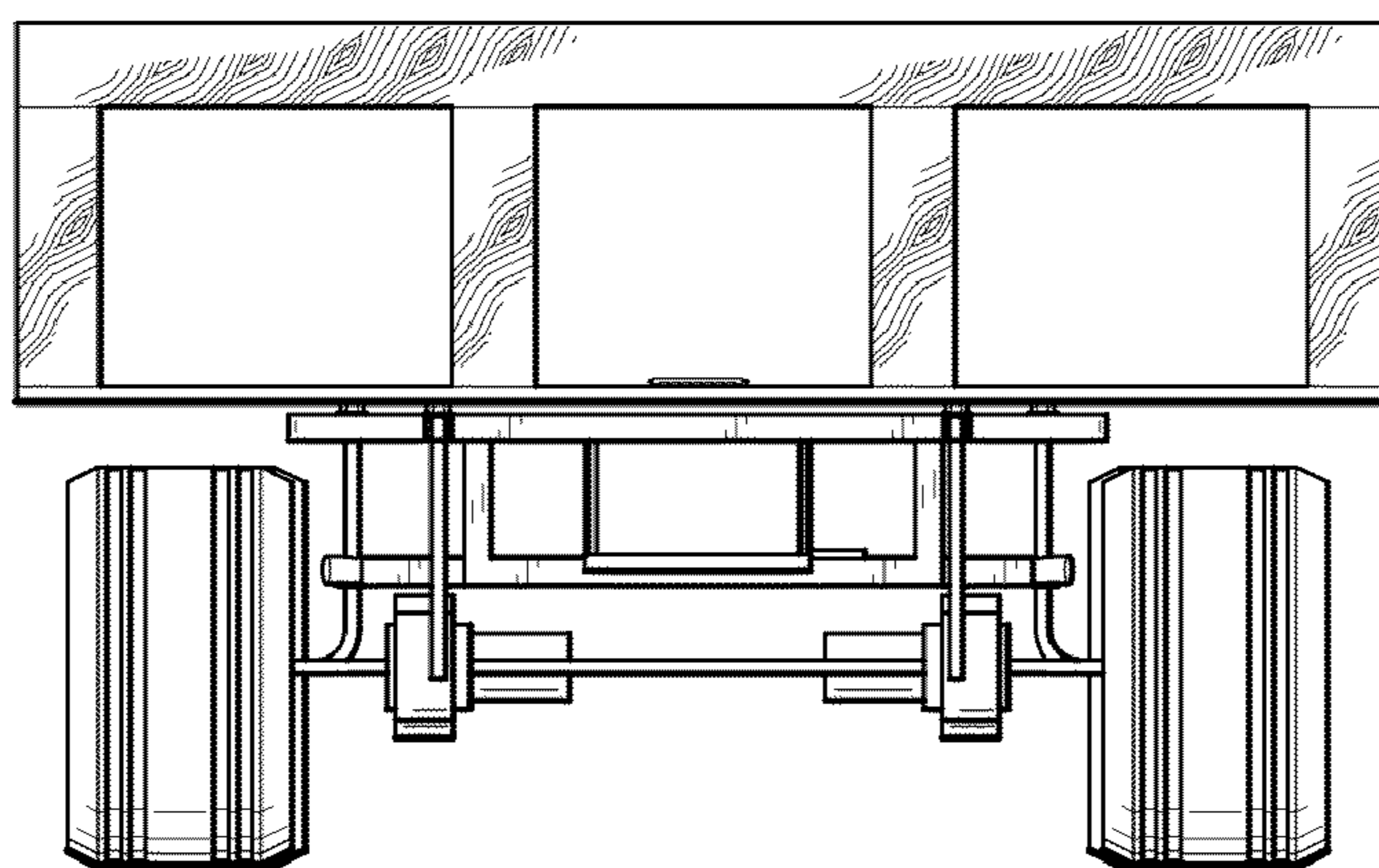


FIG. 7