



US00D679459S

(12) **United States Design Patent**  
**Matz et al.**

(10) **Patent No.:** **US D679,459 S**  
(45) **Date of Patent:** **\*\* Apr. 2, 2013**

- (54) **GROOMING TOOL**
- (75) Inventors: **Andrea Matz**, Stanhope, NJ (US); **Ryan Rutherford**, Belleville, NJ (US); **Jonathan Willinger**, Tenafly, NJ (US)
- (73) Assignee: **J.W. Pet Company, Inc.**, Teterboro, NJ (US)
- (\*\*) Term: **14 Years**
- (21) Appl. No.: **29/376,371**
- (22) Filed: **Oct. 6, 2010**

D20,486 S	1/1891	Thompson	
487,580 A	12/1892	Neuls	
1,663,468 A *	3/1928	Vaughn .....	132/124
1,852,362 A	4/1932	Newby	
2,150,260 A	3/1939	Berry	
D114,197 S	4/1939	Muller-Munk	
D142,930 S	11/1945	Adler	
D152,375 S	1/1949	Seley	
D154,134 S	6/1949	McMillen	
2,482,120 A	9/1949	Mishkinis	
D168,915 S	2/1953	Snyder	
2,630,594 A	3/1953	Fisher	
2,633,591 A	4/1953	Servilla	
D184,870 S *	4/1959	Heinrich .....	D28/25
2,918,686 A	12/1959	Rowland	
3,010,131 A	11/1961	Kisky	
D198,224 S	5/1964	Boldt	
D199,718 S	12/1964	Adler	
3,291,141 A *	12/1966	Quinio et al. ....	132/229

**Related U.S. Application Data**

- (60) Continuation of application No. 29/358,392, filed on Mar. 26, 2010, now Pat. No. Des. 625,472, and a continuation of application No. 29/358,408, filed on Mar. 26, 2010, now Pat. No. Des. 625,473, and a continuation of application No. 29/333,964, filed on Mar. 18, 2009, now Pat. No. Des. 615,714, said application No. 29/358,392 is a division of application No. 29/333,964, said application No. 29/358,408 is a continuation of application No. 29/333,964.

- (51) **LOC (9) Cl.** ..... **30-99**
- (52) **U.S. Cl.** ..... **D30/158**
- (58) **Field of Classification Search** ..... D30/158, D30/159; D4/138, 132-137, 100-102, 122, D4/127, 119, 199; D8/106, 107; 401/28; 132/120, 121, 150, 152, 147, 148, 219, 139, 132/158, 161, 160, 149, 112-116, 125, 141-144, 132/137, 124, 901, 270, 126; 119/600, 601, 119/605, 606, 611-619, 625, 630, 632, 633; 15/50.1-50.3, 55, 57, 71, 77, 79.1, 104.002, 15/105, 106, 143.1, 142; 19/98; D28/25, D28/29, 30, 33-38, 21-24

See application file for complete search history.

(56) **References Cited**

**U.S. PATENT DOCUMENTS**

- 238,297 A 3/1881 Lawrence
- 441,136 A 11/1890 Clements

(Continued)

**OTHER PUBLICATIONS**

“Fine Comb” Drs Foster Catalogue p. 104, 2005. (1 page).\*

(Continued)

*Primary Examiner* — Susan Moon Lee

(74) *Attorney, Agent, or Firm* — Katten Muchin Rosenman LLP

(57) **CLAIM**

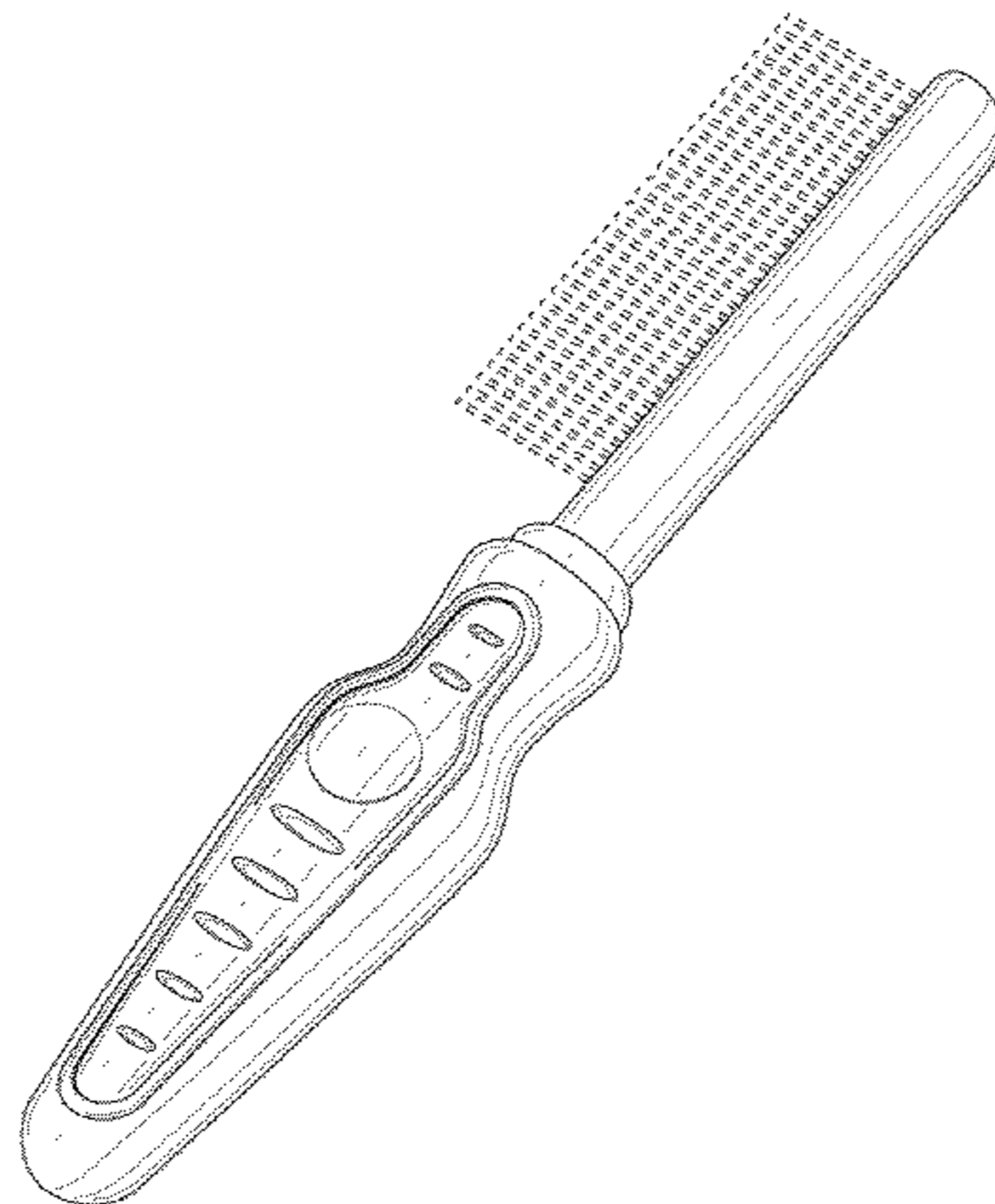
The ornamental design for a grooming tool, as shown and described.

**DESCRIPTION**

FIG. 1 is a perspective view of a grooming tool;  
 FIG. 2 is a front view thereof;  
 FIG. 3 is a rear view thereof;  
 FIG. 4 is a left side view thereof;  
 FIG. 5 is a right side view thereof;  
 FIG. 6 is a top view thereof; and,  
 FIG. 7 is a bottom view thereof.

The portions of the design that are shown in broken lines do not form part of the claimed design.

**1 Claim, 4 Drawing Sheets**



# US D679,459 S

Page 2

U.S. PATENT DOCUMENTS								
D209,724	S *	12/1967	McNair .....	D28/24	D442,446	S	5/2001	Hortnagl
3,421,171	A	1/1969	Tsuruzawa		6,250,833	B1	6/2001	Perry et al.
3,474,481	A	10/1969	Soleymani et al.		D444,925	S	7/2001	Monette
3,491,777	A	1/1970	Grosbard		D445,969	S *	7/2001	Lorenzo ..... D30/159
D222,792	S	12/1971	Krusche et al.		6,279,582	B1	8/2001	Wang
D229,619	S	12/1973	Sleith		D448,114	S	9/2001	Faust et al.
D235,170	S	5/1975	McNair		6,305,052	B1	10/2001	Sinclair
4,098,266	A	7/1978	Muchisky et al.		D452,044	S	12/2001	Goetschi
4,244,075	A	1/1981	Silver		D453,420	S	2/2002	Offer et al.
D267,075	S	11/1982	Wadstrom		D453,599	S	2/2002	Backman et al.
4,417,826	A	11/1983	Floros		D454,432	S	3/2002	Ancona et al.
4,456,815	A	6/1984	Andis		D460,272	S	7/2002	Fong
4,508,108	A	4/1985	Miyaoka		6,425,701	B1	7/2002	Jacobs
D285,252	S	8/1986	Audette		D461,279	S	8/2002	Angeletta
D288,987	S	3/1987	Bambury		6,450,127	B2	9/2002	Willinger et al.
D292,532	S	10/1987	Strongwater		D465,930	S	11/2002	Offer et al.
4,720,883	A	1/1988	Sanchez		D468,109	S	1/2003	Plante et al.
4,826,340	A	5/1989	Rothweiler et al.		D473,343	S	4/2003	Carruba et al.
4,841,590	A	6/1989	Terry et al.		D473,682	S	4/2003	Plante et al.
D305,818	S	1/1990	Chen		6,543,388	B2	4/2003	Willinger et al.
D307,963	S	5/1990	Newman et al.		6,543,954	B2	4/2003	Owings
4,927,283	A	5/1990	Fitjer		D480,215	S	10/2003	Mastroianni
D309,984	S	8/1990	Gingras		6,637,441	B2	10/2003	Kennedy et al.
4,974,286	A	12/1990	Stowell et al.		D484,314	S	12/2003	Digioia
4,998,836	A	3/1991	Scripnick		6,681,775	B2	1/2004	Wang
D318,157	S	7/1991	Perior		D485,990	S	2/2004	Wallace
5,067,444	A	11/1991	Parker		D491,310	S	6/2004	Glucksman et al.
D324,914	S	3/1992	Bucher		D492,119	S	6/2004	Hay
D331,288	S	11/1992	Yuen		D493,569	S	7/2004	Angeletta
D334,430	S	3/1993	Tsou		6,782,846	B1	8/2004	Porter
D335,171	S	4/1993	Lenci et al.		D497,450	S	10/2004	Scofield
5,267,528	A	12/1993	Murieen		D501,607	S	2/2005	Hay et al.
5,289,833	A *	3/1994	McDonald .....	132/112	D502,300	S	2/2005	Suero
5,305,490	A	4/1994	Lundgren		D502,568	S	3/2005	Longoria
5,322,382	A	6/1994	Hull et al.		D504,234	S	4/2005	Kuo et al.
5,385,532	A	1/1995	Shyu		D504,776	S	5/2005	Kuo et al.
5,388,700	A	2/1995	Per-Lee		D507,681	S *	7/2005	Choi et al. .... D30/158
5,392,483	A	2/1995	Heinzelman et al.		D510,483	S	10/2005	Kuo et al.
5,398,369	A	3/1995	Heinzelman et al.		6,955,137	B2	10/2005	Dunn et al.
D357,810	S	5/1995	Evans		D515,737	S	2/2006	Angeletta
5,421,765	A	6/1995	Lehmann et al.		D516,244	S	2/2006	Efthimiadis et al.
5,435,039	A	7/1995	Taylor		D518,598	S	4/2006	Angeletta
5,454,659	A	10/1995	Vosbikian et al.		D518,916	S	4/2006	Angeletta
5,465,449	A	11/1995	Lewkowicz		D521,242	S	5/2006	Gaiti
D367,176	S	2/1996	Berti		D523,173	S	6/2006	Angeletta
D368,999	S	4/1996	Chen		D524,545	S	7/2006	Hinnant
5,503,109	A	4/1996	Sporn		D524,547	S	7/2006	Hay
D369,882	S	5/1996	McCarthy		D525,744	S	7/2006	Dibnah et al.
D371,219	S	6/1996	Bouchez		7,077,076	B2	7/2006	Porter et al.
D372,412	S	8/1996	Bradshaw		D541,474	S	4/2007	Psimadas et al.
D373,904	S	9/1996	Vanderhoef et al.		7,234,419	B2	6/2007	Hutchinson et al.
5,584,088	A *	12/1996	Pauldine .....	15/27	D548,976	S	8/2007	Hay
D381,483	S	7/1997	Hartman		D549,411	S	8/2007	McNeeley et al.
D381,771	S	7/1997	Chern		D560,364	S	1/2008	Barnes et al.
5,673,455	A	10/1997	Per-Lee et al.		D561,527	S	2/2008	Giannone
D387,484	S *	12/1997	Hong .....	D28/25	D565,258	S	3/2008	Porter et al.
D388,535	S	12/1997	Per-Lee		D565,846	S	4/2008	Holcomb et al.
D398,507	S	9/1998	Thompson et al.		D575,528	S	8/2008	Libman et al.
D399,722	S	10/1998	Eidsmoe et al.		D587,871	S	3/2009	van Deursen et al.
5,819,758	A	10/1998	Sohler		D588,308	S	3/2009	Wonderley
5,823,145	A	10/1998	Hingiss		D591,953	S	5/2009	Krus et al.
D402,176	S	12/1998	Lauster et al.		7,631,646	B2 *	12/2009	Ragosta et al. .... 132/237
D405,340	S	2/1999	Sullivan et al.		7,650,858	B2	1/2010	Porter et al.
5,864,915	A	2/1999	Ra		D610,755	S	2/2010	Lin
D408,998	S	5/1999	Choi et al.		D610,756	S	2/2010	Lin
D410,789	S	6/1999	Cheng		D615,261	S	5/2010	Bunnag
D411,428	S	6/1999	Scott		D615,704	S	5/2010	Wonderley et al.
D415,005	S	10/1999	Chen		D615,706	S	5/2010	Lukan
5,996,231	A	12/1999	Roche et al.		D615,707	S	5/2010	Lukan
6,006,393	A	12/1999	Lynch et al.		D615,714	S *	5/2010	Matz et al. .... D30/158
D424,747	S	5/2000	Chen		7,717,067	B2	5/2010	Porter et al.
D426,916	S	6/2000	Ebert		D625,473	S *	10/2010	Matz et al. .... D30/159
D426,924	S	6/2000	Joiner et al.		2001/0011528	A1	8/2001	Willinger et al.
D428,570	S	7/2000	Lamond et al.		2001/0034920	A1	11/2001	Brown
D437,487	S	2/2001	Chen		2002/0040686	A1	4/2002	Willinger et al.
D437,690	S	2/2001	Stevenson et al.		2004/0025897	A1 *	2/2004	Menaged et al. .... 132/150
D439,051	S *	3/2001	White .....	D4/102	2004/0265042	A1	12/2004	Chan et al.
6,213,055	B1	4/2001	Willinger et al.		2005/0092340	A1	5/2005	Rijskamp
					2005/0241594	A1 *	11/2005	Willinger et al. .... 119/625



2006/0010625 A1 1/2006 Tapper et al.  
2006/0032458 A1 2/2006 Hutchinson et al.  
2006/0037556 A1 2/2006 Porter  
2008/0078333 A1 4/2008 Wang  
2008/0115736 A1 5/2008 Porter et al.  
2009/0272332 A1\* 11/2009 Lin ..... 119/633

OTHER PUBLICATIONS

“Jeffers Non-Slip Comb”, Jeffers Catalogue p. 85, 2004 (1 page).\*  
“Shedding Comb”, Jeffers Catalogue p. 92, 2004 (1 page).\*  
“Ergonomic Fine Comb”, Drs Foster Catalogue p. 102, 2004 (1 page).\*  
Non-final Office Action dated Apr. 25,2000 from corresponding U.S. Appl. No. 09/218,252.  
Non-final Office Action dated Sep. 26, 2000 from corresponding U.S. Appl. No. 09/218,252.  
Non-final Office Action dated Jun. 28, 2001 from corresponding U.S. Appl. No. 09/829,261.

Non-final Office Action dated Jun. 4, 2002 from corresponding U.S. Appl. No. 10/017,514.  
(1) Jeffers Pet Catalogue, Jun. 2005, p. 85 (1 page). (2) Jeffers Pet Catalogue, Jun. 2007, pp. 92, 93, 131 (3 pages).  
(1) Drs. Foster and Smith catalogue, 2002 issue, p. 105 (1 page). (2) Drs Foster and Smith catalogue, Dec. 2005 issue, p. 132 (1 page). (3) Drs. Foster and Smith catalogue, Jul. 2005, p. 102 (1 page).  
(1) Care-a-Lot Pet catalogue, 2002 issue, p. 62 (1 page). (2) Care-a-Lot Pet catalogue, Oct. 2003 issue, p. 62 (1 page).  
UPCO Catalogue, Fall 2005, pp. 34, 37 (2 pages).  
J.B. Wholesale Pet Catalogue, Nov. 2006, p. 81 (1 page).  
Cherrybrook Catalogue, Nov. 2006, p. 83 (1page).  
Pet Solutions Catalogue, Sep. 2009, p. 31 (1page).  
Non-Final Office Action dated Oct. 1, 2009 from corresponding U.S. Appl. No. 29/333,964.

\* cited by examiner

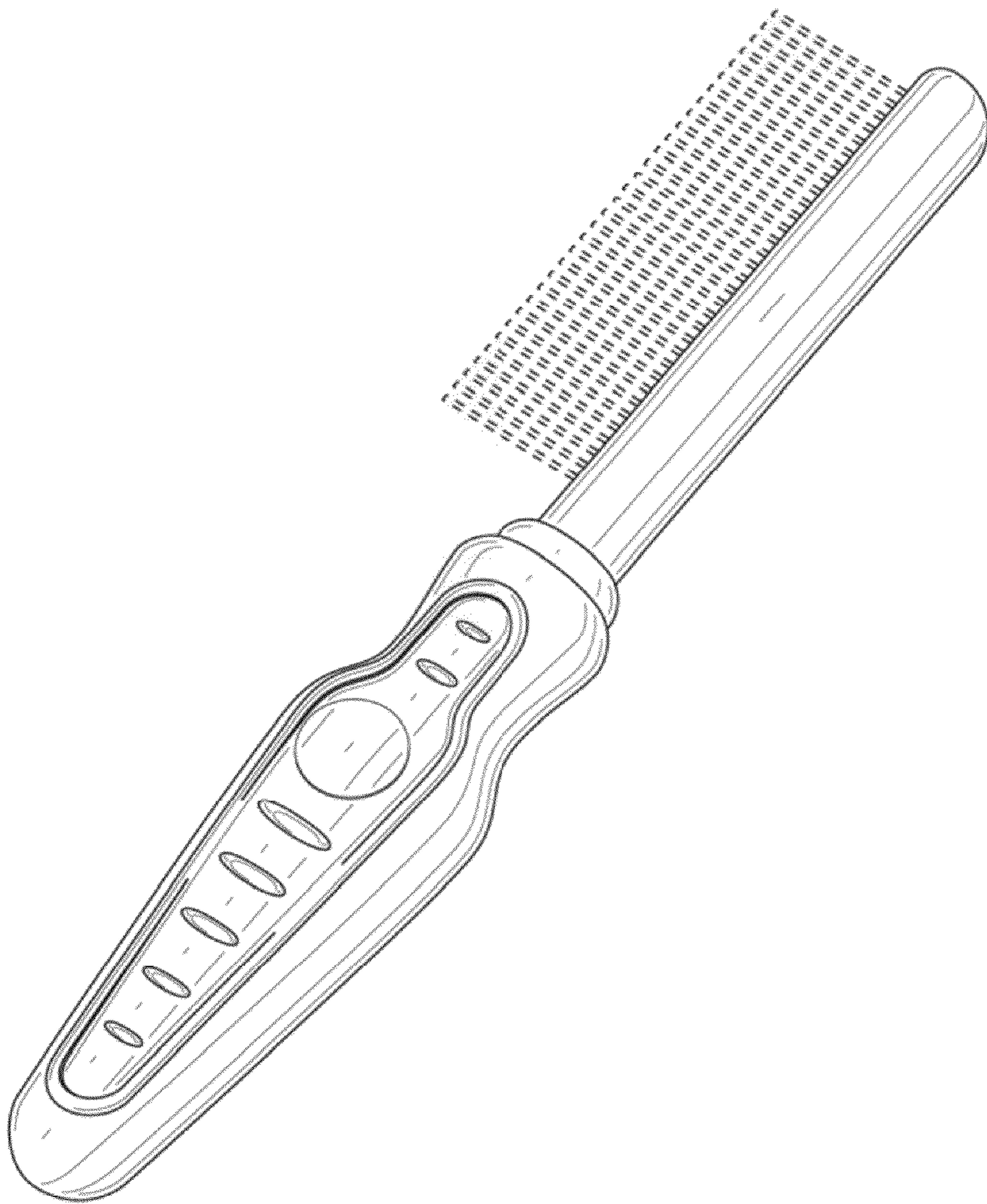


FIG. 1



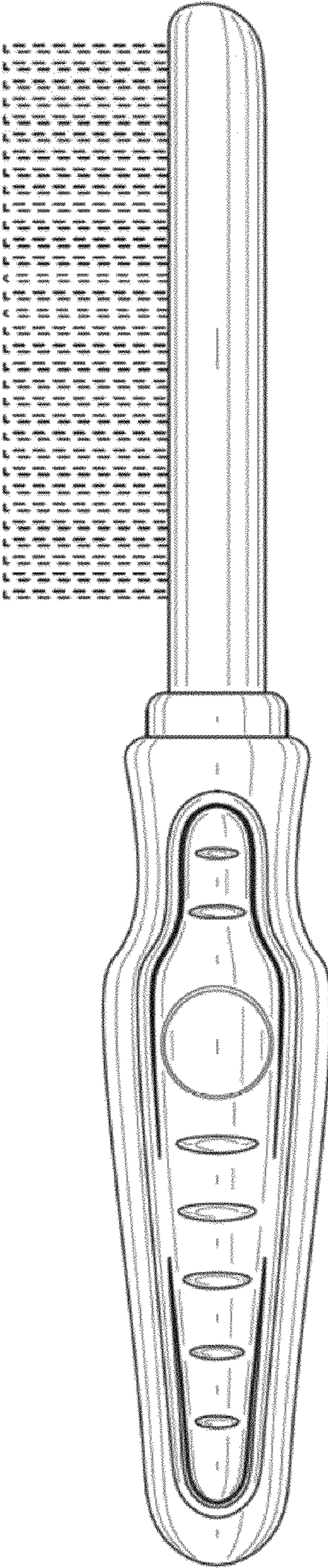


FIG. 2

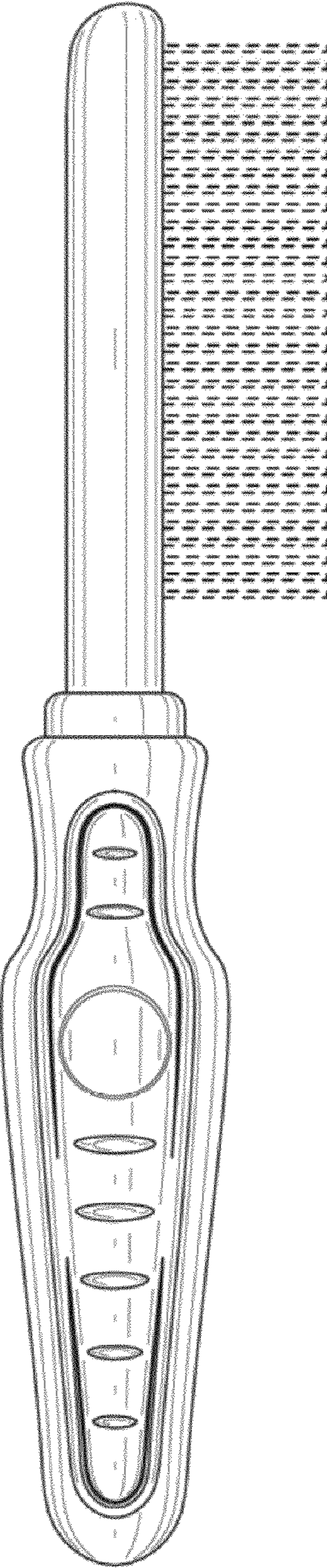


FIG. 3



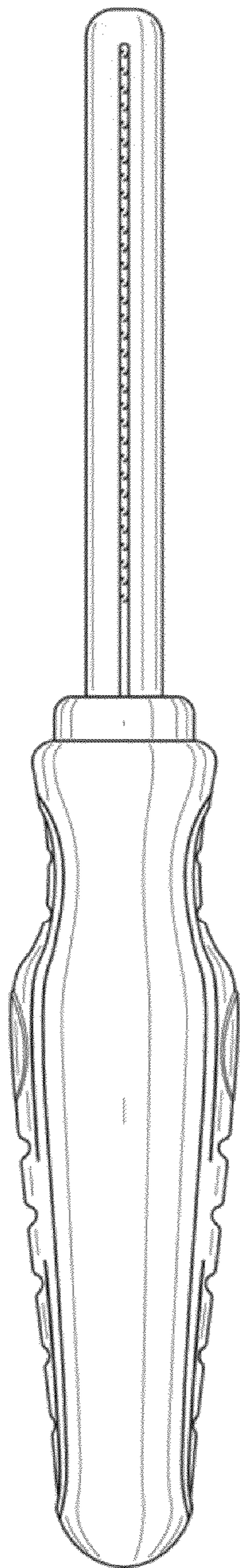


FIG. 4

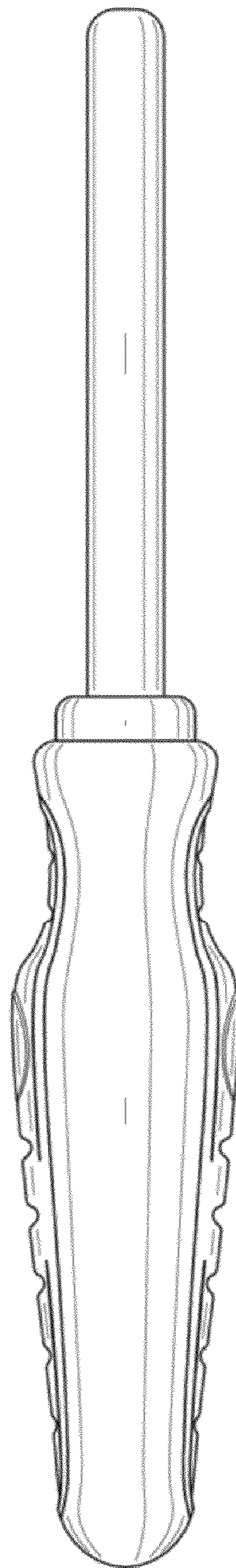


FIG. 5

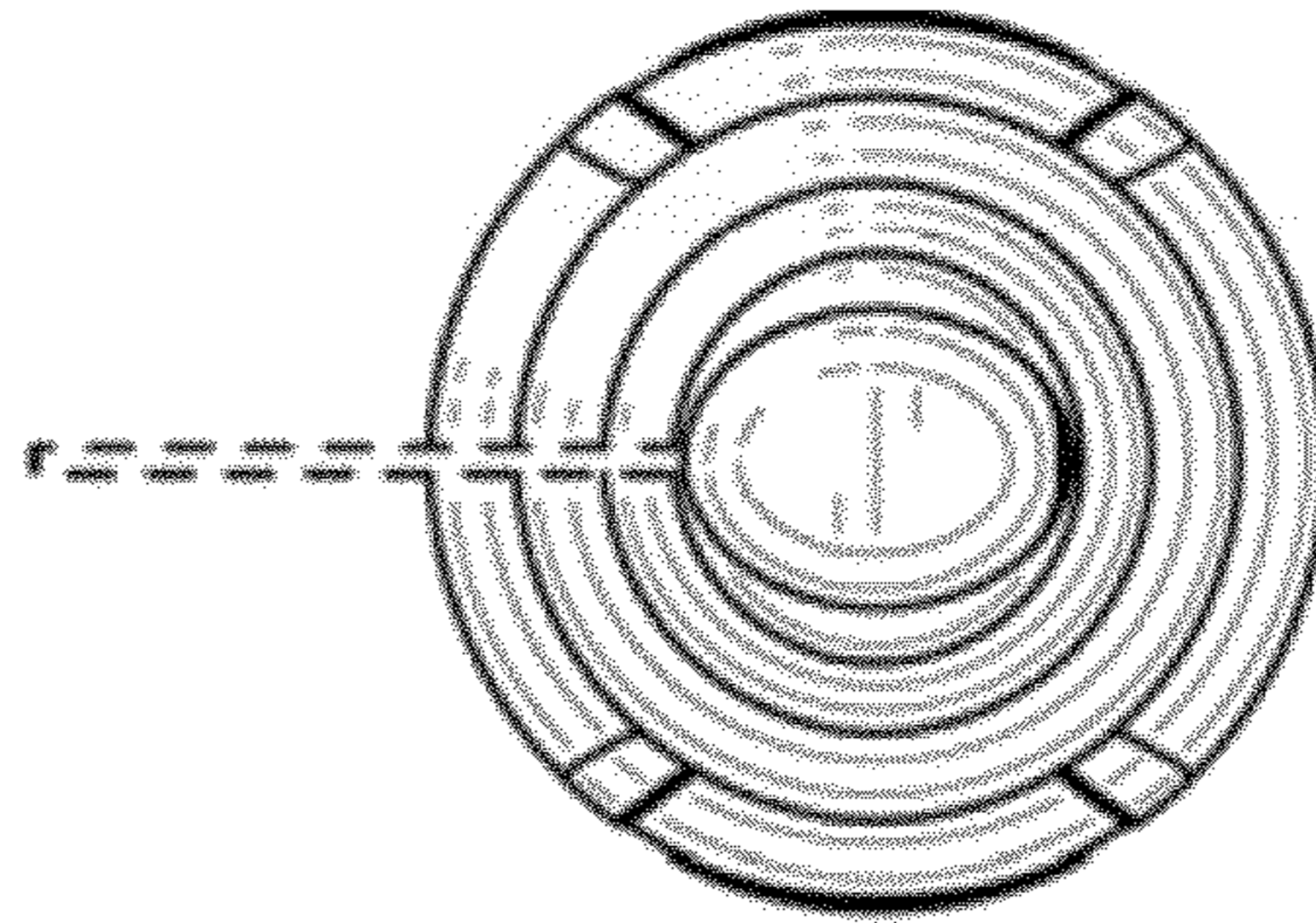


FIG. 6

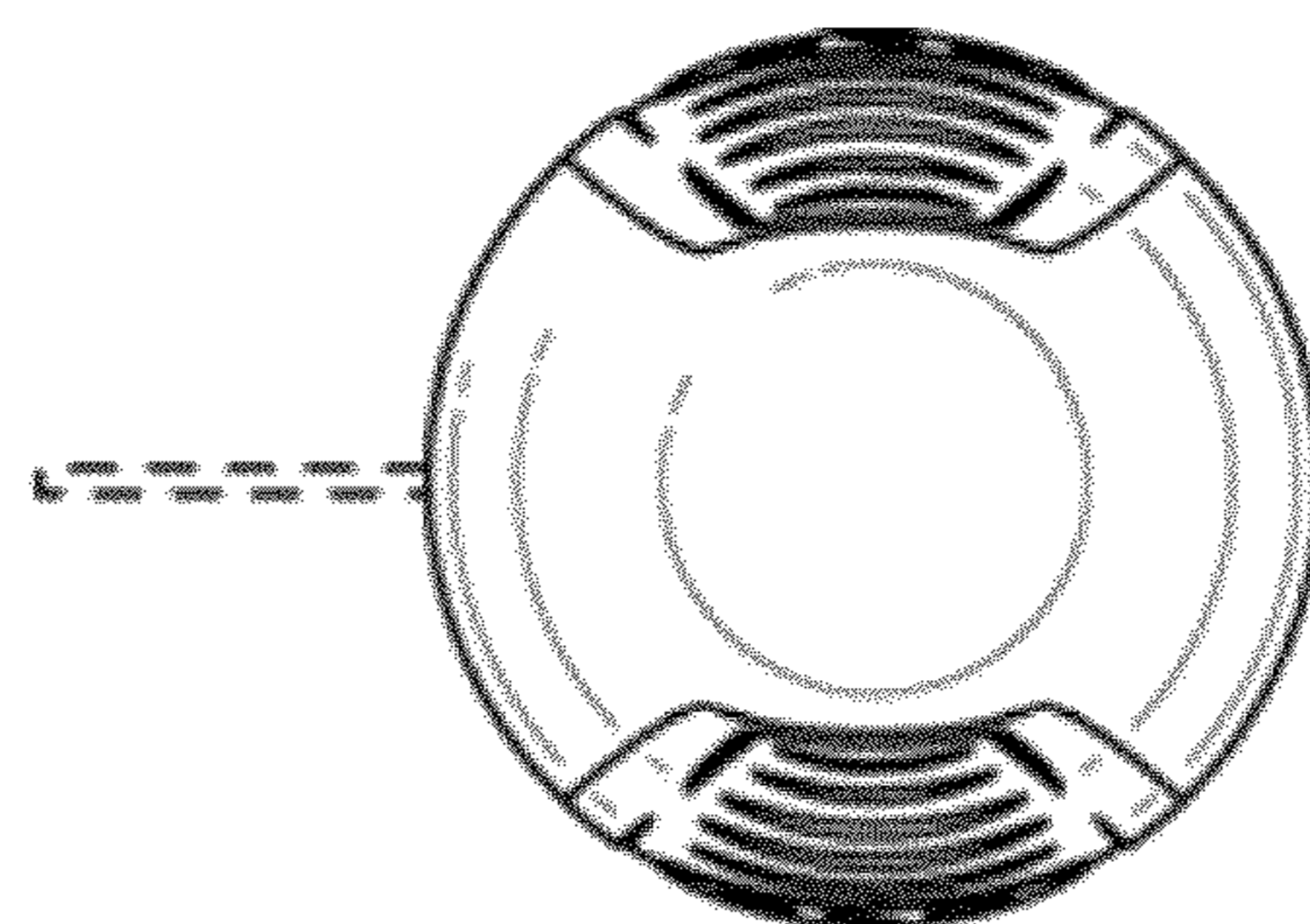


FIG. 7