



US00D679455S

(12) **United States Design Patent**  
**Chance et al.**

(10) **Patent No.:** **US D679,455 S**

(45) **Date of Patent:** **\*\* Apr. 2, 2013**

(54) **PET FEEDER**

(75) Inventors: **Christopher E. Chance**, Bella Vista, AR (US); **Andrew Bojie**, Centerton, AR (US); **Jake Mackenzie Houser**, Mountain Home, AR (US)

(73) Assignee: **Stout Stuff, LLC**, Bentonville, AR (US)

(\*\*) Term: **14 Years**

(21) Appl. No.: **29/429,583**

(22) Filed: **Aug. 14, 2012**

(51) **LOC (9) Cl.** ..... **30-03**

(52) **U.S. Cl.** ..... **D30/133; D30/130; D30/131**

(58) **Field of Classification Search** ..... D30/133, D30/121, 128, 130, 132; 119/52.1, 55, 61.5–61.56; D6/480–485; 248/188; 312/204; 108/153.1–157  
See application file for complete search history.

(56) **References Cited**

**U.S. PATENT DOCUMENTS**

D89,262	S *	2/1933	Nunimaker	.....	D30/130
D105,450	S *	7/1937	Clifton	.....	D30/130
2,554,086	A	5/1951	Block		
2,677,350	A	11/1951	Prestidge et al.		
2,584,301	A *	2/1952	Sinclair	.....	119/61.53
D221,217	S *	7/1971	Beychock	.....	D12/419
3,611,998	A	10/1971	Loscalzo		
D237,787	S *	11/1975	Weyrich	.....	D34/24
4,044,723	A *	8/1977	Fitzpatrick	.....	119/61.5
D315,974	S *	4/1991	Steiner	.....	D30/131
D340,552	S *	10/1993	Smith	.....	D30/121
D358,158	S *	5/1995	Bush	.....	D16/222
D412,377	S *	7/1999	Sharon	.....	D30/130
D414,303	S *	9/1999	Sharon	.....	D30/130
D458,419	S	6/2002	Ross		
D465,884	S	11/2002	Ross		
D505,523	S *	5/2005	Rahman	.....	D30/133
D551,400	S *	9/2007	Tsengas	.....	D30/133
7,341,019	B1 *	3/2008	Tsengas	.....	119/61.5
D565,805	S *	4/2008	Modi et al.	.....	D30/133

D577,466	S *	9/2008	Shamoon	.....	D30/133
D592,813	S	5/2009	Newsome et al.		
D592,814	S *	5/2009	Uffner et al.	.....	D30/133
D603,106	S	10/2009	Ragonetti et al.		
D618,862	S *	6/2010	Shamoon et al.	.....	D30/133
D646,440	S *	10/2011	Chance et al.	.....	D30/133
D647,667	S *	10/2011	Siklosi	.....	D30/133
D647,668	S	10/2011	Siklosi		
D653,001	S *	1/2012	Tsengas	.....	D30/133
D665,541	S *	8/2012	Shamoon	.....	D30/133
D669,231	S *	10/2012	Chance et al.	.....	D30/133
2010/0162961	A1 *	7/2010	Hove et al.	.....	119/51.5

\* cited by examiner

*Primary Examiner* — Susan Moon Lee

(74) *Attorney, Agent, or Firm* — Larkin Hoffman Daly & Lindgren, Ltd.; Thomas J. Oppold

(57) **CLAIM**

The ornamental design for a pet feeder, as shown and described.

**DESCRIPTION**

FIG. 1 is a top, front perspective view of the pet feeder of the present design.

FIG. 2 is a top, rear perspective view of the pet feeder of the present design.

FIG. 3 is a front side elevation view of the pet feeder of FIG. 1.

FIG. 4 is a rear side elevation view of the pet feeder of FIG. 1.

FIG. 5 is a right side elevation view of the pet feeder of FIG. 1.

FIG. 6 is a left side elevation view of the pet feeder of FIG. 1.

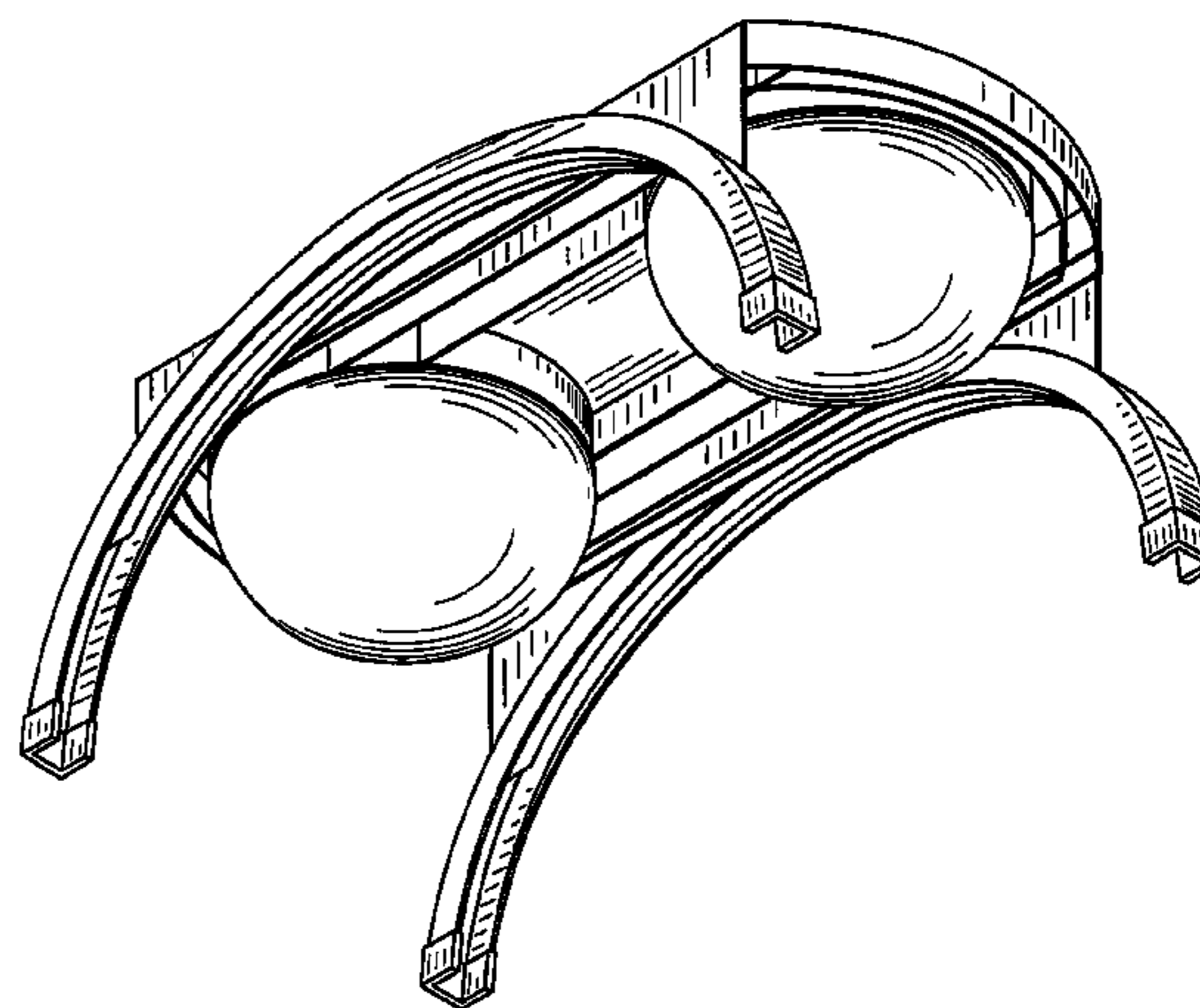
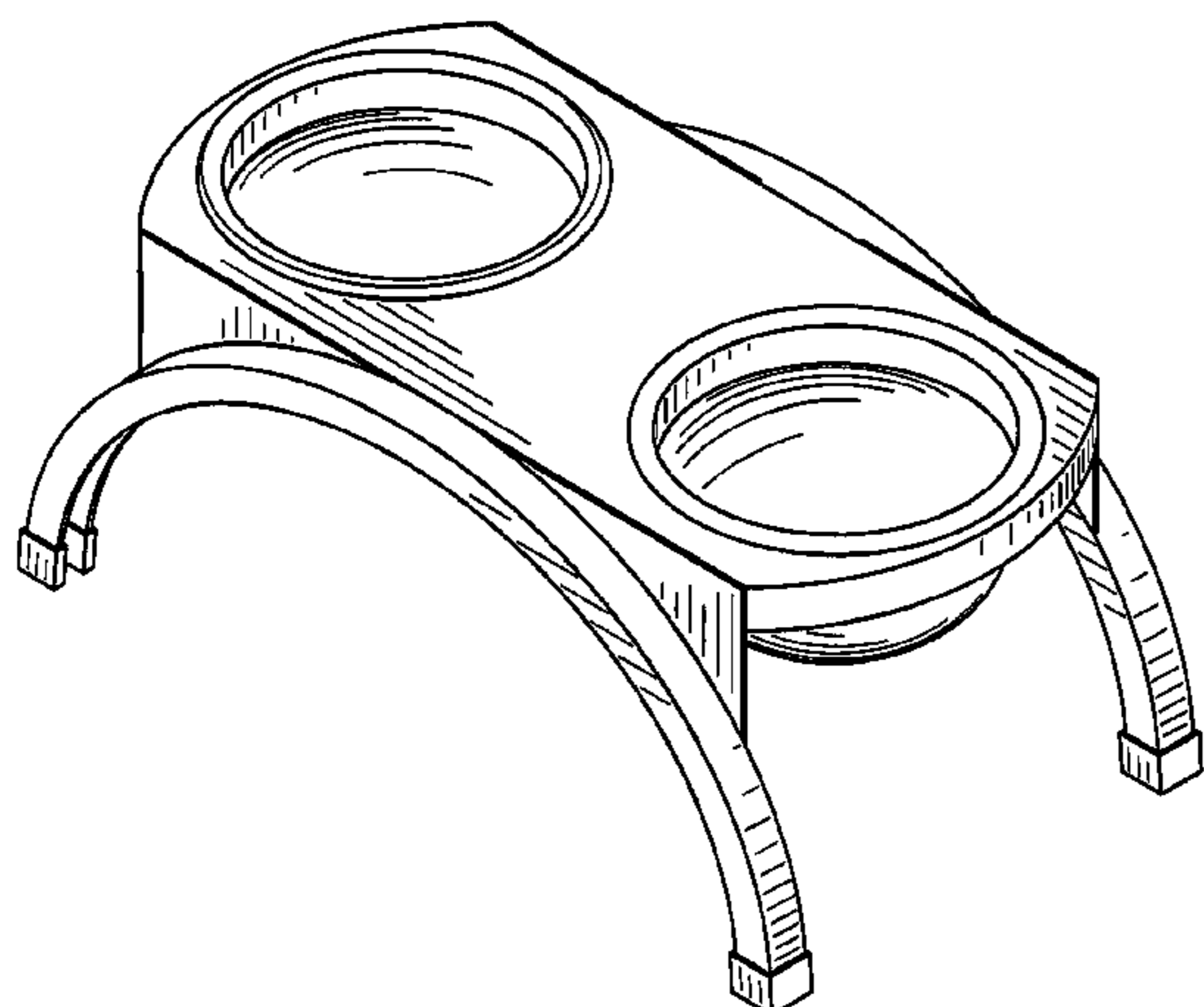
FIG. 7 is a top plan view of the pet feeder of FIG. 1.

FIG. 8 is a bottom plan view of the pet feeder of FIG. 1.

FIG. 9 is a bottom, front perspective view of the pet feeder of FIG. 1; and,

FIG. 10 is a bottom, rear perspective view of the pet feeder of FIG. 1.

**1 Claim, 7 Drawing Sheets**



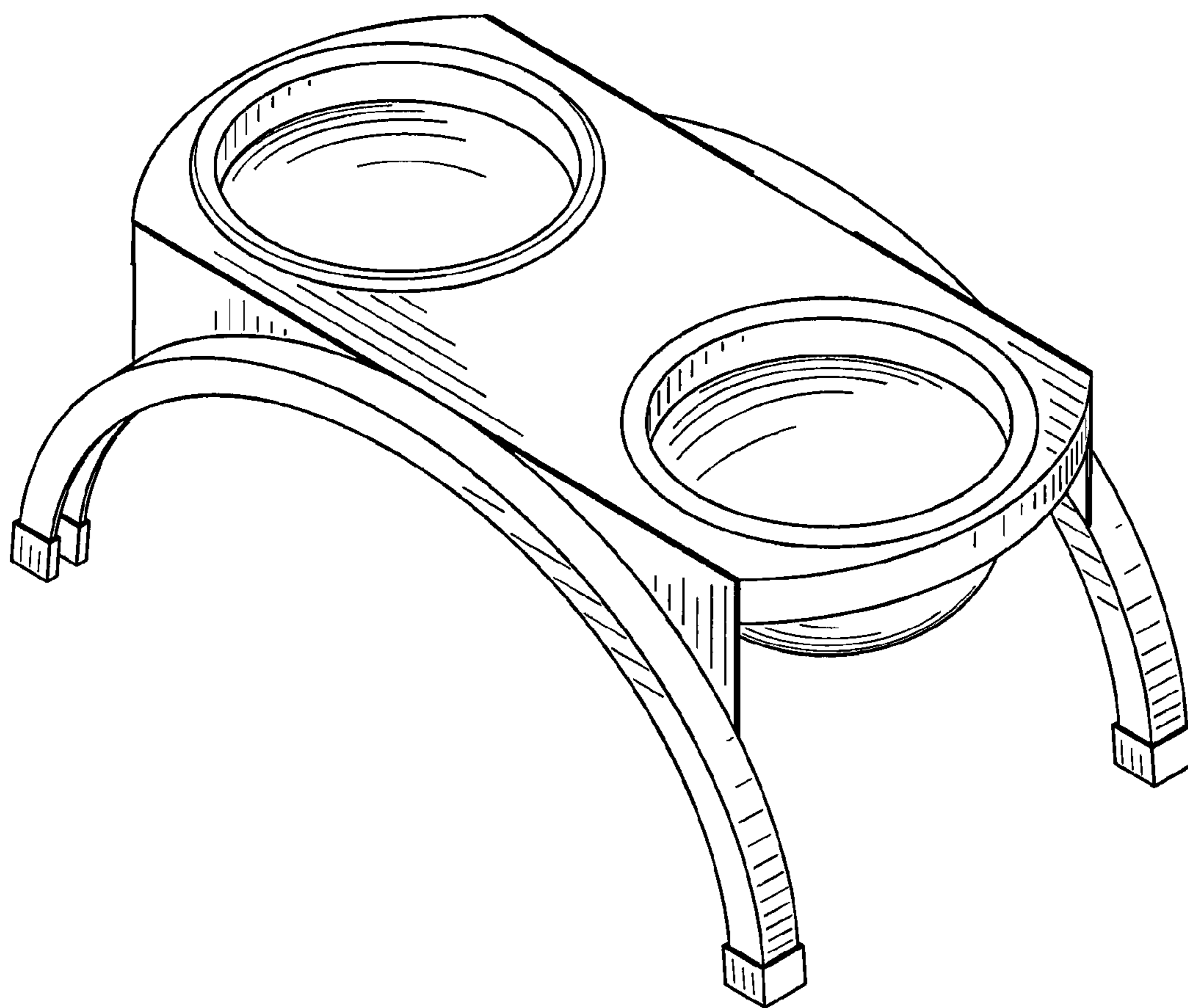


FIG. 1

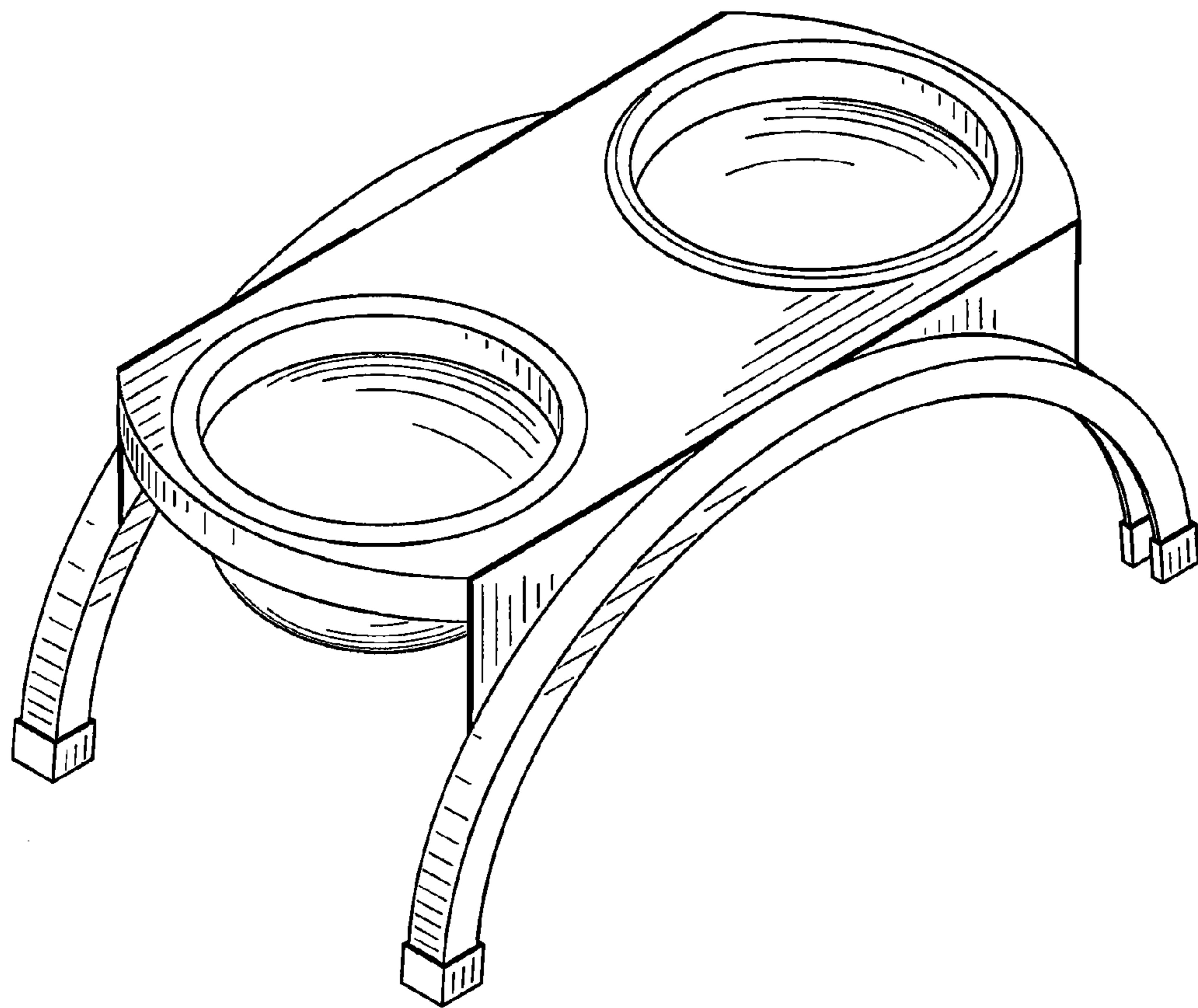


FIG. 2

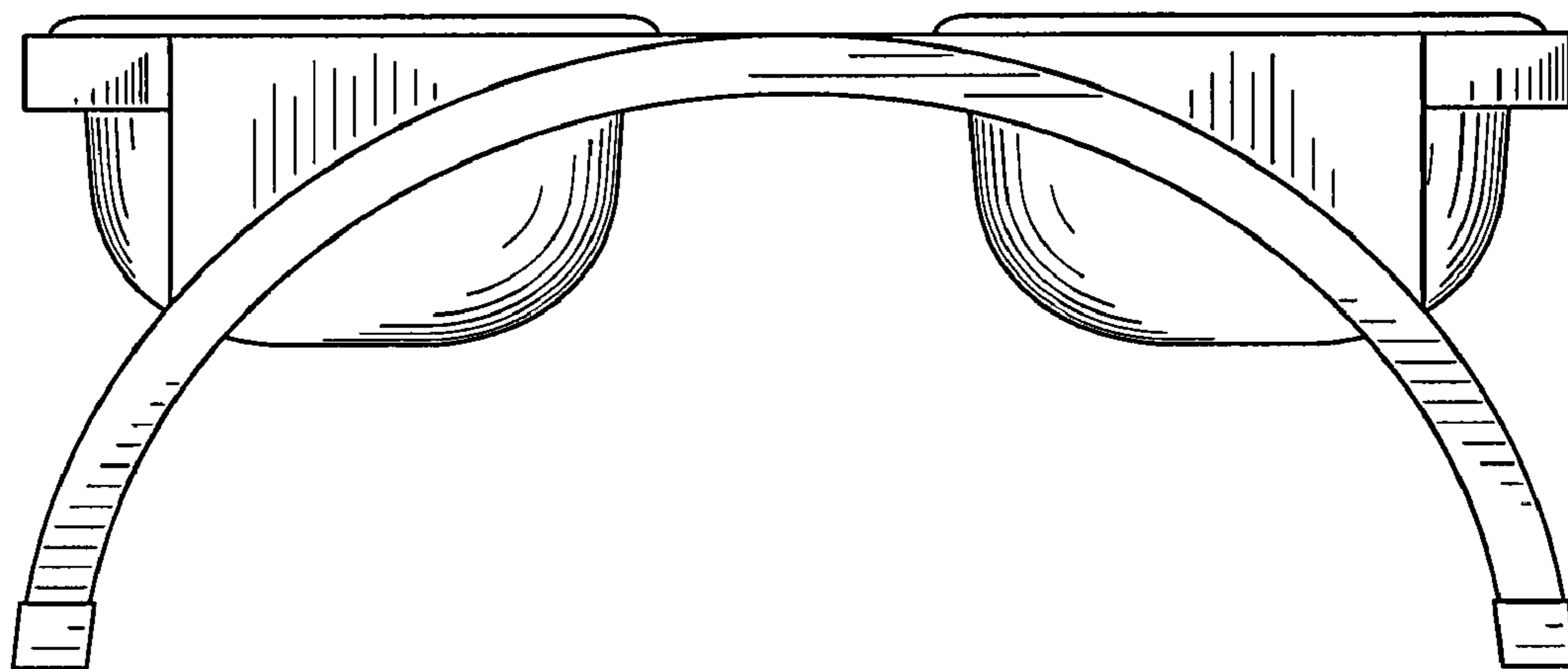


FIG. 3

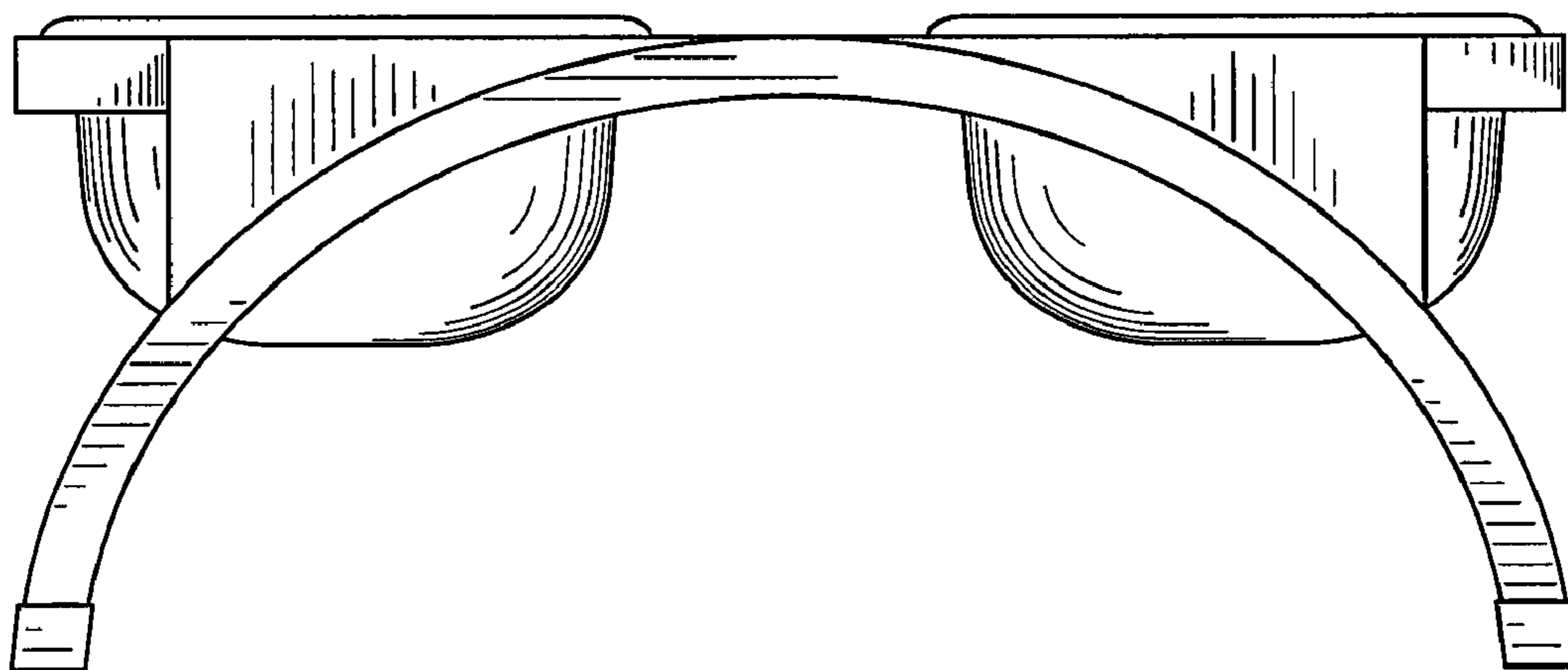
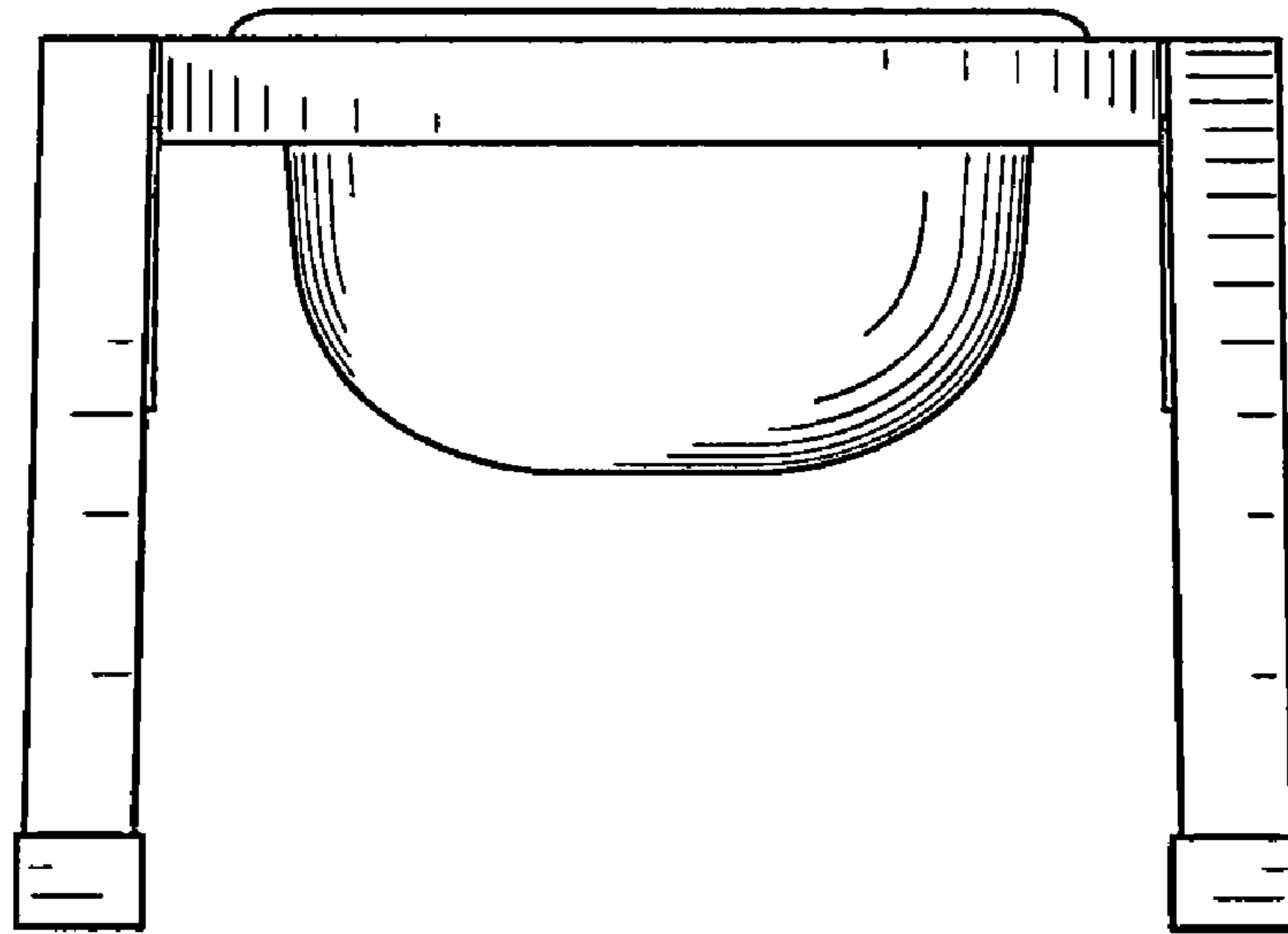
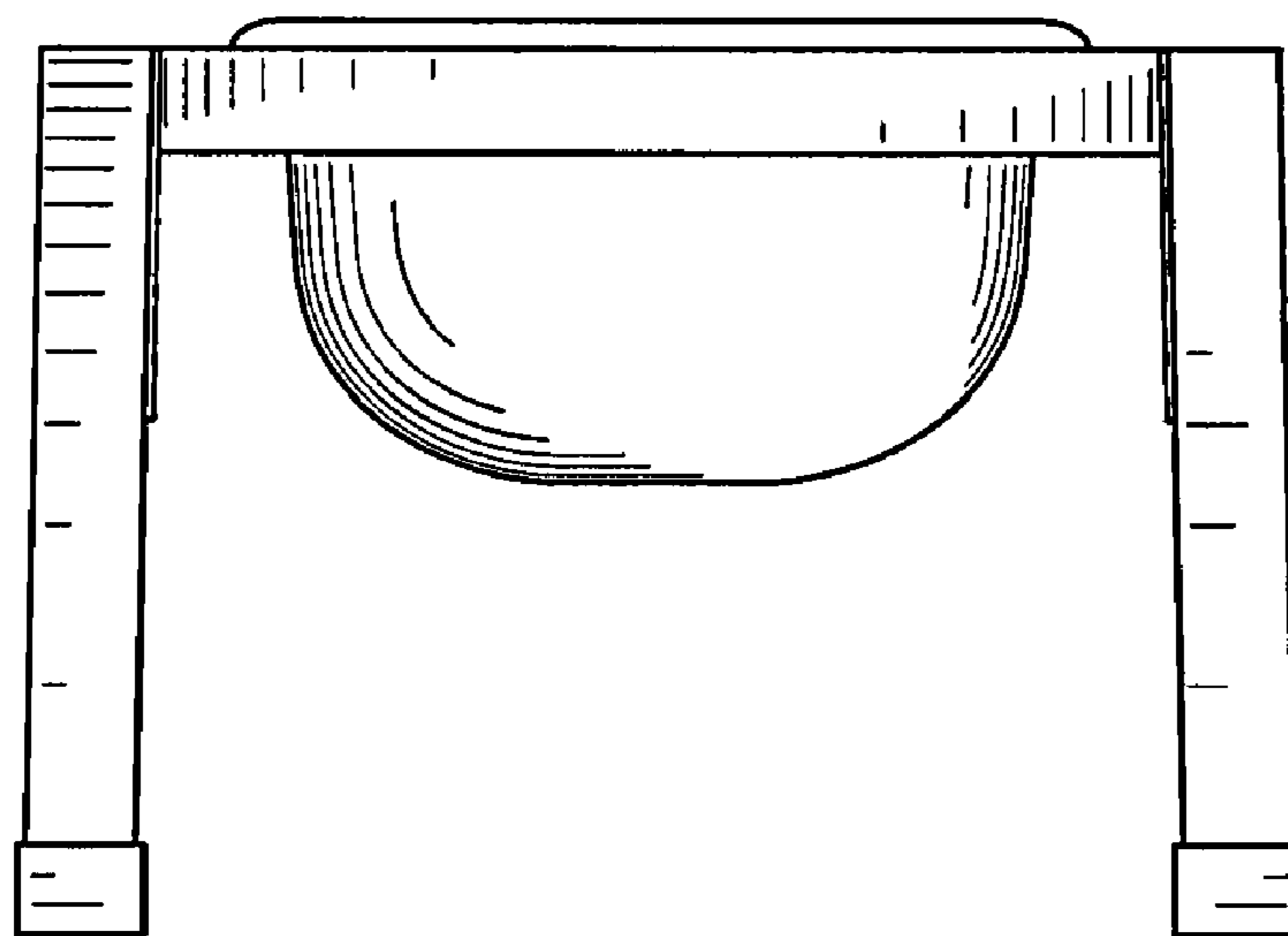


FIG. 4



**FIG. 5**



**FIG. 6**

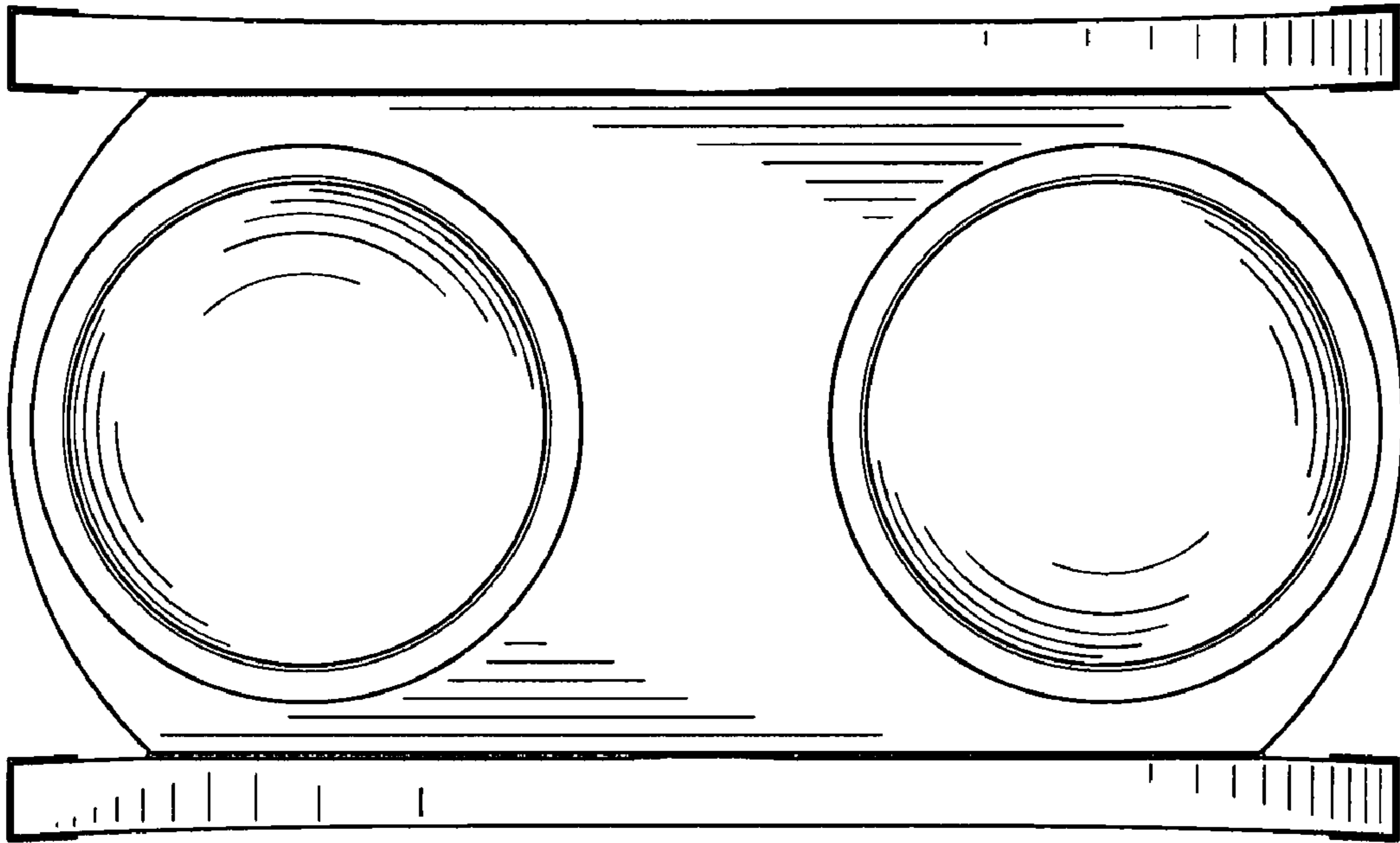


FIG. 7

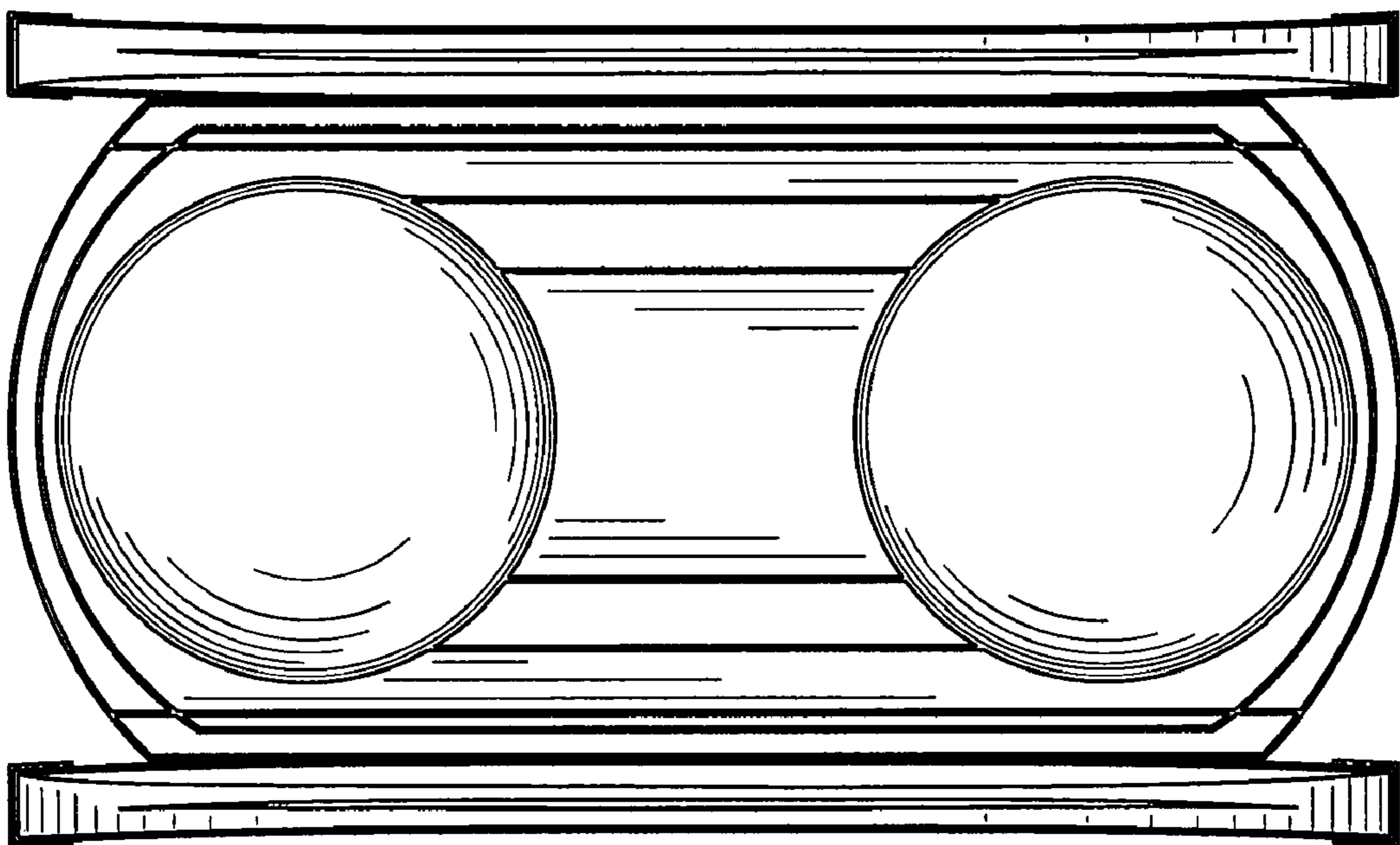


FIG. 8

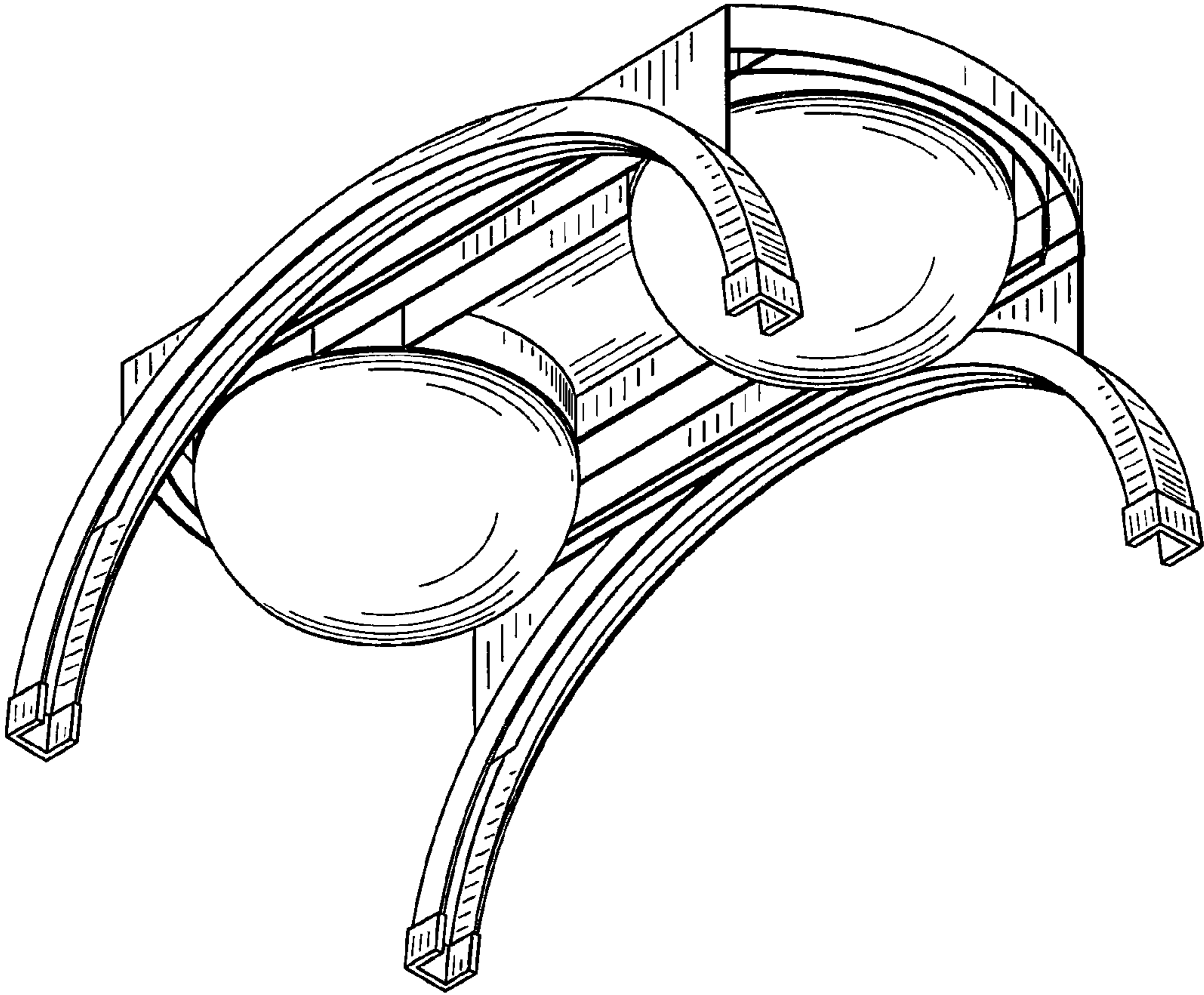


FIG. 9

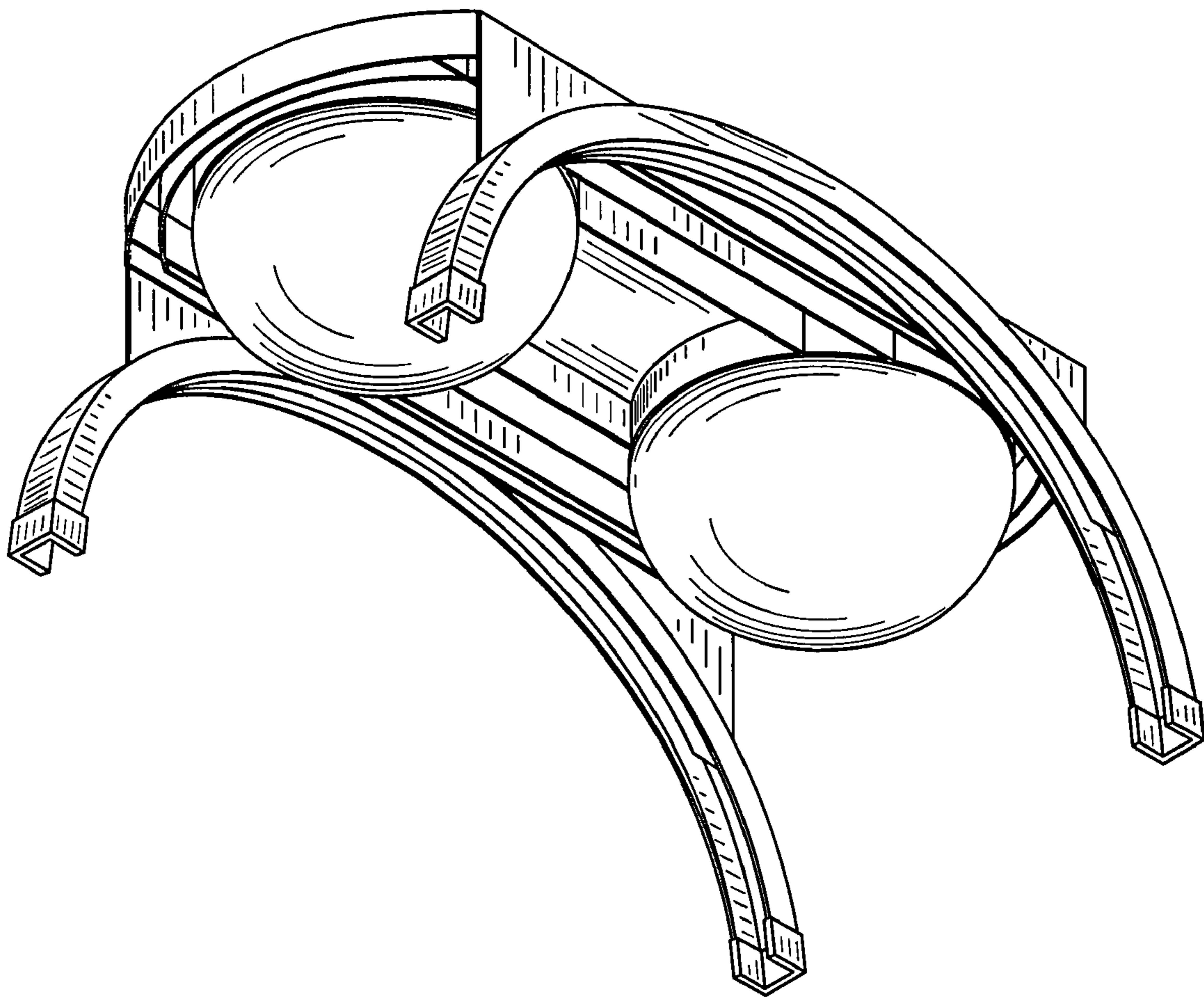


FIG. 10