



US00D679454S

(12) **United States Design Patent**
Moore, Jr.

(10) **Patent No.:** **US D679,454 S**

(45) **Date of Patent:** **** Apr. 2, 2013**

(54) **GAME FEEDER**

(76) Inventor: **John Wesley Moore, Jr.**, Dayton, TX
(US)

(**) Term: **14 Years**

(21) Appl. No.: **29/418,531**

(22) Filed: **Apr. 17, 2012**

(51) **LOC (9) Cl.** **30-03**

(52) **U.S. Cl.** **D30/133; D30/121; D30/199**

(58) **Field of Classification Search** D30/133,
D30/121, 122, 124, 127, 128, 132, 131; 119/51.01,
119/61, 51.04, 53, 57.91, 54, 53.5, 52.4,
119/51.11, 63, 61.2, 52.1, 57.5, 57.6, 51.13,
119/62, 75, 500, 501; 239/7, 687, 379, 397.5;
222/199, 181.1, 181.2, 185.1, 557, 156, 485,
222/486, 548, 555; 220/200, 227, 247, 262;
221/174, 185.1, 289, 295, 296, 559; 454/35;
209/270, 283, 244; 52/194, 192; 49/279,
49/344, 357; D34/28

See application file for complete search history.

(56) **References Cited**

U.S. PATENT DOCUMENTS

272,236	A *	2/1883	Glennon	212/179
1,010,530	A *	12/1911	Taylor	212/223
1,218,008	A *	3/1917	Smith	182/128
1,359,691	A *	11/1920	Genuit	119/70
1,887,965	A *	11/1932	Stoner	254/323
2,530,785	A *	11/1950	Rocca	297/156
3,059,785	A *	10/1962	Buckeye	414/728
3,275,296	A *	9/1966	Meyer	254/8 R
3,521,860	A *	7/1970	Zehrunge, Jr. et al.	254/8 R
3,854,168	A *	12/1974	Bradley	452/189
3,866,759	A *	2/1975	Lucas	212/261
D242,757	S *	12/1976	Stark	D6/311
D246,859	S *	1/1978	Schmitz	D25/68
4,125,302	A *	11/1978	Peritz et al.	312/242
4,338,703	A *	7/1982	Tanner	452/187
D268,448	S *	3/1983	Callahan et al.	D34/33
4,427,092	A *	1/1984	Tentler	182/134
4,428,459	A *	1/1984	Peck	182/187
D273,828	S *	5/1984	Oshry	D6/397
D281,113	S *	10/1985	Plumb	D34/31

D285,378	S *	8/1986	Norell	D34/33
4,607,724	A *	8/1986	Hillberg	182/3
4,610,414	A *	9/1986	Schuck	248/449
4,669,703	A *	6/1987	Hawkins et al.	254/8 B
4,782,918	A *	11/1988	Brunner et al.	182/187
4,787,476	A *	11/1988	Lee	182/116
4,806,063	A *	2/1989	York	414/462
D305,833	S *	2/1990	Koves	D6/312
4,936,416	A *	6/1990	Garon	182/187
4,945,859	A *	8/1990	Churchwell	119/57.91
D319,926	S *	9/1991	Solomon	D6/312
5,049,110	A *	9/1991	Owens	452/187
5,076,448	A *	12/1991	Ballard	212/294
D324,599	S *	3/1992	Bailey	D34/31
5,119,765	A *	6/1992	Roush, Jr.	119/57.91
5,143,177	A *	9/1992	Smith	182/187
5,199,527	A *	4/1993	Jennings	182/187
5,211,601	A *	5/1993	Cope	452/187
D341,242	S *	11/1993	Thorby	D34/33
5,263,675	A *	11/1993	Roberts et al.	248/219.4
D344,637	S *	3/1994	Brown	D6/310
5,299,659	A *	4/1994	Imbeault et al.	414/592
D349,996	S *	8/1994	Litwiller	D34/33
D355,293	S *	2/1995	Parker	D34/28
5,421,290	A *	6/1995	Welch	119/51.11

(Continued)

Primary Examiner — Susan Moon Lee

(74) *Attorney, Agent, or Firm* — John K. Buche; Buche & Associates, P.C.

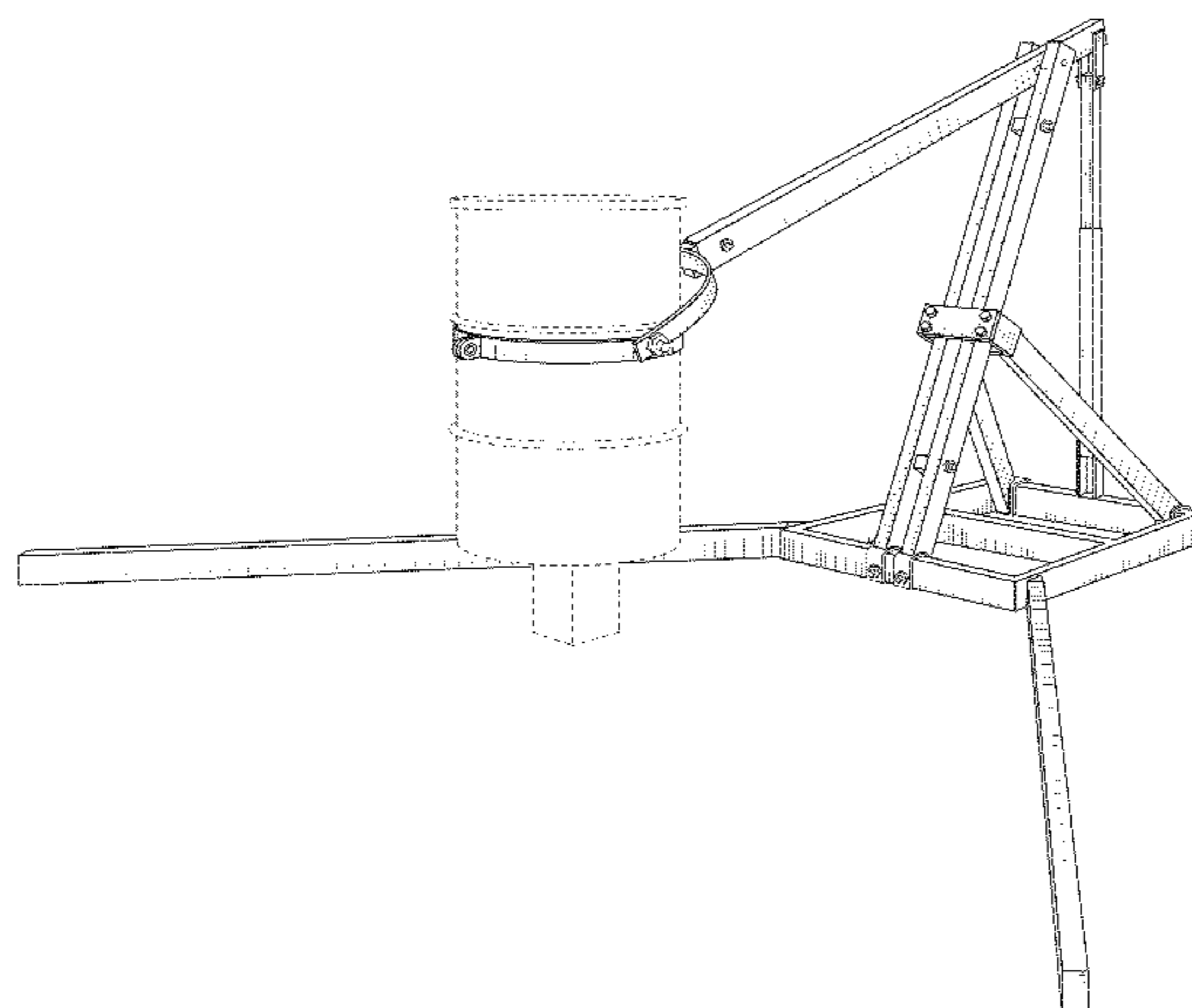
(57) **CLAIM**

I claim the ornamental design for a game feeder, as shown and described.

DESCRIPTION

FIG. 1 is a perspective view of a game feeder;
FIG. 2 is a front view of the game feeder of FIG. 1;
FIG. 3 is a rear view of the game feeder of FIG. 1;
FIG. 4 is a left side view of the game feeder of FIG. 1;
FIG. 5 is a right side view of the game feeder of FIG. 1;
FIG. 6 is top view of the game feeder of FIG. 1;
FIG. 7 is a bottom view of the game feeder of FIG. 1; and,
FIG. 8 is an environmental view of the game feeder of FIG. 1.
Broken lines and portions contained within are not claimed.

1 Claim, 6 Drawing Sheets



US D679,454 S

Page 2

U.S. PATENT DOCUMENTS

5,431,526	A *	7/1995	Peterson et al.	414/543	6,684,812	B1 *	2/2004	Tucker	119/57.91
D367,144	S *	2/1996	Poskocil et al.	D34/33	6,695,688	B1 *	2/2004	Owen et al.	452/187
5,494,251	A *	2/1996	Katz	248/449	6,739,964	B2 *	5/2004	Gearhart	452/187
D367,767	S *	3/1996	Rhodes	D6/312	6,994,618	B1 *	2/2006	Syers	452/187
D368,165	S *	3/1996	Foster	D6/311	7,007,927	B2 *	3/2006	Halas	254/225
5,503,108	A *	4/1996	Shaw	119/57.8	7,007,964	B2 *	3/2006	Lewoczko	280/293
5,562,534	A *	10/1996	McGough	452/187	7,059,955	B2 *	6/2006	Green et al.	452/189
D376,240	S *	12/1996	Finnigan et al.	D34/33	7,059,956	B1 *	6/2006	Summerlin	452/192
D376,886	S *	12/1996	Dunn et al.	D34/28	D535,826	S *	1/2007	Toghanian	D6/300
5,588,907	A *	12/1996	DePietro et al.	452/187	7,191,732	B2 *	3/2007	Neal, Jr.	119/57.91
5,597,081	A *	1/1997	Shirley	212/299	7,226,040	B2 *	6/2007	Keister	254/324
5,794,563	A *	8/1998	Klepac	119/57.91	7,244,173	B2 *	7/2007	Lake	452/128
5,820,455	A *	10/1998	Breedlove	452/187	7,314,406	B2 *	1/2008	Bilinovich	452/185
5,842,541	A *	12/1998	Arcuri	182/187	7,341,507	B1 *	3/2008	Julian, Sr.	452/192
5,862,777	A *	1/1999	Sweeney	119/57.91	D572,026	S *	7/2008	Paniccia	D6/311
5,897,100	A *	4/1999	Napier et al.	254/8 B	D577,875	S *	9/2008	Dorsett	D34/31
D413,681	S *	9/1999	Zumwalt	D25/68	7,458,563	B1 *	12/2008	Liu	254/334
D423,686	S *	4/2000	Swain	D25/68	7,476,149	B2 *	1/2009	Burrows	452/187
D423,751	S *	4/2000	Owen	D34/33	7,485,032	B1 *	2/2009	Hogue	452/187
6,045,442	A *	4/2000	Bounds	452/187	7,544,120	B1 *	6/2009	Tardif et al.	452/187
D424,308	S *	5/2000	Hutten	D6/312	7,625,269	B2 *	12/2009	Godwin	452/129
D427,790	S *	7/2000	Gargan	D6/338	D613,022	S *	3/2010	Laursen	D34/23
6,089,431	A *	7/2000	Heyworth	224/521	7,780,027	B2 *	8/2010	Coady	220/23.86
D431,890	S *	10/2000	Twilligear et al.	D34/33	D625,386	S *	10/2010	Missildine	D22/199
6,138,991	A *	10/2000	Myers, Jr.	254/323	7,806,755	B1 *	10/2010	Martinelli et al.	452/187
D433,761	S *	11/2000	Phillips	D25/62	D628,872	S *	12/2010	Stanley	D8/354
D438,684	S *	3/2001	Hernandez	D34/33	7,913,980	B1 *	3/2011	Cipriano	254/393
6,202,964	B1 *	3/2001	Thornhill	248/219.4	D644,811	S *	9/2011	Clark	D34/33
6,238,171	B1 *	5/2001	Carter	414/563	2001/0023794	A1 *	9/2001	Andrey	182/116
D454,998	S *	3/2002	Czemerer	D34/28	2005/0076843	A1 *	4/2005	Ansaldo	119/57.91
D465,635	S *	11/2002	Hong	D34/33	2005/0229860	A1 *	10/2005	Meritt	119/53
D467,403	S *	12/2002	Aquino	D34/33	2006/0196435	A1 *	9/2006	Bilinovich	119/57.91
6,557,598	B2 *	5/2003	Glover et al.	141/387	2009/0304900	A1 *	12/2009	Augustin	426/630
D477,440	S *	7/2003	Ansaldo	D30/121	2012/0085289	A1 *	4/2012	Quiring et al.	119/57.91
6,622,653	B1 *	9/2003	Starnes, Jr.	119/51.01					

* cited by examiner

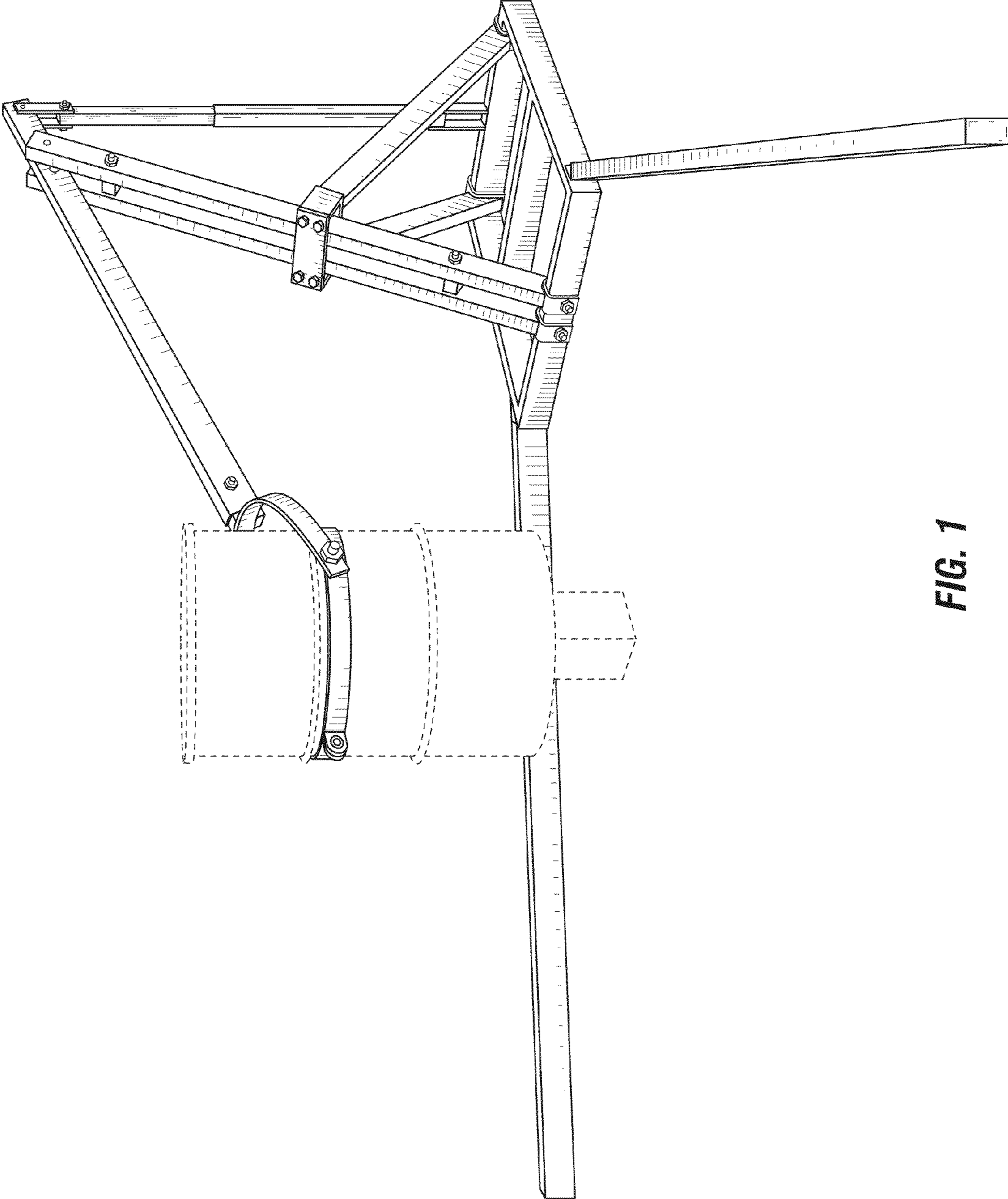


FIG. 1

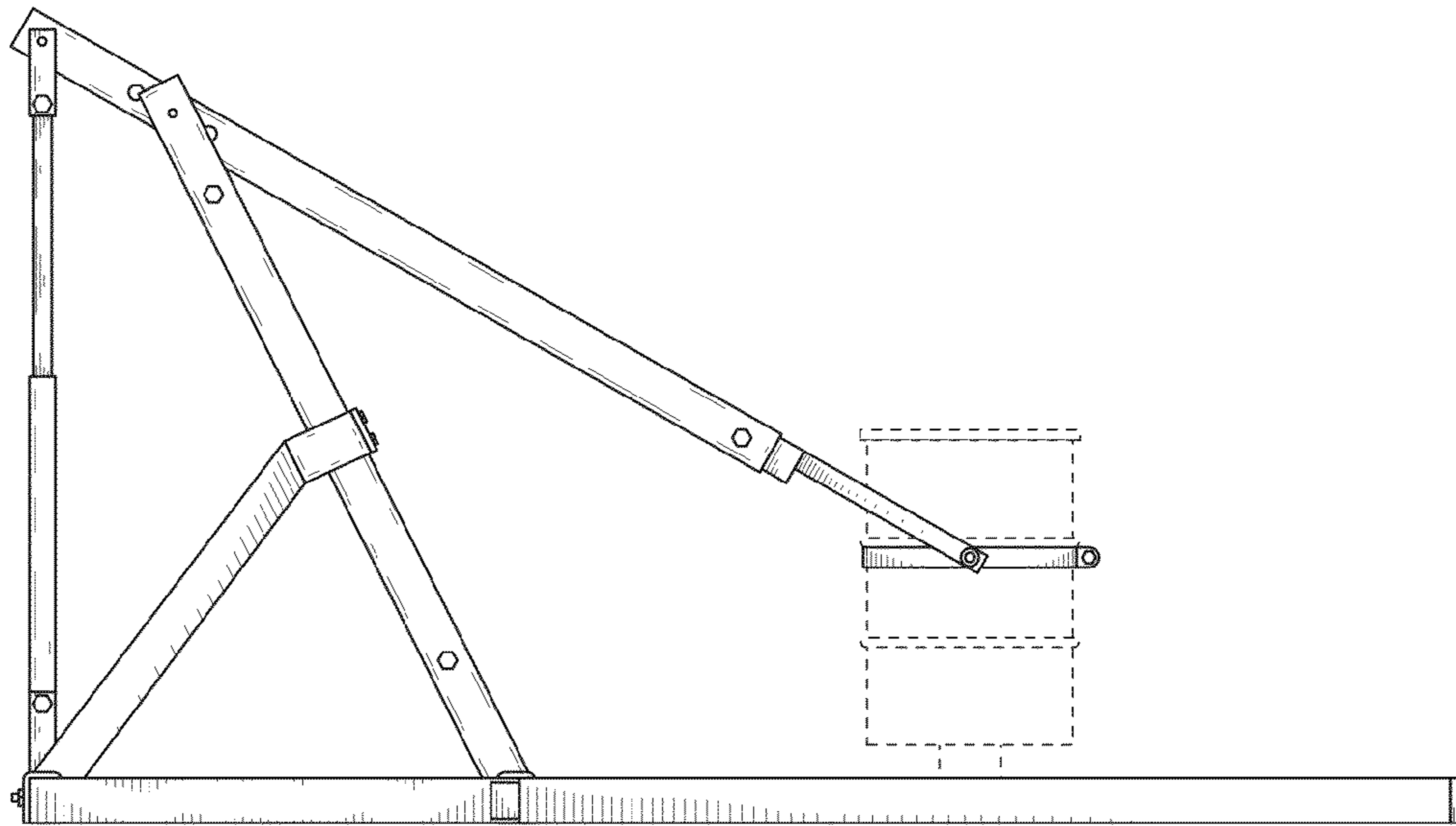


FIG. 2

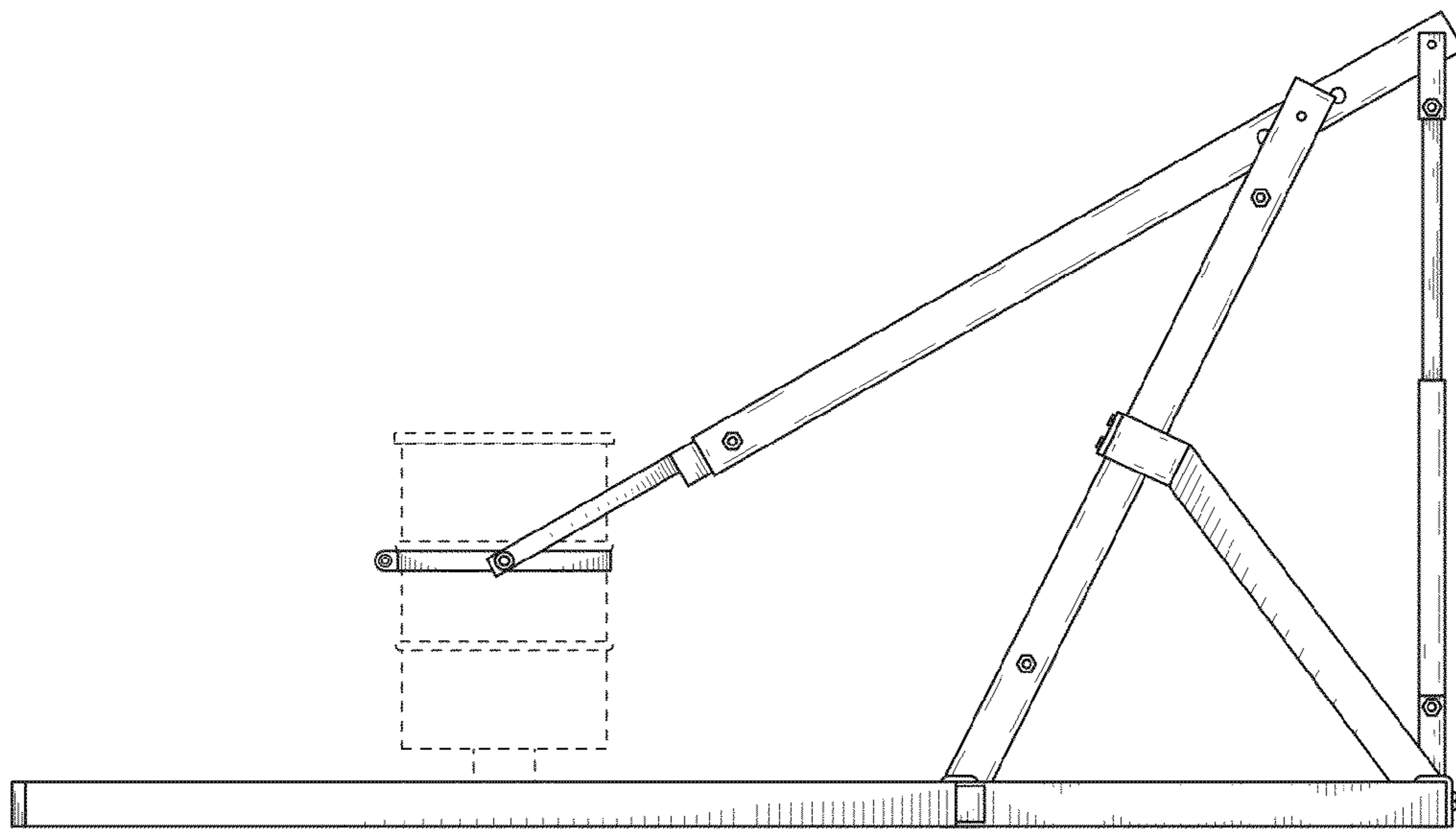


FIG. 3

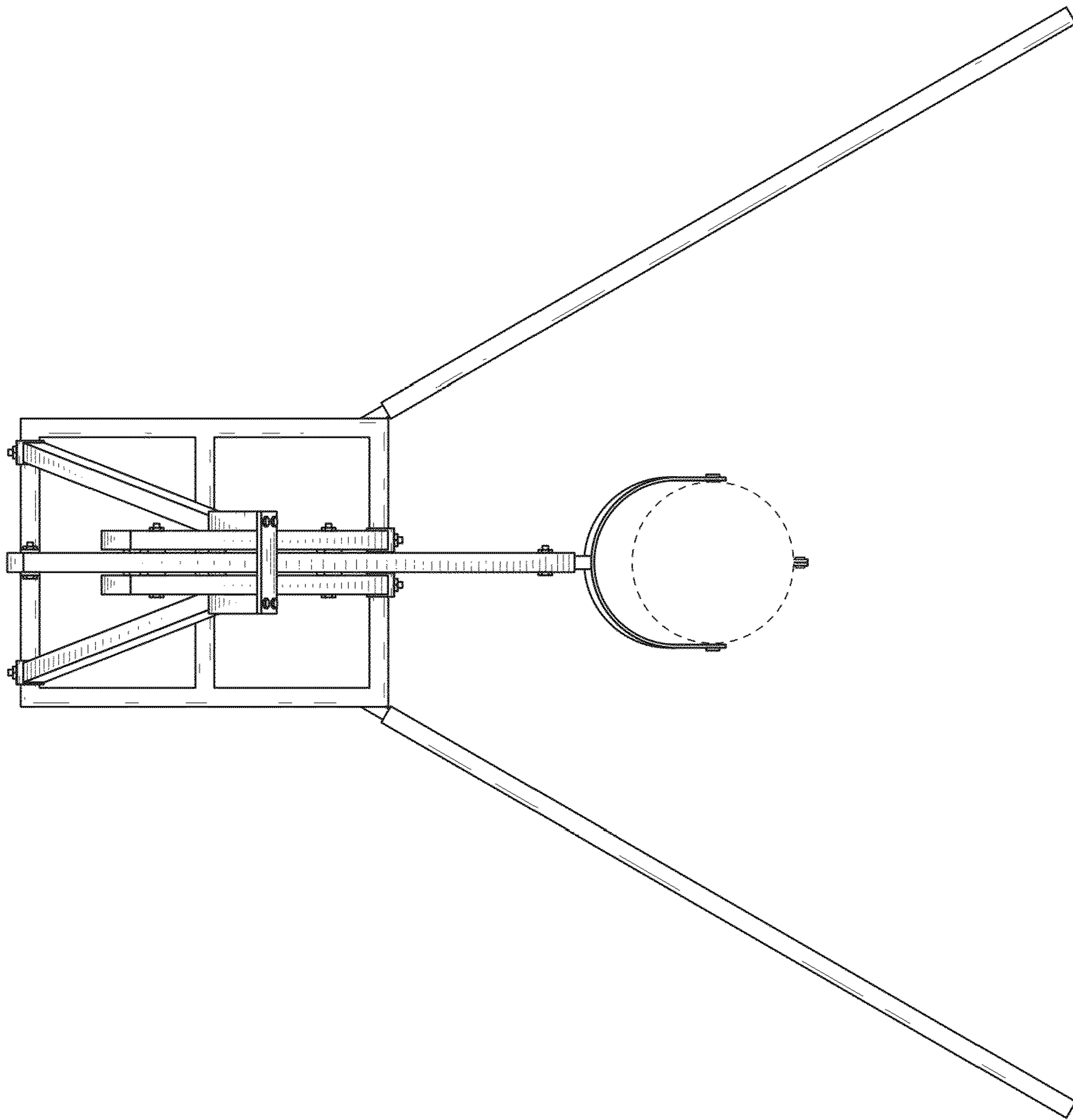


FIG. 4

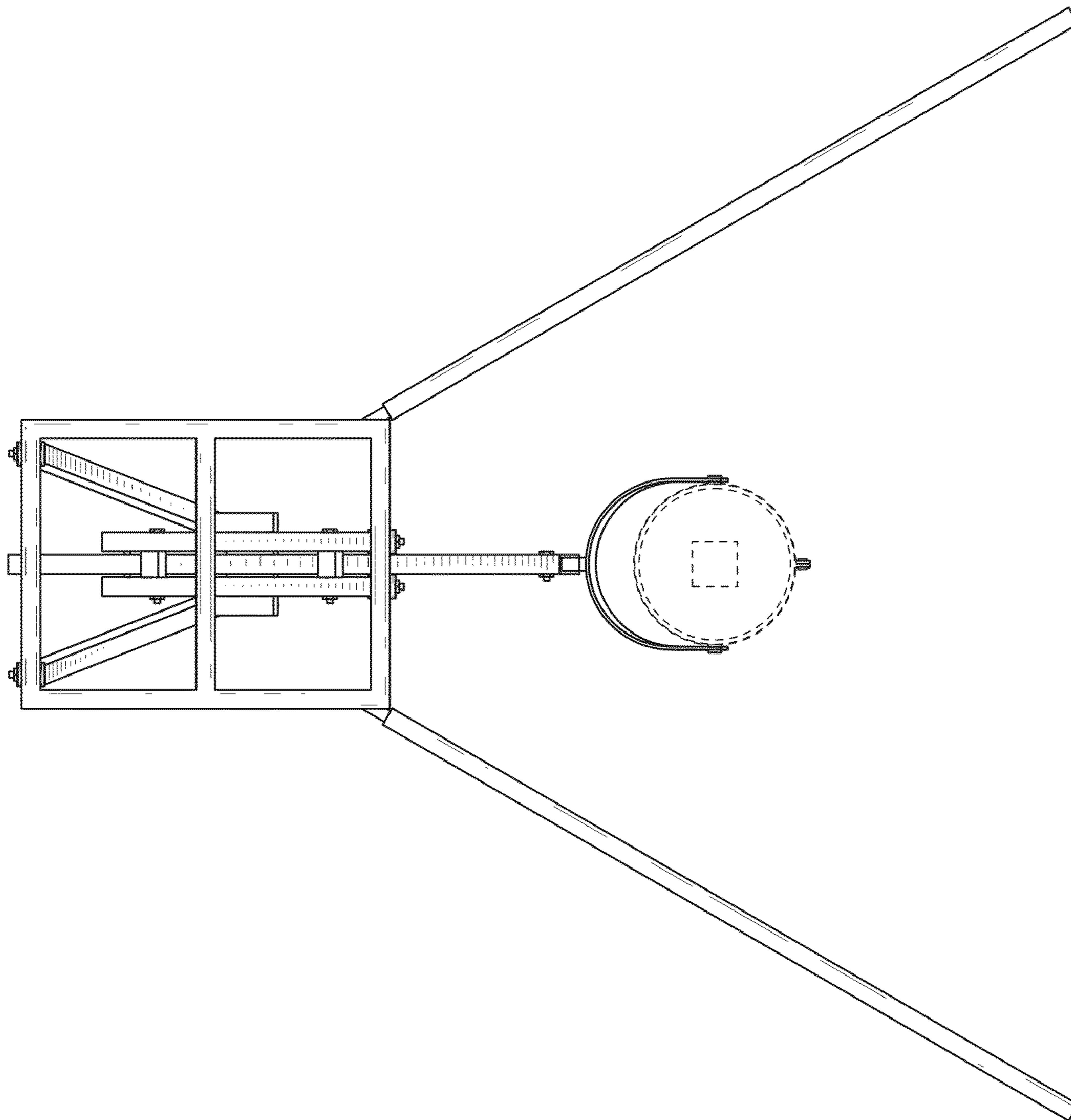


FIG. 5

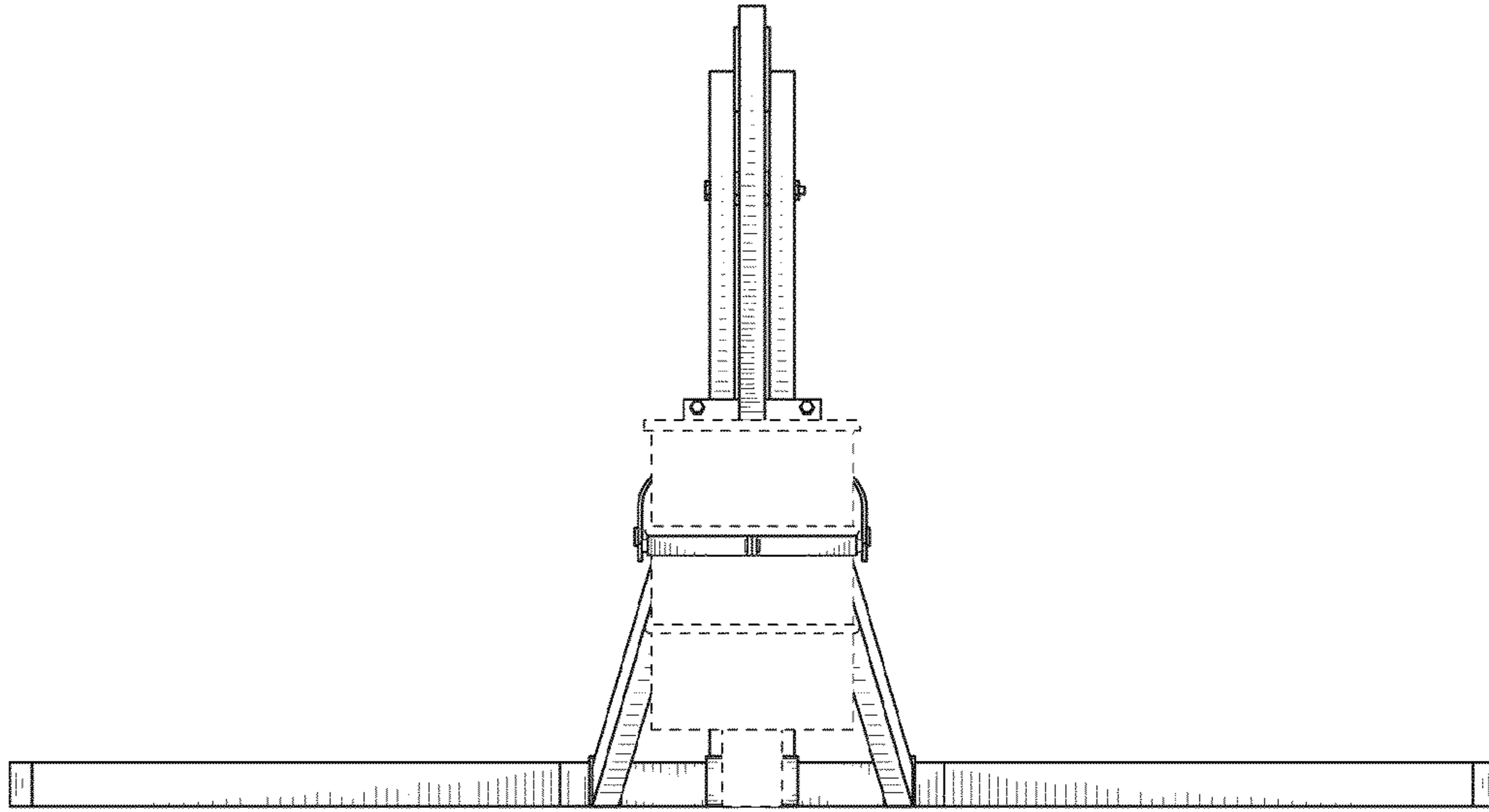


FIG. 6

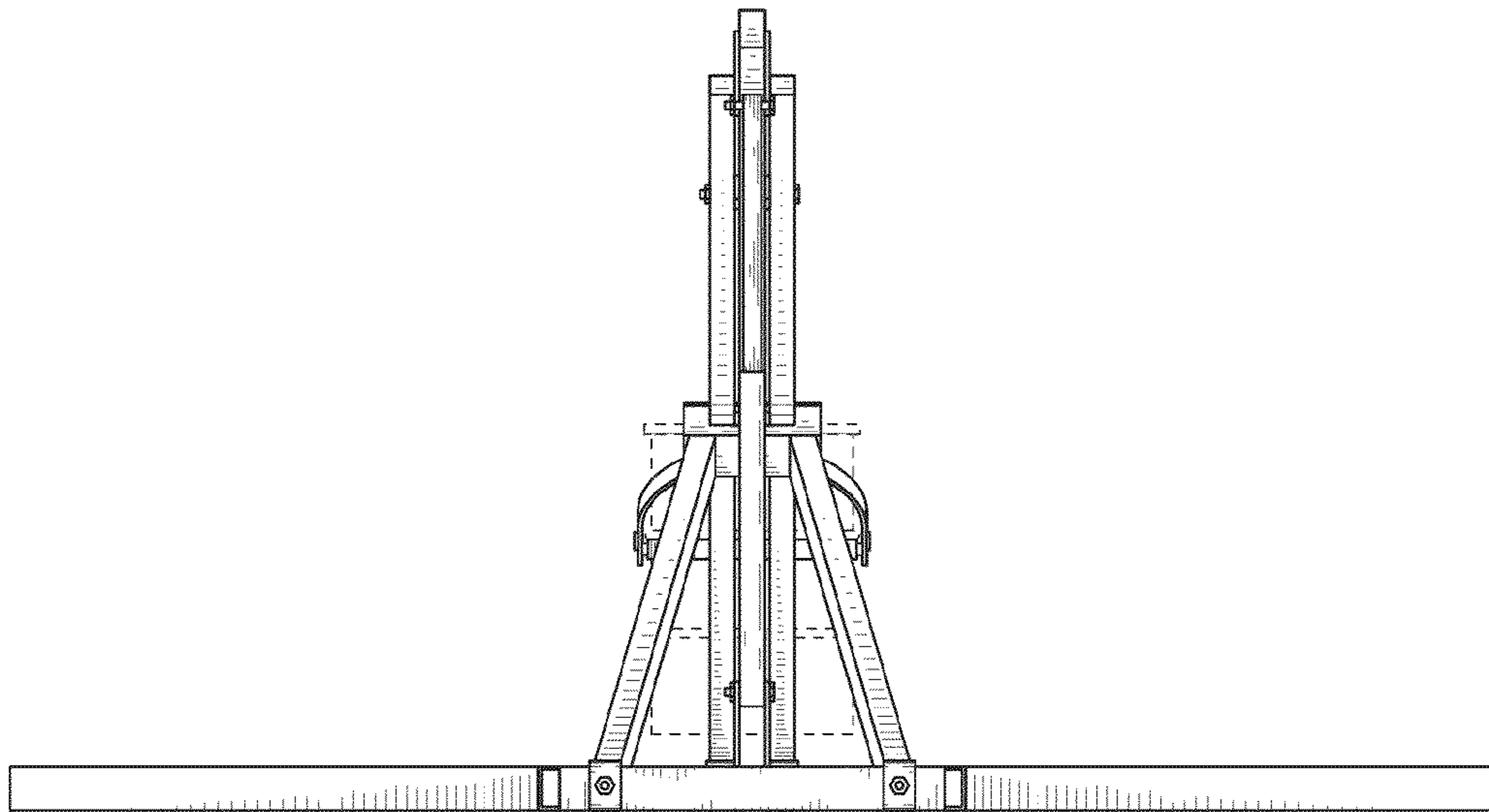


FIG. 7

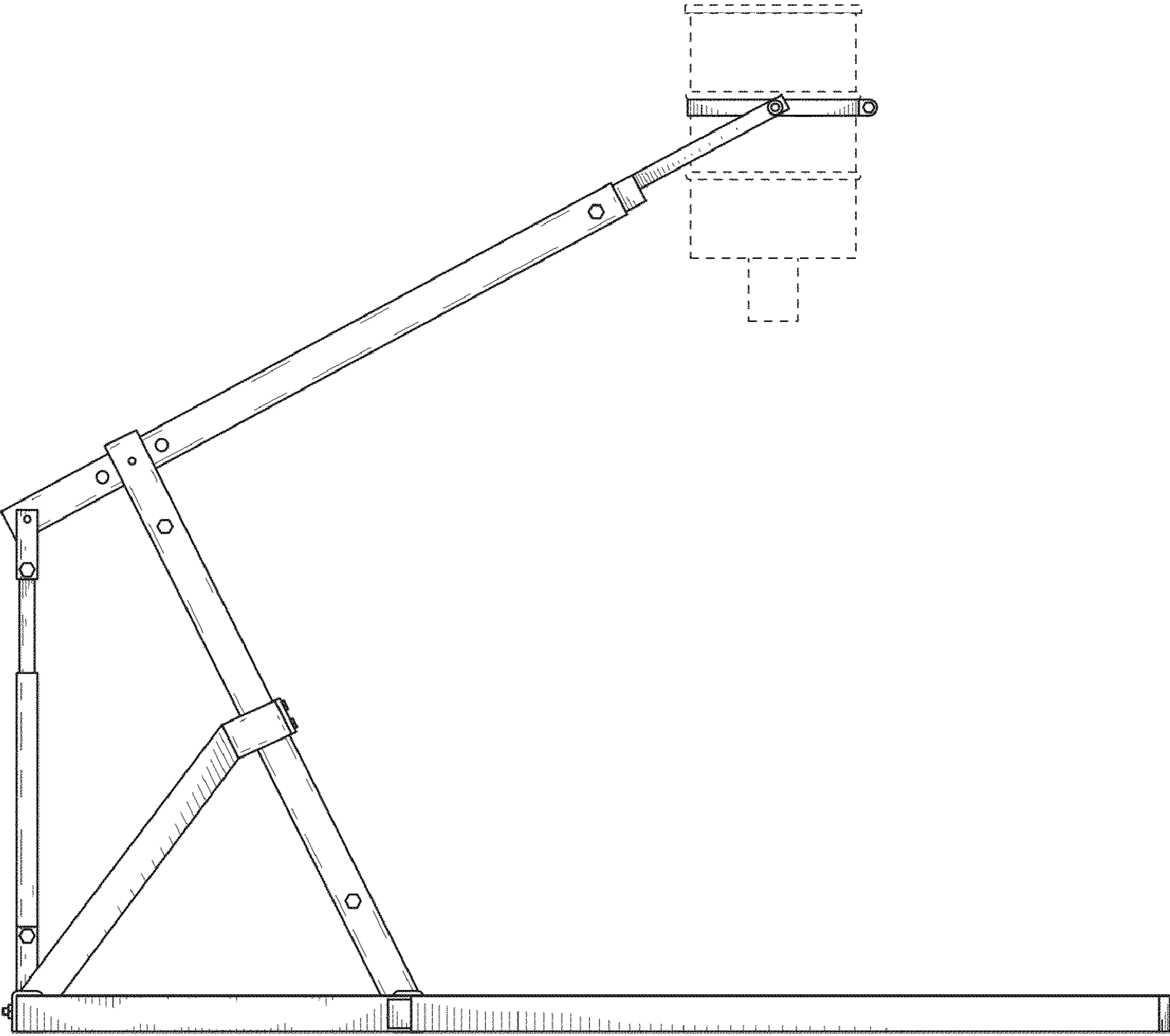


FIG. 8