



US00D679453S

(12) **United States Design Patent**
Krueger et al.

(10) **Patent No.:** **US D679,453 S**

(45) **Date of Patent:** **** Apr. 2, 2013**

- (54) **BIRD FEEDER**
- (75) Inventors: **Bryan Krueger**, Denver, CO (US);
James Carter, Denver, CO (US)
- (73) Assignee: **Classic Brands LLC**, Denver, CO (US)
- (**) Term: **14 Years**
- (21) Appl. No.: **29/387,518**
- (22) Filed: **Mar. 14, 2011**
- (51) **LOC (9) Cl.** **30-03**
- (52) **U.S. Cl.** **D30/128; D30/127**
- (58) **Field of Classification Search** D30/121,
D30/124, 126-129, 133, 199, 110-112, 123,
D30/125; 119/52.2, 51.5, 61.5, 57.8, 57.9,
119/52.3, 61.1, 531, 63, 428-435, 52.4, 55,
119/61.3, 69.5, 75, 76; 47/67, 83; 248/318;
D11/164, 152; 211/128.1; D27/123; D6/495,
D6/460, 461, 476, 405

See application file for complete search history.

(56) **References Cited**

U.S. PATENT DOCUMENTS

D8,908 S	1/1876	Wiley
D28,734 S	5/1898	Muller
721,435 A	2/1903	Fielding
1,010,543 A	12/1911	Walter et al.
1,023,240 A	4/1912	Bowier
1,091,392 A	3/1914	Schlichtinger
1,107,206 A	8/1914	Schwartzburg
1,136,092 A	4/1915	Blumere
1,181,045 A	4/1916	Tessier
1,391,353 A	9/1921	Wells
1,423,547 A	7/1922	Strohbach
D62,916 S	8/1923	Peck
1,555,407 A	9/1925	Ferris
1,566,571 A	12/1925	Appleton
D71,107 S	9/1926	Gorowitz
D76,001 S	8/1928	Broch
D84,104 S	5/1931	Rithner
D95,019 S	4/1935	Cooperstein
D105,812 S	8/1937	Siekert

D115,321 S	*	6/1939	Pueschel	D30/128
D121,675 S		7/1940	Goldin		
D126,997 S		5/1941	Bentzen et al.		
D130,923 S		12/1941	Philipovich		
2,267,883 A		12/1941	Wood		
D132,522 S		5/1942	Fuerst et al.		
D140,392 S		2/1945	Haynes		
2,432,632 A		12/1947	Seibel		
D149,729 S		5/1948	Aronek		
2,475,207 A		7/1949	Smith		
2,570,733 A		10/1951	Thomas		
D165,628 S		1/1952	Blazier		
2,641,086 A		6/1953	Stephen		
D173,658 S	*	12/1954	Jones	D30/128
2,696,803 A		12/1954	Deffenbaugh		
D174,139 S	*	3/1955	Sadler	D30/128
D174,909 S		6/1955	Kllegberg		
D175,435 S		8/1955	Moffat		
D178,917 S	*	10/1956	England et al.	D9/539
2,891,508 A		6/1959	Bower		
2,944,516 A		7/1960	Malloy, Sr.		

(Continued)

OTHER PUBLICATIONS

Ex Parte Quayle Action, U.S. Appl. No. 29/382,076, mailed Mar. 23, 2012, 13 pages.

(Continued)

Primary Examiner — Susan Moon Lee

(74) *Attorney, Agent, or Firm* — Polsinelli Shughart PC

(57) **CLAIM**

The ornamental design for a bird feeder, as shown and described.

DESCRIPTION

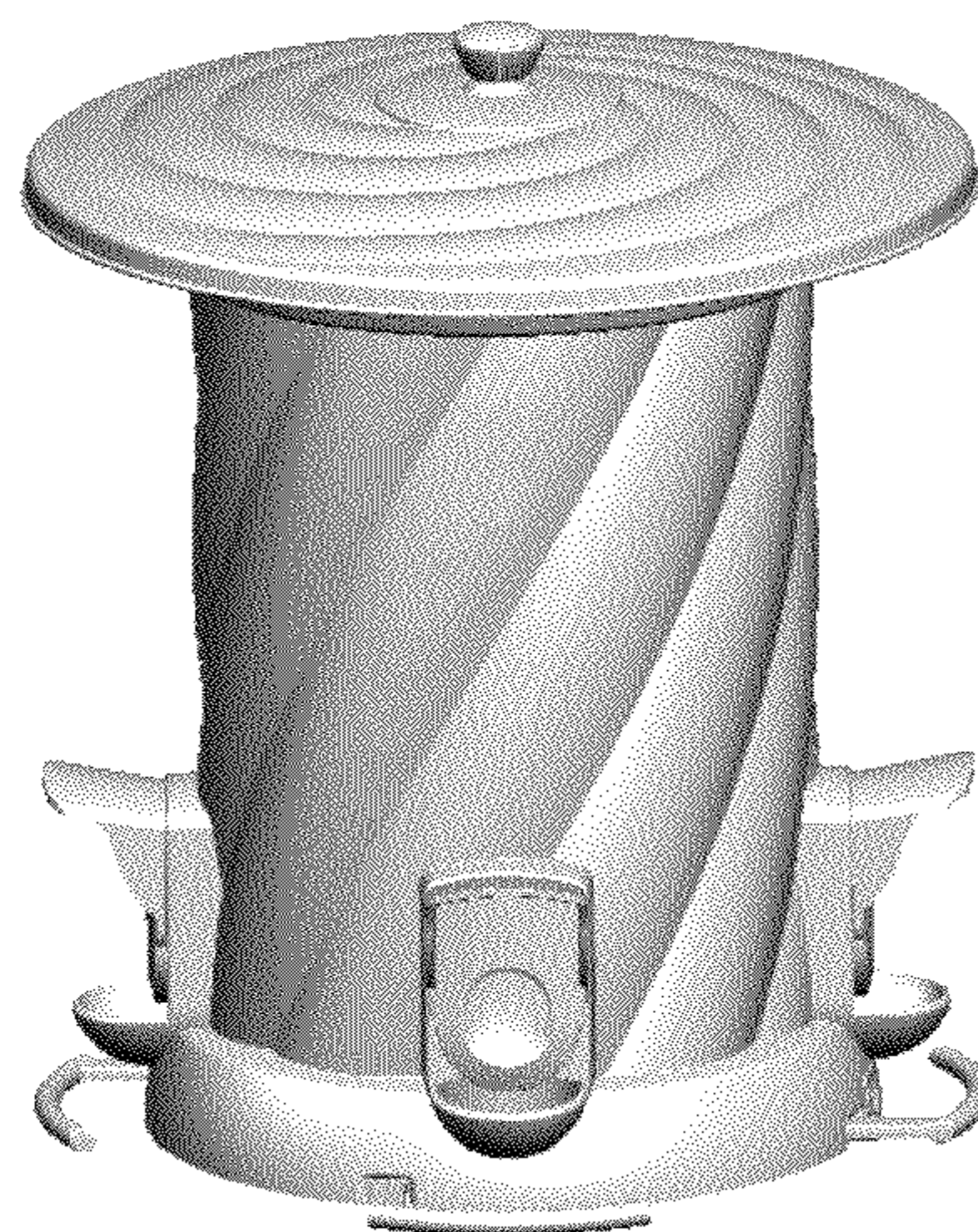
FIG. 1 is a front perspective view of a bird feeder embodying my new design.

FIG. 2 is a right side elevational view thereof, the left side and back elevational views being substantially the same.

FIG. 3 top view thereof; and,

FIG. 4 is a bottom view thereof.

1 Claim, 4 Drawing Sheets



US D679,453 S

Page 2

U.S. PATENT DOCUMENTS					
3,022,768	A	2/1962	Lynch		
3,050,619	A	8/1962	Abramson		
3,051,303	A	8/1962	Daanen		
D194,846	S	3/1963	Perry		
3,089,605	A	5/1963	Buonauro		
3,090,354	A *	5/1963	Merritt et al.	119/52.4	
D196,777	S	11/1963	Haynes		
3,125,069	A	3/1964	Fowler		
3,136,296	A *	6/1964	Luin	119/52.2	
D200,472	S	3/1965	Chang		
3,244,150	A	4/1966	Benton		
D205,772	S	9/1966	Blair		
3,307,602	A	3/1967	Boster		
3,316,884	A	5/1967	Viggars		
3,372,676	A	3/1968	Williams		
D214,172	S	5/1969	Troutman		
3,491,724	A	1/1970	Sunner		
D217,470	S	5/1970	Morrow		
3,634,678	A	1/1972	Glass et al.		
D234,180	S	1/1975	Dart et al.		
D234,615	S	3/1975	Kilham		
D236,139	S	7/1975	Kilham		
3,901,192	A	8/1975	Adams		
3,913,527	A	10/1975	Kilham		
3,928,936	A	12/1975	Wollen		
D239,182	S	3/1976	Kilham		
D241,149	S	8/1976	Miller et al.		
D244,786	S *	6/1977	Dryden	D30/128	
4,030,451	A	6/1977	Miller		
4,037,361	A	7/1977	Murphy et al.		
D245,643	S	8/1977	Orfei		
D246,294	S	11/1977	Hetherington		
4,082,872	A	4/1978	Hughes		
4,085,706	A	4/1978	Evans		
D248,006	S	5/1978	Christian		
D252,288	S	7/1979	Kilham		
D258,338	S	2/1981	Gersin		
4,327,669	A *	5/1982	Blasbalg	119/57.8	
D267,355	S *	12/1982	Blasbalg	D30/127	
4,369,216	A	1/1983	Willinger		
4,395,015	A	7/1983	Reardon		
D271,434	S	11/1983	Love		
D273,429	S	4/1984	Kilham		
D274,563	S	7/1984	Blasbalg		
D277,703	S	2/1985	Kilham		
D277,988	S	3/1985	Kilham		
D280,559	S	9/1985	Bentall		
D281,768	S	12/1985	Hansen, Jr.		
4,588,618	A	5/1986	Wolfe		
D285,840	S	9/1986	Poon		
D287,652	S	1/1987	Mack		
D288,353	S	2/1987	Smith		
D290,769	S	7/1987	Taylor		
4,691,665	A	9/1987	Hefner		
4,708,892	A	11/1987	Young et al.		
4,712,512	A *	12/1987	Schreib et al.	119/52.2	
4,789,572	A	12/1988	Weaver		
4,798,172	A	1/1989	Clarke		
D299,770	S *	2/1989	Coffer	D30/127	
D304,536	S	11/1989	Blaser		
4,896,628	A *	1/1990	Kadunce	119/52.2	
D309,639	S	7/1990	Knudsen		
D309,640	S	7/1990	Knudsen		
D314,253	S	1/1991	Goetz		
4,996,947	A	3/1991	Petrides		
5,033,411	A *	7/1991	Brucker	119/52.2	
D322,044	S	12/1991	Marsar et al.		
5,083,881	A	1/1992	Yoshinaga		
D324,436	S *	3/1992	Embree	D30/127	
D326,003	S *	5/1992	Embree	D30/128	
D331,647	S	12/1992	Embree		
D331,864	S	12/1992	Sciubba		
5,183,005	A	2/1993	Tyler		
5,195,463	A	3/1993	Lorenzana et al.		
D335,006	S *	4/1993	Blasbalg	D30/127	
D343,030	S	1/1994	Harwick, Jr.		
D345,444	S	3/1994	Kestekides-Kesdekoglu		
5,289,796	A *	3/1994	Armstrong	119/52.3	
5,291,855	A *	3/1994	Lavery	119/52.3	
D347,714	S	6/1994	Maple et al.		
D360,710	S	7/1995	Colwell		
5,450,816	A	9/1995	Santa Cruz		
D365,411	S	12/1995	Yan		
5,490,480	A	2/1996	Dumond		
D368,337	S	3/1996	Dickinson		
D368,989	S	4/1996	Prehart		
5,507,249	A	4/1996	Shaw		
D370,313	S *	5/1996	Nottingham et al.	D30/125	
D371,230	S	6/1996	Nottingham et al.		
5,522,758	A	6/1996	Liu et al.		
D371,401	S	7/1996	Nielsen et al.		
D371,838	S	7/1996	Davis et al.		
5,564,226	A	10/1996	Paramest		
D376,731	S *	12/1996	Lin	D7/536	
D378,312	S	3/1997	Davis, Jr.		
D380,066	S	6/1997	Green et al.		
5,638,638	A	6/1997	Moskowitz		
D382,376	S	8/1997	Bescherer		
D383,878	S	9/1997	Merino et al.		
D386,811	S	11/1997	Milicia		
D386,835	S *	11/1997	Passamare	D30/124	
D386,836	S *	11/1997	Hunt	D30/124	
5,682,835	A	11/1997	Walter		
D387,156	S	12/1997	Johnson		
D388,235	S	12/1997	Wilson et al.		
5,701,841	A	12/1997	Fasino		
D392,763	S	3/1998	Denison		
D394,468	S	5/1998	Leadbetter		
5,782,200	A *	7/1998	Knowles et al.	119/53	
D397,529	S *	8/1998	Fuller et al.	D30/124	
5,800,047	A	9/1998	Yang		
5,806,460	A	9/1998	Klein		
D399,611	S *	10/1998	Ericson et al.	D30/124	
5,816,686	A	10/1998	Wang et al.		
5,823,135	A	10/1998	Gilchrist et al.		
5,845,605	A	12/1998	Malamphy		
5,848,493	A	12/1998	Gasper		
5,899,555	A	5/1999	Lin		
D412,226	S	7/1999	Bellehumeur		
5,947,054	A	9/1999	Liethen		
D417,528	S	12/1999	Rizzo		
6,012,414	A	1/2000	Klein		
D420,176	S	2/2000	Heinzeroth		
D421,643	S	3/2000	Mauk		
6,095,087	A	8/2000	Bloedorn		
D431,760	S *	10/2000	Sullivan	D7/672	
D433,747	S	11/2000	Frampton		
D438,360	S	2/2001	Robinson		
D440,002	S	4/2001	Miranda		
D440,361	S *	4/2001	Colwell	D30/124	
D440,677	S	4/2001	Long et al.		
6,213,054	B1	4/2001	Marshall		
D443,711	S	6/2001	Lindsay		
D445,525	S	7/2001	Pan		
D445,533	S	7/2001	Arnoldo		
D445,939	S	7/2001	Pan		
6,305,321	B1	10/2001	Potente		
D450,786	S	11/2001	Jenkins et al.		
D451,997	S	12/2001	Schwartz		
D454,192	S	3/2002	Frampton		
D454,636	S	3/2002	Lantz		
D454,669	S	3/2002	Lieb		
6,360,690	B1 *	3/2002	Canby	119/52.2	
6,408,788	B1	6/2002	Lieb et al.		
D459,824	S	7/2002	Leen		
6,427,629	B1 *	8/2002	Lush	119/52.1	
6,439,158	B1	8/2002	Blohm		
6,450,120	B1	9/2002	Nylen		
D466,255	S *	11/2002	Kuelbs	D30/124	
D466,656	S *	12/2002	Kuelbs et al.	D30/133	
6,499,430	B2	12/2002	Garcia-Lucio et al.		
D470,621	S	2/2003	Cheng		
D470,630	S *	2/2003	Kuelbs	D30/128	
D471,327	S *	3/2003	Kuelbs	D30/125	
D473,739	S	4/2003	Lenger		
6,546,894	B2 *	4/2003	Chrisco et al.	119/52.2	
D476,755	S	7/2003	LoVullo et al.		

US D679,453 S

D478,475 S	8/2003	Backes et al.	D563,608 S	3/2008	Kitchen
D479,595 S	9/2003	Curtin	D563,616 S	3/2008	Lynde et al.
D479,596 S	9/2003	Curtin	D565,173 S	3/2008	Bucher et al.
D479,597 S	9/2003	Curtin	D567,098 S *	4/2008	Sequeira D9/552
D480,135 S	9/2003	Frampton	D568,754 S *	5/2008	Sequeira D9/560
D480,802 S	10/2003	Frampton	D569,301 S	5/2008	Fotherby
D480,803 S	10/2003	Frampton	7,370,607 B2	5/2008	O'Dell
D482,736 S	11/2003	Manville	7,373,901 B2 *	5/2008	Baynard 119/57.9
D483,529 S	12/2003	Fort, II	7,396,212 B1	7/2008	Parker et al.
D483,858 S	12/2003	Lin	D575,118 S *	8/2008	Bignon D7/672
D485,208 S	1/2004	Fan	D575,591 S *	8/2008	Bonetti D7/615
D485,345 S	1/2004	Bucher	D575,864 S	8/2008	Parker et al.
D485,350 S	1/2004	Frampton	7,409,922 B1 *	8/2008	Baynard et al. 119/52.3
D485,351 S	1/2004	Frampton	7,448,346 B1 *	11/2008	Stone et al. 119/52.3
D485,387 S	1/2004	Harbaugh	7,448,347 B2	11/2008	Richmond
D485,928 S	1/2004	Leung et al.	7,469,656 B2	12/2008	Hunter et al.
6,672,249 B2	1/2004	Garcia-Lucio et al.	D584,387 S	1/2009	Lee et al.
D488,195 S	4/2004	Manville	D585,625 S	1/2009	Gray
D488,219 S	4/2004	Frampton	7,484,475 B2 *	2/2009	Milliner 119/52.1
D489,128 S	4/2004	Frampton	D588,756 S	3/2009	Colvin et al.
D490,576 S	5/2004	Rich et al.	7,503,282 B1 *	3/2009	Lush 119/52.2
6,733,151 B2	5/2004	Shu	7,506,611 B1	3/2009	Lush
D490,745 S	6/2004	Fan	7,516,716 B2	4/2009	Puckett et al.
D491,019 S	6/2004	Marsden et al.	D592,362 S	5/2009	Rutherford et al.
D491,657 S	6/2004	Cartwright	D593,649 S	6/2009	Marvell
6,776,511 B1	8/2004	Lindsay	D595,525 S	7/2009	Dimond
D495,839 S	9/2004	Muday et al.	D597,197 S	7/2009	Parker et al.
D495,900 S *	9/2004	Mayse D6/469	D600,861 S	9/2009	Sin
D497,458 S *	10/2004	Nauert D30/199	D601,309 S	9/2009	Babal
D499,515 S	12/2004	Schulze et al.	7,600,487 B2	10/2009	Stone et al.
D502,293 S	2/2005	Harger	D604,436 S	11/2009	Poon
D502,294 S	2/2005	Hung	D606,708 S	12/2009	McMullen
D503,019 S *	3/2005	Swift et al. D30/127	D606,709 S	12/2009	McMullen
6,860,229 B1	3/2005	Craft	D606,878 S	12/2009	Lindfors
6,861,108 B1	3/2005	Potoroka, Sr.	D607,612 S *	1/2010	Yang D30/119
6,863,024 B1	3/2005	Obenshain	D609,329 S	2/2010	Parker et al.
6,866,004 B1 *	3/2005	Lush 119/52.1	D609,864 S *	2/2010	Tsai D30/127
D504,746 S *	5/2005	Lee D30/124	7,654,225 B2 *	2/2010	Madsen et al. 119/52.3
D505,755 S *	5/2005	Lundstrom et al. D30/128	D612,108 S	3/2010	Torres et al.
6,890,155 B2	5/2005	Cartwright	D612,549 S	3/2010	Garcia-Lucio et al.
D506,826 S	6/2005	Frampton	7,685,969 B2	3/2010	Stone et al.
D509,325 S	9/2005	Jung et al.	D614,825 S	4/2010	Biegel
D510,992 S	10/2005	Bucher	D615,310 S	5/2010	Cybulski
D512,800 S	12/2005	Jung et al.	D620,172 S	7/2010	Orozco
6,986,322 B2 *	1/2006	Lumpkin et al. 119/52.3	D622,910 S	8/2010	Puckett
D514,749 S	2/2006	Fort et al.	D623,806 S	9/2010	Modi et al.
D516,712 S	3/2006	Pickett	7,789,040 B2	9/2010	Liethen
7,032,538 B1	4/2006	Lush	D627,457 S	11/2010	Klausing et al.
7,032,539 B1	4/2006	Obenshain	D629,137 S	12/2010	Chen
7,040,251 B2	5/2006	Fort, II	D630,969 S	1/2011	Mattis
D523,955 S	6/2006	Badarello	7,861,671 B2	1/2011	Carter et al.
D524,490 S *	7/2006	Obenshain D30/127	D633,659 S	3/2011	Lai
D525,903 S	8/2006	Weiser et al.	D636,539 S	4/2011	Montoya
7,096,821 B2 *	8/2006	Ruff 119/51.01	D636,946 S	4/2011	Able
D529,220 S	9/2006	Izardel	7,946,249 B2	5/2011	Colvin et al.
D530,457 S	10/2006	Jung et al.	D641,516 S	7/2011	Chen
D532,132 S	11/2006	Holsinger et al.	8,011,323 B2	9/2011	Vaughn et al.
D535,445 S	1/2007	Obenshain	D649,299 S *	11/2011	Lush D30/127
D536,838 S	2/2007	Colvin et al.	D649,302 S *	11/2011	Hickok D30/127
D538,485 S	3/2007	Degironne	8,051,803 B2	11/2011	Gauker et al.
7,185,605 B1 *	3/2007	Lush 119/52.2	D650,514 S	12/2011	Lin et al.
D541,466 S	4/2007	Bucher et al.	D652,972 S	1/2012	Lee
D542,479 S	5/2007	O'Dell	D653,011 S	1/2012	Myers
D543,256 S *	5/2007	Chen D22/123	D656,279 S	3/2012	Tu
D543,665 S	5/2007	Hewitt et al.	D656,690 S *	3/2012	Tu D30/127
D544,942 S *	6/2007	Chen D22/123	D661,434 S	6/2012	Fields et al.
7,234,418 B2	6/2007	Fort et al.	D664,437 S *	7/2012	Barel D9/538
D545,984 S	7/2007	Leung et al.	8,230,809 B2 *	7/2012	Cote 119/52.3
D546,991 S	7/2007	Poon	8,272,607 B2	9/2012	Bonnema
D548,321 S	8/2007	Orozco	D671,692 S *	11/2012	Carter D30/124
D548,587 S	8/2007	DuVal et al.	2003/0033985 A1 *	2/2003	Hardison 119/57.9
7,258,075 B1 *	8/2007	Jones et al. 119/57.9	2003/0226514 A1	12/2003	Cote
7,261,056 B2	8/2007	Hunter et al.	2004/0010971 A1	1/2004	Redfield et al.
D554,252 S	10/2007	Bucher et al.	2004/0118354 A1	6/2004	Cox et al.
7,287,486 B2 *	10/2007	Hunter 119/57.8	2004/0134437 A1	7/2004	Fort
D556,568 S	12/2007	DuVal	2004/0261726 A1	12/2004	Lumpkin
D559,472 S	1/2008	Abinanti et al.	2005/0127074 A1	6/2005	Kusuma et al.
D561,021 S	2/2008	DuVal et al.	2006/0005774 A1	1/2006	Newman Bornhofen
D561,040 S *	2/2008	Sequeira D9/548	2006/0065202 A1	3/2006	Fort et al.

2006/0090707	A1	5/2006	Donegan	
2006/0225658	A1 *	10/2006	Baynard	119/57.8
2006/0266295	A1	11/2006	McDarren	
2006/0272585	A1	12/2006	O'Dell	
2007/0227453	A1	10/2007	Puckett et al.	
2008/0022936	A1	1/2008	Stone et al.	
2008/0035068	A1	2/2008	Gou	
2008/0134979	A1 *	6/2008	Crocker	119/51.5
2008/0257273	A1	10/2008	Carter et al.	
2008/0276874	A1	11/2008	Evans	
2009/0020075	A1	1/2009	Wood et al.	
2009/0078211	A1	3/2009	Charlton	
2009/0145875	A1	6/2009	Gardner	
2009/0283046	A1	11/2009	Black	
2009/0308321	A1	12/2009	Szczygiel-Durante	
2009/0320765	A1	12/2009	Gauker et al.	
2010/0024738	A1	2/2010	Chen et al.	
2010/0224132	A1	9/2010	Gauker et al.	
2010/0288200	A1 *	11/2010	Lush	119/52.3
2011/0011345	A1	1/2011	LoRocco et al.	
2011/0067637	A1	3/2011	Baynard	
2011/0083609	A1	4/2011	Cote	
2011/0180004	A1	7/2011	Humphries et al.	
2011/0226186	A1	9/2011	Hunter et al.	
2011/0297095	A1	12/2011	Cruz et al.	
2012/0037080	A1	2/2012	Hepp et al.	
2012/0055410	A1	3/2012	Cote	

OTHER PUBLICATIONS

Response to Ex Parte Quayle Action, U.S. Appl. No. 29/382,076, filed May 23, 2012, 9 pages.

Notice of Allowance, U.S. Appl. No. 29/382,075, mailed Feb. 1, 2012, 18 pages.

Restriction Requirement, U.S. Appl. No. 29/416,890 mailed Aug. 2, 2012, 5 pages.

Ex Parte Quayle Action, U.S. Appl. No. 29/416,885, mailed Aug. 2, 2012, 11 pages.

Response to Restriction Requirement, U.S. Appl. No. 29/416,890, filed Sep. 4, 2012, 13 pages.

Duncraft, Inc., JB's Hummingbird Feeder, (date unknown) located at <http://www.duncraft.com/JBS-Hummingbird-Feeder>, 3 pages, offered for sale no later than Mar. 27, 2012.

Duncraft, Inc., Jewel Hummingbird Feeder, (date unknown) located at <http://www.duncraft.com/Jewel-Cut-Hummingbird-Feeder>, 2 pages, offered for sale no later than Mar. 27, 2012.

Duncraft, Inc., Lantern Hummingbird Feeder, (date unknown) located at http://www.duncraft.com/index/page/product/product_id/1326/product_name/Lantern+Hummingbird+Feeder, 2 pages, offered for sale no later than Mar. 27, 2012.

Duncraft, Inc., Deluxe Hummer Feeder, (date unknown) located at http://www.duncraft.com/index/page/product/product_id/1020/product_name/Deluxe+Hummer+Feeder, 2 pages, offered for sale no later than Mar. 27, 2012.

Duncraft, Inc., Four Flower Frolic Feeder Set, (date unknown) located at <http://www.duncraft.com/Four-Flower-Frolic-Hummingbird-Feeder-Set>, 2 pages, offered for sale no later than Mar. 27, 2012.

Duncraft, Inc., Hollyhock Hummingbird Feeder, (date unknown) located at <http://www.duncraft.com/Hollyhock-Hummingbird-Feeder>, 2 pages, offered for sale no later than Mar. 27, 2012.

U.S. Appl. No. 29/387,520, filed Mar. 14, 2011, Krueger.

U.S. Appl. No. 29/387,515, filed Mar. 14, 2011, Carter et al.

U.S. Appl. No. 29/387,516, filed Mar. 14, 2011, Carter.

U.S. Appl. No. 29/387,519, filed Mar. 14, 2011, Carter.

U.S. Appl. No. 29/387,517, filed Mar. 14, 2011, Krueger.

U.S. Appl. No. 13/107,841, filed May 13, 2011, Donegan et al.

U.S. Appl. No. 13/420,063, filed Mar. 14, 2012, Carter et al.

U.S. Appl. No. 13/420,086, filed Mar. 14, 2012, Carter et al.

U.S. Appl. No. 29/416,887, filed Mar. 28, 2012, Carter.

U.S. Appl. No. 29/416,886, filed Mar. 28, 2012, Carter.

Ex Parte Quayle Action, U.S. Appl. No. 29/387,515, mailed Jun. 20, 2012, 5 pages.

Non-Final Office Action, U.S. Appl. No. 29/387,517, mailed Mar. 12, 2012, 7 pages.

Non-Final Office Action, U.S. Appl. No. 13/107,841, mailed Jun. 27, 2012, 9 pages.

Non-Final Office Action, U.S. Appl. No. 29/387,516, mailed Jul. 06, 2012, 7 pages.

Notice of Allowance, U.S. Appl. No. 29/387,520, mailed Jun. 15, 2012, 10 pages.

Notice of Allowance, U.S. Appl. No. 29/387,517, mailed Jul. 3, 2012, 11 pages.

Response to Non-Final Office Action, U.S. Appl. No. 29/387,517, filed Jun. 12, 2012, 13 pages.

Response to Restriction Requirement, U.S. Appl. No. 29/387,519, filed Jul. 5, 2012, 2 pages.

Response to Restriction, U.S. Appl. No. 29/387,517, filed Dec. 12, 2011, 2 pages.

Restriction Requirement, U.S. Appl. 29/387,519, mailed Jun. 13, 2012, 4 pages.

Restriction Requirement, U.S. Appl. No. 29/387,517, mailed Oct. 12, 2011, 4 pages.

U.S. Appl. No. 29/382,076, filed Dec. 29, 2010, Fields et al.

U.S. Appl. No. 29/382,075, filed Dec. 29, 2010, Fields et al.

U.S. Appl. No. 29/416,890, filed Mar. 28, 2012, Krueger.

U.S. Appl. No. 29/416,885, filed Mar. 28, 2012, Krueger.

Notice of Allowance, U.S. Appl. No. 29/387,519, mailed Sep. 13, 2012, 11 pages.

CPA/Amendment, U.S. Appl. No. 29/382,076, filed Sep. 19, 2012, 9 pages.

Notice of Allowance, U.S. Appl. No. 29/382,076, mailed Oct. 01, 2012, 14 pages.

CPA/Amendment, U.S. Appl. No. 29/416,885, filed 10/02/12, 9 pages.

Response to Non-Final Office Action, U.S. Appl. No. 29/687,516, filed Nov. 6, 2012, 10 pages.

Notice of Allowance, U.S. Appl. No. 29/387,516, mailed Nov. 13, 2012, 11 pages.

Response to Final Office Action, U.S. Appl. No. 29/387,515, filed Nov. 19, 2012, 4 pages.

Response to Non-Final Office Action, U.S. Appl. No. 13/107,841, filed Nov. 27, 2012, 21 pages.

U.S. Appl. No. 29/437,619, filed Nov. 19, 2012, Krueger.

U.S. Appl. No. 29/437,624, filed Nov. 19, 2012, Krueger.

* cited by examiner

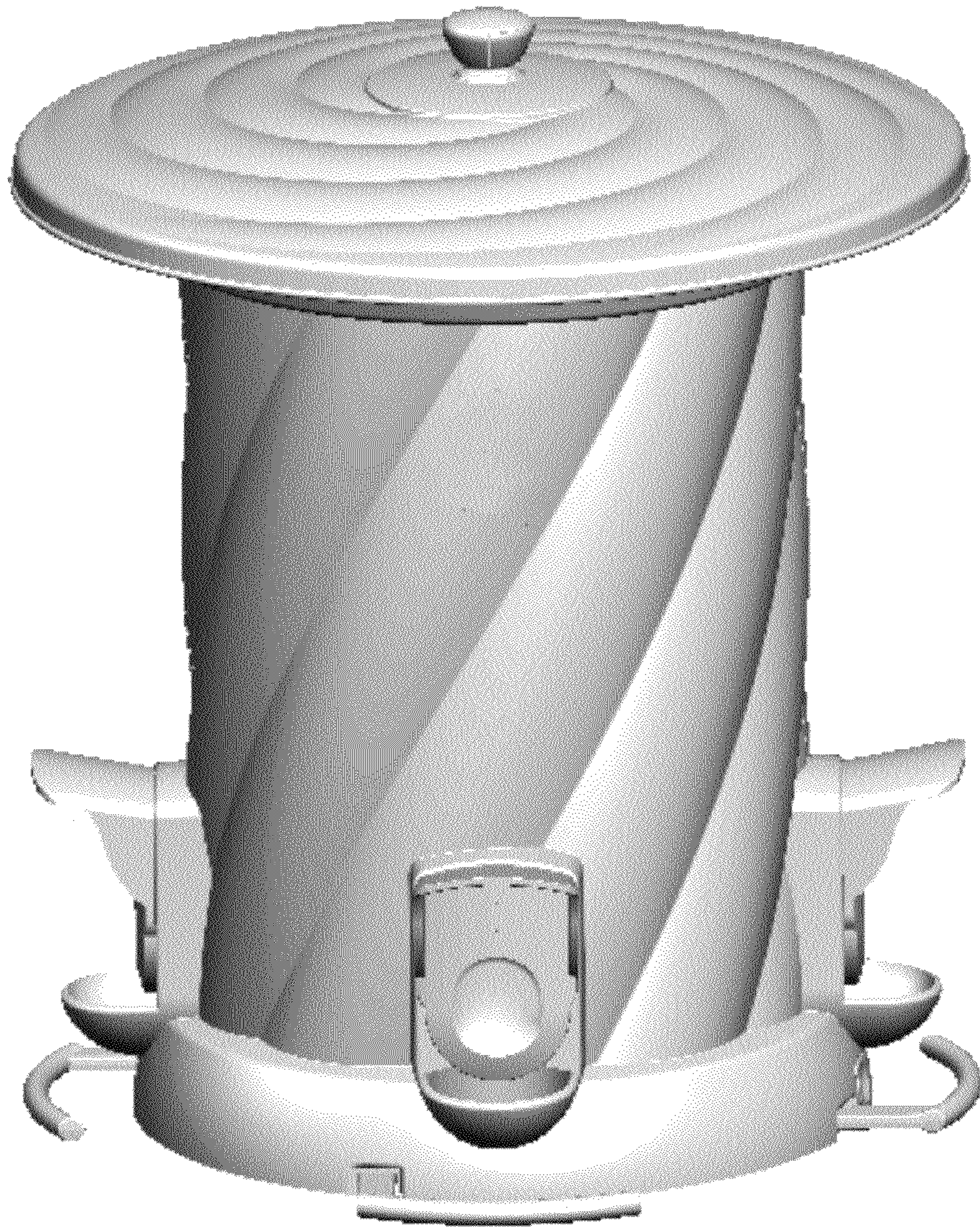


Figure 1

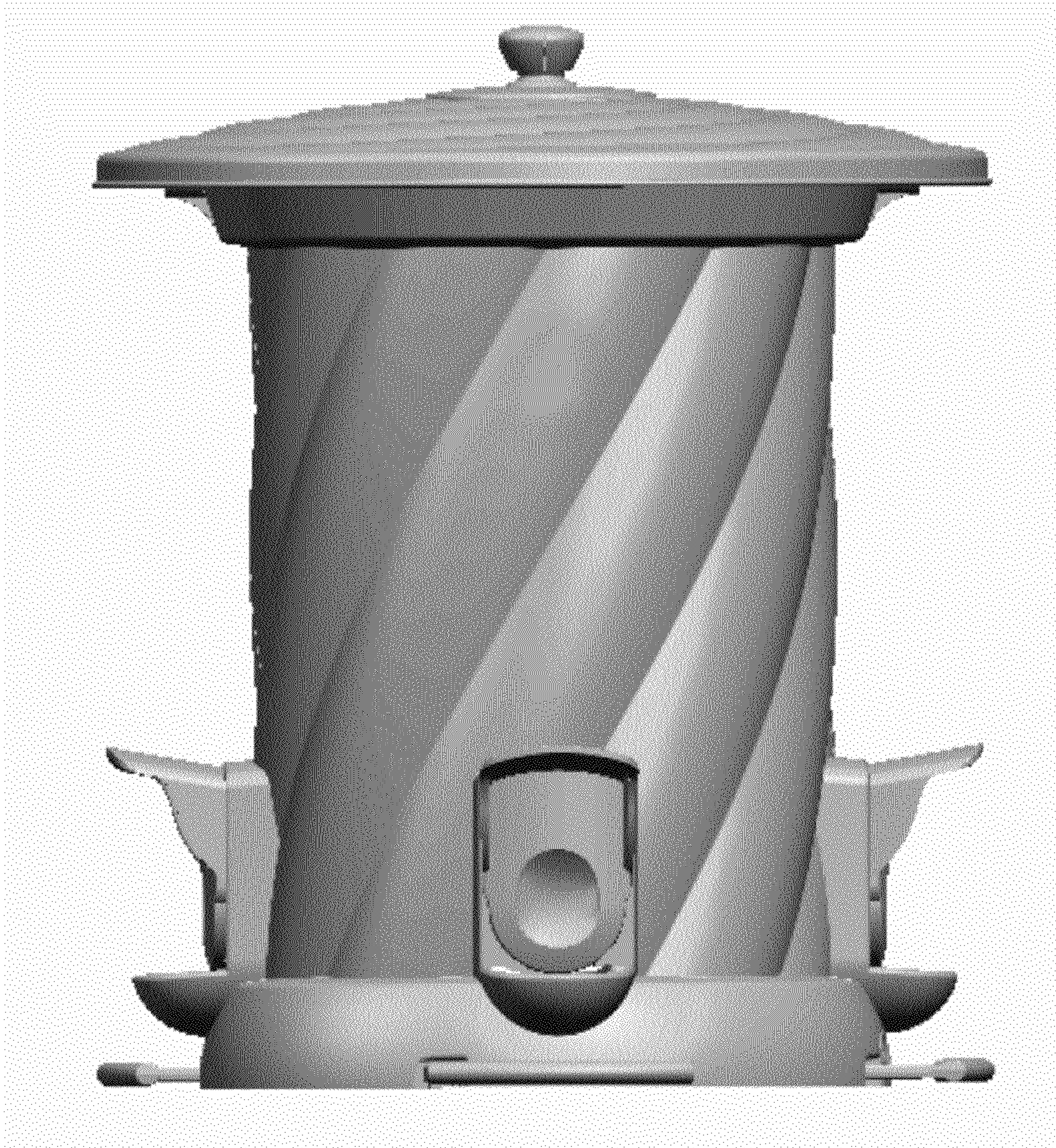


Figure 2



Figure 3

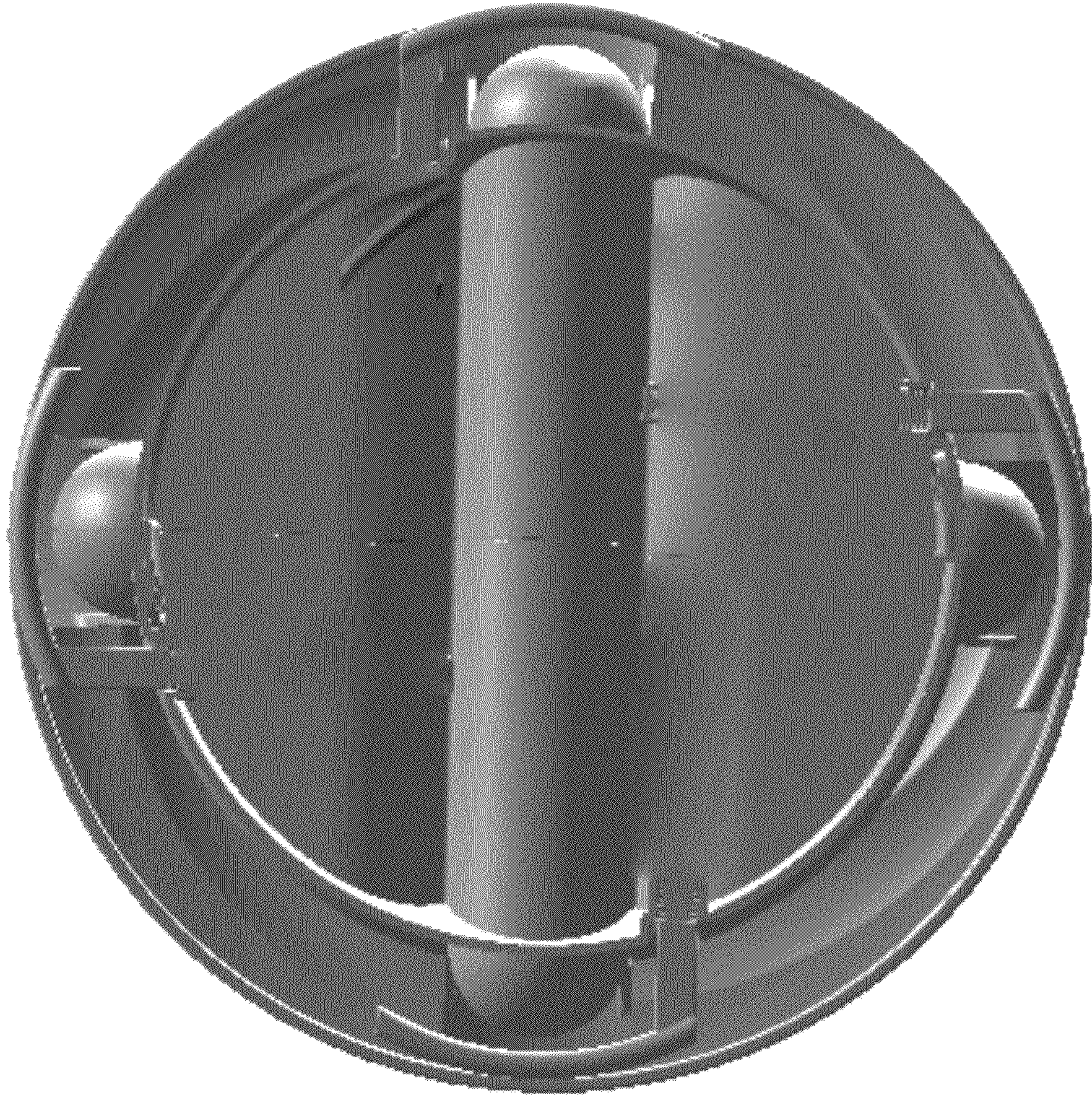


Figure 4