



US00D679452S

(12) **United States Design Patent**  
**Powell**

(10) **Patent No.:** **US D679,452 S**

(45) **Date of Patent:** **\*\* Apr. 2, 2013**

(54) **HELMET WITH EAR HOLES**

(76) Inventor: **Alan Powell**, Sausalito, CA (US)

(\*\*) Term: **14 Years**

(21) Appl. No.: **29/408,798**

(22) Filed: **Dec. 16, 2011**

(51) **LOC (9) Cl.** ..... **02-03**

(52) **U.S. Cl.** ..... **D29/105**

(58) **Field of Classification Search** ..... D29/102-107,  
D29/122; 2/421, 423-425, 6.3, 6.5-6.7,  
2/411, 413, 414, 5, 427, 428, 9, 173, 206,  
2/209.13, 205, 909, 417; 446/27; D2/872,  
D2/873, 869

See application file for complete search history.

(56) **References Cited**

**U.S. PATENT DOCUMENTS**

D271,249 S	*	11/1983	Farquharson	.....	D29/106
D271,347 S	*	11/1983	Bourque	.....	D29/106
D285,381 S	*	9/1986	Dawson et al.	.....	D29/105
D298,367 S	*	11/1988	Ball	.....	D29/106
D310,434 S	*	9/1990	Breece	.....	D29/103
D332,507 S	*	1/1993	Anderson et al.	.....	D29/106
D332,672 S	*	1/1993	Abate	.....	D29/105
D382,671 S	*	8/1997	Shewchenko	.....	D29/106
D453,399 S	*	2/2002	Racine	.....	D29/106

D459,555 S	*	6/2002	Gatellet	.....	D29/106
D466,651 S	*	12/2002	Halstead et al.	.....	D29/106
D581,599 S	*	11/2008	Ferrara et al.	.....	D29/106
D628,748 S	*	12/2010	Stewart	.....	D29/102
D636,941 S	*	4/2011	Pye	.....	D29/102

\* cited by examiner

*Primary Examiner* — Ruth McInroy

(74) *Attorney, Agent, or Firm* — Steven A. Nielsen; Allman & Nielsen, P.C.

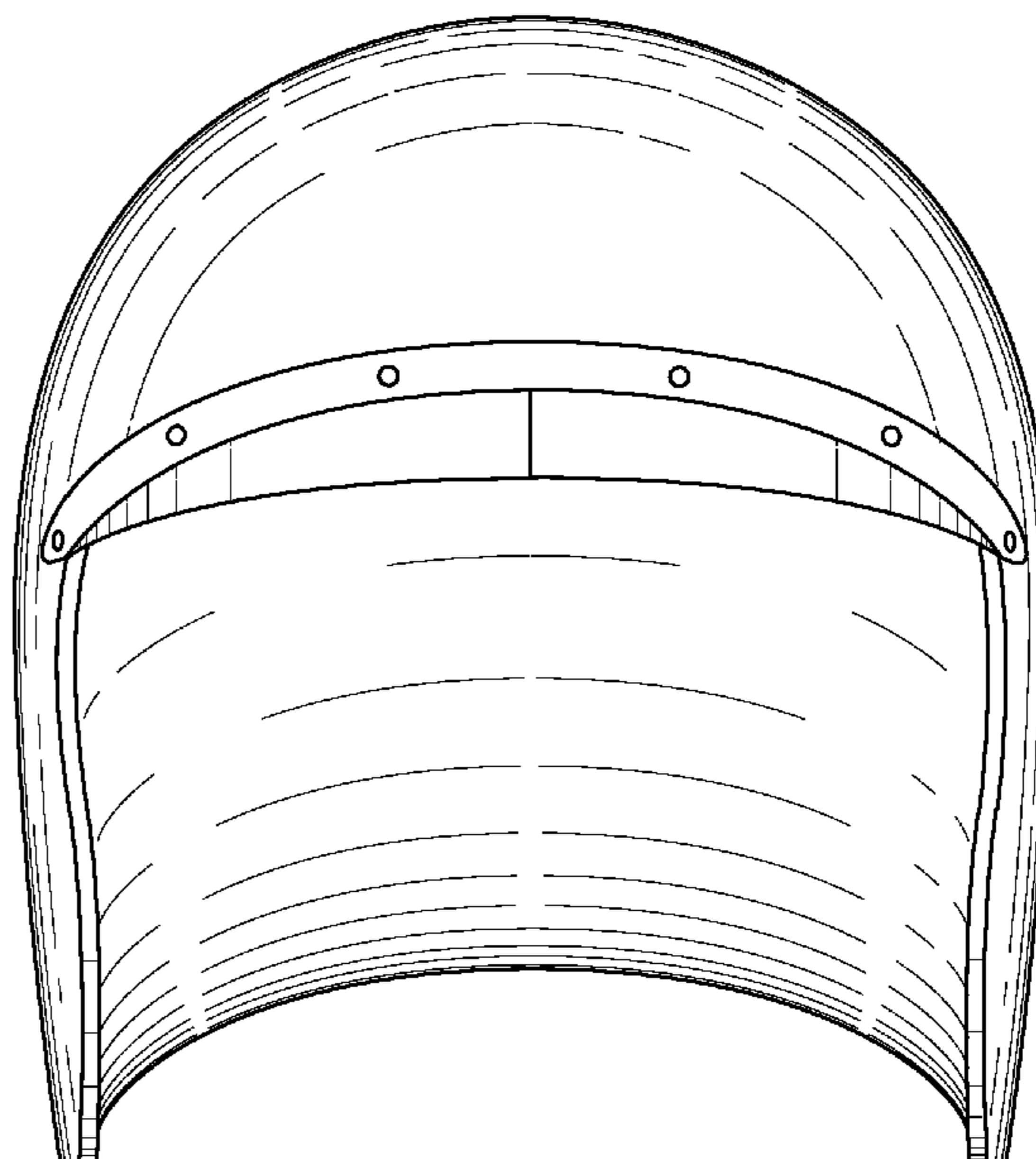
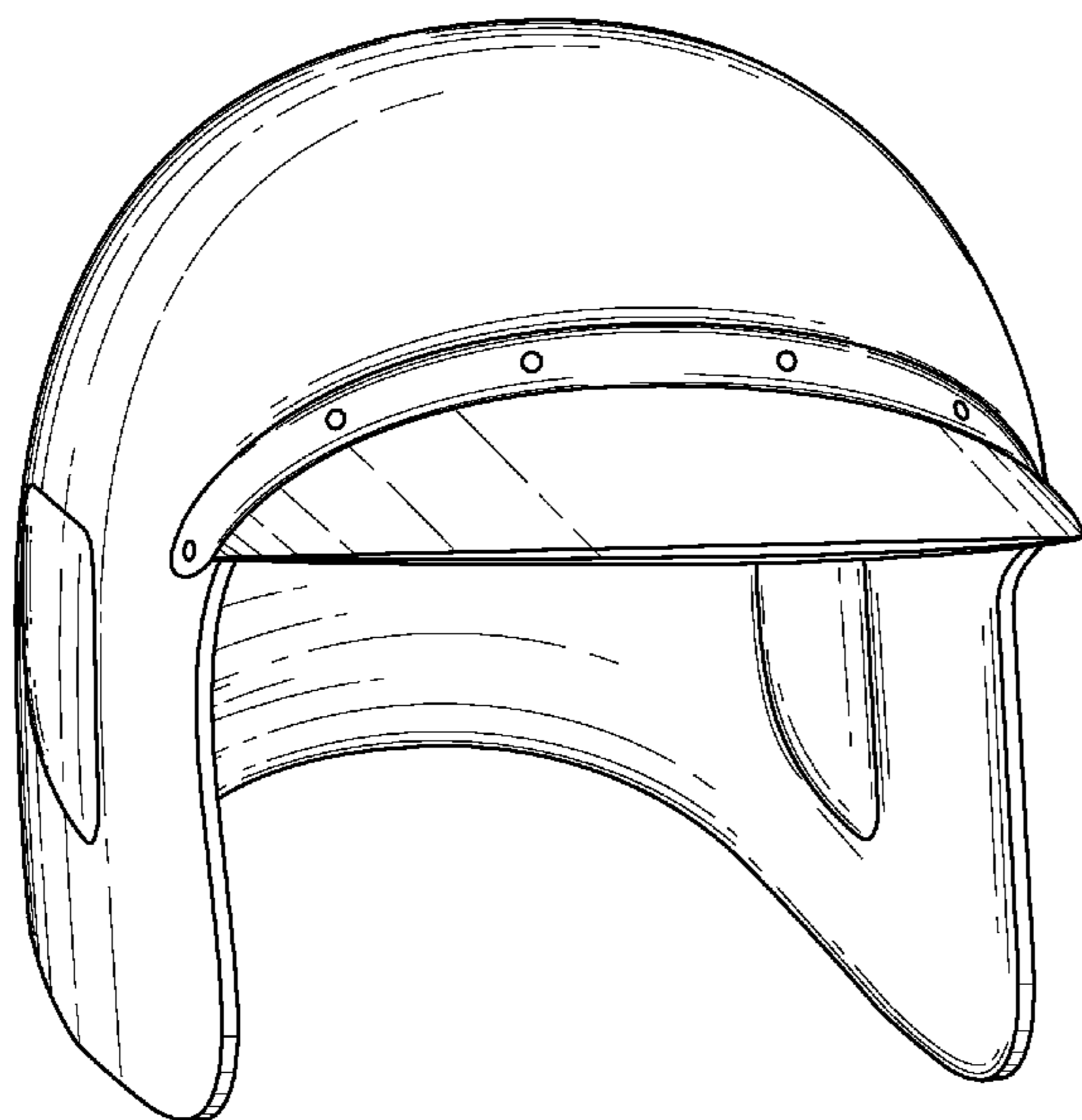
(57) **CLAIM**

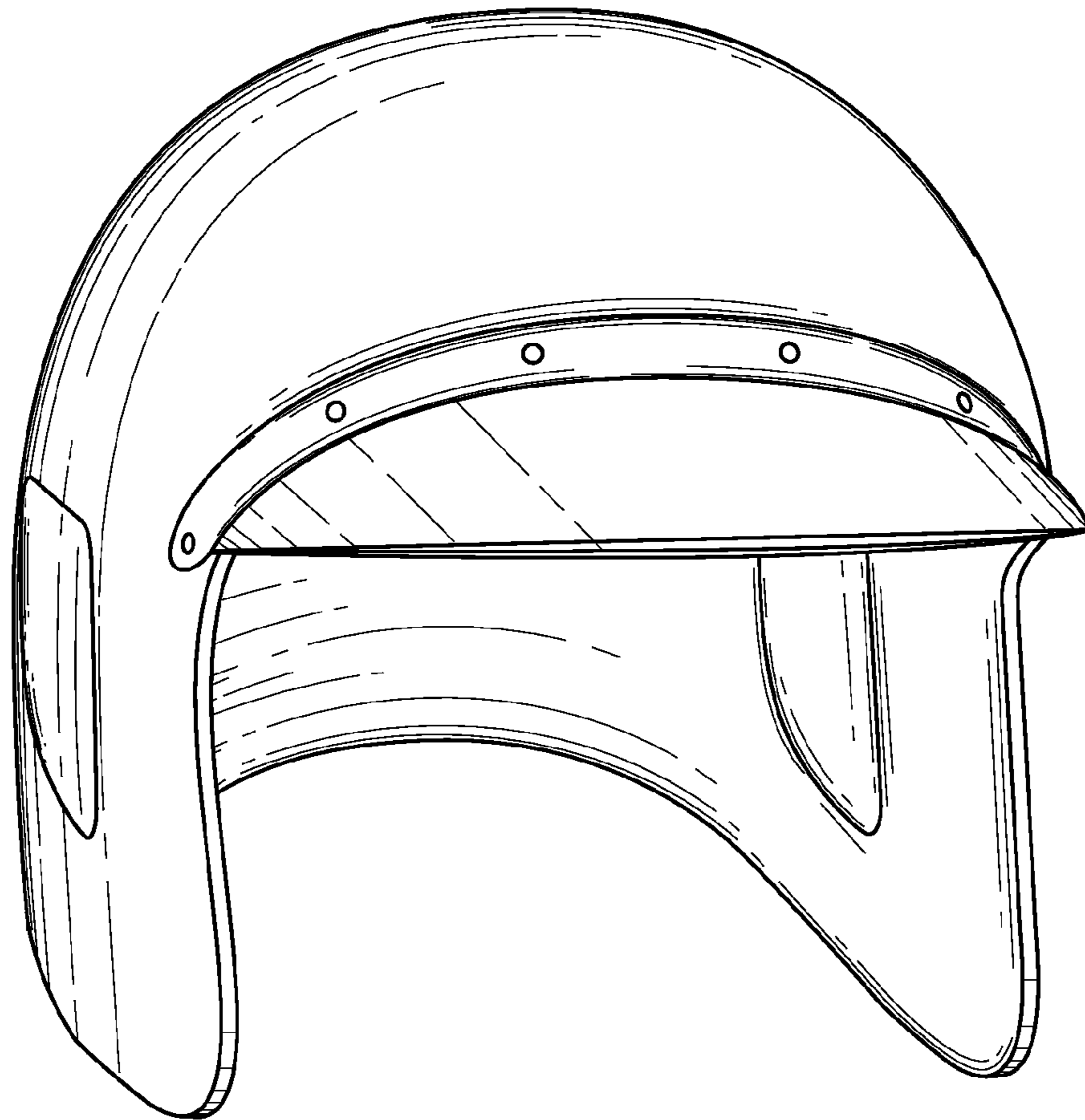
The ornamental design for a helmet with ear holes, as shown and described.

**DESCRIPTION**

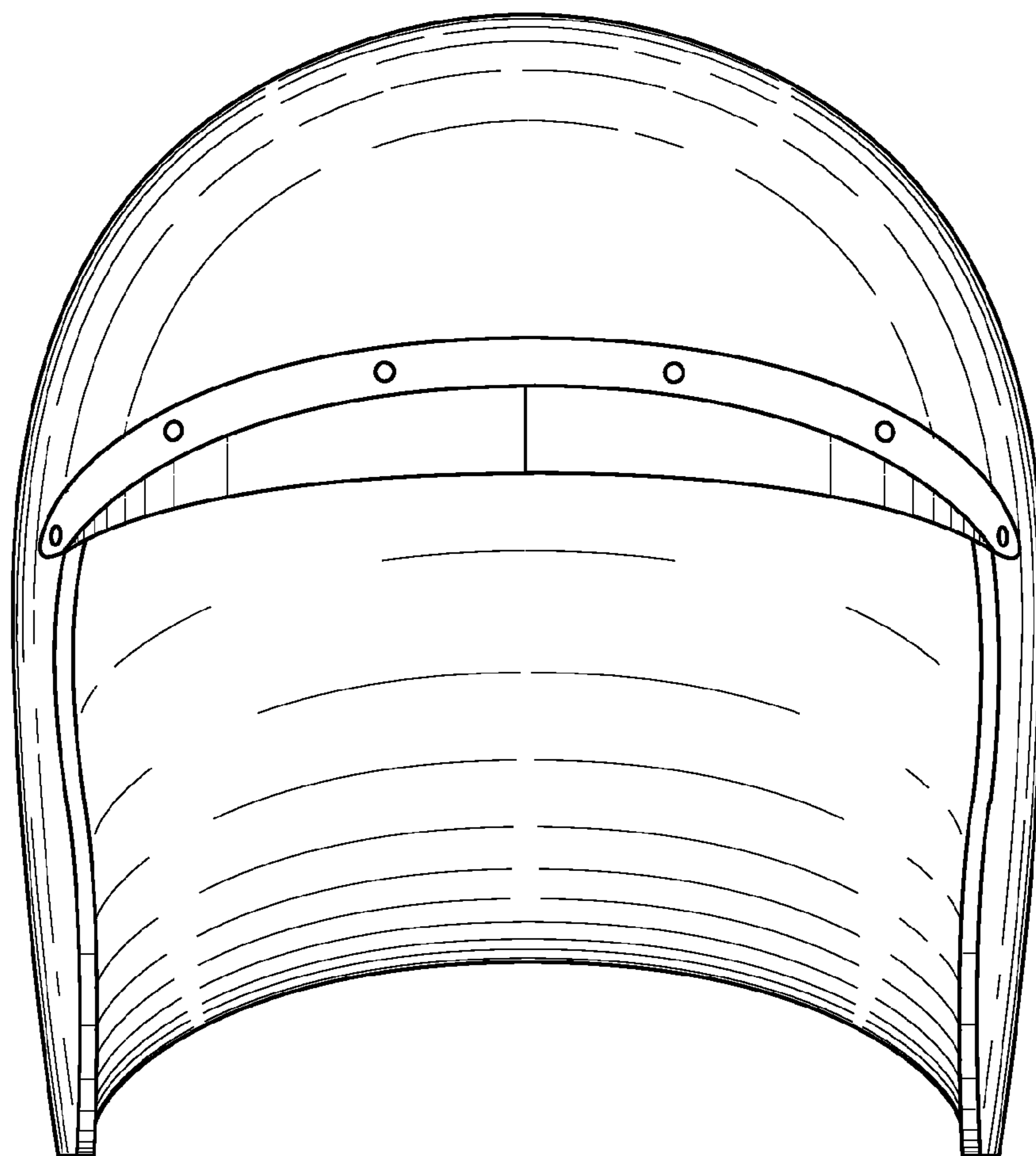
FIG. 1 is a front perspective view of a helmet with ear holes, showing my new design;  
FIG. 2 is a front view thereof;  
FIG. 3 is a back view thereof;  
FIG. 4 is a right side view thereof;  
FIG. 5 is a left side view thereof;  
FIG. 6 is a top side view thereof;  
FIG. 7 is a bottom side view thereof; and,  
FIG. 8 is a front perspective view thereof, the ear holes shown removed for clarity of illustration.

**1 Claim, 8 Drawing Sheets**

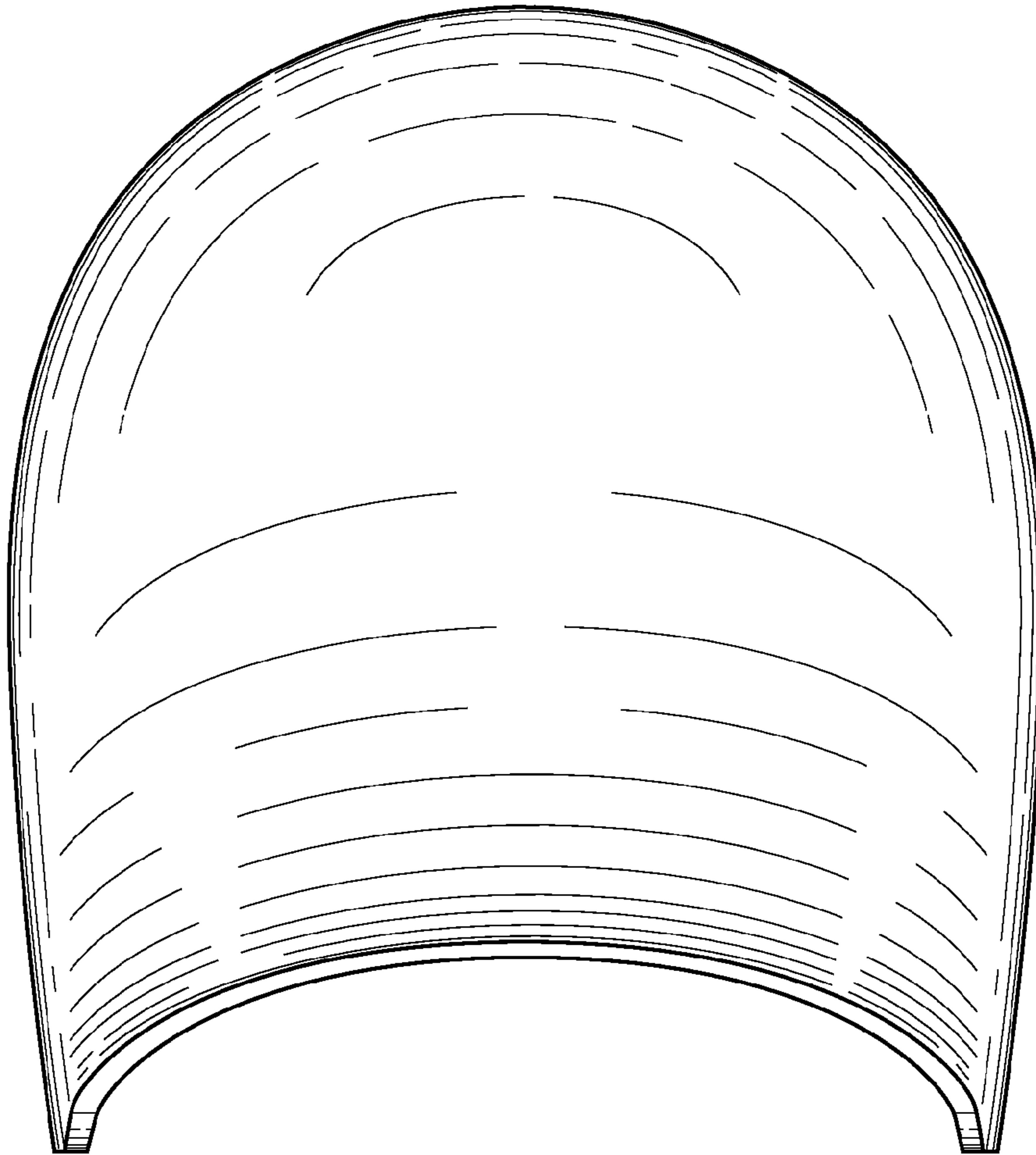




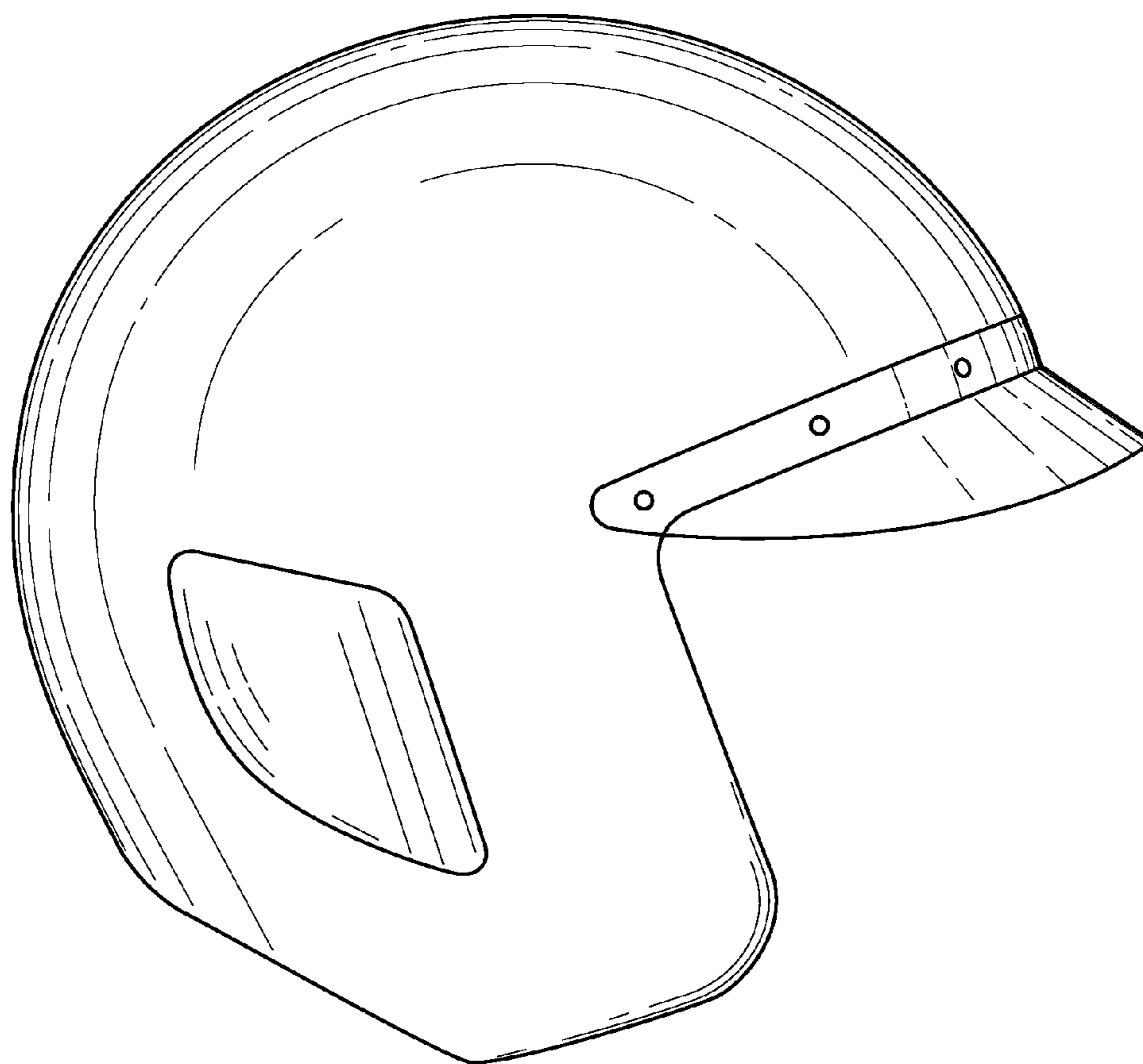
**Fig. 1**



**Fig. 2**

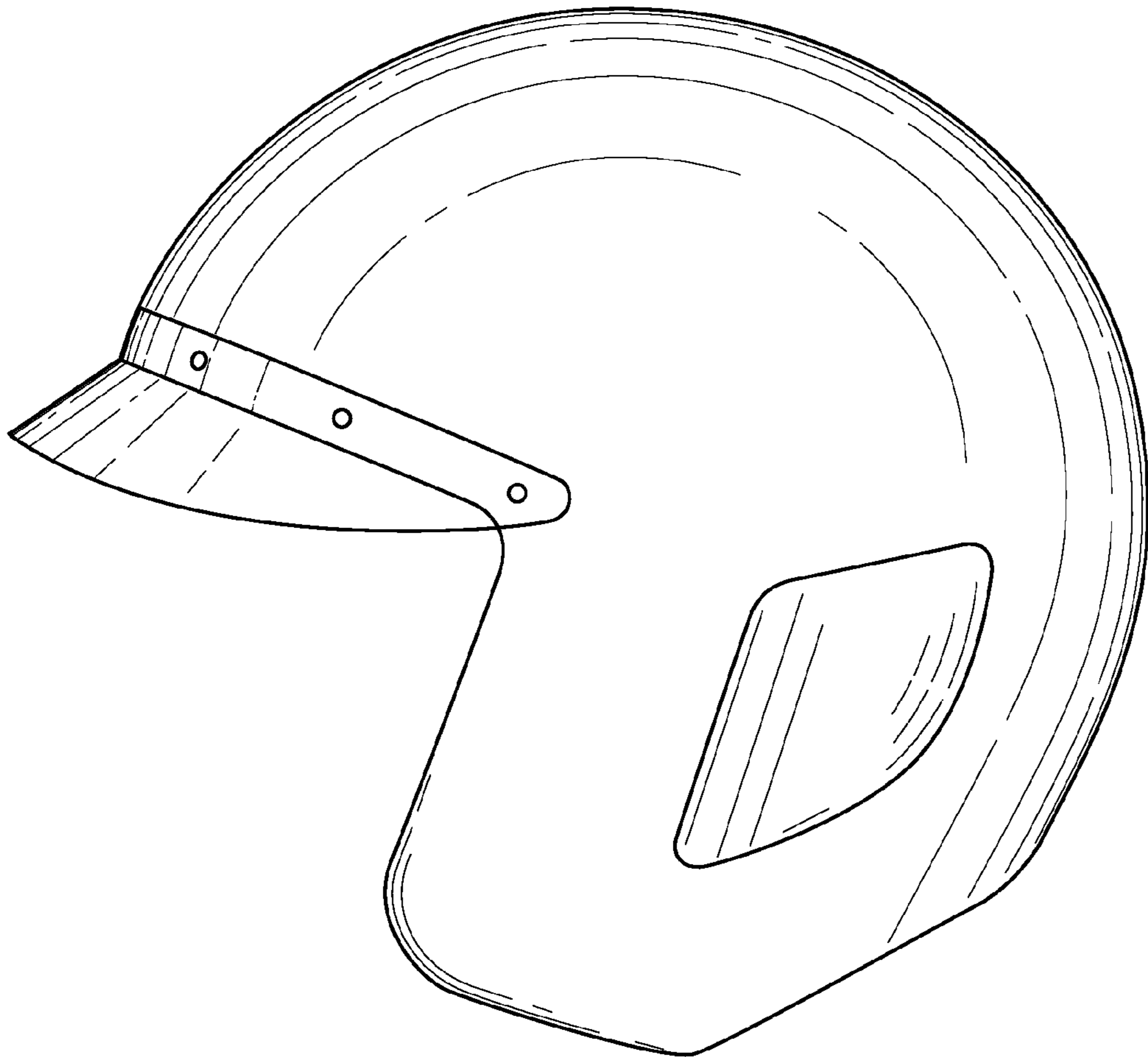


***Fig. 3***

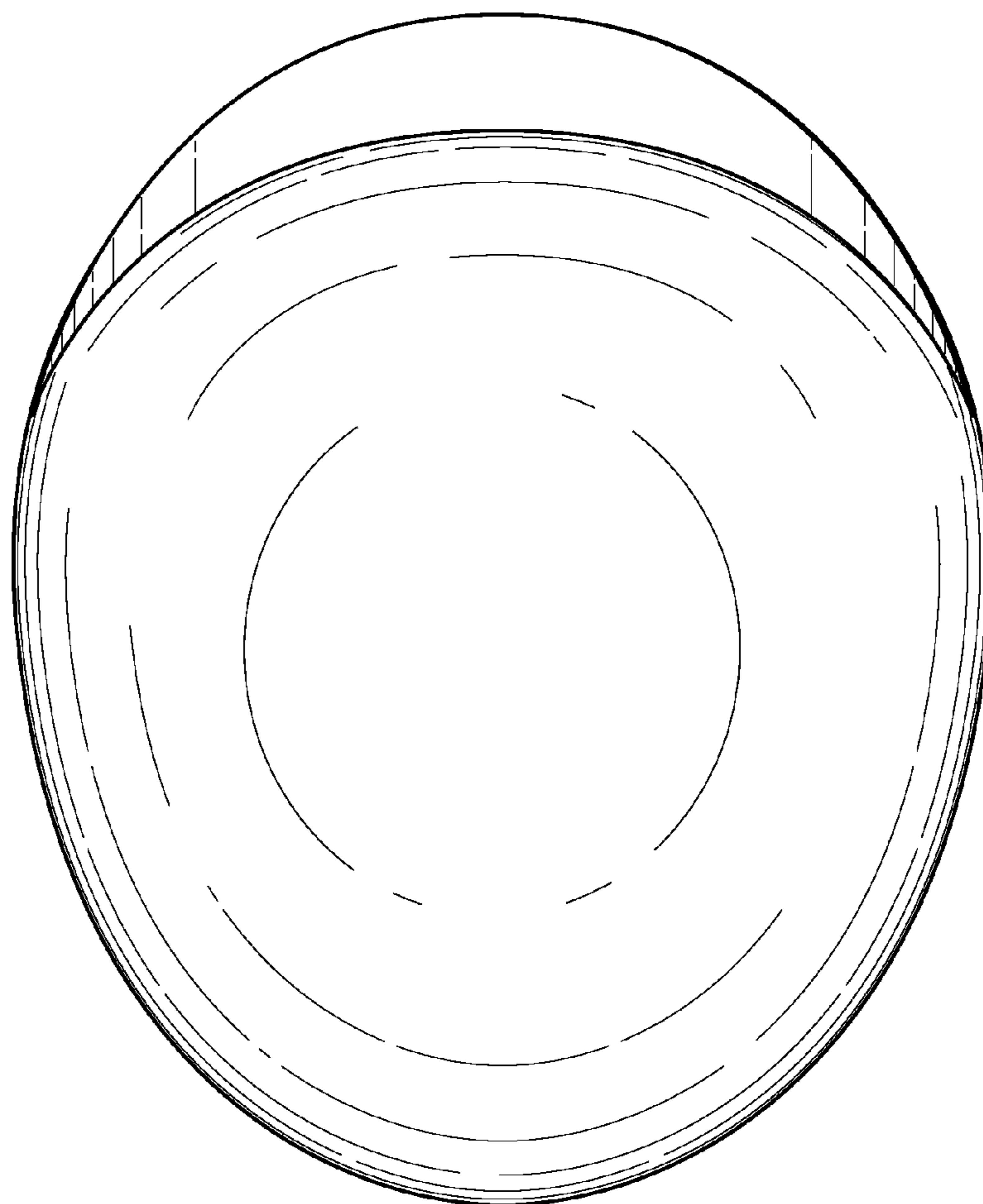


**Fig. 4**

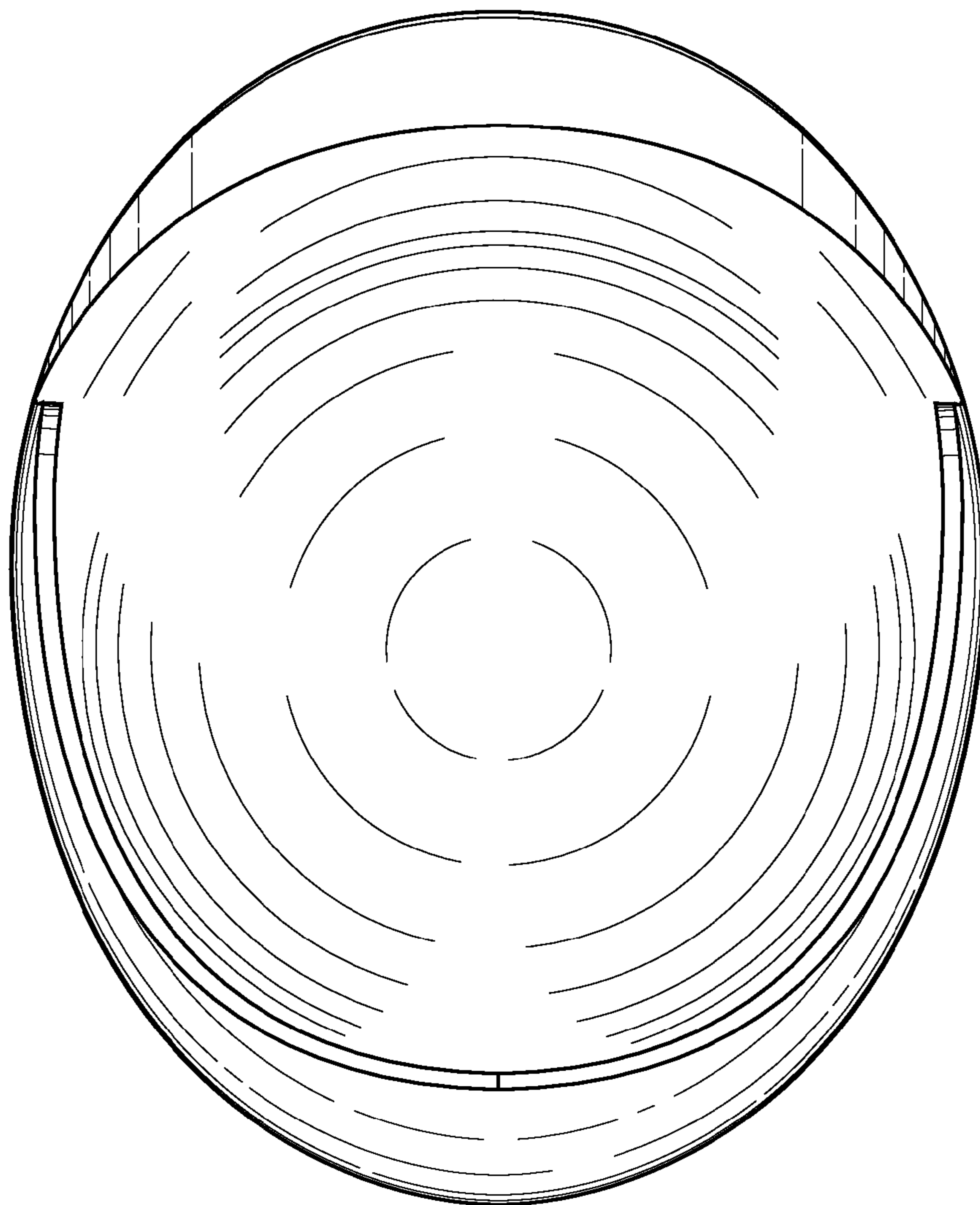




**Fig. 5**

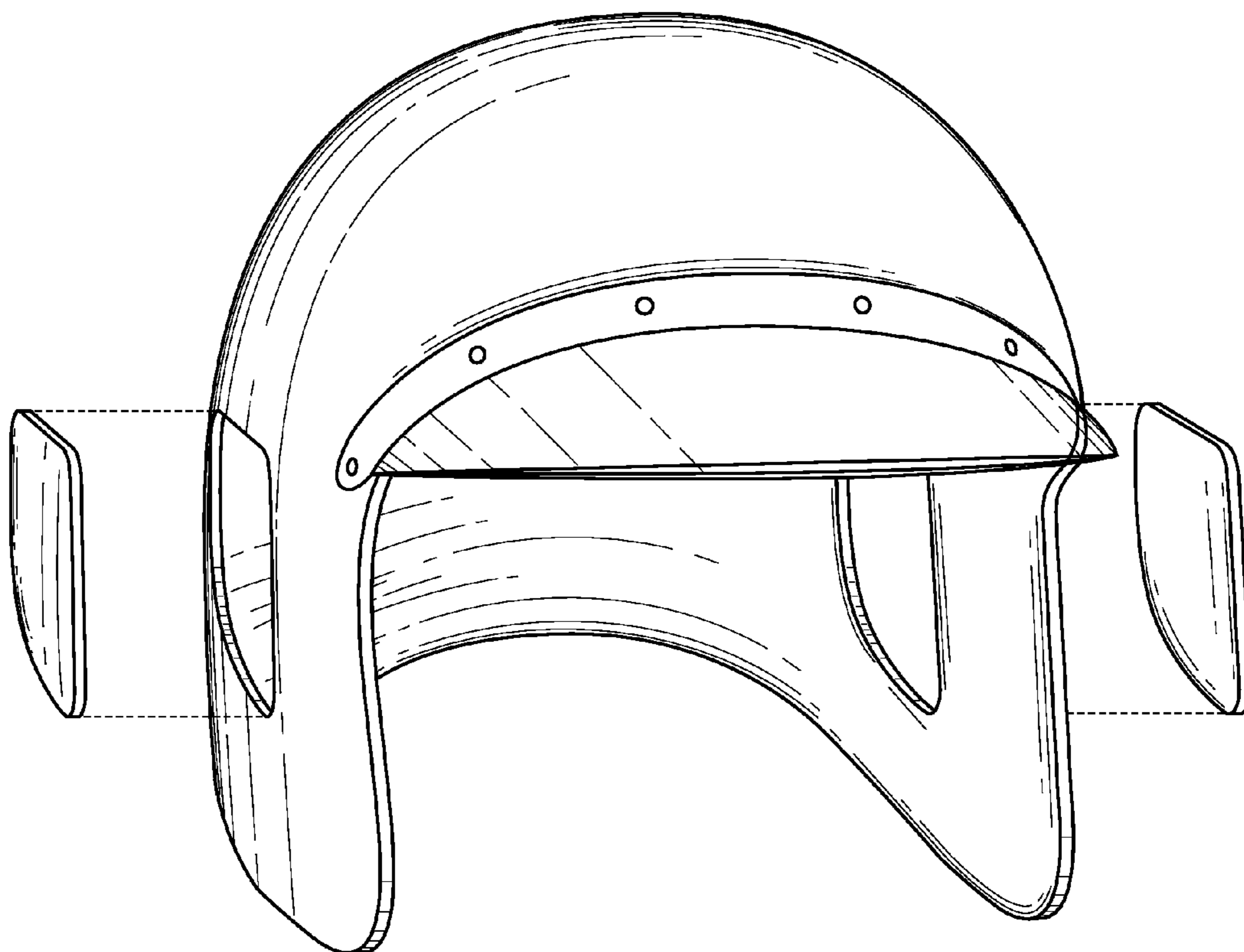


**Fig. 6**



***Fig. 7***





**Fig. 8**