



US00D679450S

(12) **United States Design Patent**
Lin

(10) **Patent No.:** **US D679,450 S**
(45) **Date of Patent:** **** Apr. 2, 2013**

(54) **DENTAL FLOSS PAD**

DESCRIPTION

(76) Inventor: **Lo Fu Lin**, Taipei (TW)

(**) Term: **14 Years**

(21) Appl. No.: **29/431,271**

(22) Filed: **Sep. 5, 2012**

(51) **LOC (9) Cl.** **28-03**

(52) **U.S. Cl.** **D28/66**

(58) **Field of Classification Search** D28/31,
D28/56, 65-68, 73; D24/152; 433/141,
433/146-147; 132/322-329

See application file for complete search history.

(56) **References Cited**

U.S. PATENT DOCUMENTS

D309,959 S *	8/1990	Endelson et al.	D28/66
D312,710 S *	12/1990	Whittaker	D28/66
D368,986 S *	4/1996	Haber et al.	D28/66
D491,313 S *	6/2004	Schrott	D28/66
D571,045 S *	6/2008	Griffin	D28/66
D610,747 S *	2/2010	Brownell	D28/65
D619,767 S *	7/2010	Antler	D28/66

* cited by examiner

Primary Examiner — Zenia Bennett

(74) *Attorney, Agent, or Firm* — Chun-Ming Shih

(57) **CLAIM**

The ornamental design for a dental floss pad, as shown and described.

FIG. 1 is a perspective view of a dental floss pad having a v cut embodying the design;

FIG. 2 is a front view of a dental floss pad having a v cut embodying the design shown in FIG. 1;

FIG. 3 is a rear view of a dental floss pad having a v cut embodying the design shown in FIG. 1;

FIG. 4 is a left side view of a dental floss pad having a v cut embodying the design shown in FIG. 1;

FIG. 5 is a right side view of a dental floss pad having a v cut embodying the design shown in FIG. 1;

FIG. 6 is a top plan of a dental floss pad having a v cut embodying the design shown in FIG. 1; and

FIG. 7 is a bottom of a dental floss pad having a v cut embodying the design shown in FIG. 1;

FIG. 8 is a perspective view of a second embodiment of a dental floss pad embodying the design;

FIG. 9 is a front view of a dental floss pad embodying the design shown in FIG. 8;

FIG. 10 is a rear view of a dental floss pad embodying the design shown in FIG. 8;

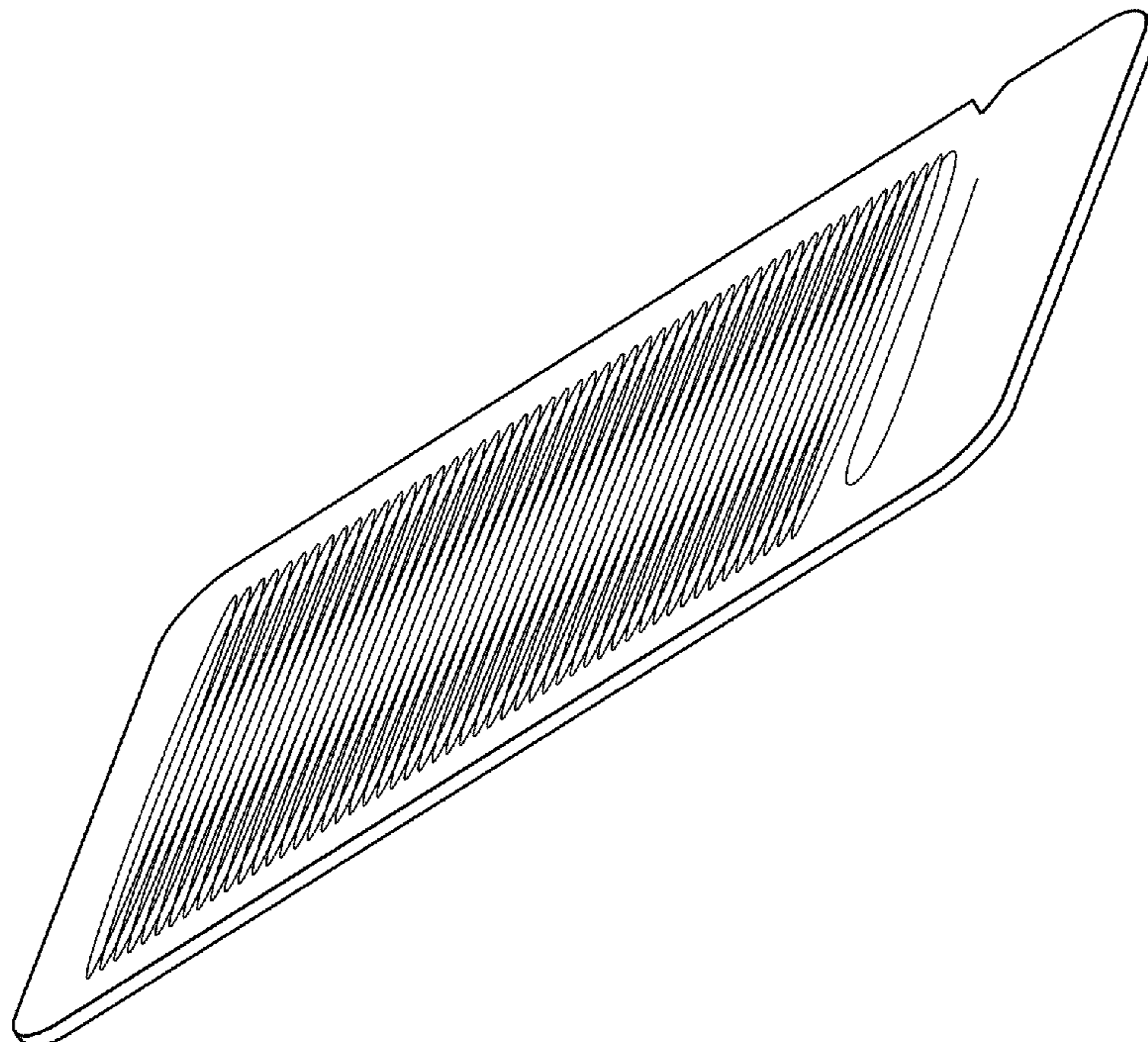
FIG. 11 is a left side view of a dental floss pad embodying the design shown in FIG. 8;

FIG. 12 is a right side view of a dental floss pad embodying the design shown in FIG. 8;

FIG. 13 is a top plan of a dental floss pad embodying the design shown in FIG. 8; and,

FIG. 14 is a bottom of a dental floss pad embodying the design shown in FIG. 8.

1 Claim, 10 Drawing Sheets



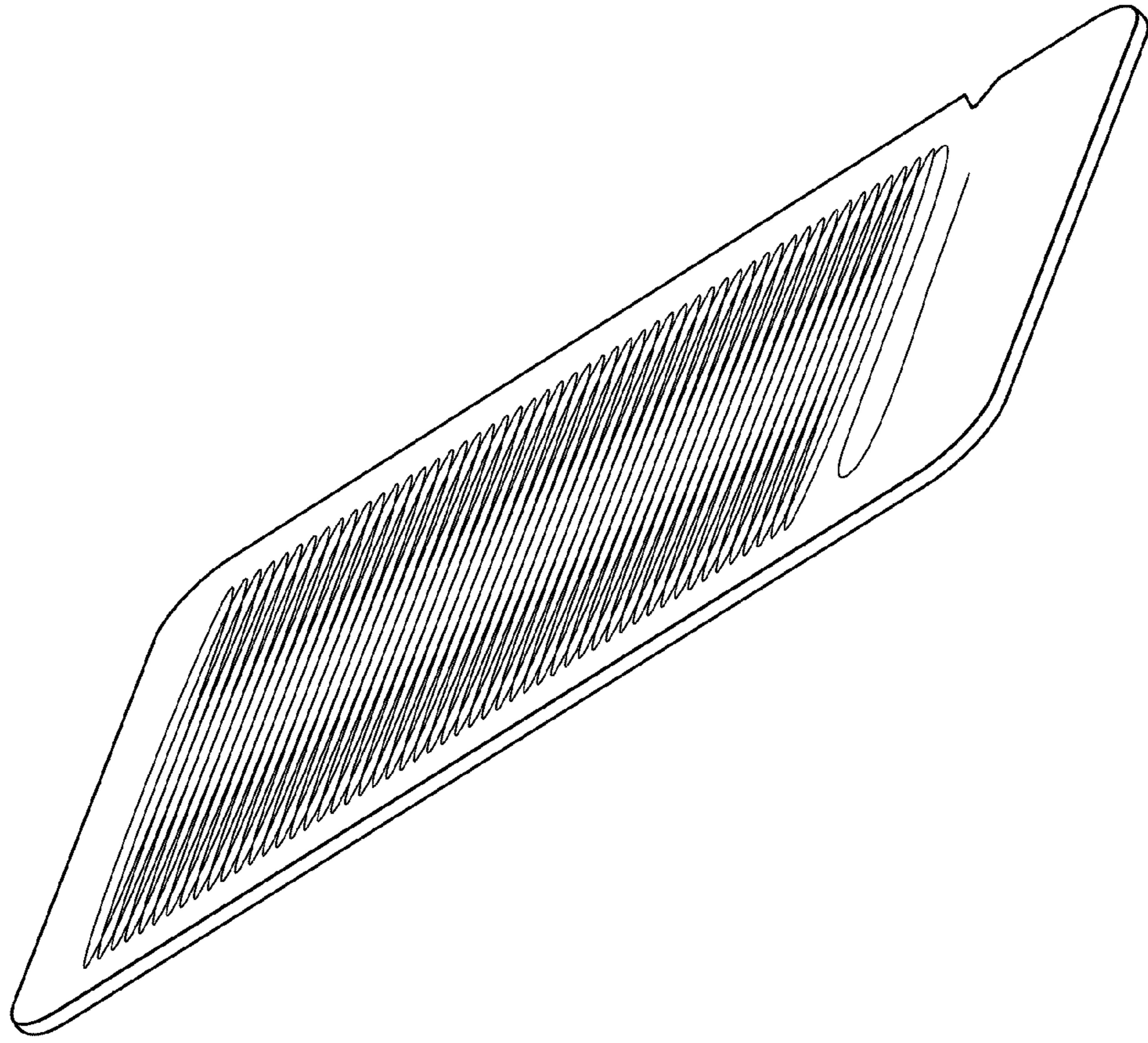


FIG. 1

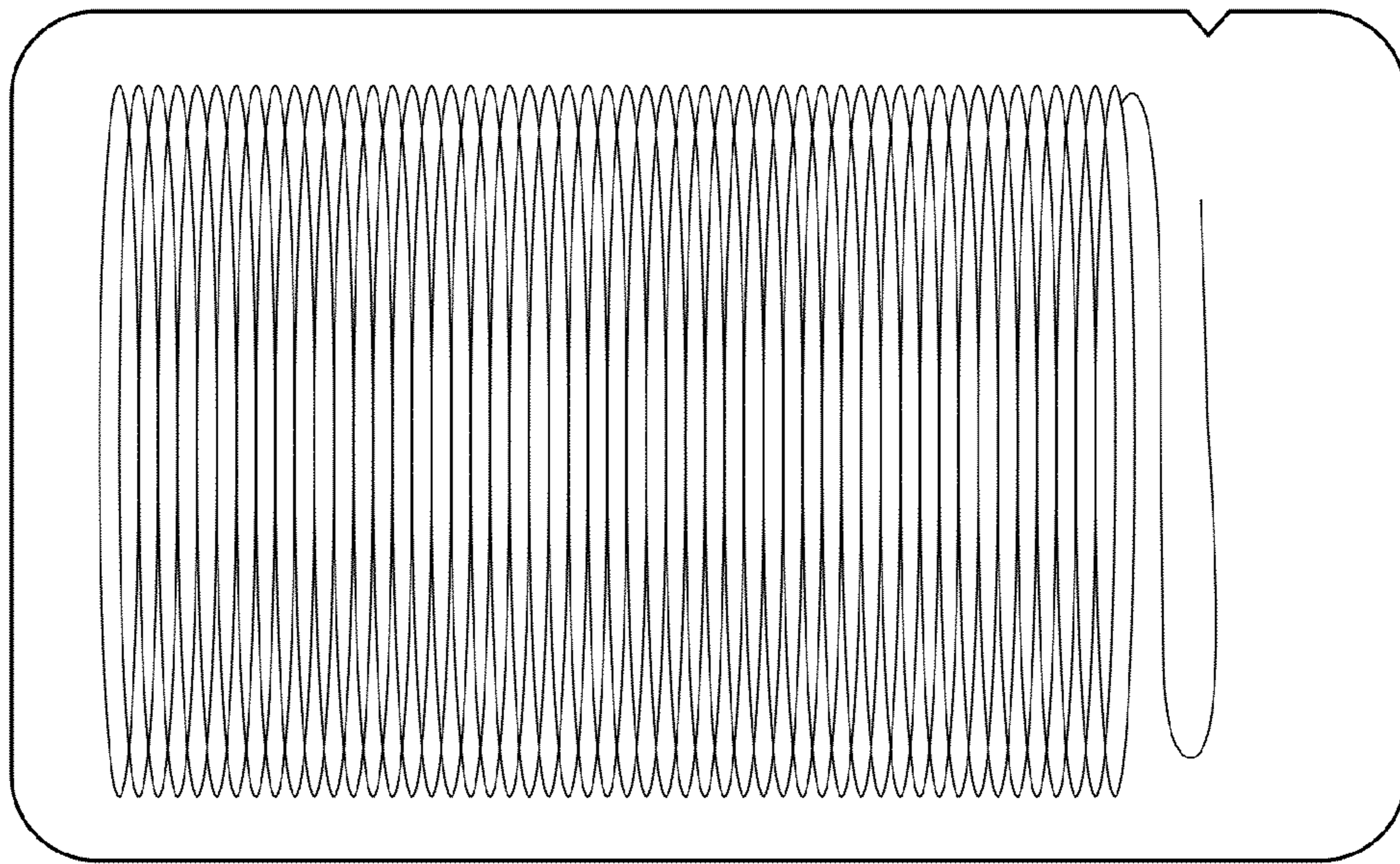


FIG. 2

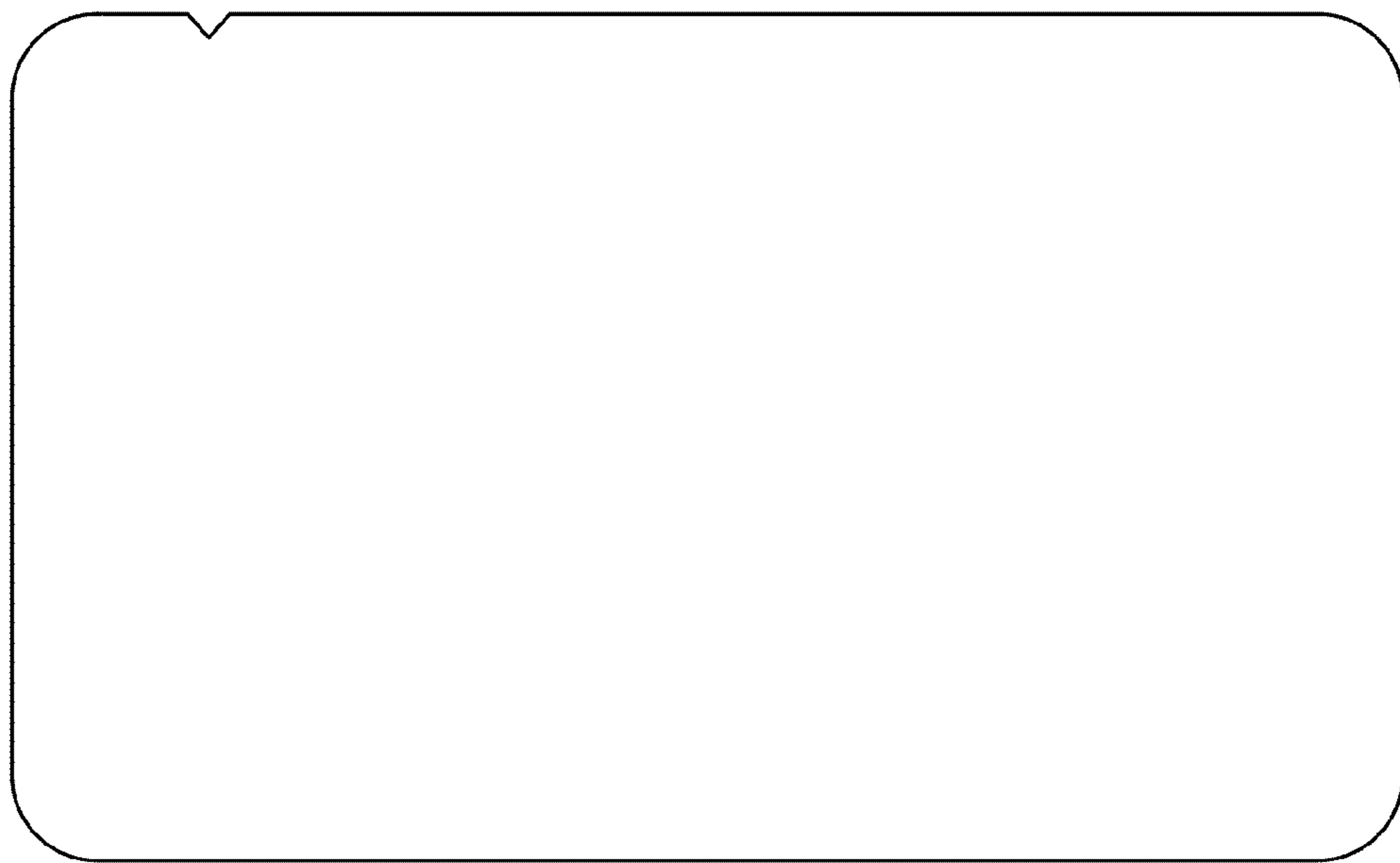


FIG. 3

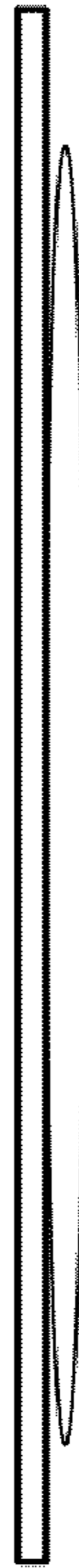


FIG. 4



FIG. 5



FIG. 6

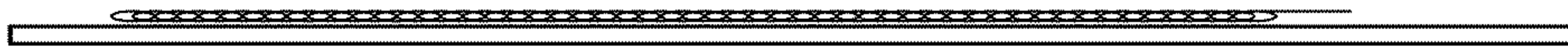


FIG. 7

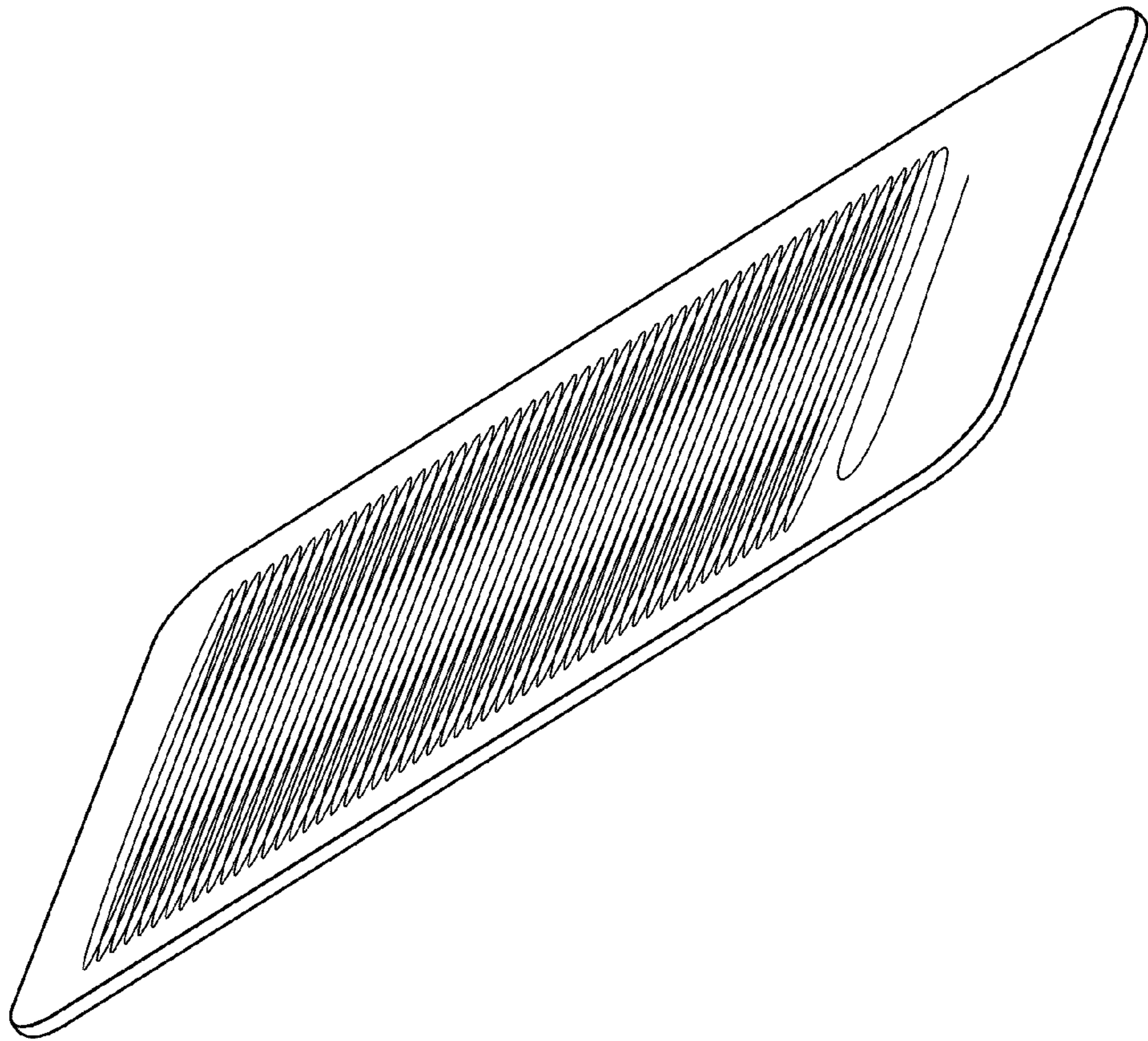


FIG. 8

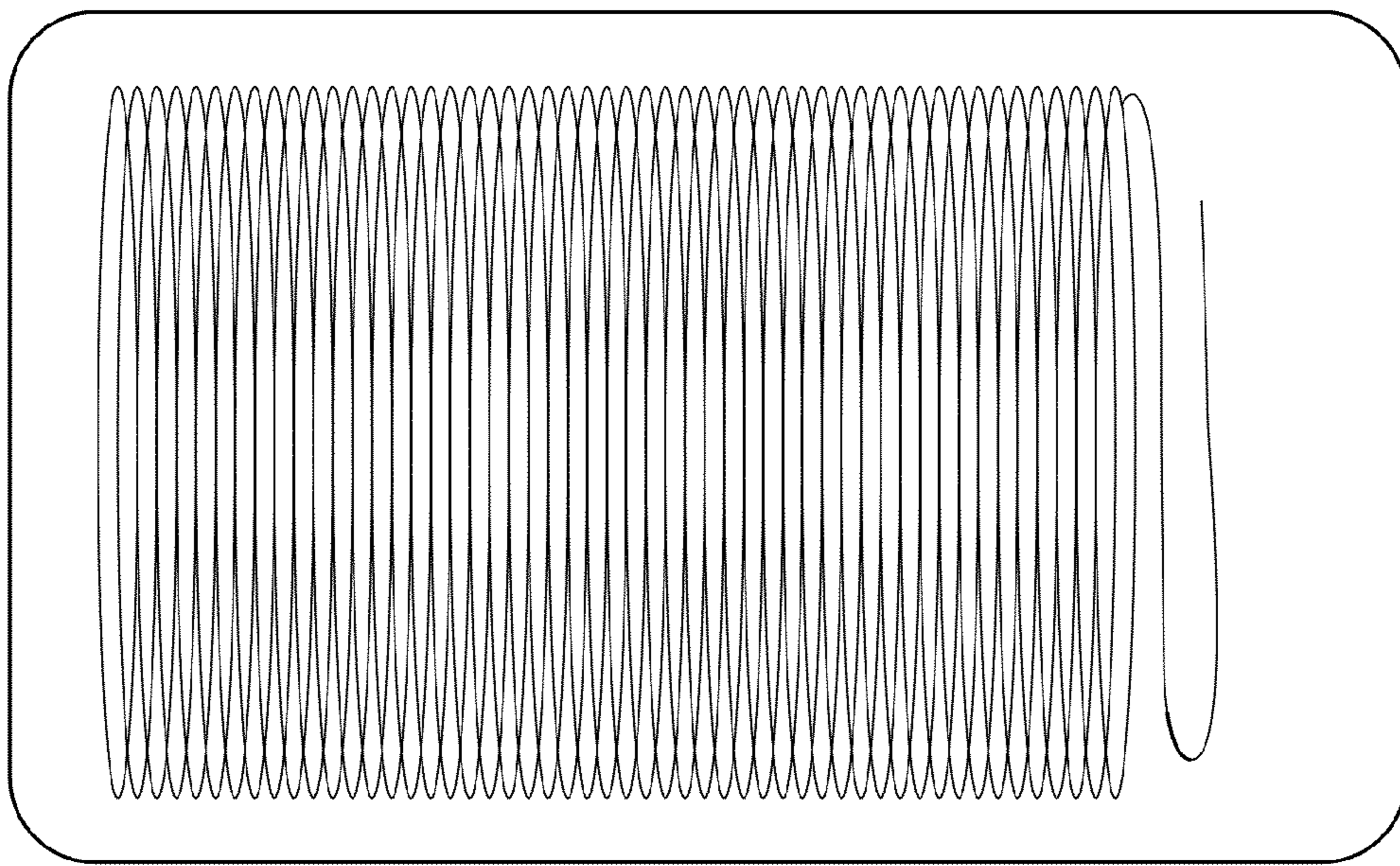


FIG. 9

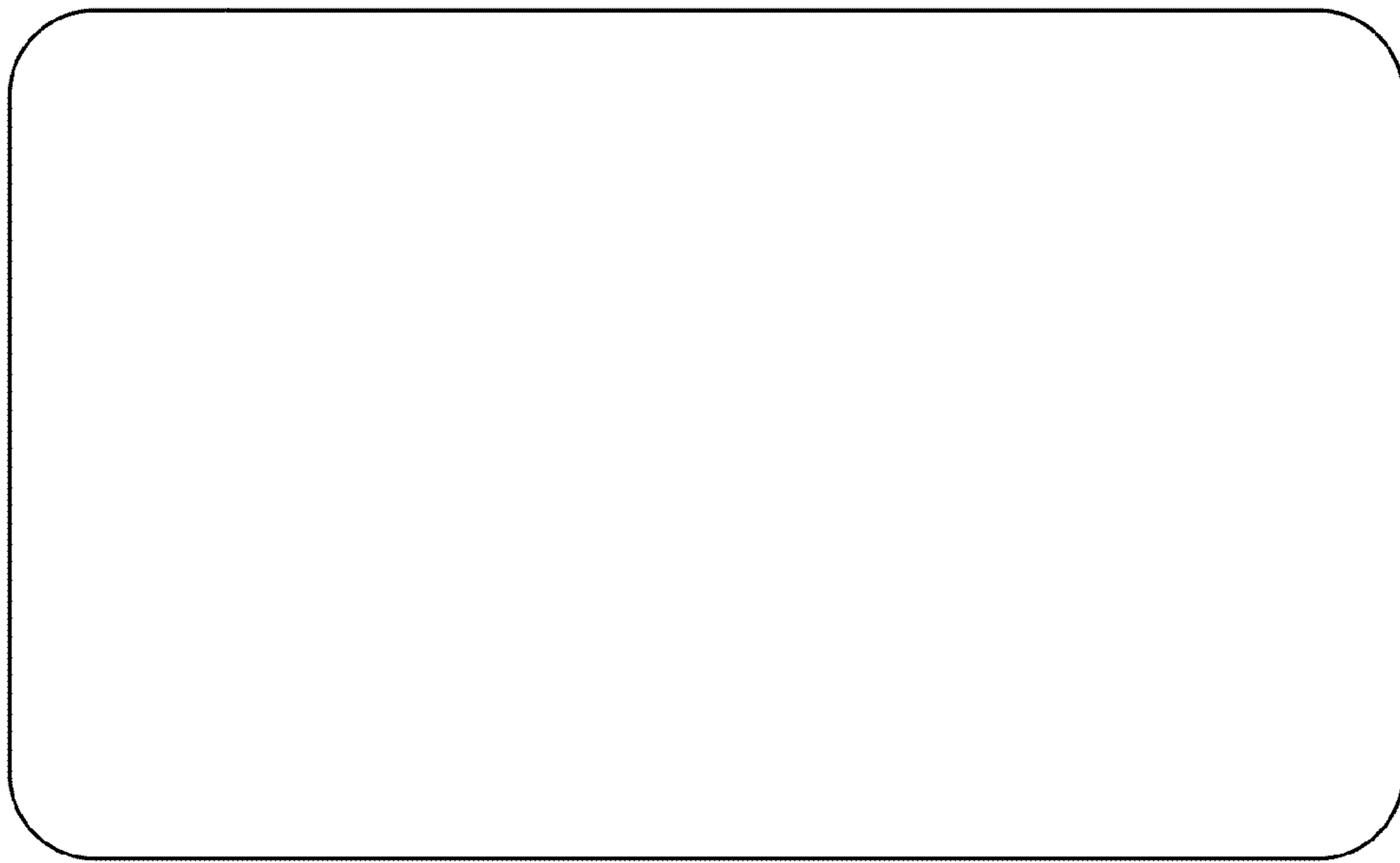


FIG. 10



FIG. 11



FIG. 12



FIG. 13

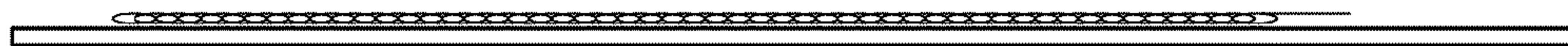


FIG. 14