



US00D679449S

(12) **United States Design Patent**
Epps

(10) **Patent No.:** **US D679,449 S**

(45) **Date of Patent:** **** Apr. 2, 2013**

(54) **BODY SCRUBBER FOR USE IN A BATHTUB**

7,062,815 B1 * 6/2006 Richardson 15/21.1
D569,042 S * 5/2008 Oberli D28/63
7,478,957 B1 1/2009 Thornton

(76) Inventor: **Richard L. Epps**, San Diego, CA (US)

* cited by examiner

(**) Term: **14 Years**

Primary Examiner — Melanie H Tung

(21) Appl. No.: **29/431,733**

Assistant Examiner — Lavone D Tabor

(22) Filed: **Sep. 11, 2012**

(74) *Attorney, Agent, or Firm* — RG Patent Consulting LLC;
Rachel Gilboy

(51) **LOC (9) Cl.** **28-03**

(52) **U.S. Cl.** **D28/63**

(58) **Field of Classification Search** D28/63;
D24/211; 15/21.1, 88.2-88.4, 97.1, 160,
15/179; 601/95, 109, 111, 112, 114; 4/604-606
See application file for complete search history.

(57) **CLAIM**

I claim the ornamental design for a body scrubber for use in a bathtub, as shown and described.

DESCRIPTION

(56) **References Cited**

U.S. PATENT DOCUMENTS

1,192,314	A *	7/1916	Howlett	4/606
1,488,076	A	3/1924	Tebo		
1,587,353	A	6/1926	Pfeufer		
1,999,799	A	4/1935	Beck et al.		
2,187,977	A	1/1940	Large		
3,699,602	A	10/1972	Cameron		
3,862,459	A	1/1975	Brunette		
4,040,132	A *	8/1977	Braun	4/606
4,061,136	A *	12/1977	Vaniglia	601/16
5,105,484	A	4/1992	Forsythe		
5,335,378	A *	8/1994	Chiang	4/606
D358,258	S *	5/1995	Gingras	D4/115
6,058,545	A *	5/2000	Roach	15/97.1

FIG. 1 is a front, top and side perspective view of a body scrubber for use in a bathtub embodying my new design; FIG. 2 is a rear elevational view thereof, shown in a folded position; FIG. 3 is a top plan view of the design as shown in FIG. 2; FIG. 4 is a bottom plan view of the design as shown in FIG. 2; FIG. 5 is a right side elevational view of the design as shown in FIG. 2; FIG. 6 is a left side elevational view of the design as shown in FIG. 2; and, FIG. 7 is a front elevational view of the design as shown in FIG. 2.

1 Claim, 5 Drawing Sheets

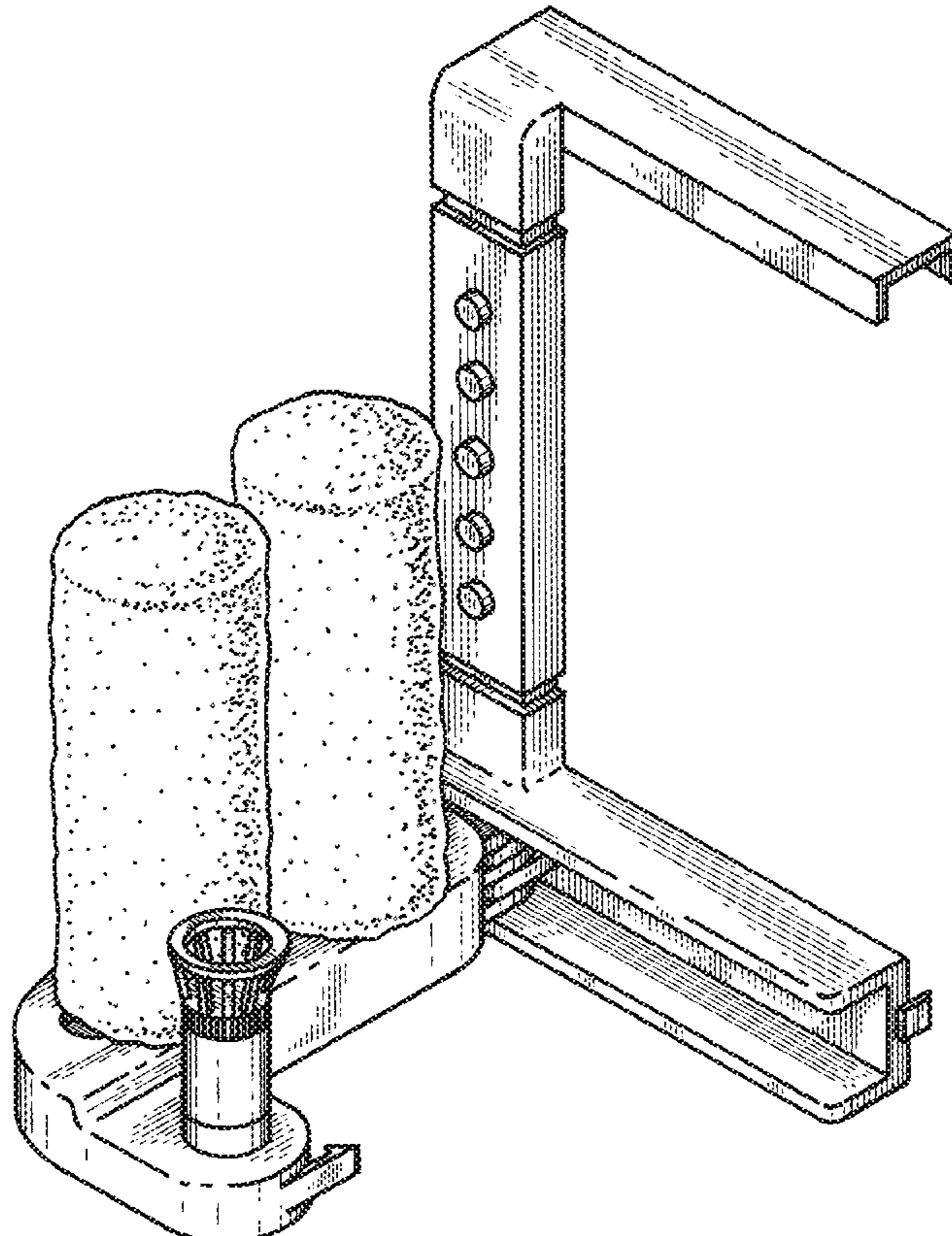
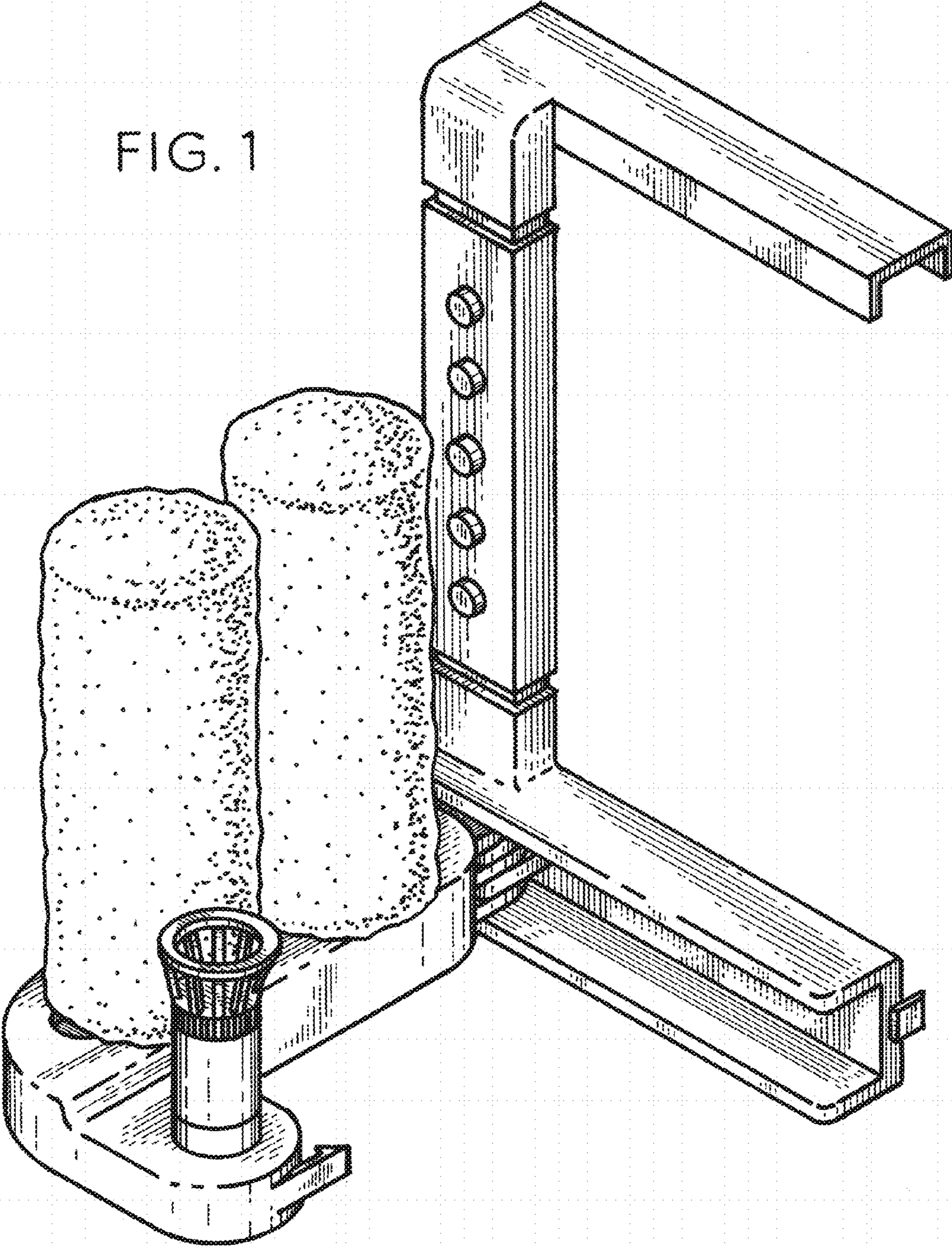


FIG. 1



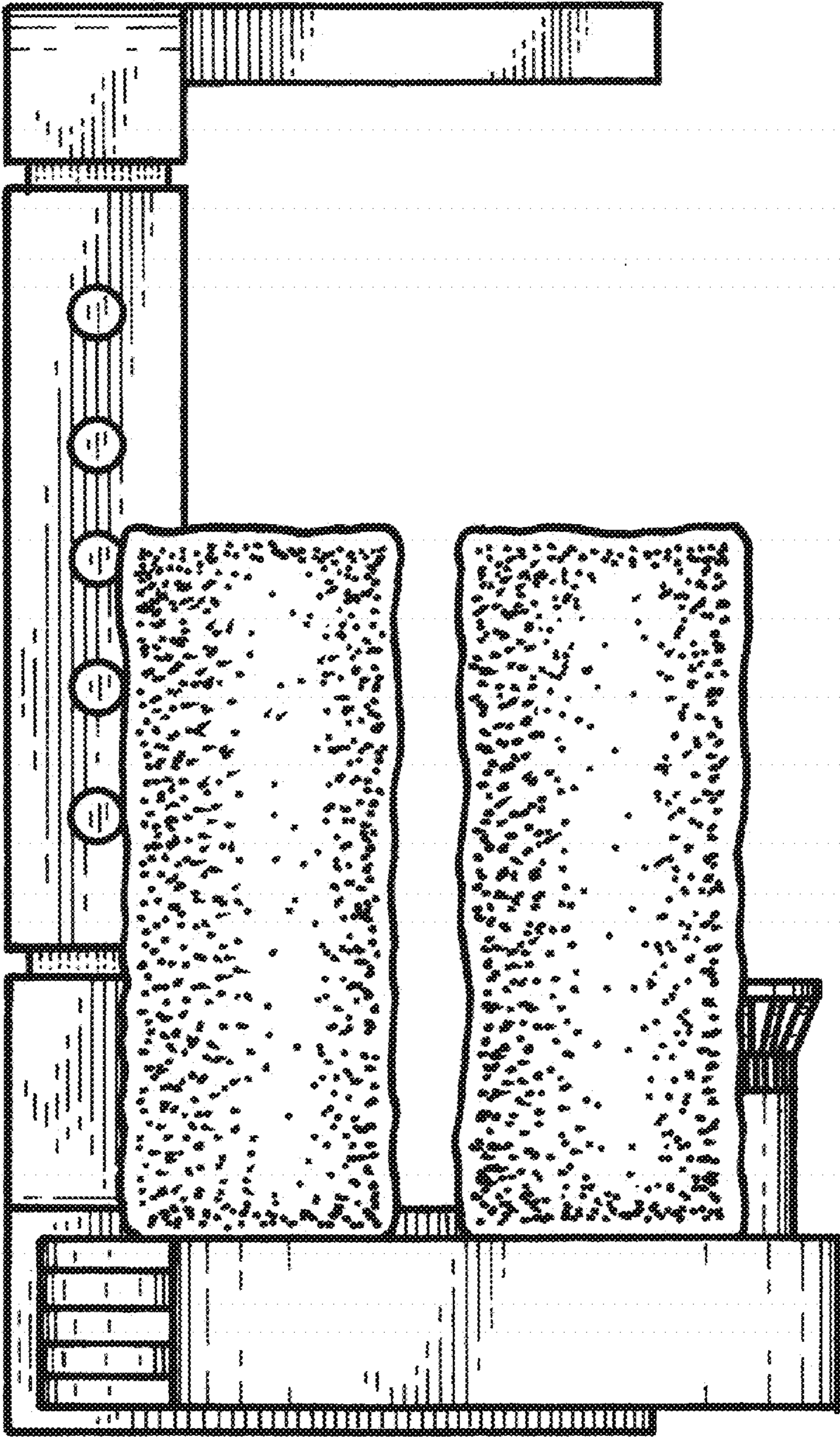


FIG. 2

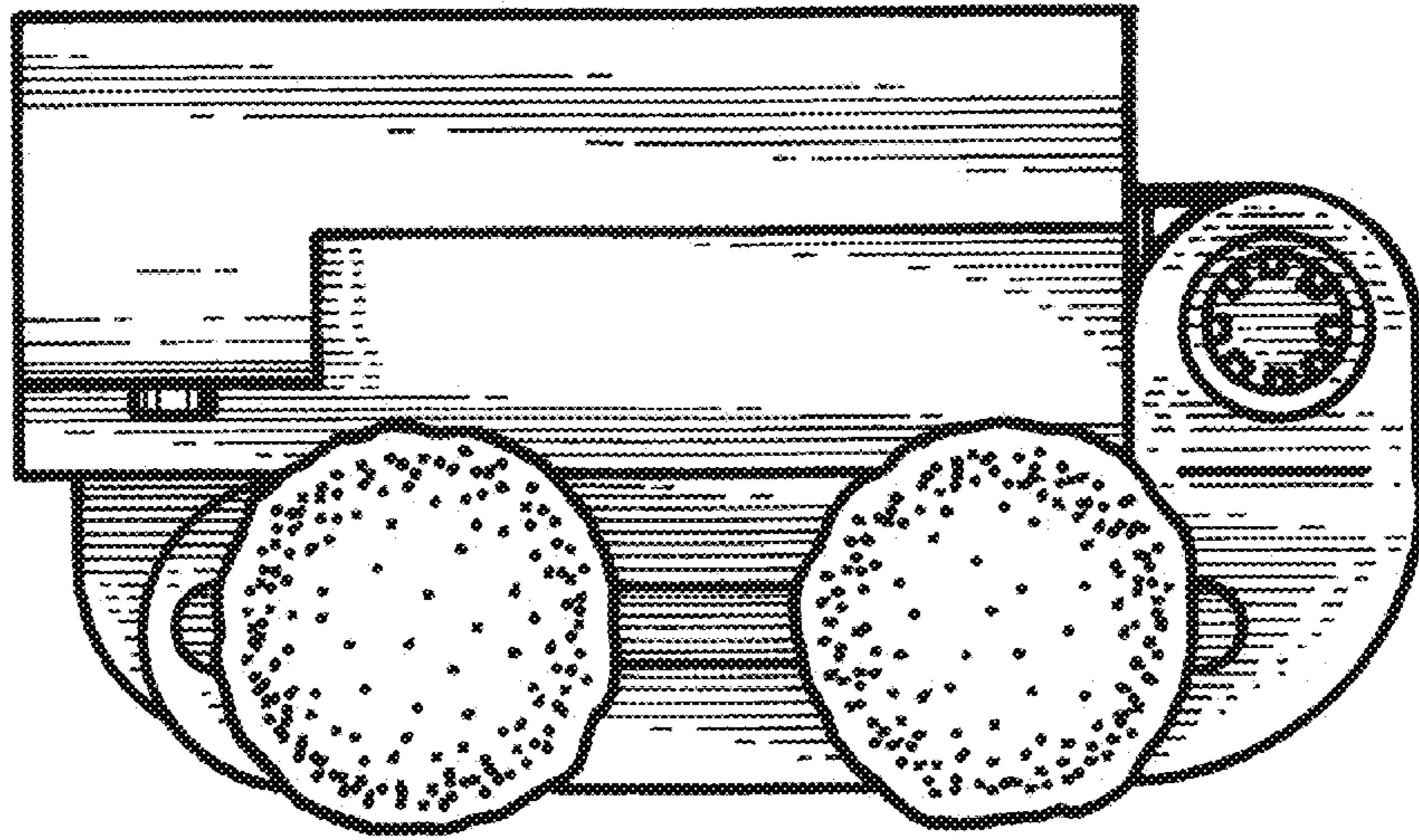


FIG. 3

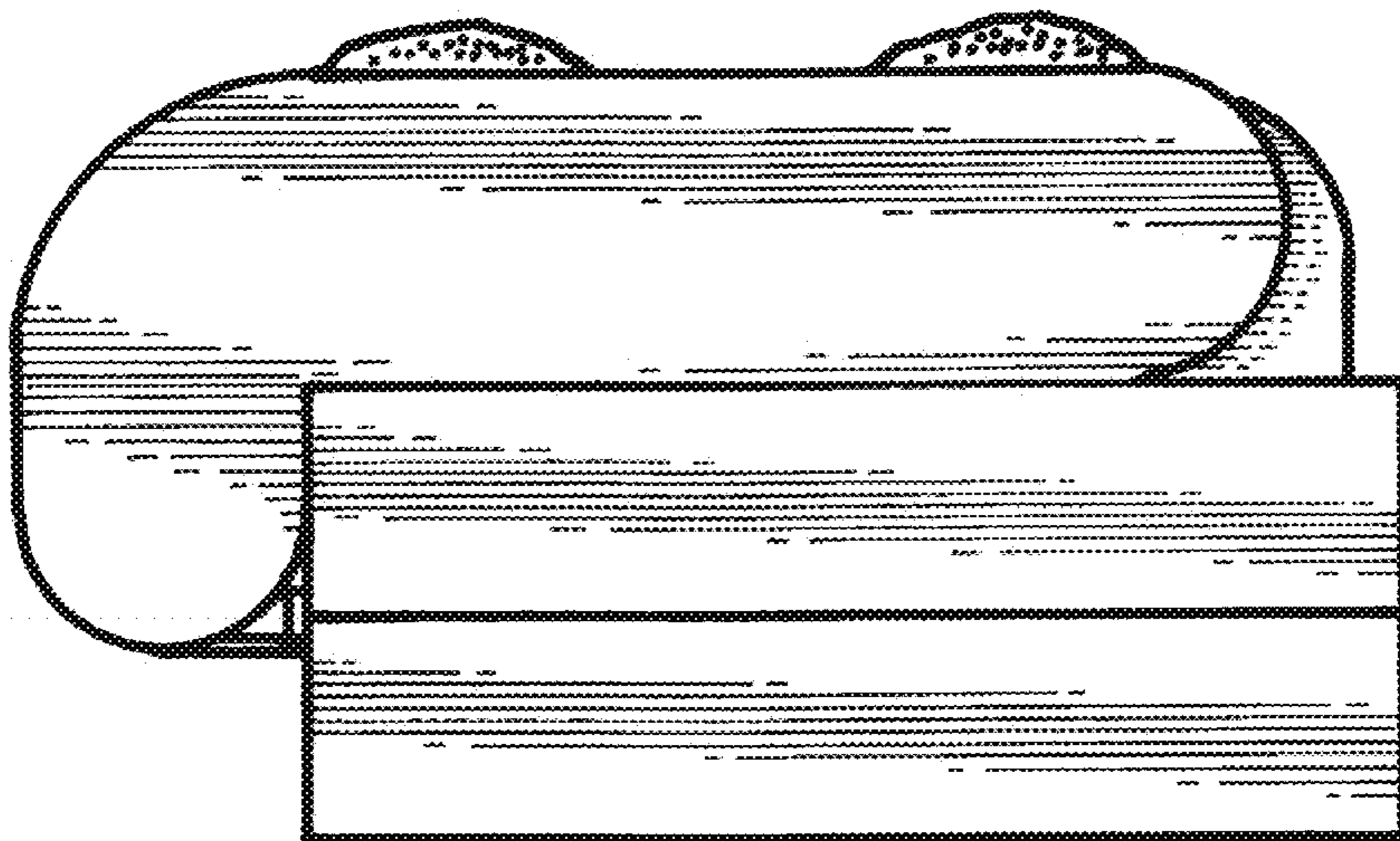


FIG. 4

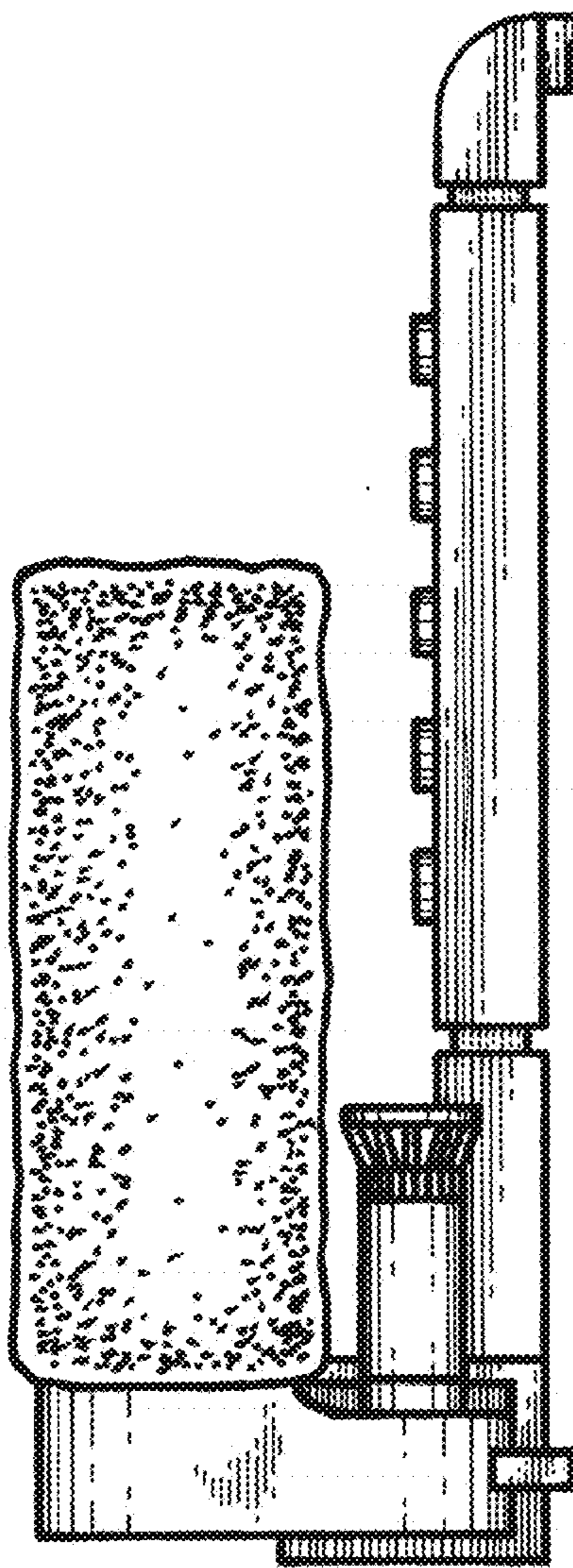


FIG. 5

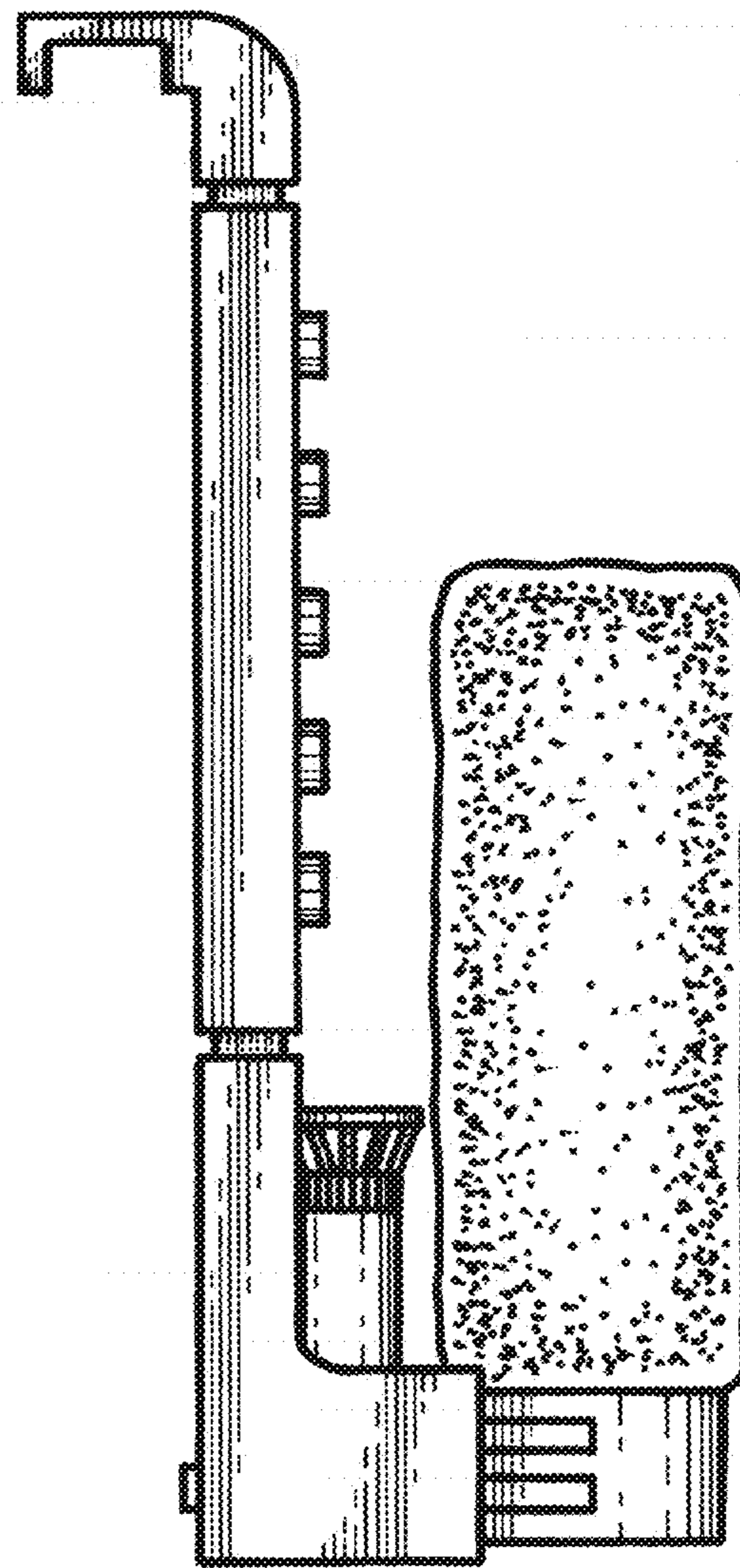


FIG. 6

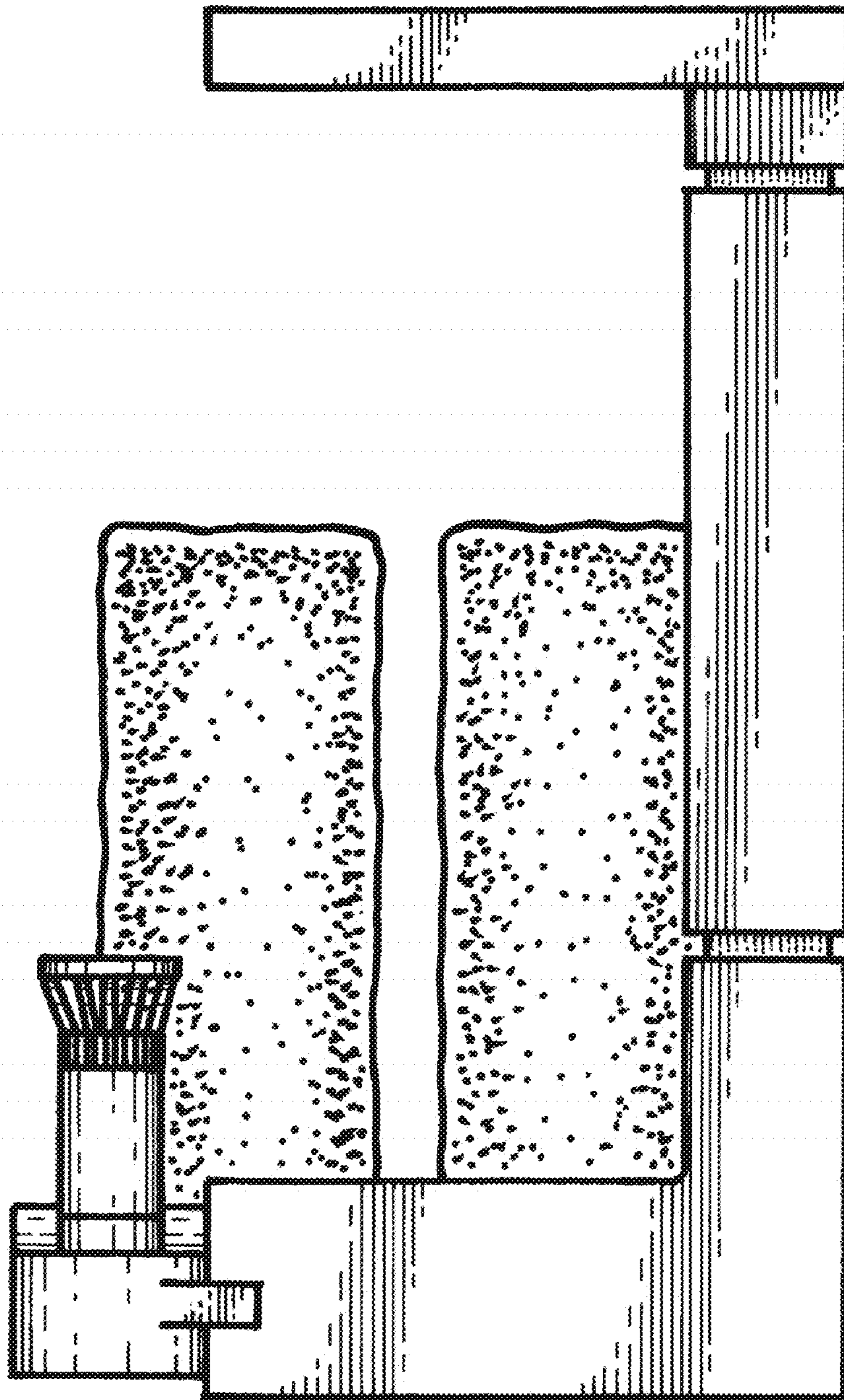


FIG. 7