



US00D679448S

(12) **United States Design Patent**
Erickson et al.

(10) **Patent No.:** **US D679,448 S**

(45) **Date of Patent:** **** Apr. 2, 2013**

(54) **LID FOR HAIR CLIPPER HOUSING**

(75) Inventors: **Gary Erickson**, Lena, IL (US); **Chad Aulwes**, Sterling, IL (US); **Raymond A. Nielsen**, Sterling, IL (US)

(73) Assignee: **Wahl Clipper Corporation**, Sterling, IL (US)

(**) Term: **14 Years**

(21) Appl. No.: **29/414,991**

(22) Filed: **Mar. 6, 2012**

(51) **LOC (9) Cl.** **28-03**

(52) **U.S. Cl.** **D28/54**

(58) **Field of Classification Search** D28/44,
D28/44.1, 49-54; 30/34.05, 34.1, 34.2, 43-43.92,
30/526, 527, 44-45, 341, 195-223, 272.1,
30/226-227, 231, 233-233.5

See application file for complete search history.

(56) **References Cited**

U.S. PATENT DOCUMENTS

5,787,587	A	8/1998	Wahl et al.
D435,936	S	1/2001	Long et al.
D454,980	S	3/2002	Long et al.
6,604,287	B2	8/2003	Melton et al.

D500,392	S	12/2004	Buck, Jr. et al.	
D534,689	S	*	1/2007	Gross et al. D28/53
D571,504	S	*	6/2008	Long et al. D28/54
D575,865	S	*	8/2008	Keuffel et al. D24/113
D597,253	S	*	7/2009	Eddinger et al. D28/54
D597,254	S		7/2009	Eddinger et al.
D619,303	S		7/2010	Aulwes et al.

* cited by examiner

Primary Examiner — Jennifer Rivard

(74) *Attorney, Agent, or Firm* — Greer, Burns & Crain, Ltd.

(57) **CLAIM**

The ornamental design for a lid for hair clipper housing, as shown and described.

DESCRIPTION

FIG. 1 is a top perspective view of the present lid for hair clipper housing;

FIG. 2 is a left side view of same;

FIG. 3 is a right side view of the housing of FIG. 1;

FIG. 4 is a rear view of same;

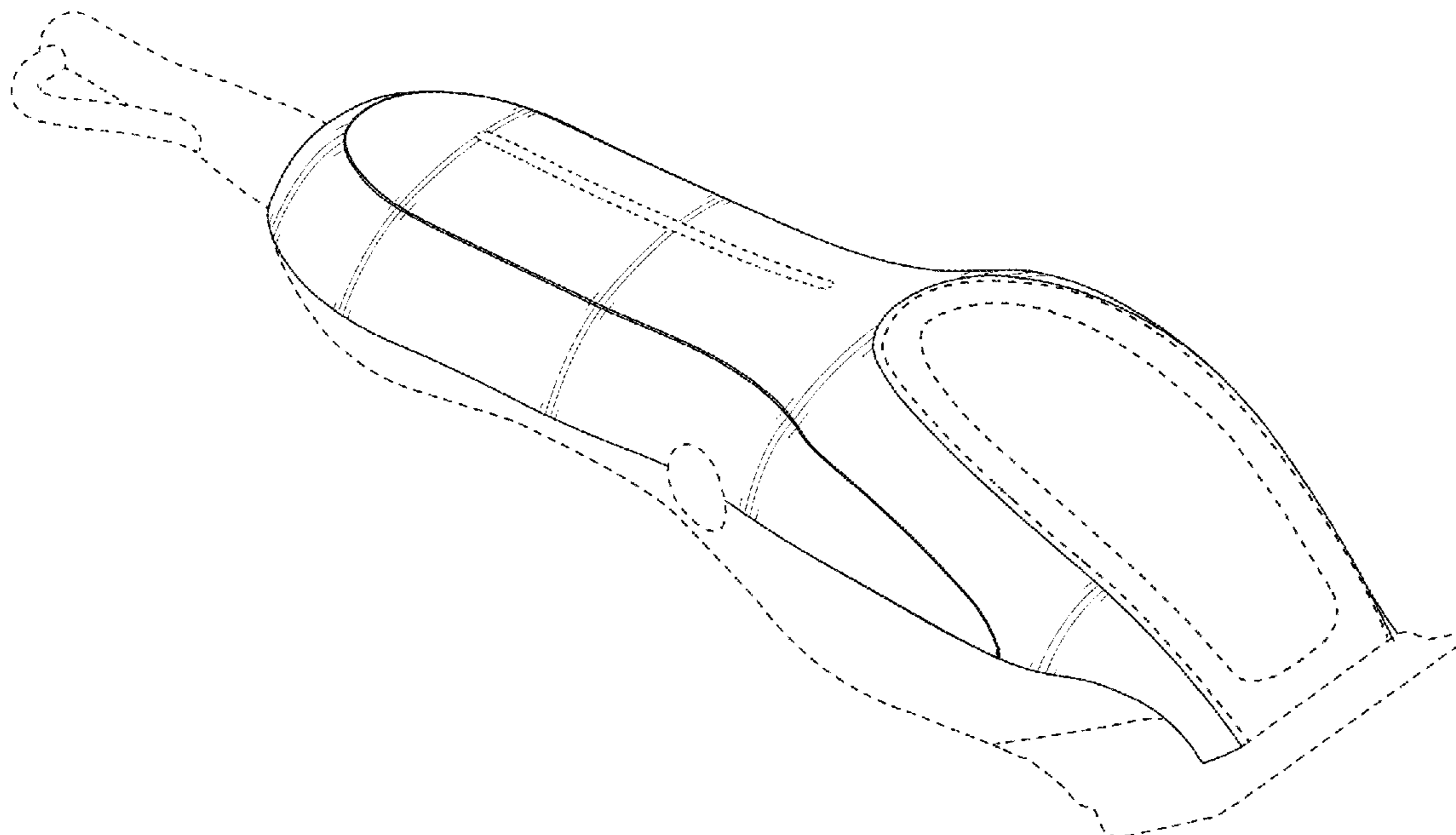
FIG. 5 is a front view of the housing of FIG. 1;

FIG. 6 is a top view of same; and,

FIG. 7 is a bottom view of same.

The structure shown in broken lines is for environment purposes only and does not form part of the claimed invention.

1 Claim, 4 Drawing Sheets



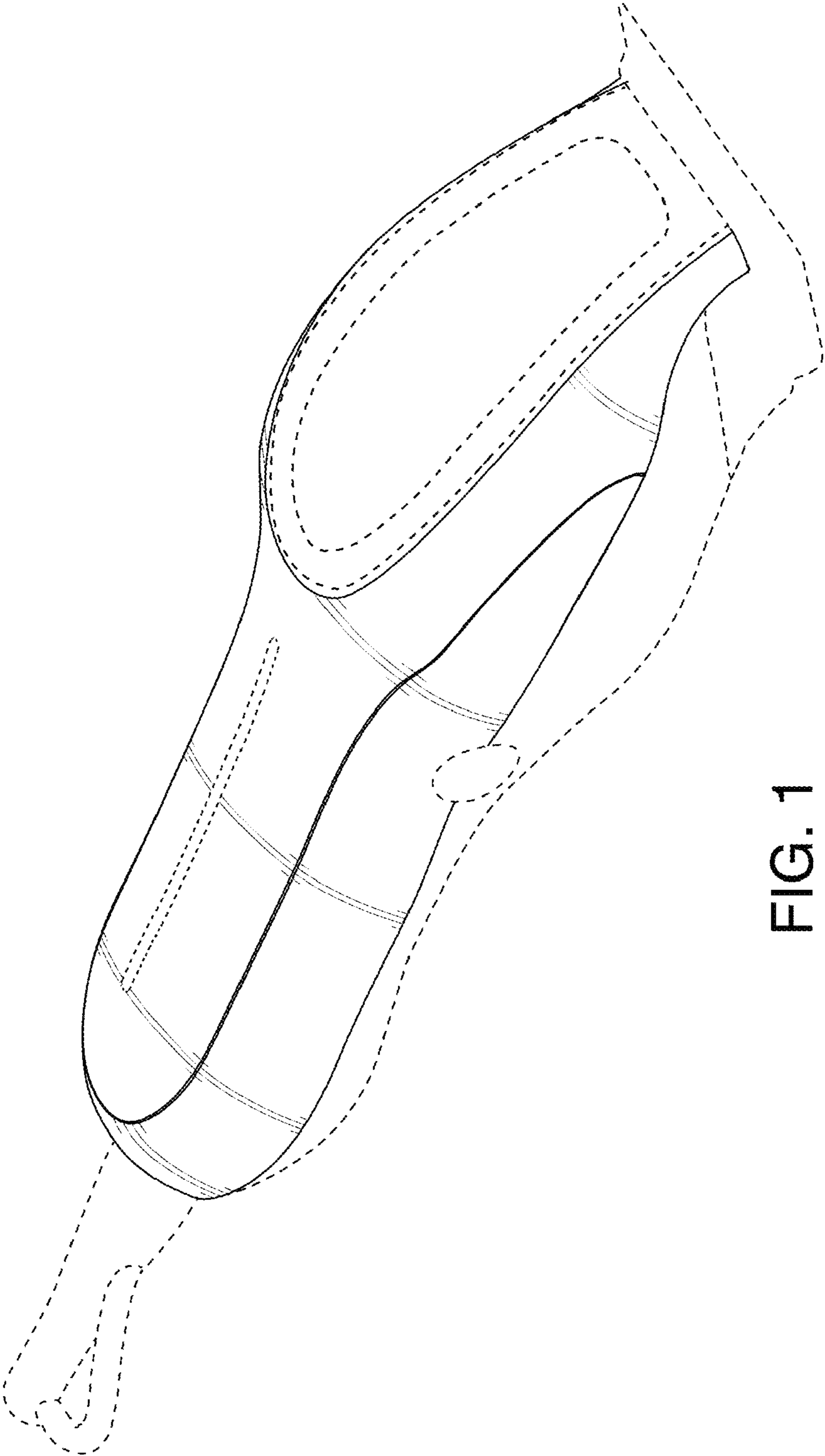


FIG. 1

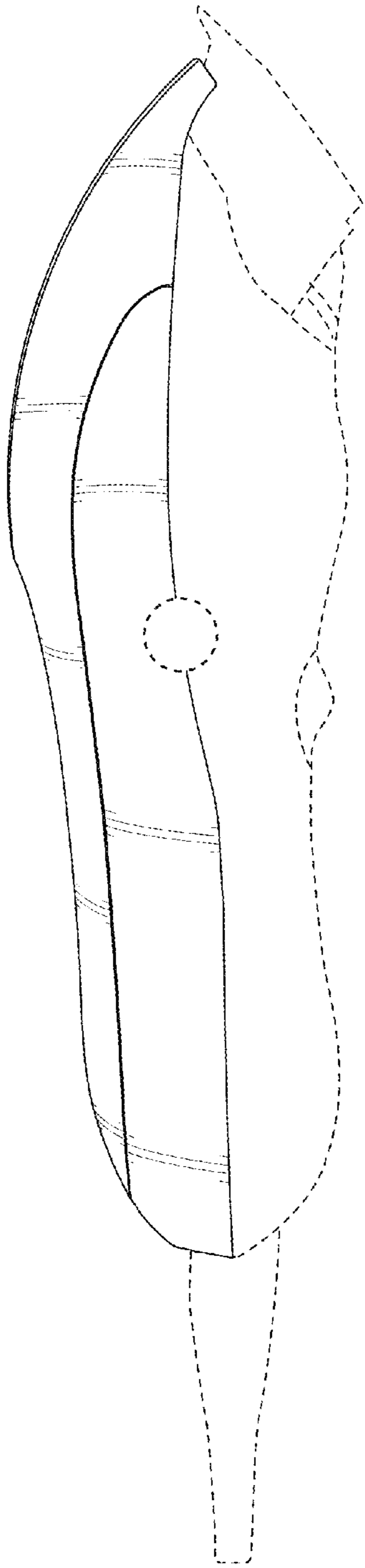


FIG. 2

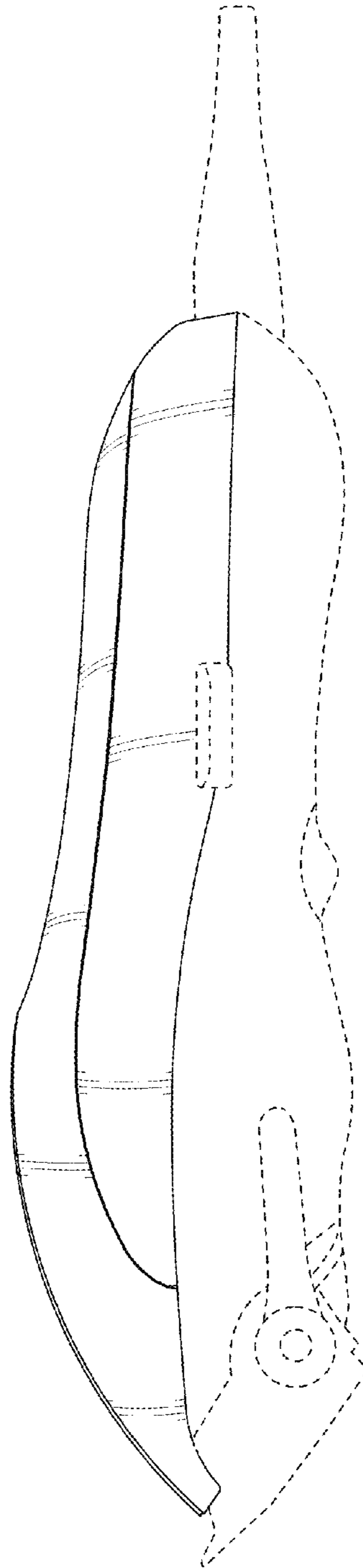


FIG. 3

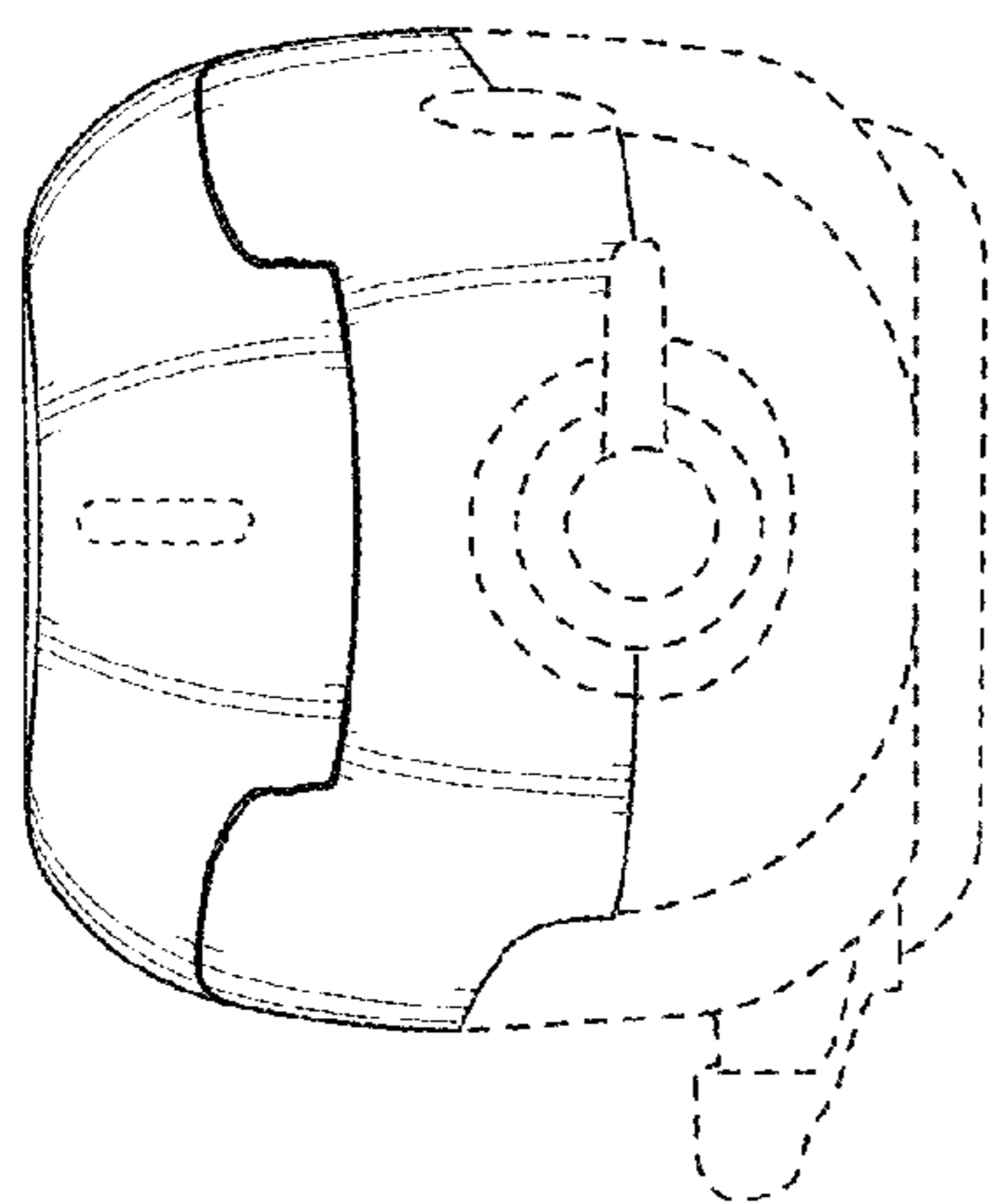


FIG. 4

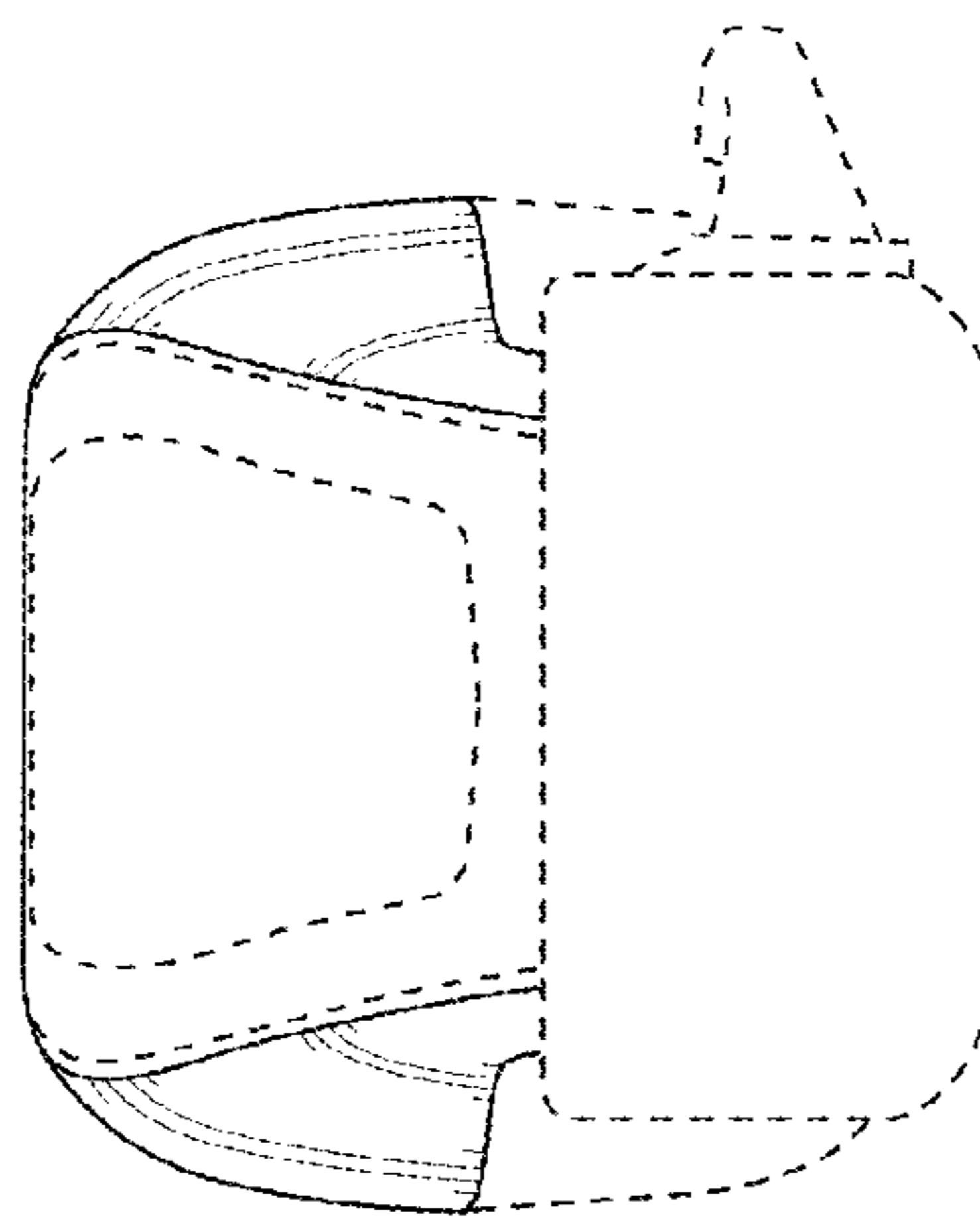


FIG. 5

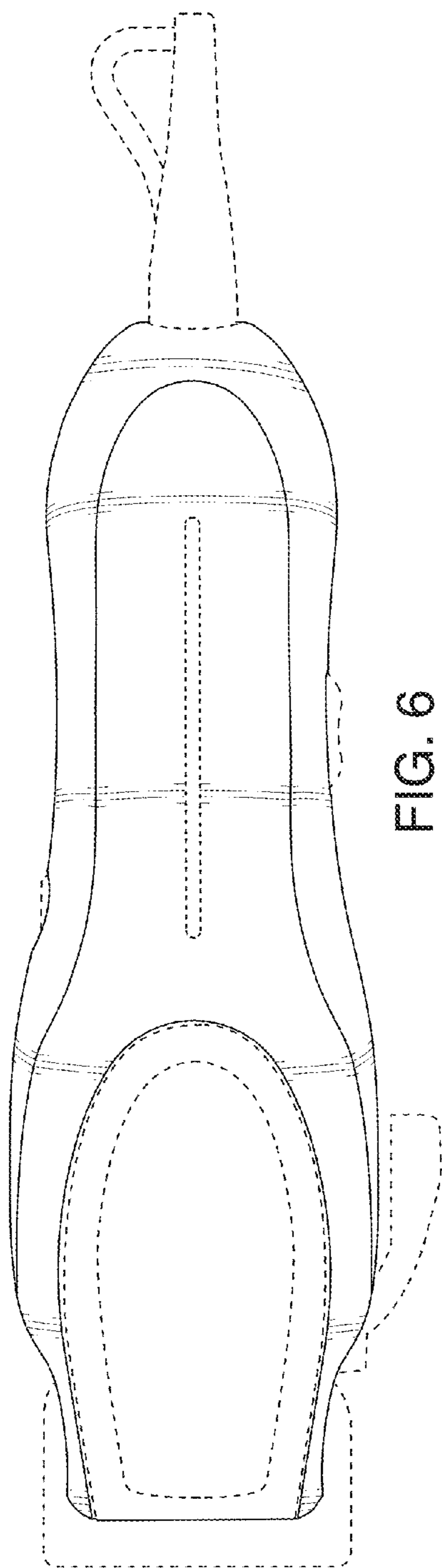


FIG. 6

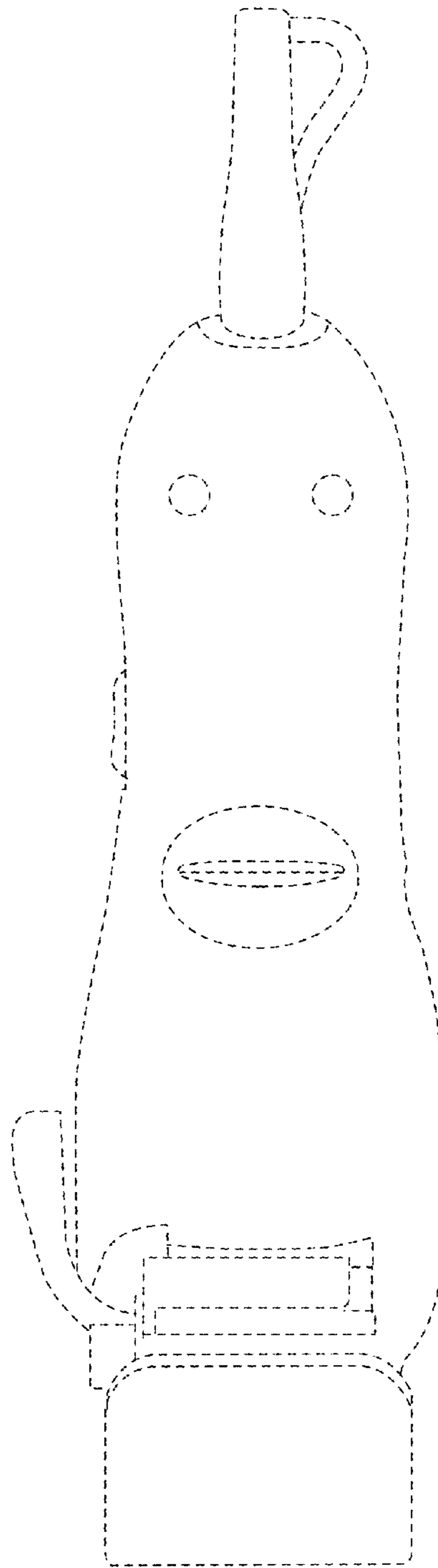


FIG. 7