



US00D679445S

(12) **United States Design Patent**  
**Kong et al.**

(10) **Patent No.:** **US D679,445 S**  
(45) **Date of Patent:** **\*\* Apr. 2, 2013**

(54) **LED LAMP**

(75) Inventors: **Kyung-II Kong**, Seoul (KR); **Han Gyoul Kim**, Seoul (KR); **Hwayoung Kim**, Seoul (KR); **Ji Yeon Hyun**, Seoul (KR)

(73) Assignee: **LG Innotek Co., Ltd.**, Seoul (KR)

(\*\*) Term: **14 Years**

(21) Appl. No.: **29/382,567**

(22) Filed: **Jan. 5, 2011**

**Related U.S. Application Data**

(62) Division of application No. 29/375,585, filed on Sep. 24, 2010, now Pat. No. Des. 637,338.

(30) **Foreign Application Priority Data**

Mar. 25, 2010 (KR) ..... 30-2010-0012991  
Mar. 25, 2010 (KR) ..... 30-2010-0012992

(51) **LOC (9) Cl.** ..... **26-99**

(52) **U.S. Cl.** ..... **D26/122**

(58) **Field of Classification Search** ..... D26/142,  
D26/118, 119, 113, 128, 129, 140, 141, 136,  
D26/135, 145, 155, 154, 130, 63, 62, 64,  
D26/65, 66, 67, 68, 69, 1, 2, 3, 88, 89, 24,  
D26/25, 26, 72, 74, 75, 76, 78, 77, 82, 84,  
D26/85, 93, 123, 124, 125; D13/179, 180;  
362/393, 145, 396, 194, 195, 196, 362, 326,  
362/149, 147, 146, 148, 234, 249.01-249.12,  
362/294, 295, 373

See application file for complete search history.

(56) **References Cited**

**U.S. PATENT DOCUMENTS**

4,130,860 A \* 12/1978 Careglio et al. .... 362/217.08  
D280,346 S \* 8/1985 Aspenwall ..... D26/75  
D336,352 S \* 6/1993 Dieperink et al. .... D26/76

D521,675 S \* 5/2006 Chen ..... D26/76  
D523,165 S \* 6/2006 Schultz ..... D26/76  
D547,897 S \* 7/2007 Willmorth et al. .... D26/76  
D549,382 S \* 8/2007 Lee ..... D26/76  
D556,359 S \* 11/2007 Cunius ..... D26/76  
D558,379 S \* 12/2007 Citterio ..... D26/76  
D581,079 S \* 11/2008 Mier-Langner ..... D26/72  
D592,349 S \* 5/2009 Maxik et al. .... D26/76  
D610,736 S \* 2/2010 Klaus ..... D26/76  
D621,086 S \* 8/2010 Purcell ..... D26/76  
D633,642 S \* 3/2011 Wauters ..... D26/85  
D637,338 S \* 5/2011 Kong et al. .... D26/88  
D642,725 S \* 8/2011 Kong et al. .... D26/76  
D649,281 S \* 11/2011 Sabernig ..... D26/90  
D650,939 S \* 12/2011 Edwards et al. .... D26/138  
D653,793 S \* 2/2012 Marquardt et al. .... D26/85  
D654,612 S \* 2/2012 Ng ..... D26/80  
D663,065 S \* 7/2012 Beghelli ..... D26/76  
D664,282 S \* 7/2012 Santoro et al. .... D26/90  
8,215,786 B2 \* 7/2012 Sloan et al. .... 362/145

\* cited by examiner

*Primary Examiner* — Kevin Rudzinski

(74) *Attorney, Agent, or Firm* — Ked & Associates LLP

(57) **CLAIM**

The ornamental design for a “LED lamp,” as shown and described.

**DESCRIPTION**

FIG. 1 is a front perspective view of a LED lamp according to an embodiment;

FIG. 2 is a front view of the LED lamp of FIG. 1;

FIG. 3 is a rear view of the LED lamp of FIG. 1;

FIG. 4 is a left side view of the LED lamp of FIG. 1;

FIG. 5 is a right side view of the LED lamp of FIG. 1;

FIG. 6 is a top view of the LED lamp of FIG. 1;

FIG. 7 is a bottom view of the LED lamp of FIG. 1; and,

FIG. 8 is a perspective view of the LED lamp of FIG. 1 shown in use with a holder for a LED lamp.

The broken lines shown in the drawings illustrate portions of the LED lamp that form no part of the claimed design.

**1 Claim, 5 Drawing Sheets**

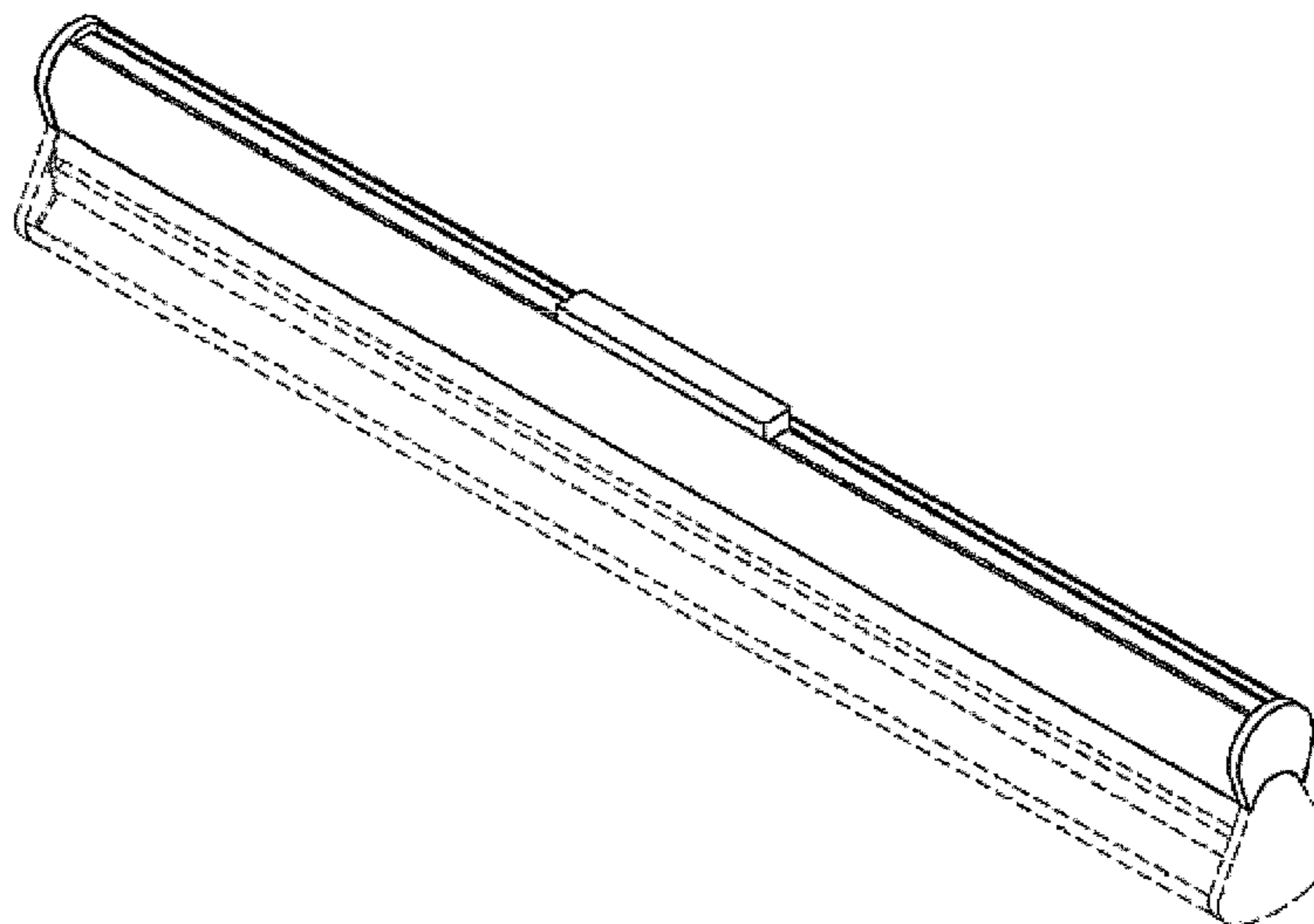


Figure 1

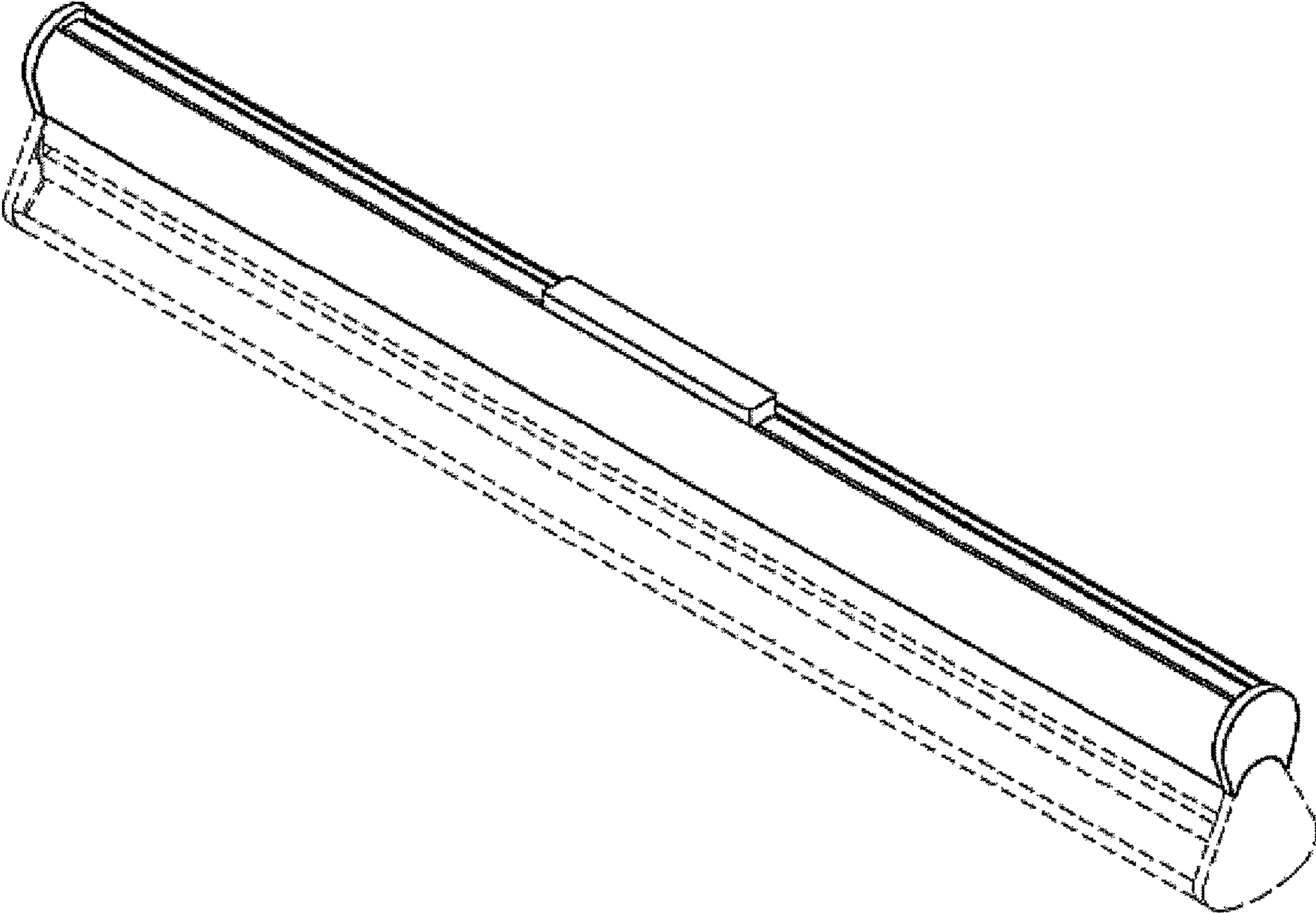


Figure 2

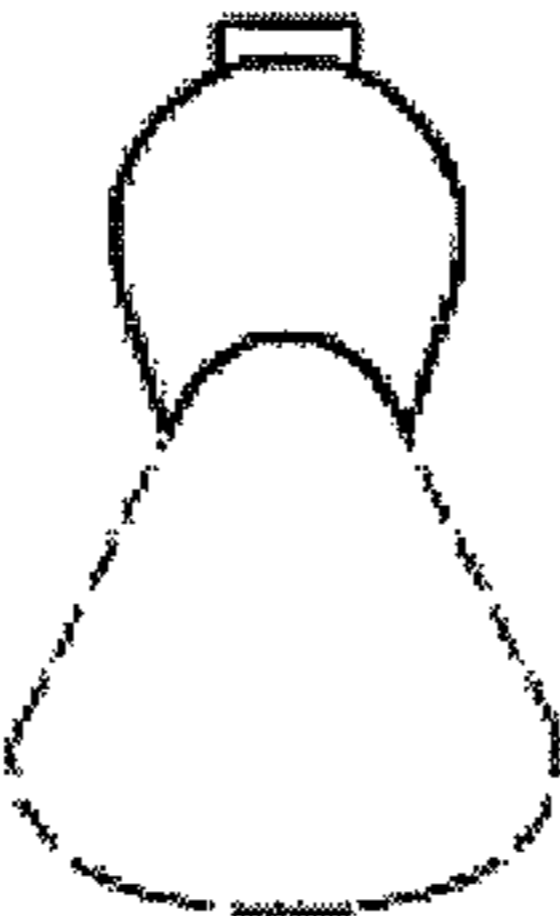


Figure 3

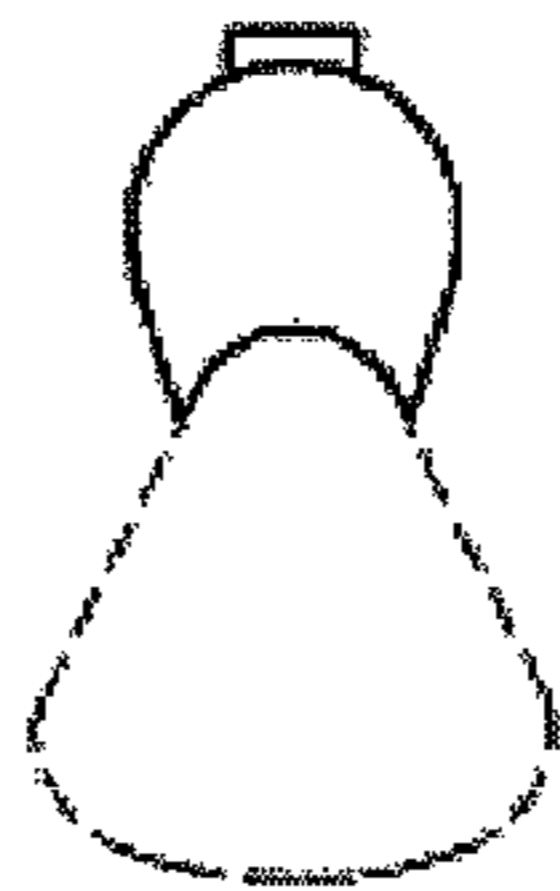


Figure 4

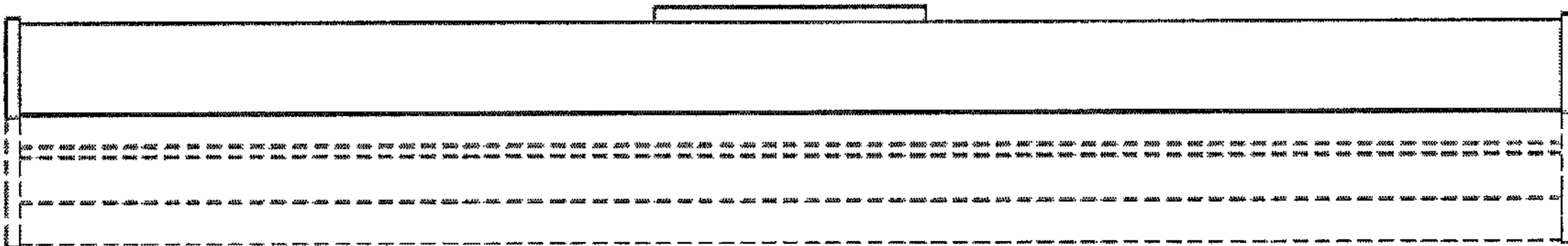


Figure 5

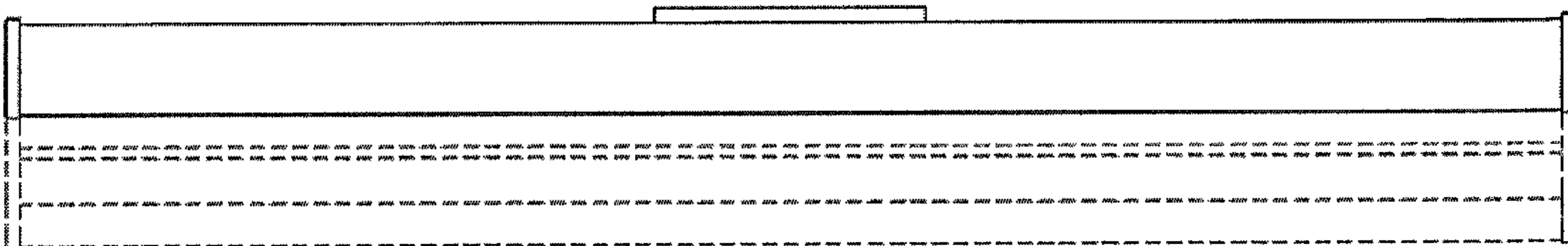


Figure 6

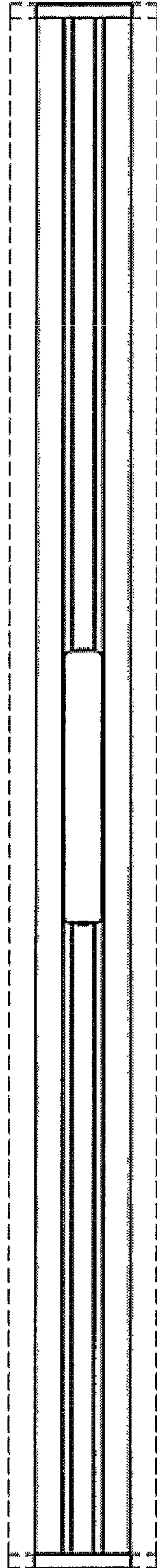


Figure 7

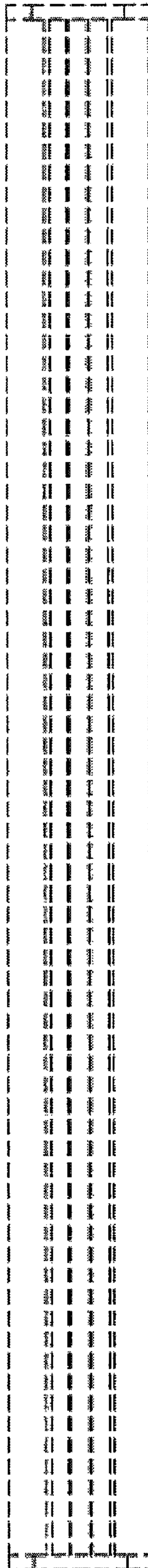


Figure 8

