



US00D679439S

(12) **United States Design Patent**
Lai

(10) **Patent No.:** **US D679,439 S**

(45) **Date of Patent:** **** *Apr. 2, 2013**

(54) **LIGHT BAR**

(76) Inventor: **Po-Sheng Lai**, Yilan County (TW)

(*) Notice: This patent is subject to a terminal disclaimer.

(**) Term: **14 Years**

(21) Appl. No.: **29/379,252**

(22) Filed: **Nov. 17, 2010**

(51) **LOC (9) Cl.** **26-05**

(52) **U.S. Cl.** **D26/75**

(58) **Field of Classification Search** D26/75-85,
D26/88, 89, 72, 25, 3, 113, 118, 128, 141,
D26/142, 51, 1, 2, 24; 362/555, 14, 148,
362/150, 217.01, 217.05, 217.06, 217.07,
362/217.08, 217.09, 217.1, 217.12, 217.13,
362/260, 296.01, 404, 101; D13/108, 182
See application file for complete search history.

(56) **References Cited**

U.S. PATENT DOCUMENTS

D477,093 S *	7/2003	Moriyama et al.	D26/3
D477,094 S *	7/2003	Moriyama et al.	D26/3
D513,082 S *	12/2005	Hoshikawa et al.	D26/25
D528,226 S *	9/2006	Nagai et al.	D26/1
D532,143 S *	11/2006	Woertler	D26/80
D573,730 S *	7/2008	Uemoto et al.	D26/24
D584,429 S *	1/2009	Pei et al.	D26/3
D595,444 S *	6/2009	Shimomura	D26/76
D606,673 S *	12/2009	Kao	D26/3
D610,099 S *	2/2010	Osawa	D13/180

D623,321 S *	9/2010	Levine	D26/25
D627,914 S *	11/2010	Couture	D26/76
D640,212 S *	6/2011	Lin et al.	D13/180

* cited by examiner

Primary Examiner — Angela J Lee

(57) **CLAIM**

The ornamental design for a light bar, as shown and described.

DESCRIPTION

FIG. 1 is a perspective view of a light bar showing my new design;

FIG. 2 is a front elevational view thereof;

FIG. 3 is a rear elevational view thereof;

FIG. 4 is a left side view thereof;

FIG. 5 is a right side view thereof;

FIG. 6 is a top plan view thereof;

FIG. 7 is a bottom plan view thereof;

FIG. 8 is a perspective view of the light bar that is divided into A, B, C, D and E five areas;

FIG. 9 is an enlarged perspective view of the A area in FIG. 8;

FIG. 10 is an enlarged perspective view of the B area in FIG. 8;

FIG. 11 is an enlarged perspective view of the C area in FIG. 8;

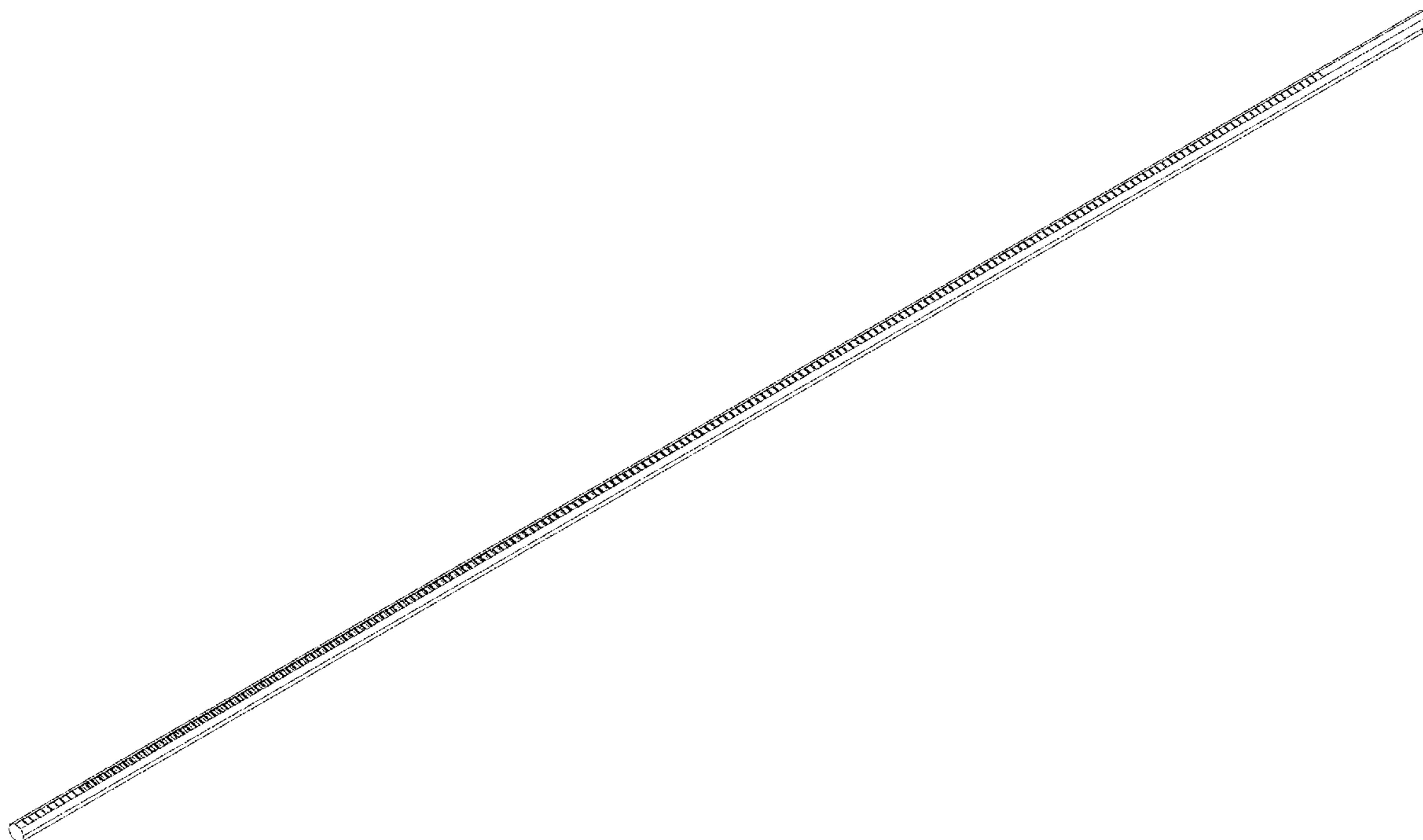
FIG. 12 is an enlarged perspective view of the D area in FIG. 8;

FIG. 13 is an enlarged perspective view of the E area in FIG. 8;

FIG. 14 is an enlarged left side view thereof; and,

FIG. 15 is an enlarged right side view thereof.

1 Claim, 9 Drawing Sheets



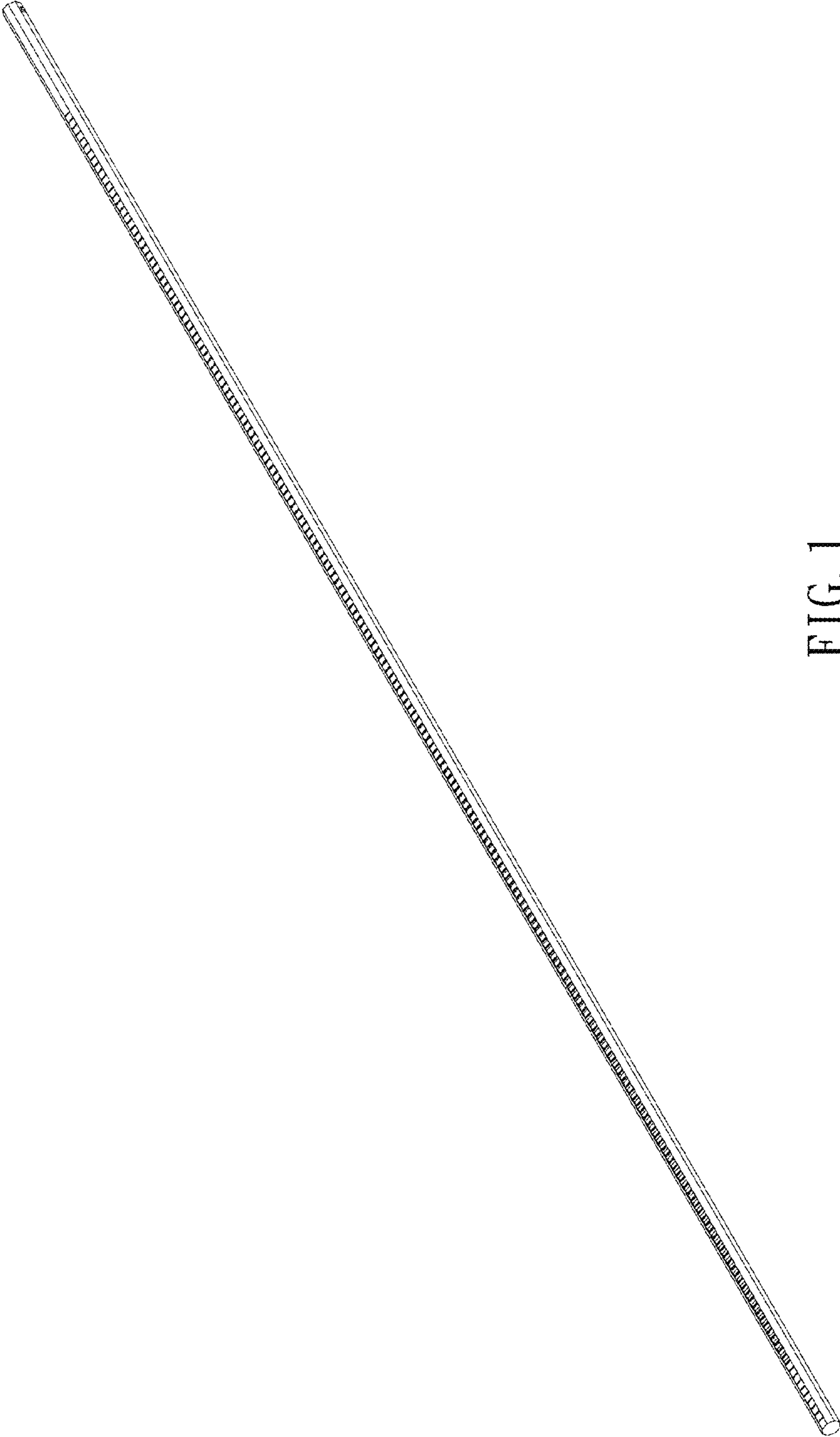


FIG. 1



FIG. 2



FIG. 3



FIG. 5



FIG. 4



FIG. 6



FIG. 7

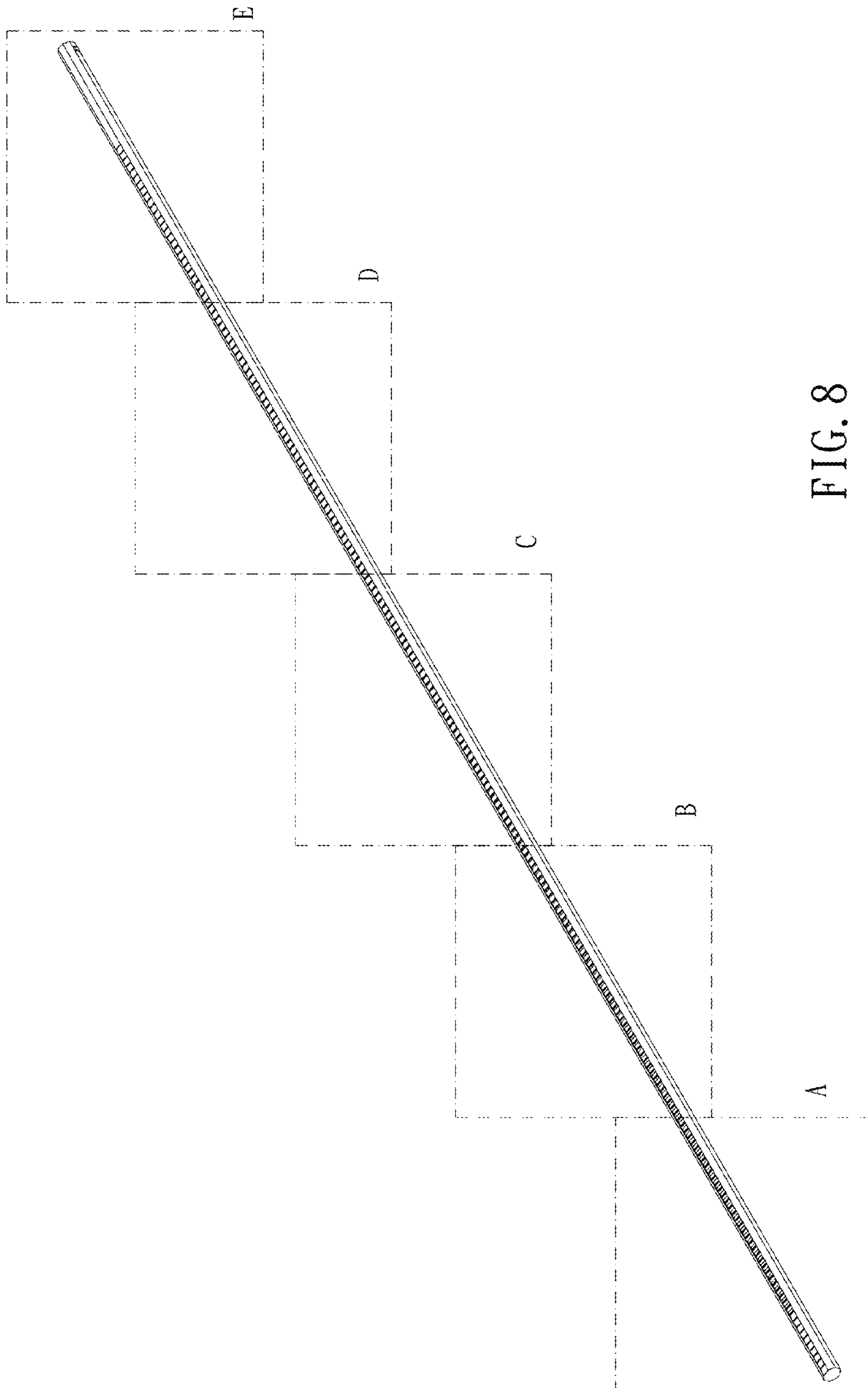


FIG. 8

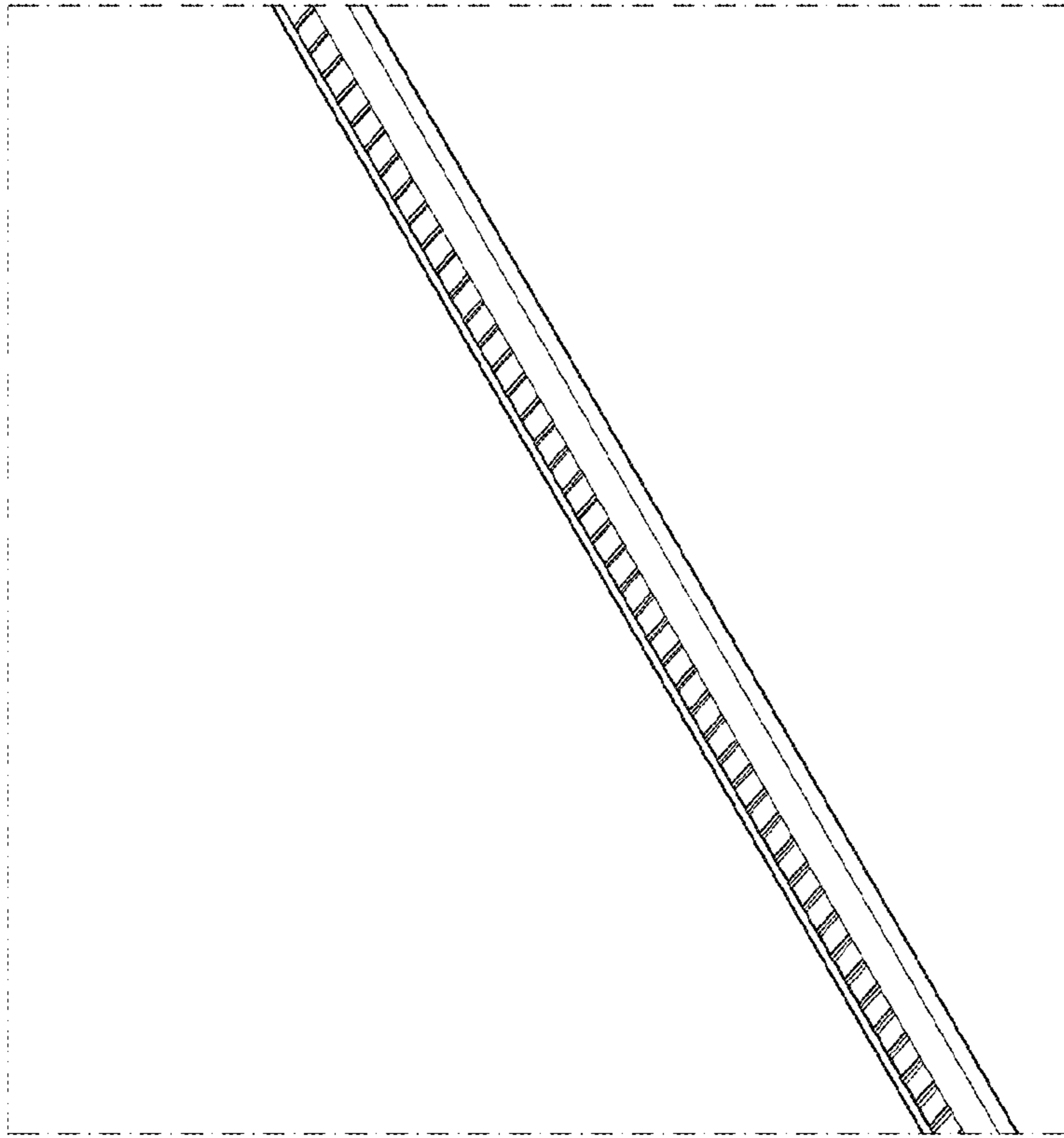


FIG. 10

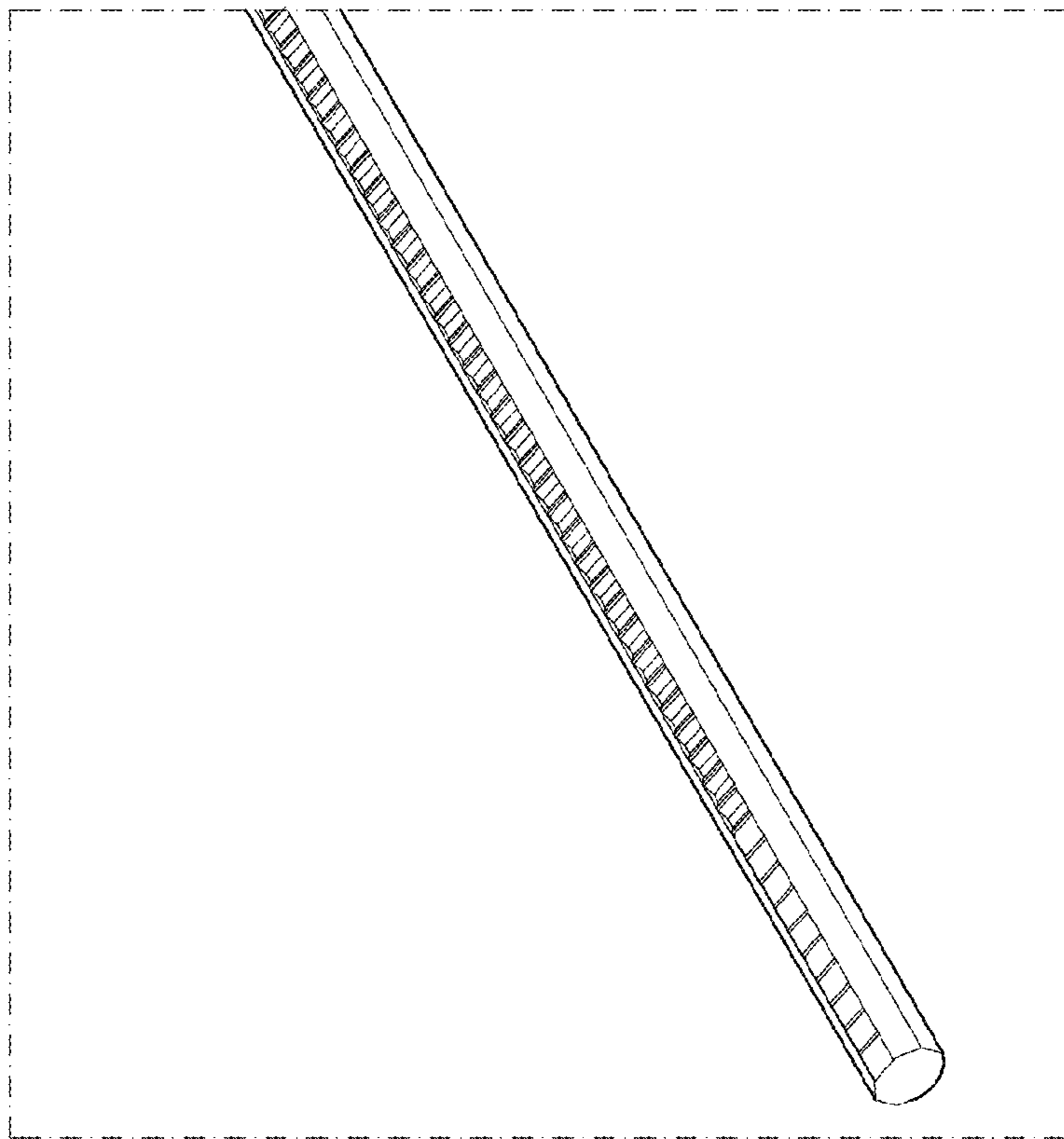


FIG. 9

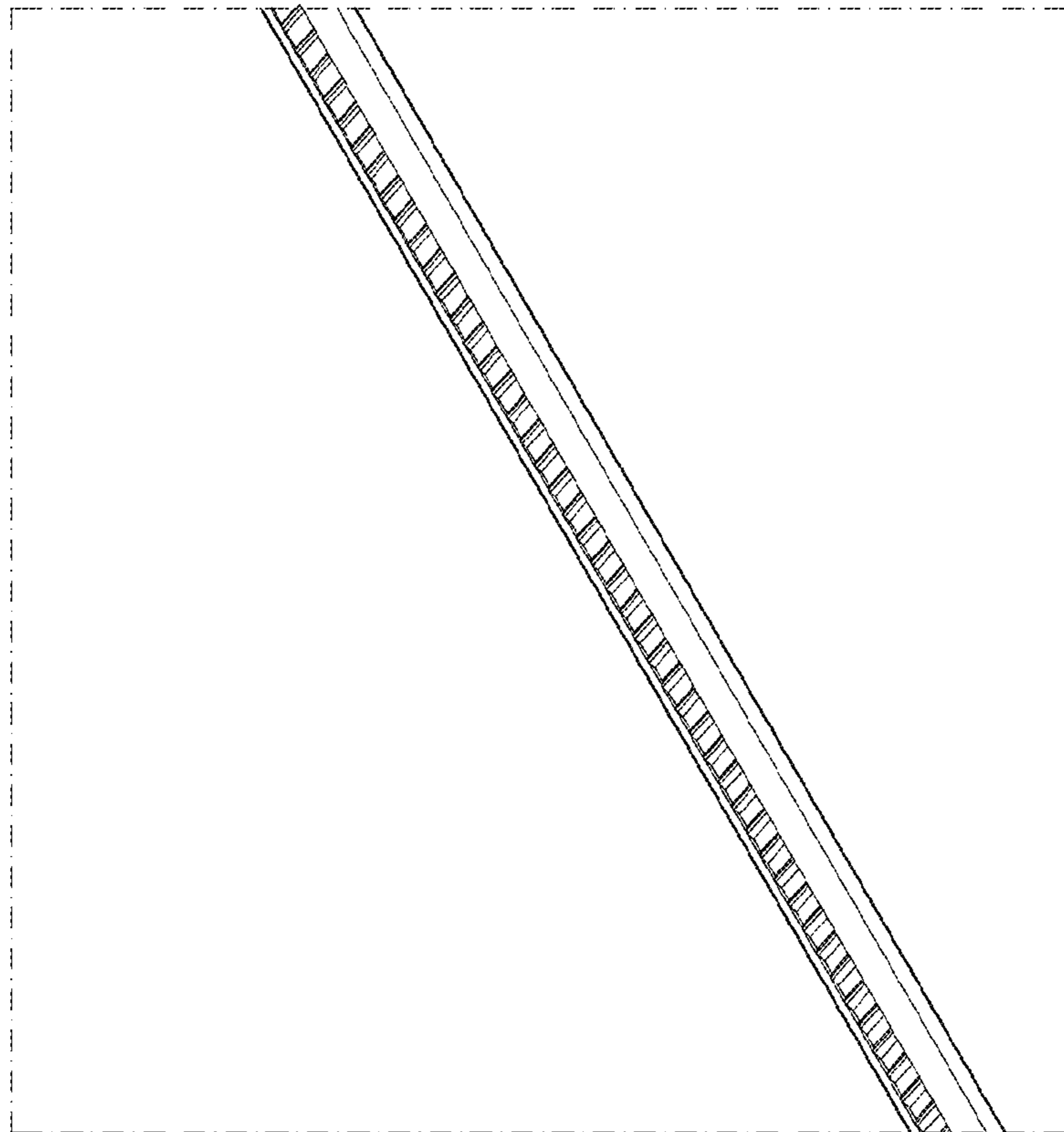
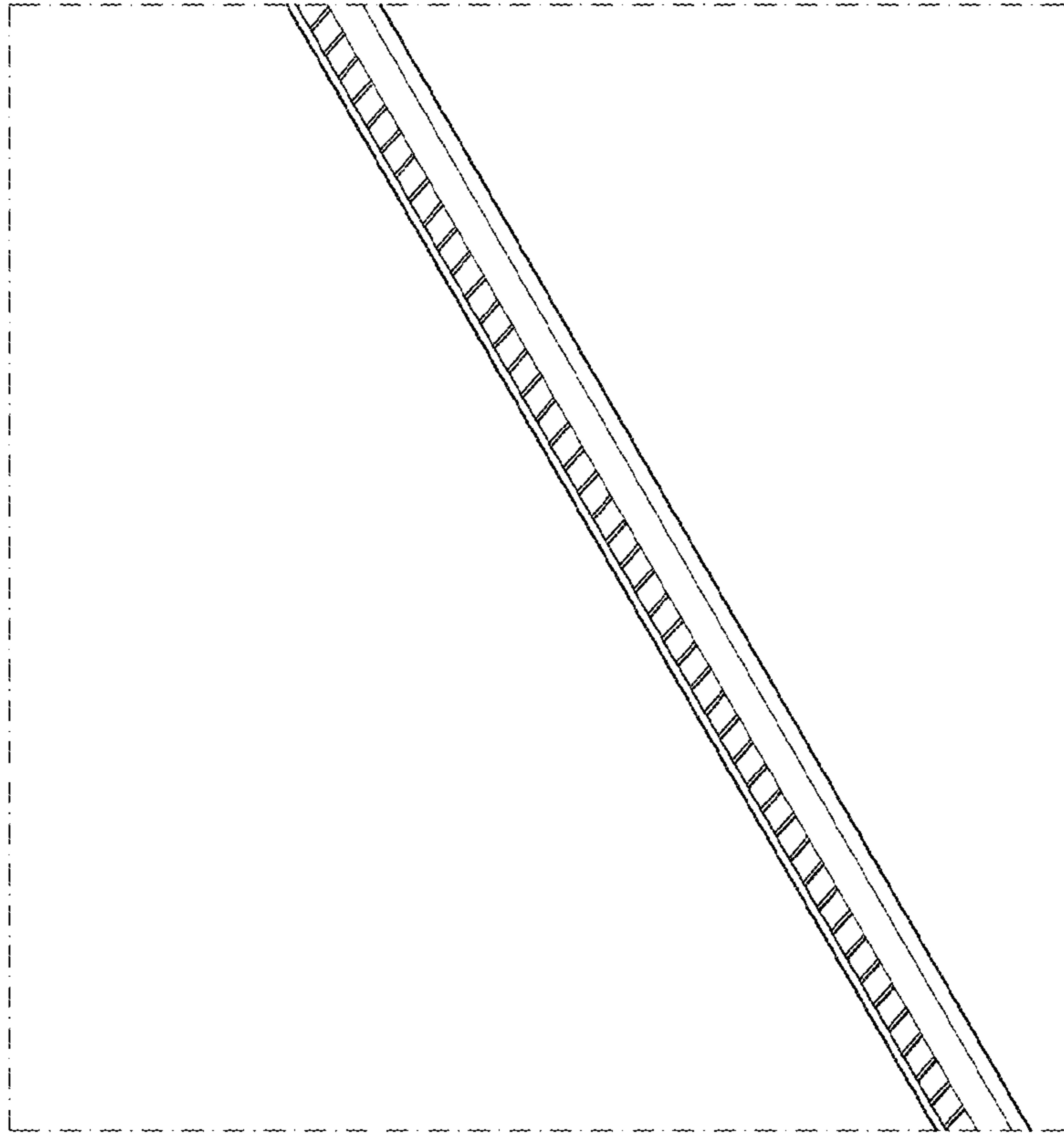


FIG. 12

FIG. 11

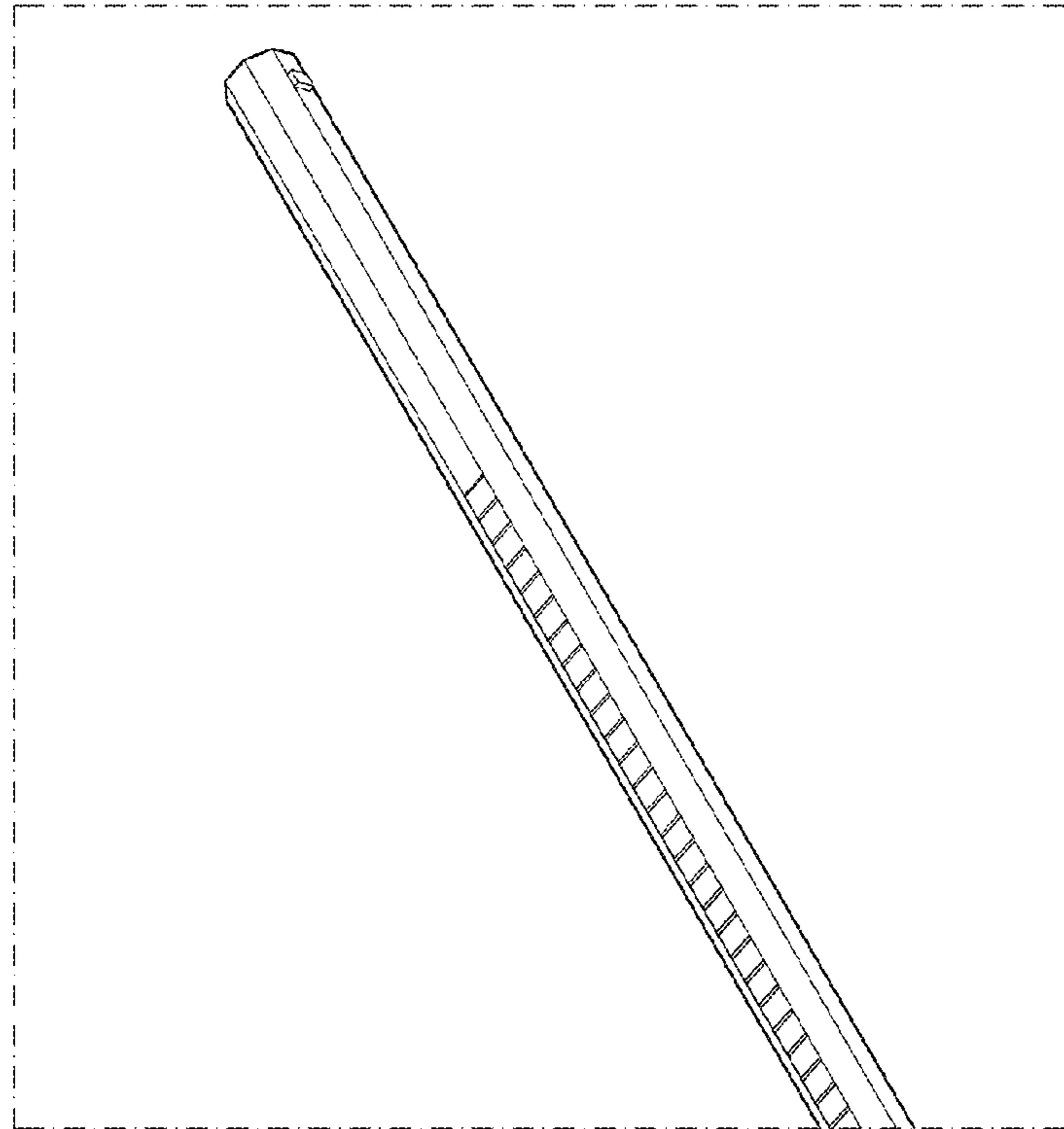


FIG. 13

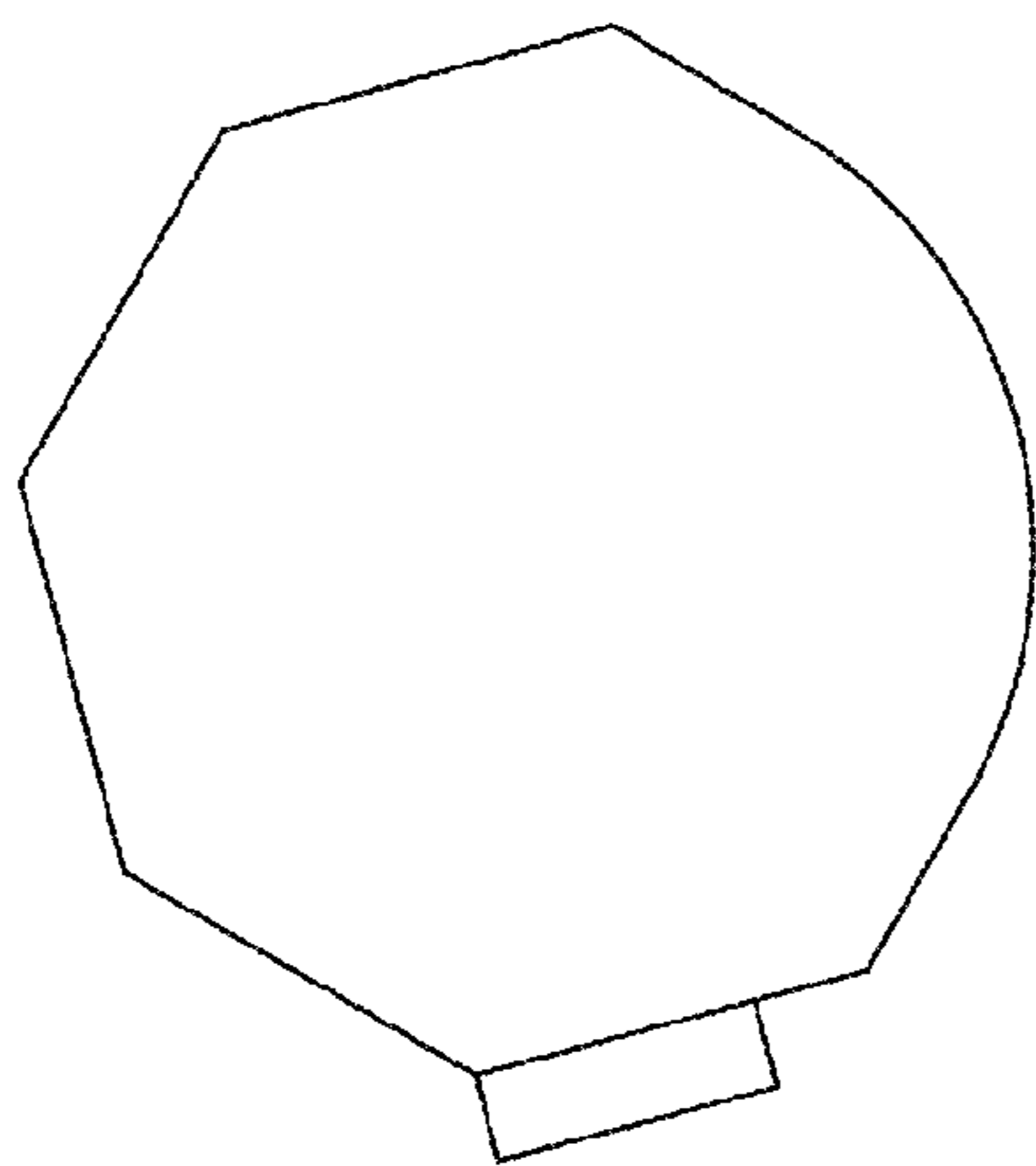


FIG. 15

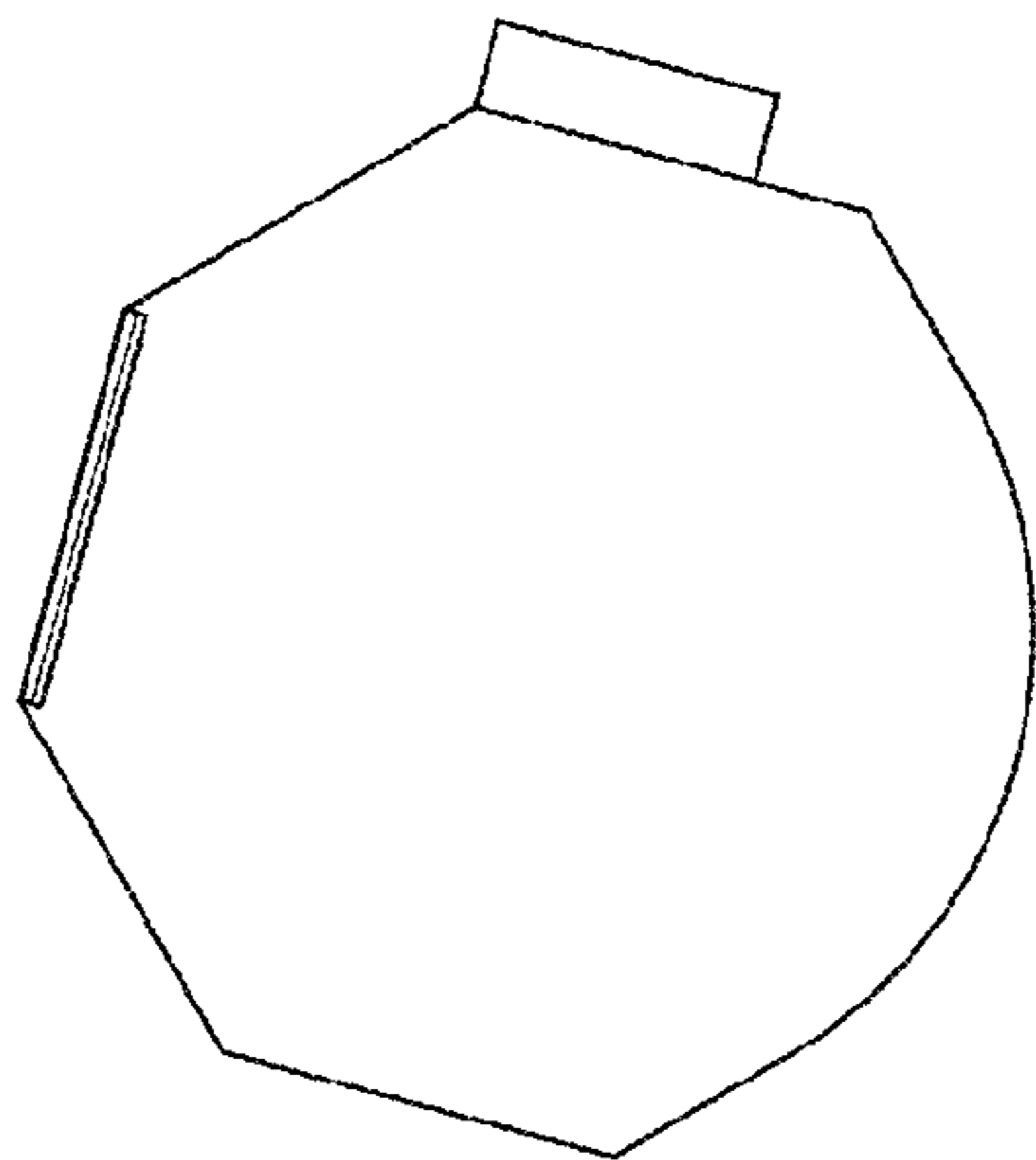


FIG. 14