



US00D679435S

(12) **United States Design Patent**  
**Sohn**

(10) **Patent No.:** **US D679,435 S**

(45) **Date of Patent:** **\*\* Apr. 2, 2013**

(54) **LIGHT**

(75) **Inventor:** **Dae Up Sohn, Seoul (KR)**

(73) **Assignee:** **Naschem Co., Ltd., Incheon (KR)**

(\*\*) **Term:** **14 Years**

(21) **Appl. No.:** **29/409,273**

(22) **Filed:** **Dec. 21, 2011**

(51) **LOC (9) Cl.** ..... **26-05**

(52) **U.S. Cl.** ..... **D26/60**

(58) **Field of Classification Search** ..... D26/60,  
D26/61, 37, 38, 39, 41, 46, 51; 362/98, 99,  
362/287, 396, 800, 157, 418, 430, 640, 232,  
362/249.01–249.04, 249.11, 253, 285, 288,  
362/174, 103–108

See application file for complete search history.

(56) **References Cited**

**U.S. PATENT DOCUMENTS**

D507,065	S *	7/2005	Son	.....	D26/39
7,118,241	B2 *	10/2006	Sohn	.....	362/106
7,163,309	B2 *	1/2007	Sohn	.....	362/106
D541,452	S *	4/2007	Schnell	.....	D26/39
D564,685	S *	3/2008	Schnell	.....	D26/39
D578,691	S *	10/2008	Lau	.....	D26/39

D590,531	S *	4/2009	Ma	.....	D26/60
D590,975	S *	4/2009	Ma	.....	D26/60
D615,227	S *	5/2010	Hine et al.	.....	D26/46
7,708,422	B2 *	5/2010	Sohn	.....	362/106
D631,587	S *	1/2011	Hine et al.	.....	D26/39
8,002,437	B2 *	8/2011	Sohn	.....	362/249.09

\* cited by examiner

*Primary Examiner* — Susan M Lee

*Assistant Examiner* — Linda G. Brooks

(74) *Attorney, Agent, or Firm* — Kile Park Goekjian Reed & McManus PLLC

(57) **CLAIM**

I claim, the ornamental design for a light, as shown and described.

**DESCRIPTION**

FIG. 1 is a perspective view of a light, showing my new design;

FIG. 2 is a front elevational view thereof;

FIG. 3 is a rear elevational view thereof;

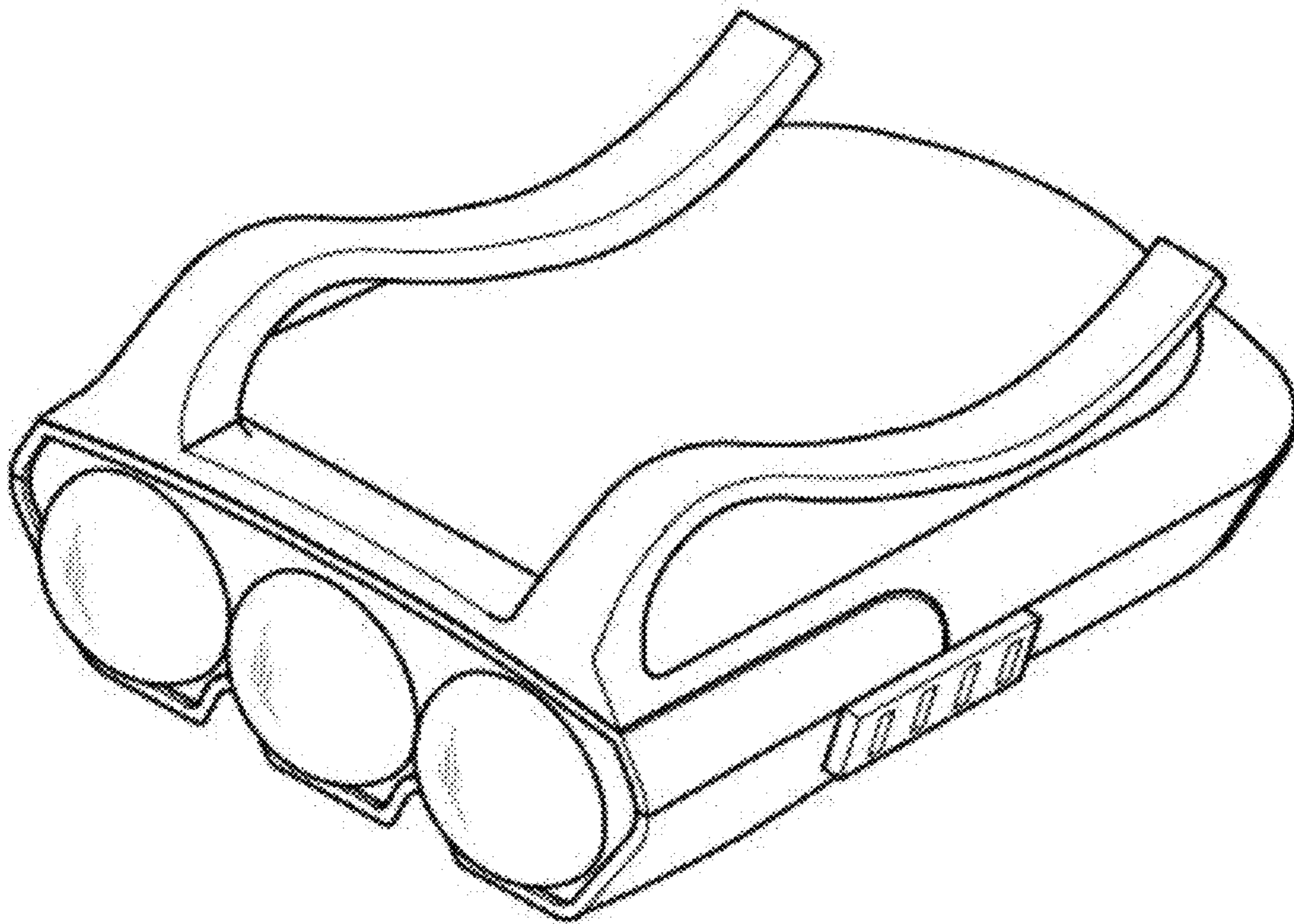
FIG. 4 is a left side elevational view thereof;

FIG. 5 is a right side elevational view thereof;

FIG. 6 is a top plan view thereof; and,

FIG. 7 is a bottom plan view thereof.

**1 Claim, 4 Drawing Sheets**



**FIG. 1**

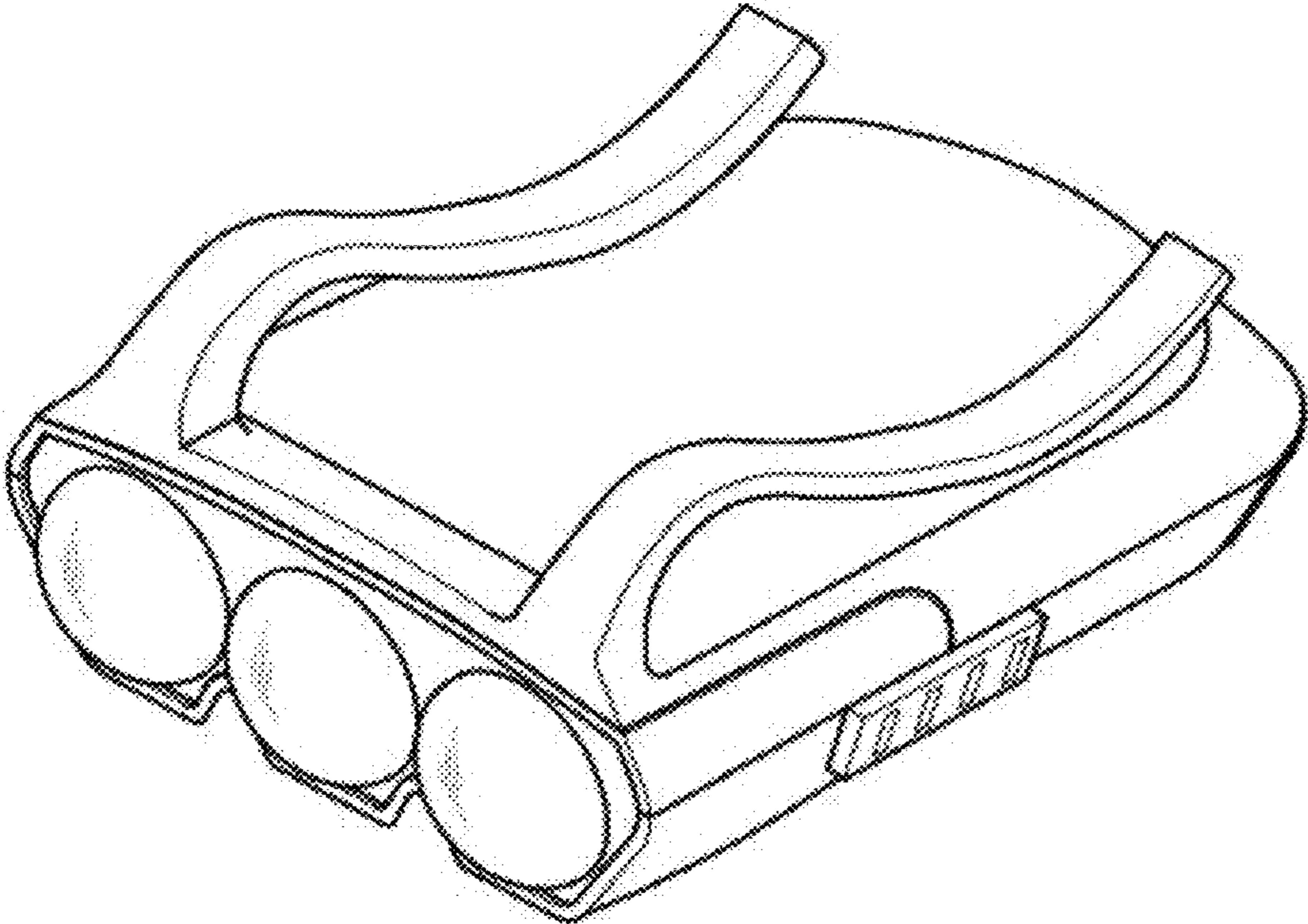


FIG. 2

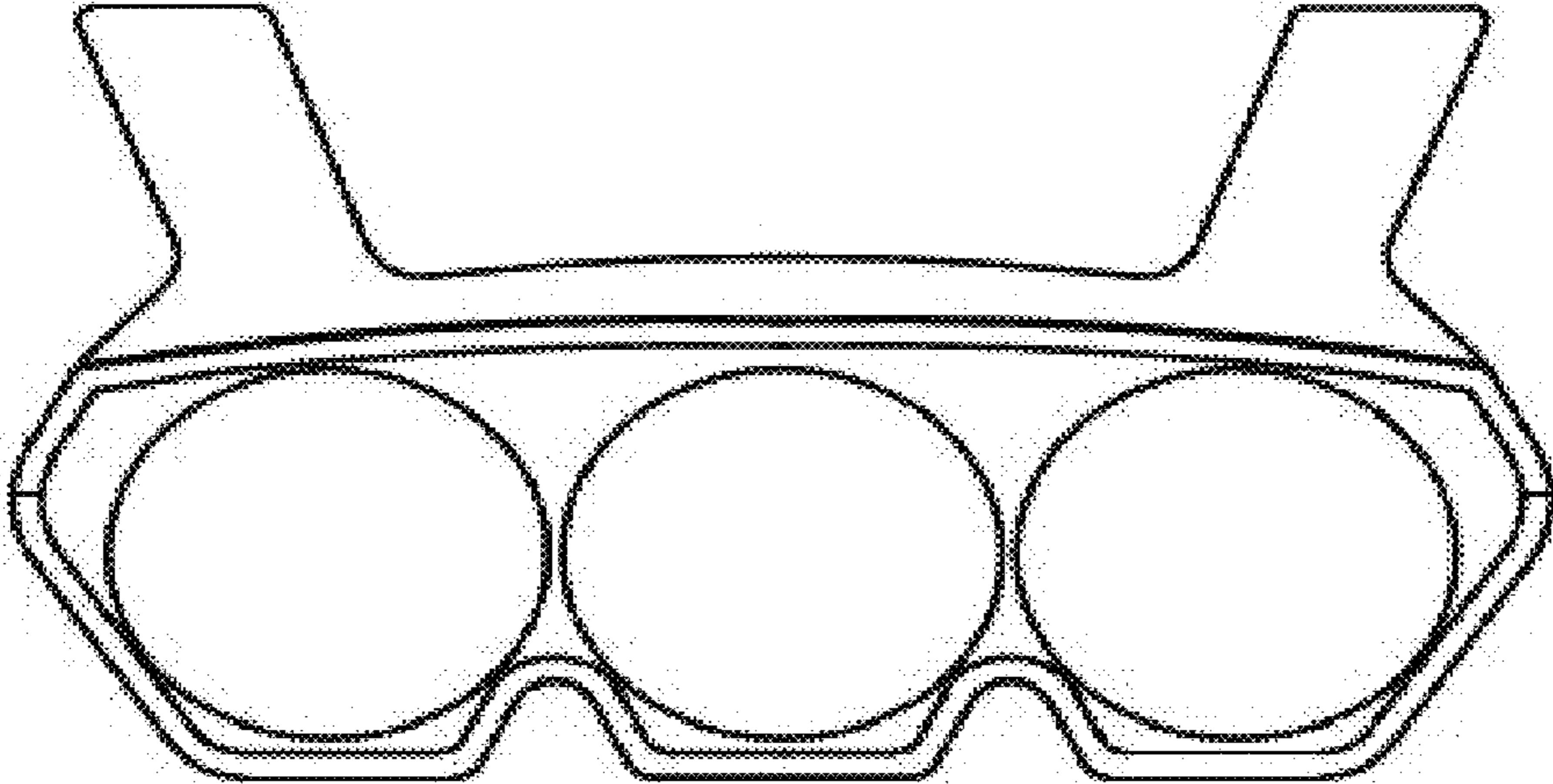


FIG. 3

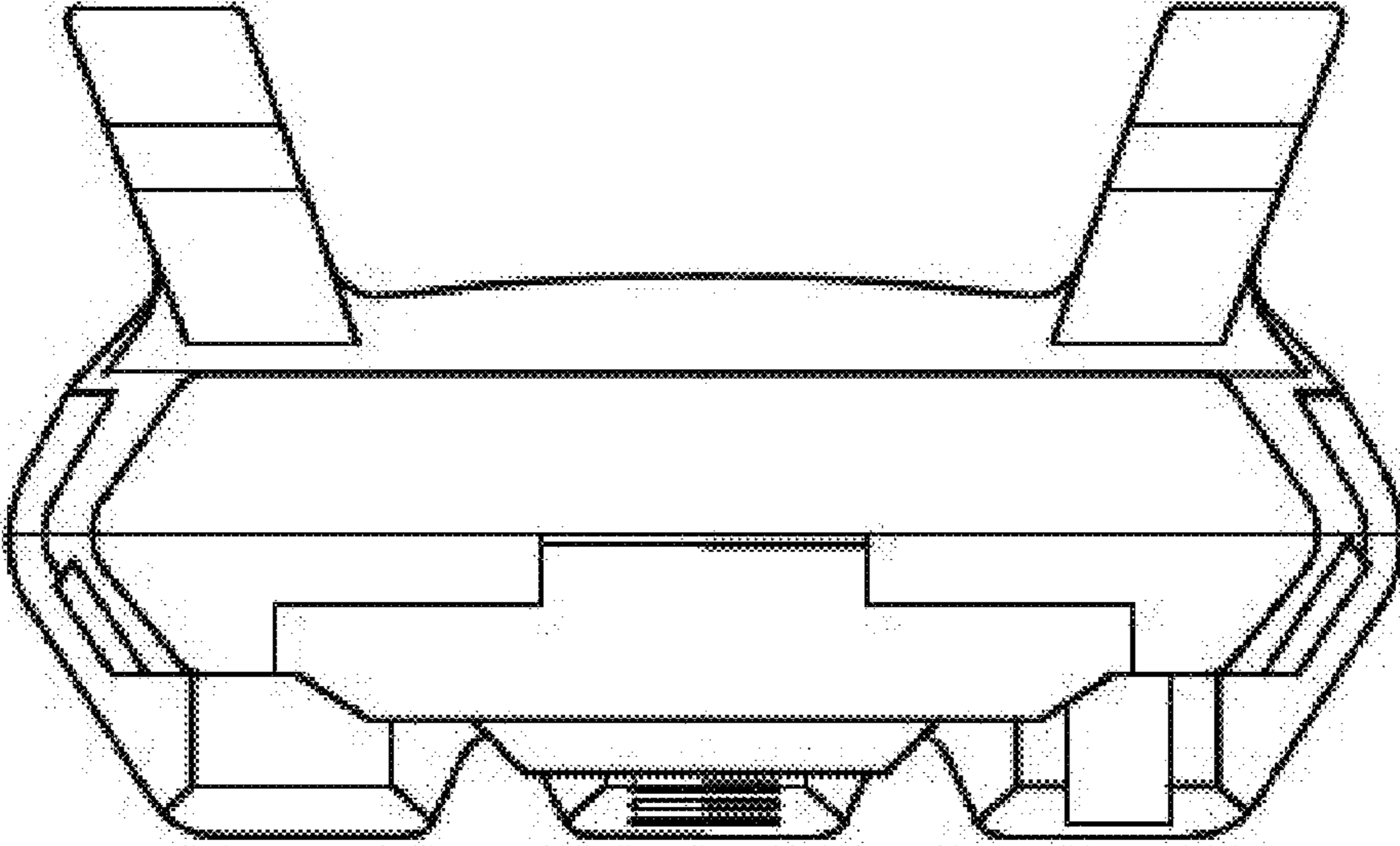


FIG. 4

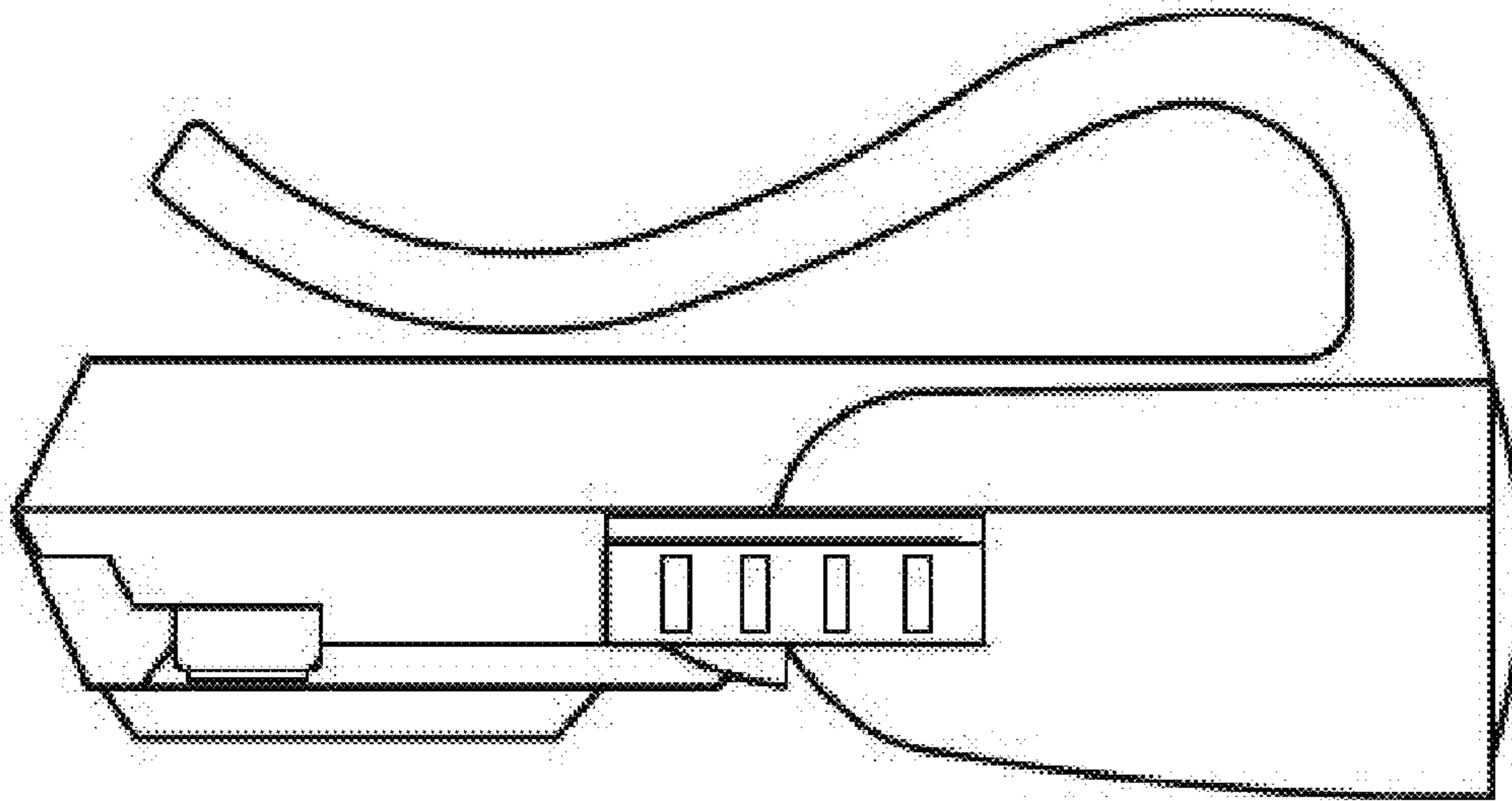


FIG. 5

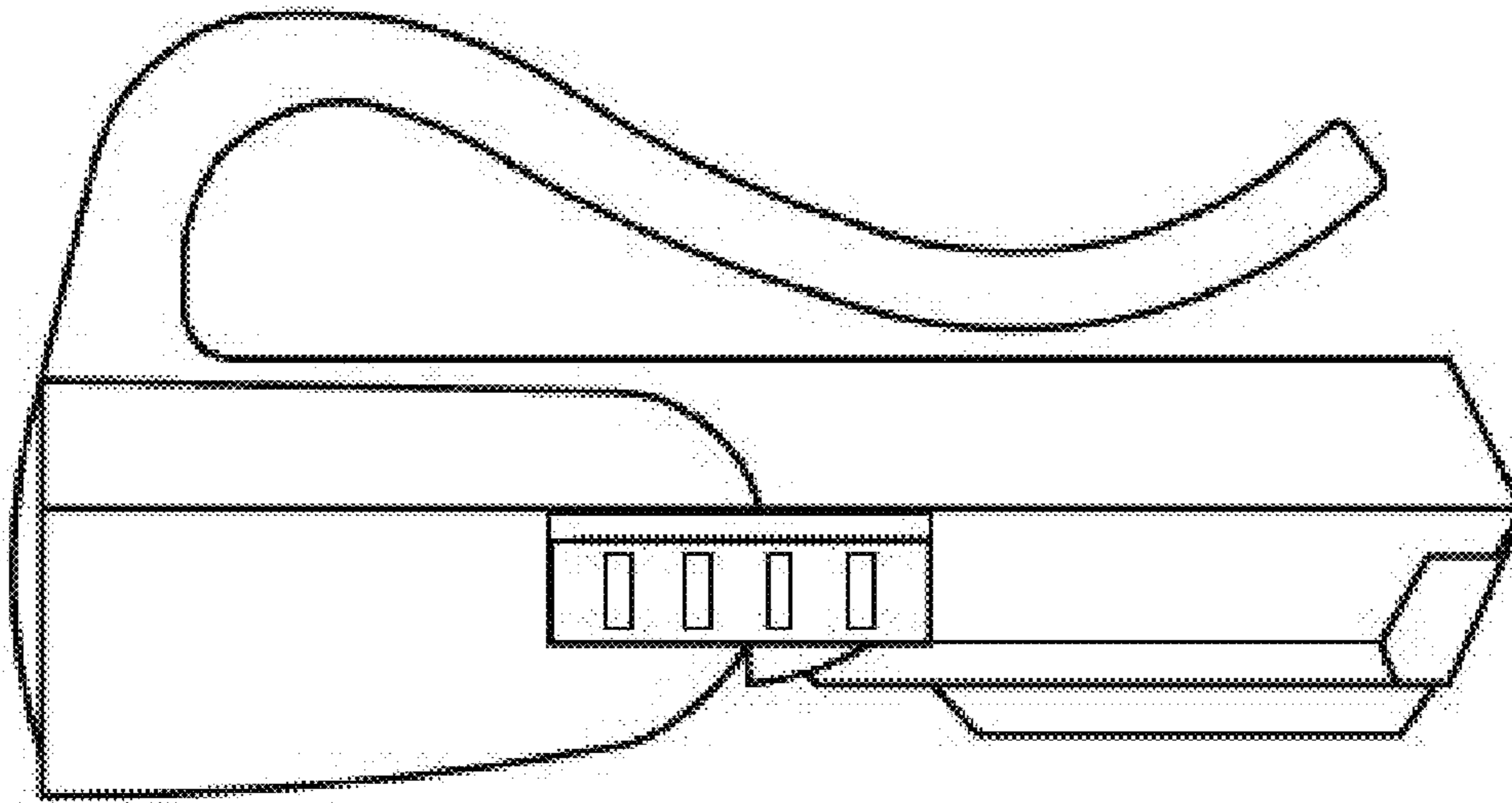


FIG. 6

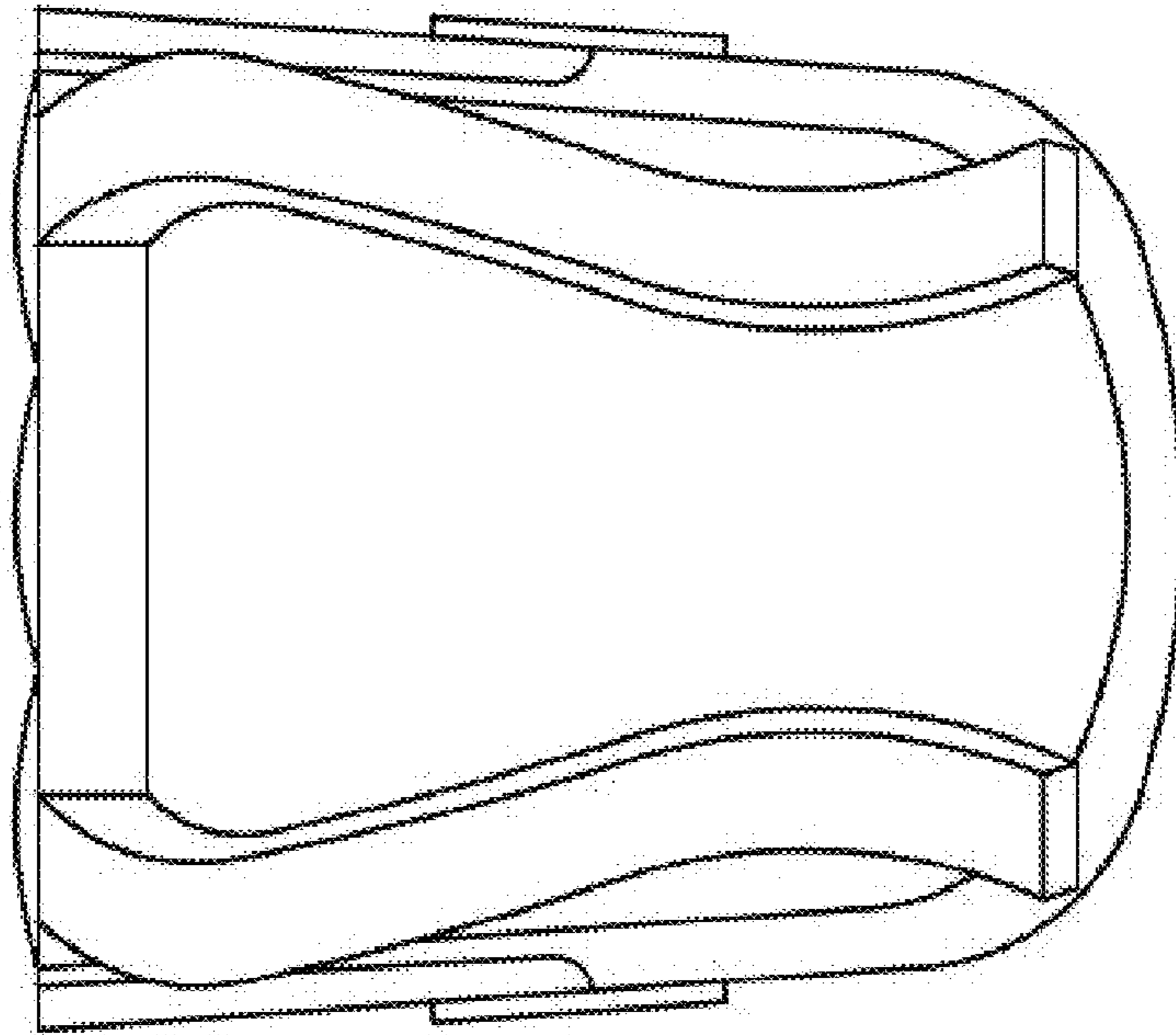


FIG. 7

