



US00D679434S

(12) **United States Design Patent**
Conroy

(10) **Patent No.:** **US D679,434 S**

(45) **Date of Patent:** **** Apr. 2, 2013**

(54) **FOOT-MOUNTABLE LIGHT**

(76) **Inventor:** **Timothy Michael Conroy**, Finleyville,
PA (US)

(**) **Term:** **14 Years**

(21) **Appl. No.:** **29/410,229**

(22) **Filed:** **Jan. 5, 2012**

(51) **LOC (9) Cl.** **26-02**

(52) **U.S. Cl.** **D26/39**

(58) **Field of Classification Search** D26/37,
D26/38, 39, 46, 49; 362/157, 158, 184, 194-208
See application file for complete search history.

(56) **References Cited**

U.S. PATENT DOCUMENTS

2,671,847	A	3/1954	Lerch	
4,788,631	A *	11/1988	Fuller	362/103
5,237,760	A	8/1993	Altman et al.	
5,329,432	A	7/1994	Bland	
D361,143	S *	8/1995	Helvey	D26/39
D362,736	S *	9/1995	Leather	D26/39
5,673,502	A	10/1997	Caterbone	
D404,509	S *	1/1999	Deen	D26/37
D405,551	S *	2/1999	Lynch et al.	D26/37
D411,894	S *	7/1999	Rick	D26/39
6,293,032	B1	9/2001	Waits	
D496,479	S *	9/2004	Ashfield	D26/37
D552,276	S *	10/2007	Shaljjan	D26/37
D566,097	S *	4/2008	Bhavnnani	D14/168
D574,527	S *	8/2008	Squires et al.	D26/37

D578,691	S *	10/2008	Lau	D26/39
D615,226	S *	5/2010	Levine	D26/44
D637,330	S *	5/2011	Lee	D26/39
D656,644	S *	3/2012	Lee	D26/39
8,157,401	B2 *	4/2012	Lau	362/105
D662,239	S *	6/2012	Szymanski	D26/39

* cited by examiner

Primary Examiner — Ian Simmons

Assistant Examiner — Carissa C Fitts

(74) *Attorney, Agent, or Firm* — RG Patent Consulting LLC;
Rachel Gilboy

(57) **CLAIM**

I claim the ornamental design for a foot-mountable light, as shown and described.

DESCRIPTION

FIG. 1 is a front, top and side perspective view of the foot-mountable light embodying the design of the present invention.

FIG. 2 is a front elevational view thereof.

FIG. 3 is a side elevational view thereof.

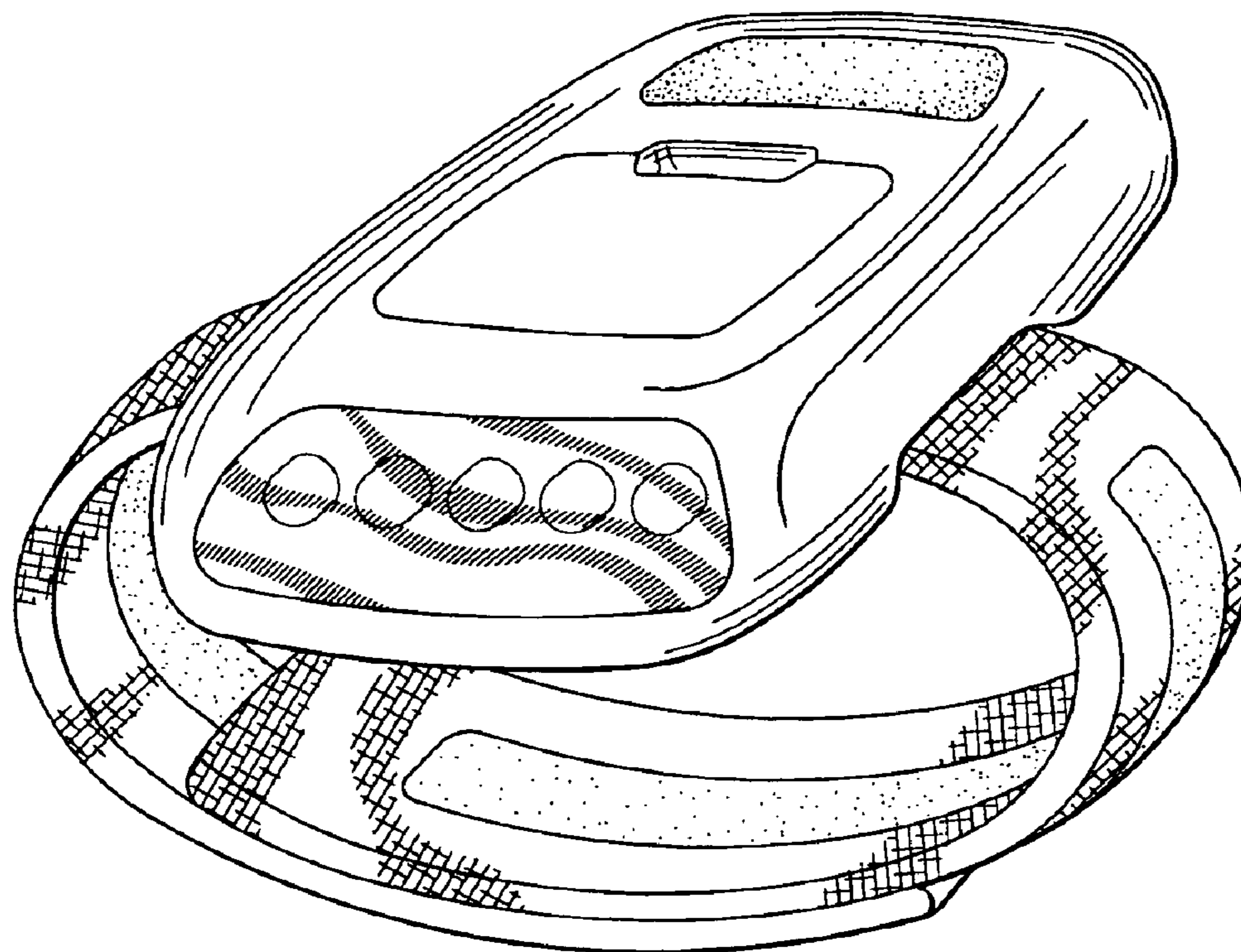
FIG. 4 is a side elevational view thereof.

FIG. 5 is a rear elevational view thereof.

FIG. 6 is a top plan view thereof; and,

FIG. 7 is a bottom view thereof.

1 Claim, 4 Drawing Sheets



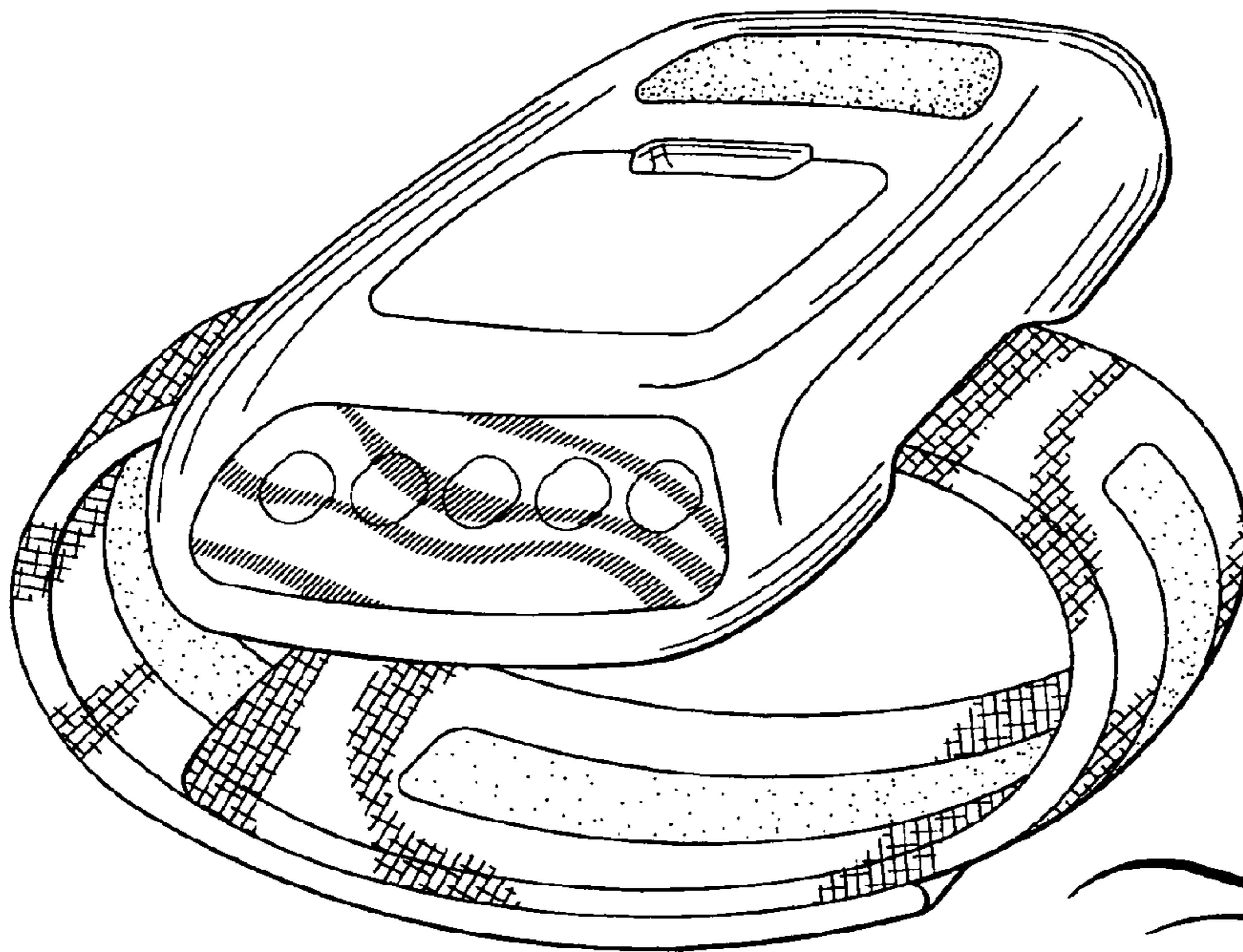


Fig. 1

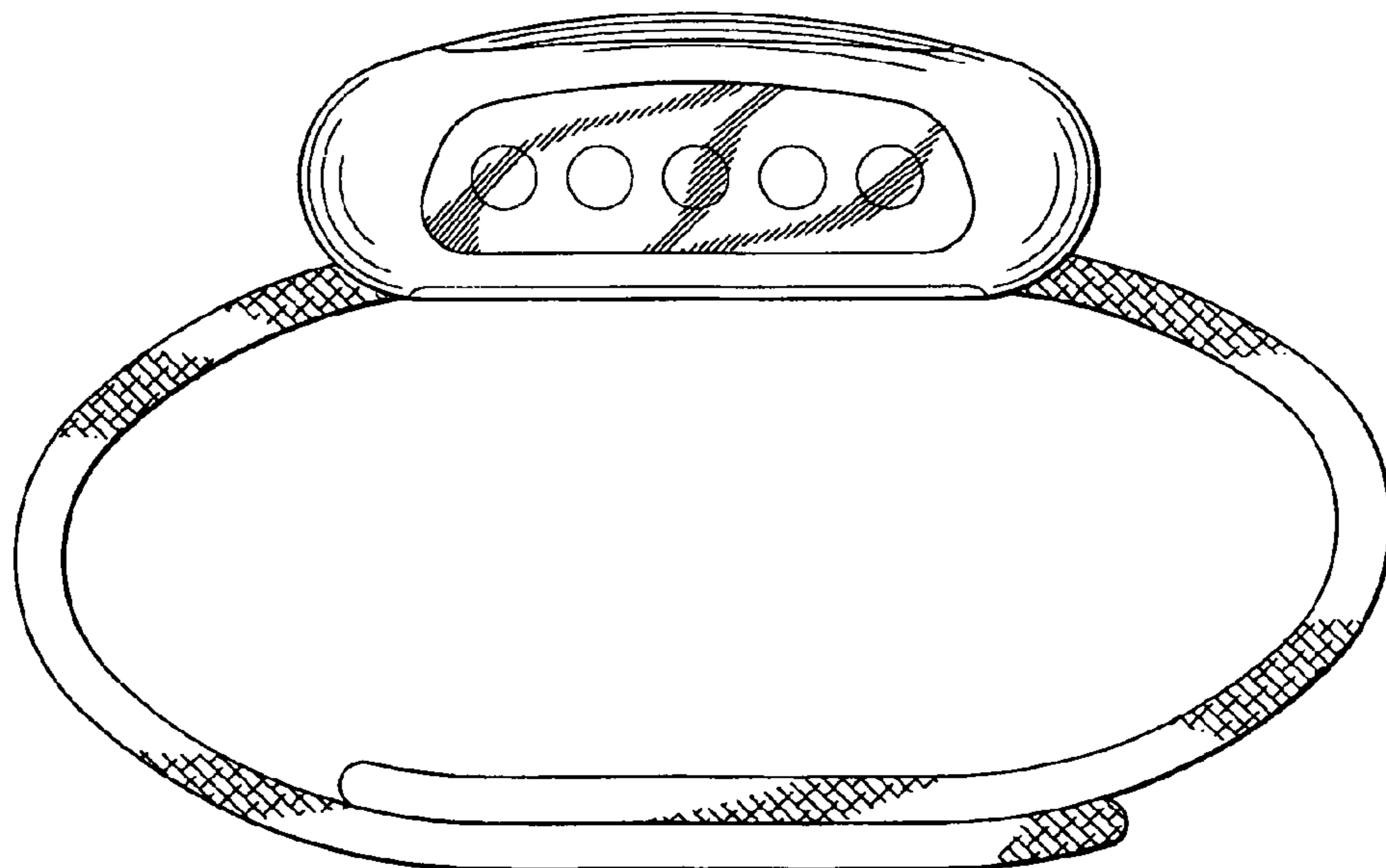
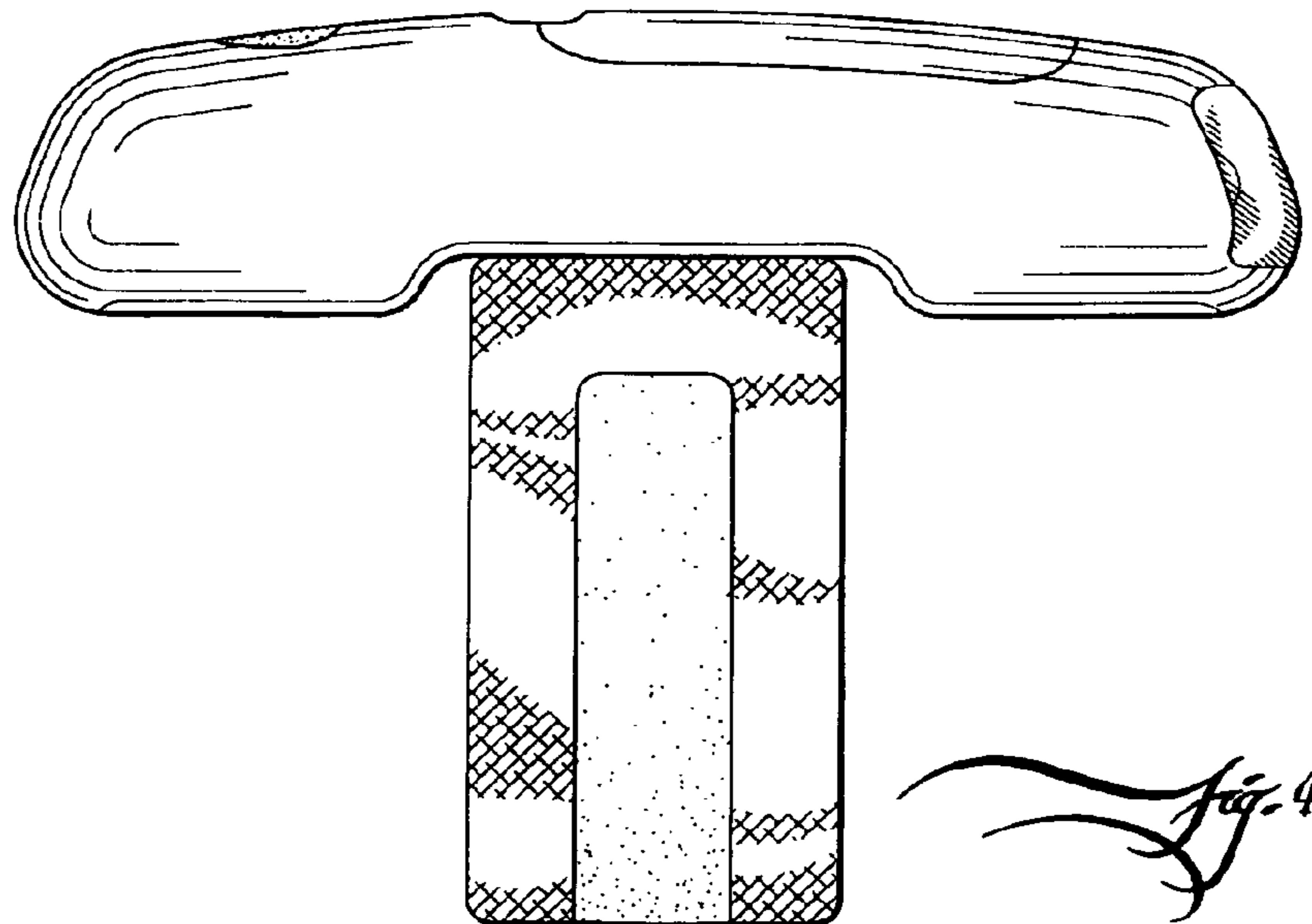
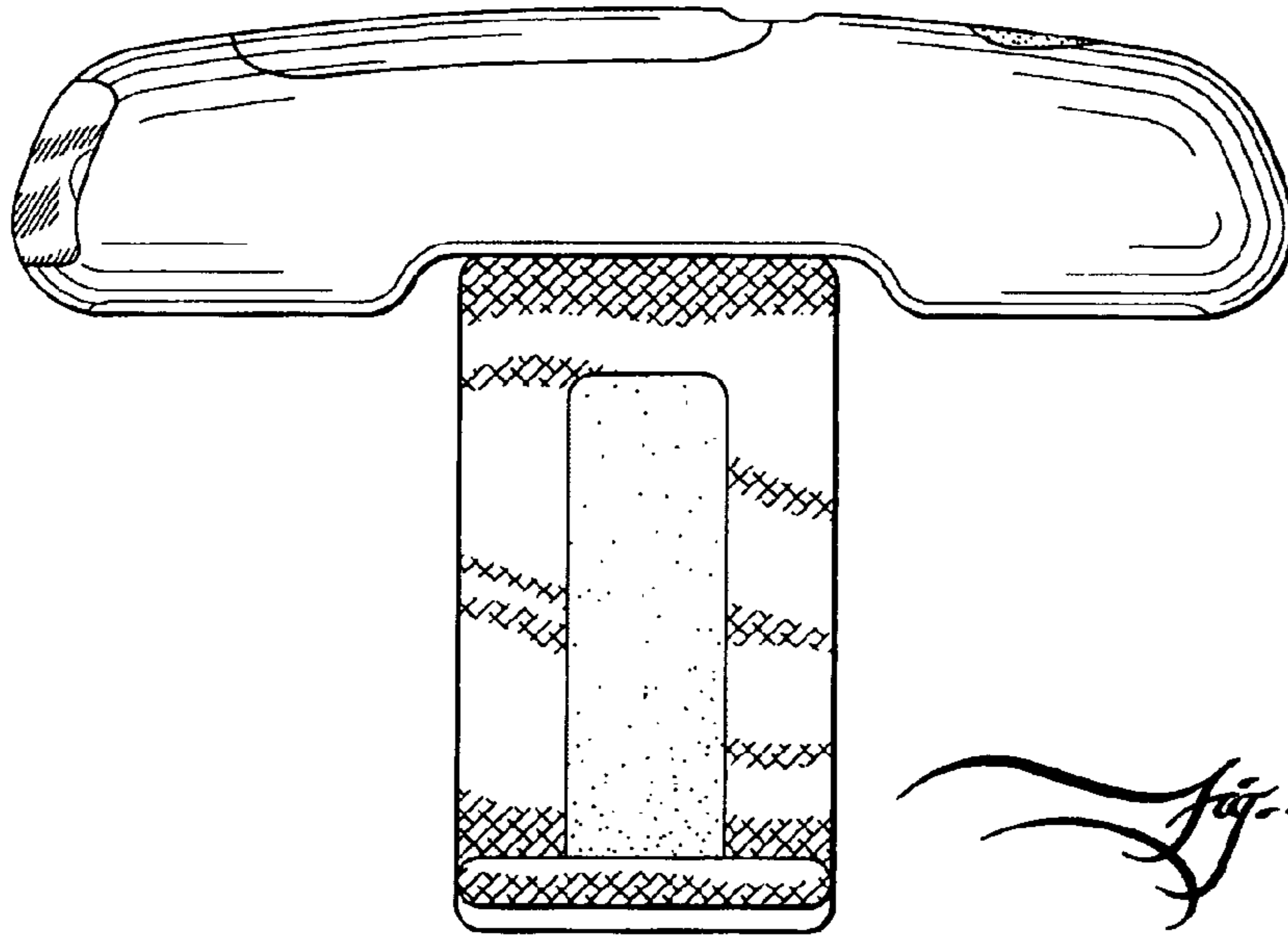
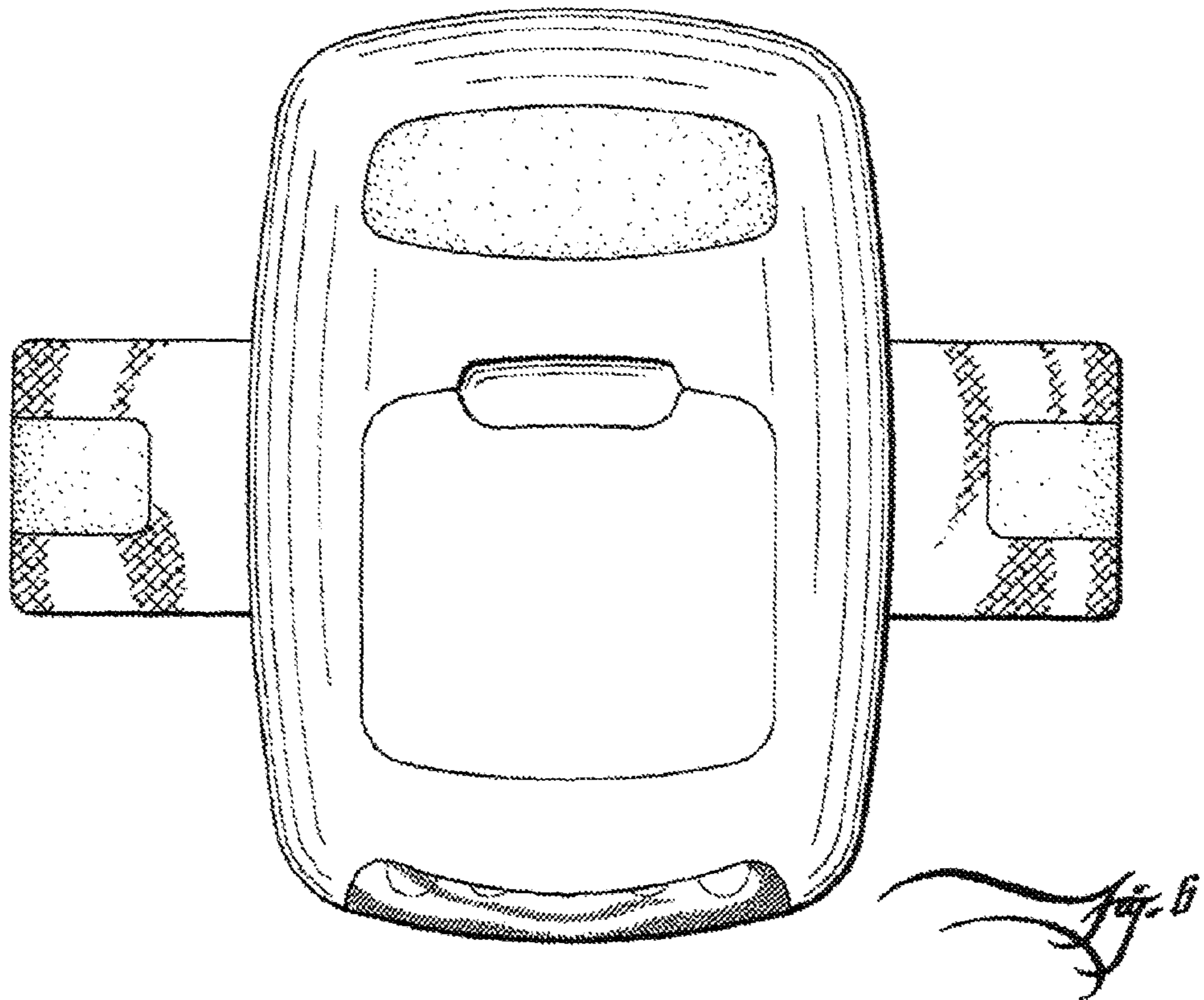
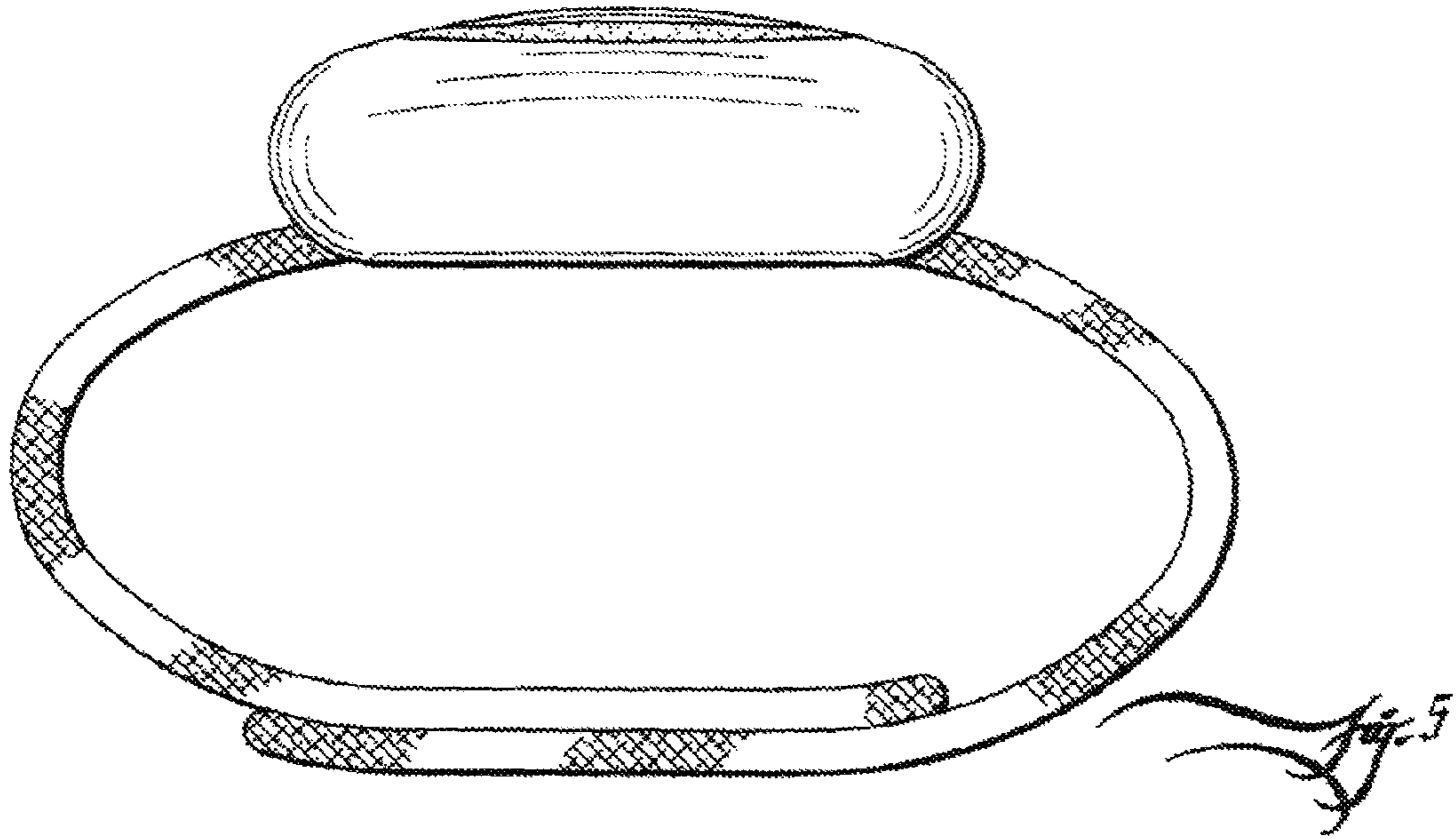


Fig. 2





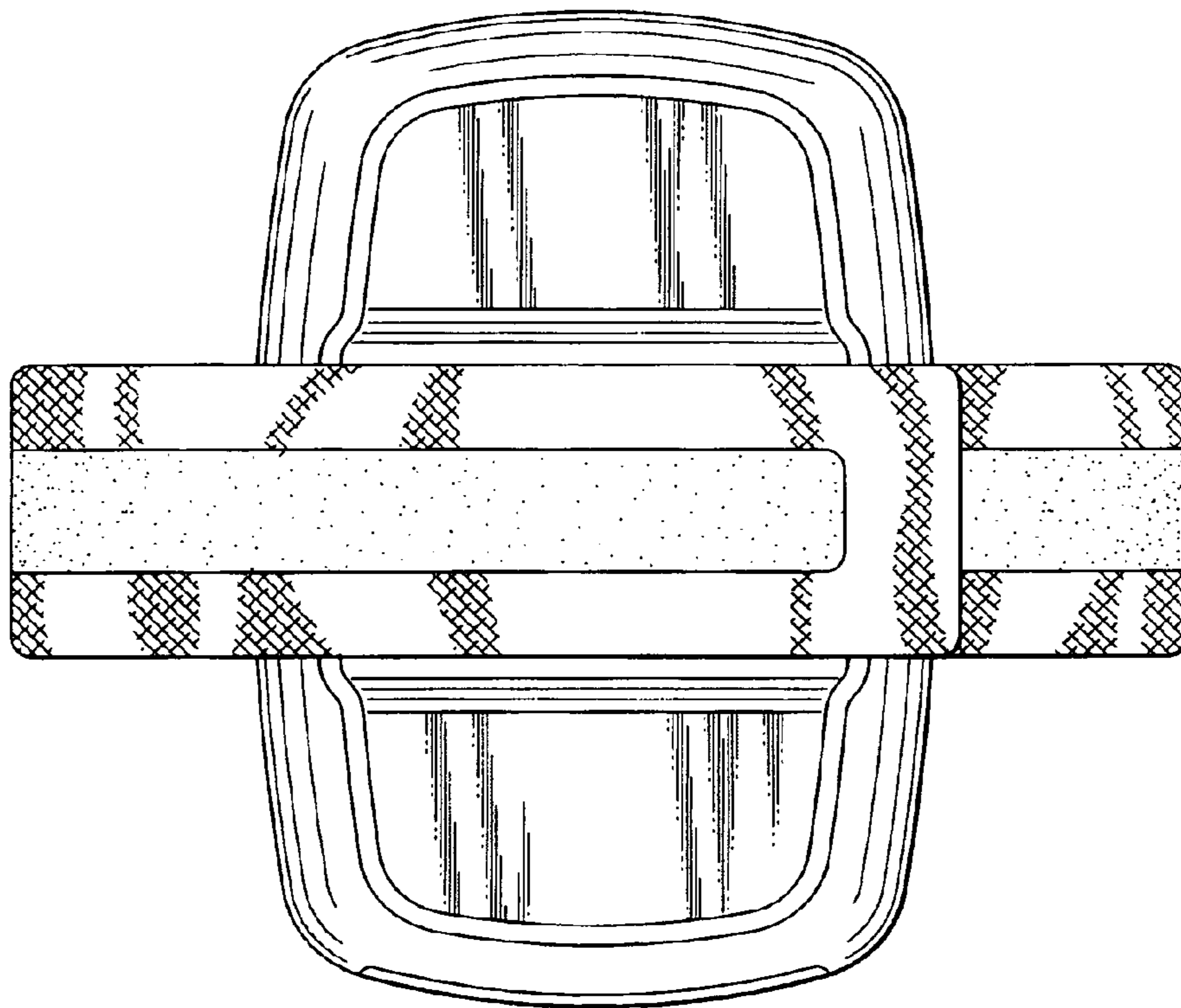


Fig. 7