



US00D679431S

(12) **United States Design Patent**
Frenzel et al.

(10) **Patent No.:** **US D679,431 S**
(45) **Date of Patent:** **** Apr. 2, 2013**

(54) **TAILLIGHT FOR A VEHICLE**

(74) *Attorney, Agent, or Firm* — Crowell & Moring LLP

(75) Inventors: **Klaus Frenzel**, Stuttgart (DE);
Hans-Dieter Futschik, Stuttgart (DE);
Stefan Handt, Stuttgart (DE); **Juergen Wiesen**, Stuttgart (DE)

(57) **CLAIM**

The ornamental design for a taillight for a vehicle, as shown and described.

(73) Assignee: **Daimler AG**, Stuttgart (DE)

DESCRIPTION

(**) Term: **14 Years**

This application contains subject matter related to the following co-pending U.S. design patent applications:

(21) Appl. No.: **29/402,414**

Application Ser. No. 29/402,401, filed herewith and entitled "Vehicle, Toy, and/or Replicas Thereof";

(22) Filed: **Sep. 23, 2011**

Application Ser. No. 29/402,403, filed herewith and entitled "Rear Portion of a Vehicle, Toy, and/or Replicas Thereof";

(30) **Foreign Application Priority Data**

Application Ser. No. 29/402,415, filed herewith and entitled "Taillight for a Vehicle"; and

Mar. 25, 2011 (DE) 402011001598

Application Ser. No. 29/402,416, filed herewith and entitled "Taillight for a Vehicle".

(51) **LOC (9) Cl.** **D26/06**

FIG. 1 is a left perspective view of a first embodiment of a taillight for a vehicle according to our design;

(52) **U.S. Cl.** **D26/28**

FIG. 2 is a front view thereof;

(58) **Field of Classification Search** D26/28-36;

FIG. 3 is a left side view thereof; and,

362/459-468, 475-478, 485-487

FIG. 4 is a top view thereof.

See application file for complete search history.

FIG. 5 is a right front perspective view of the second embodiment of the taillight for a vehicle showing of our new design, with the taillight for a vehicle for the opposite side of the vehicle being depicted in the first embodiment;

(56) **References Cited**

U.S. PATENT DOCUMENTS

D550,380 S * 9/2007 Lin D26/28

D552,769 S * 10/2007 Leclercq D26/28

D565,211 S * 3/2008 Haller et al. D26/28

D602,616 S * 10/2009 Okamura et al. D26/28

D605,793 S * 12/2009 Weil D26/28

FIG. 6 is a front view thereof;

FIG. 7 is a right side view thereof; and,

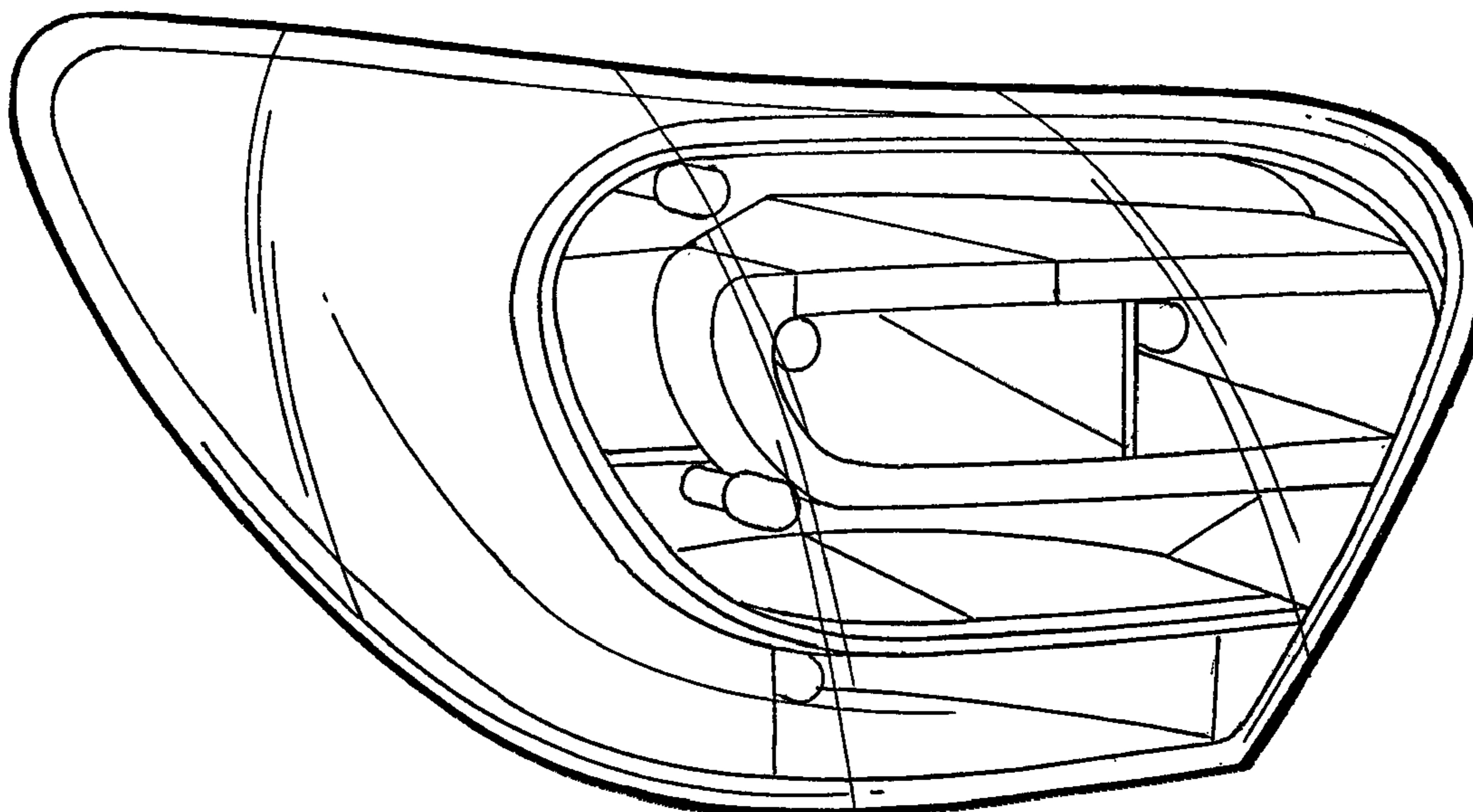
FIG. 8 is a top view thereof.

* cited by examiner

The broken lines are for illustrative purposes only and form no part of the claimed design.

Primary Examiner — Marcus Jackson

1 Claim, 4 Drawing Sheets



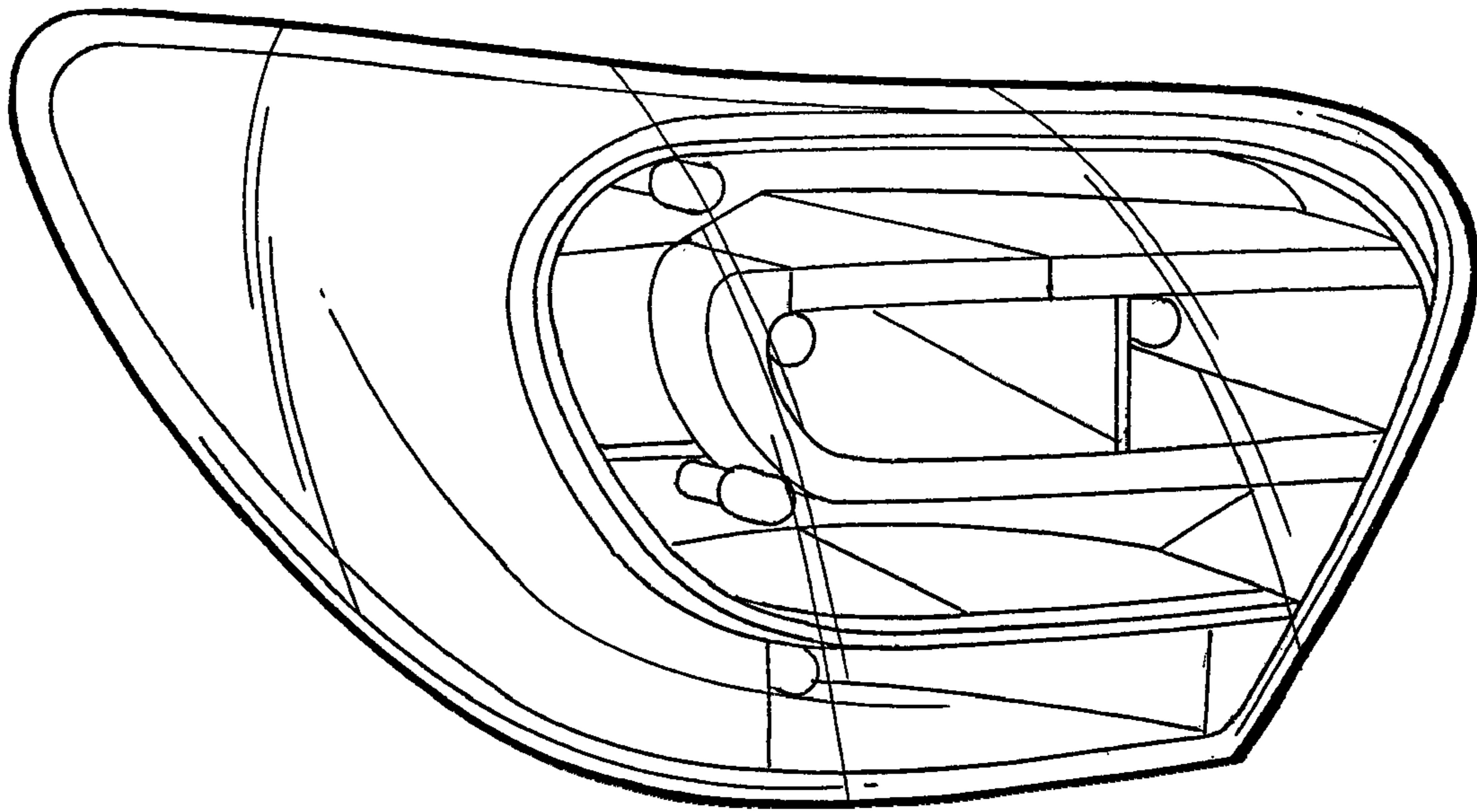


FIG. 1

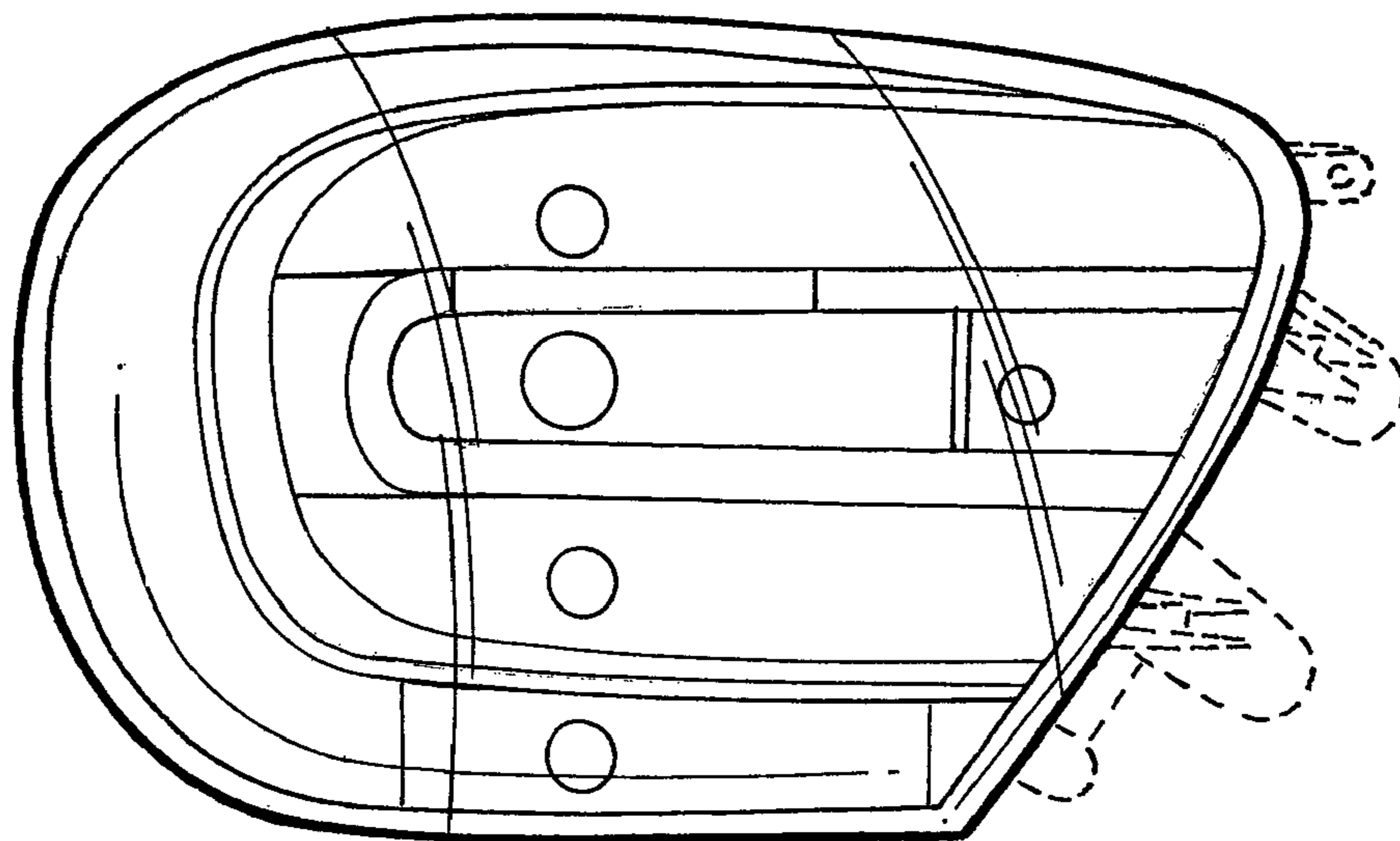


FIG. 2

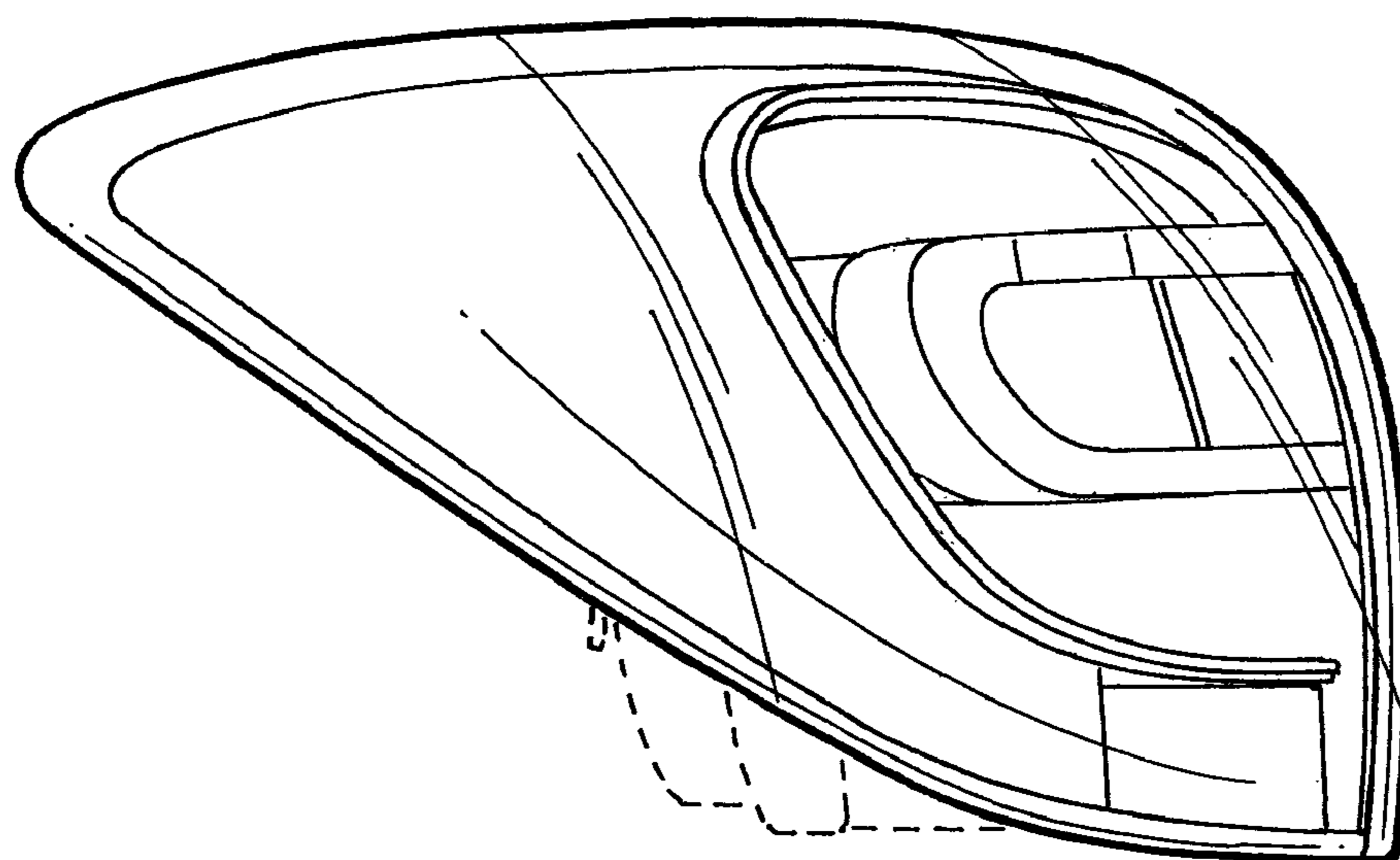


FIG. 3

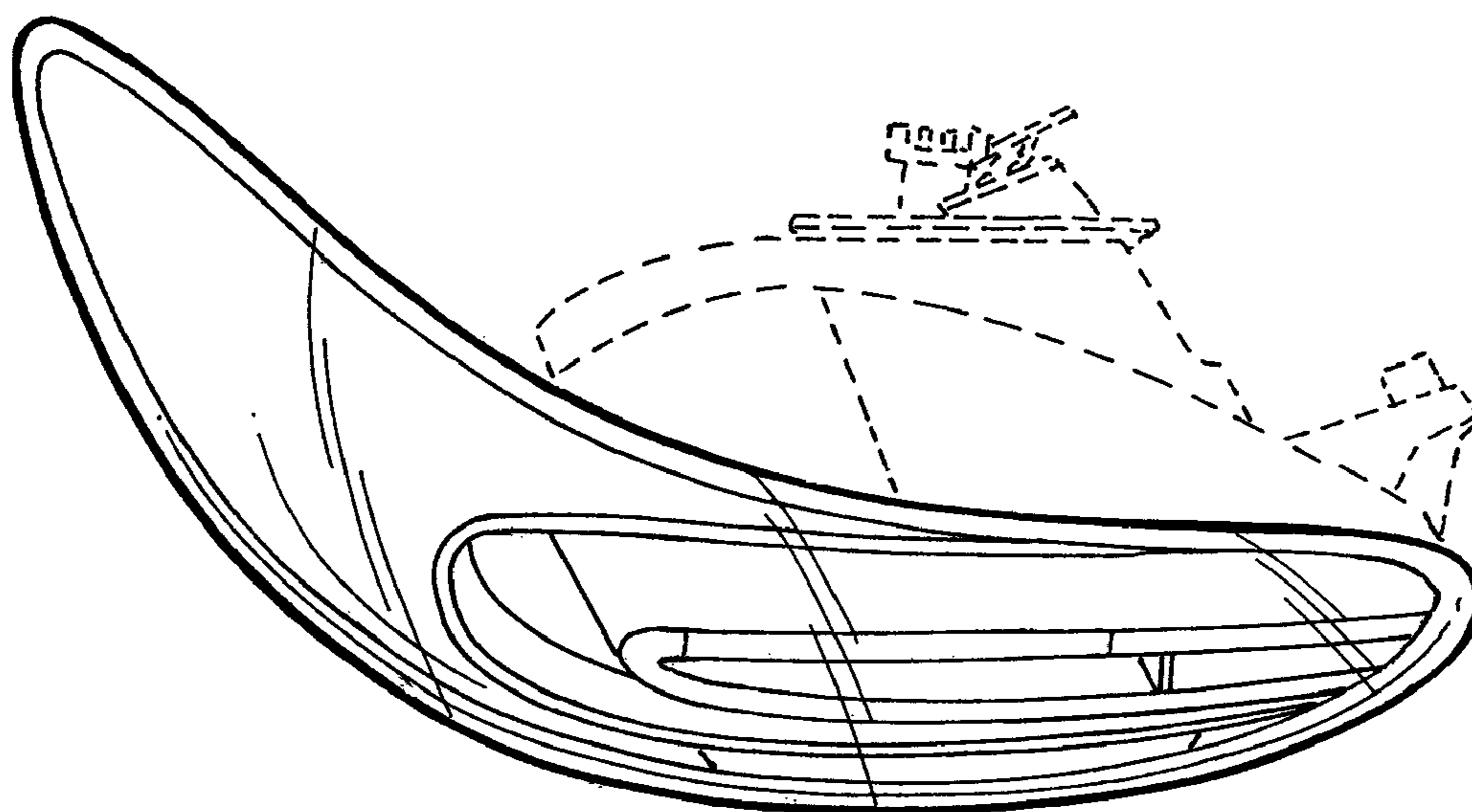


FIG. 4

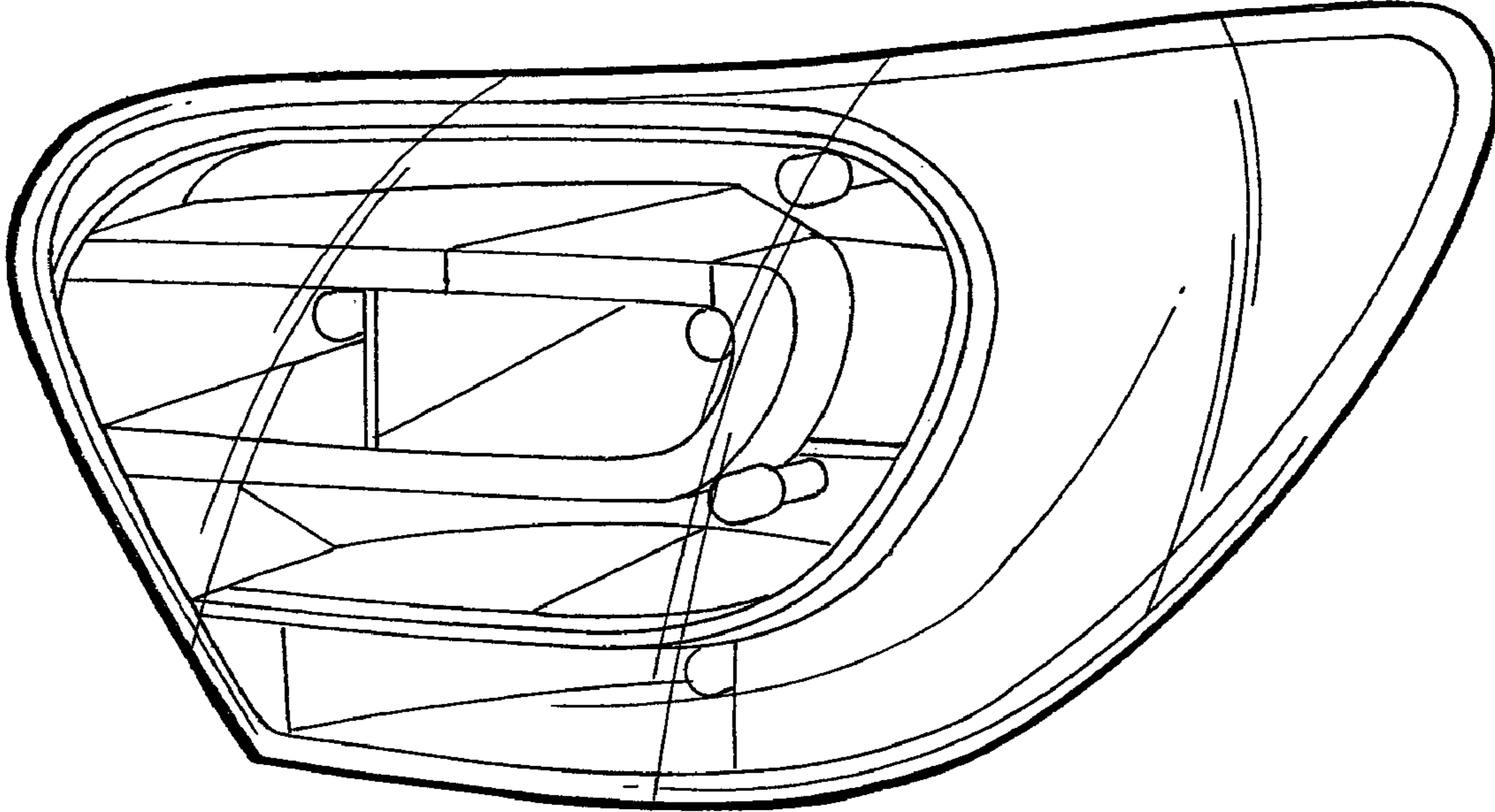


FIG. 5

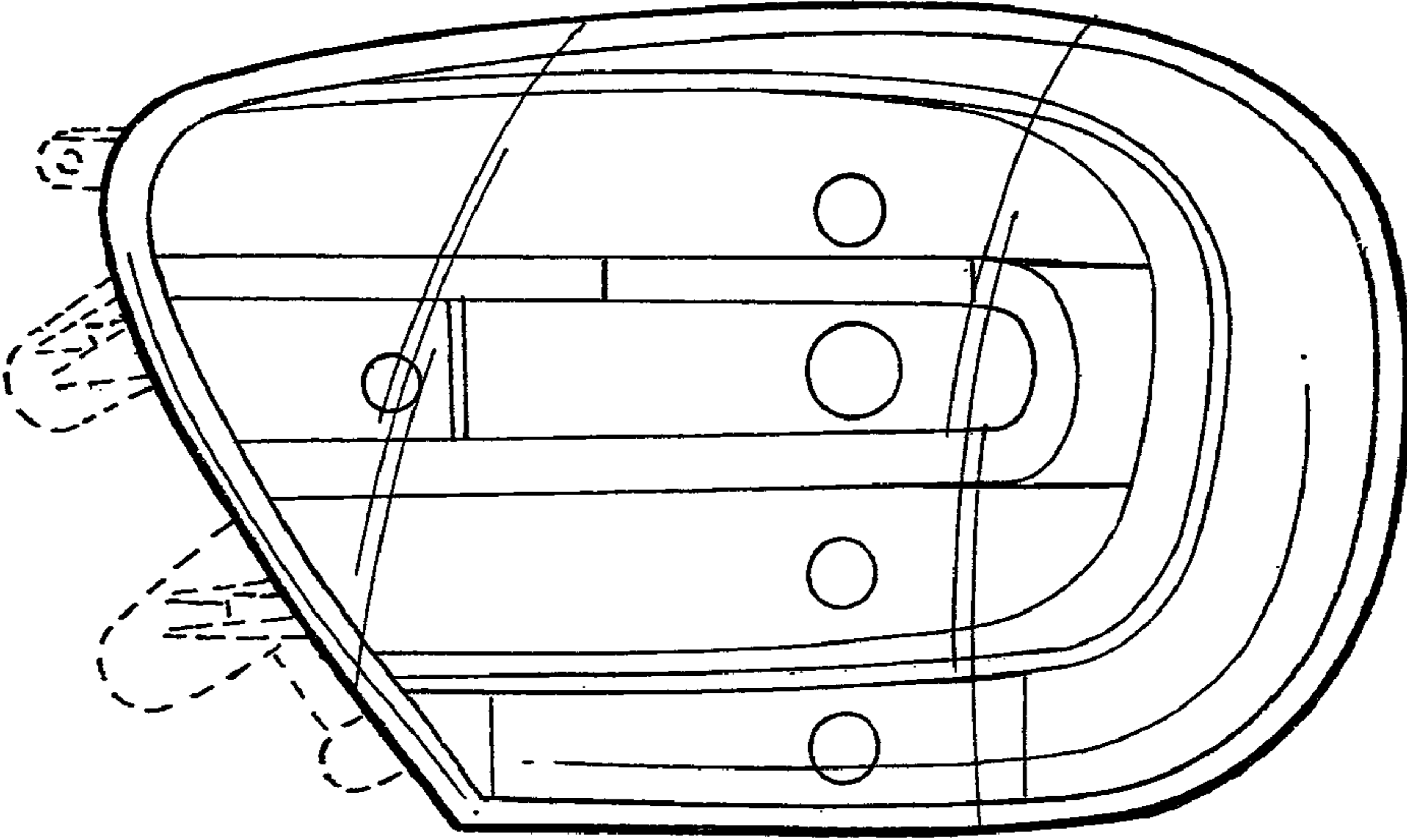


FIG. 6

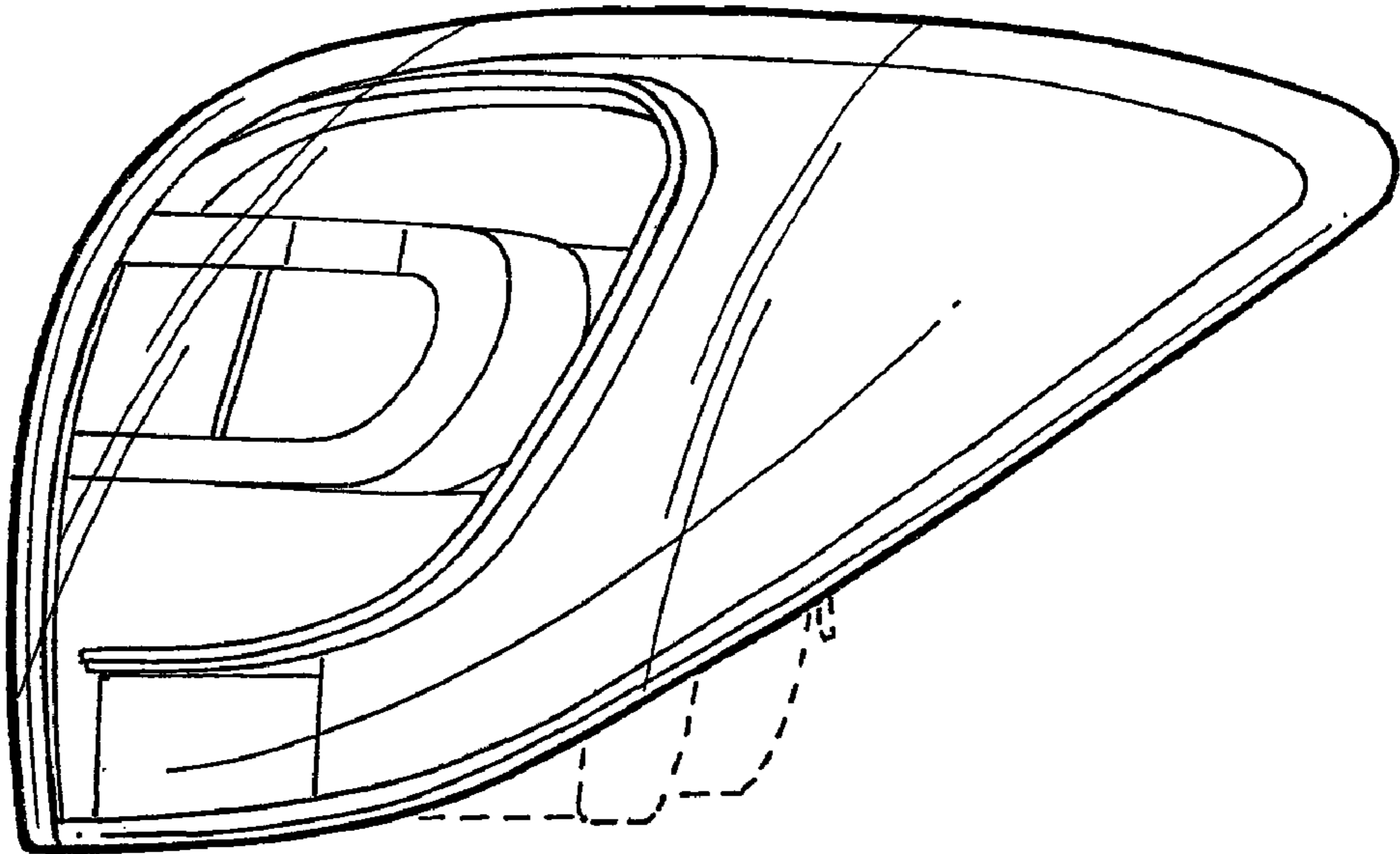


FIG. 7

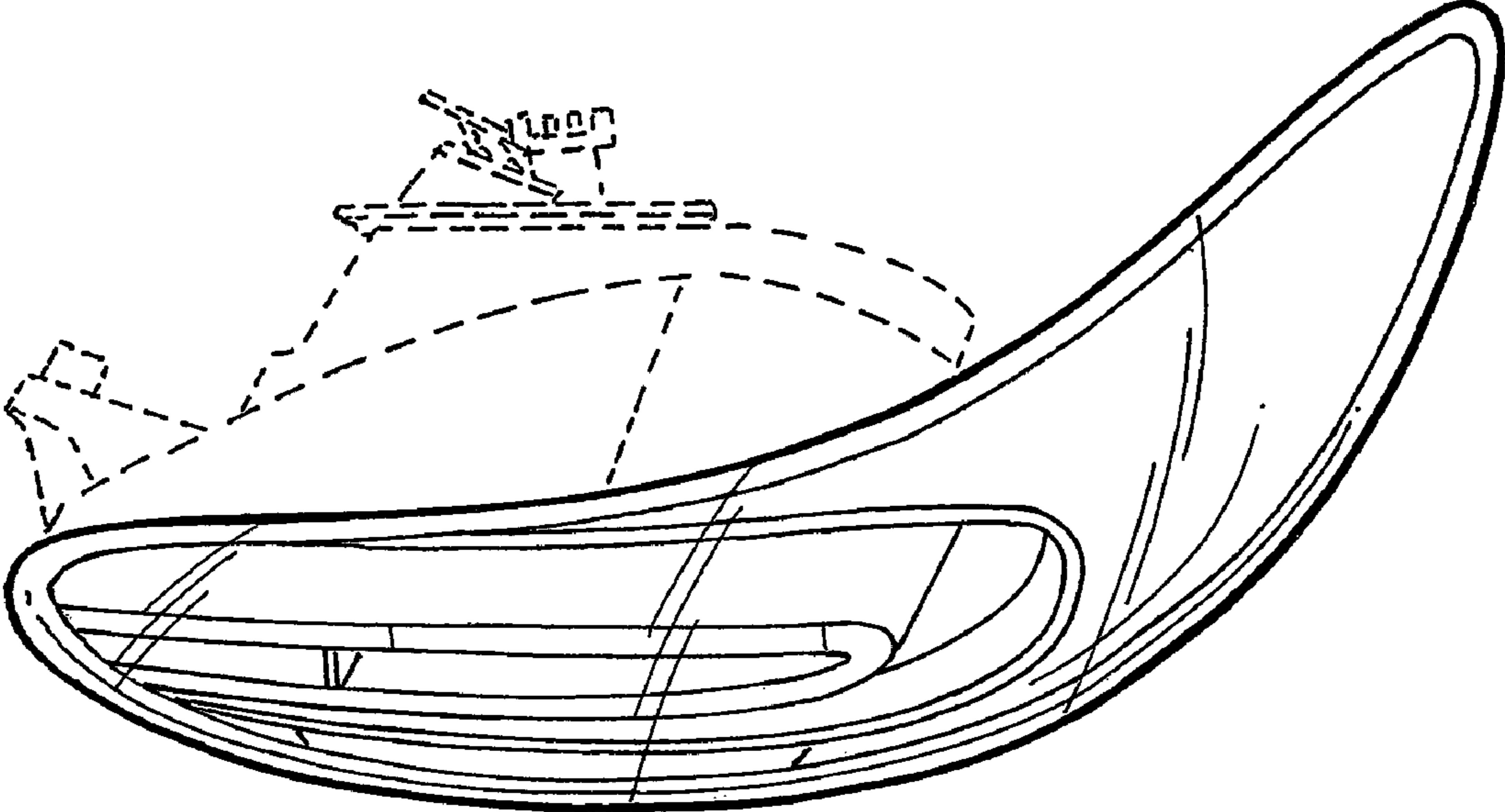


FIG. 8