



US00D679427S

(12) **United States Design Patent**
Voelkerding et al.

(10) **Patent No.:** **US D679,427 S**
(45) **Date of Patent:** **** Apr. 2, 2013**

(54) **FLANGE BEARING FROG CROSSING
EXTENSION CASTING**

Primary Examiner — Doris Clark
(74) *Attorney, Agent, or Firm* — Roger A. Gilcrest

(75) Inventors: **Daniel Voelkerding**, Lakewood, OH
(US); **James A. Remington**, Sheffield
Village, OH (US)

(57) **CLAIM**
The ornamental design for a flange bearing frog crossing
extension casting, as shown and described.

(73) Assignee: **Cleveland Track Material, Inc.**,
Cleveland, OH (US)

(**) Term: **14 Years**

DESCRIPTION

(21) Appl. No.: **29/401,701**

(22) Filed: **Sep. 14, 2011**

FIG. 1 is an upper perspective view of the flange bearing frog
crossing extension casting, the lettering on the upper surface
being for informational purposes and forming no part of the
claimed design;

(51) **LOC (9) Cl.** **25-99**

(52) **U.S. Cl.** **D25/199**

(58) **Field of Classification Search** D25/199;
246/463, 468, 454, 458, 473.1, 452

FIG. 2 is a top plan view of the subject flange bearing frog
crossing extension casting;

See application file for complete search history.

FIG. 3 is a bottom plan view of the subject flange bearing frog
crossing extension casting which is shown in phantom for
context only, and forms no part of the claimed design;

(56) **References Cited**

U.S. PATENT DOCUMENTS

3,910,534	A *	10/1975	Perrot	246/468
4,342,593	A *	8/1982	Larson et al.	420/73
4,362,282	A *	12/1982	Frank	246/468
6,266,866	B1 *	7/2001	Ramirez et al.	29/527.6
D505,737	S *	5/2005	Beranek et al.	D25/199
D510,775	S *	10/2005	Stegmeier	D25/199
6,971,610	B2 *	12/2005	Hein et al.	246/465

FIG. 4 is a left end elevation view of the subject flange bearing
frog crossing extension casting;

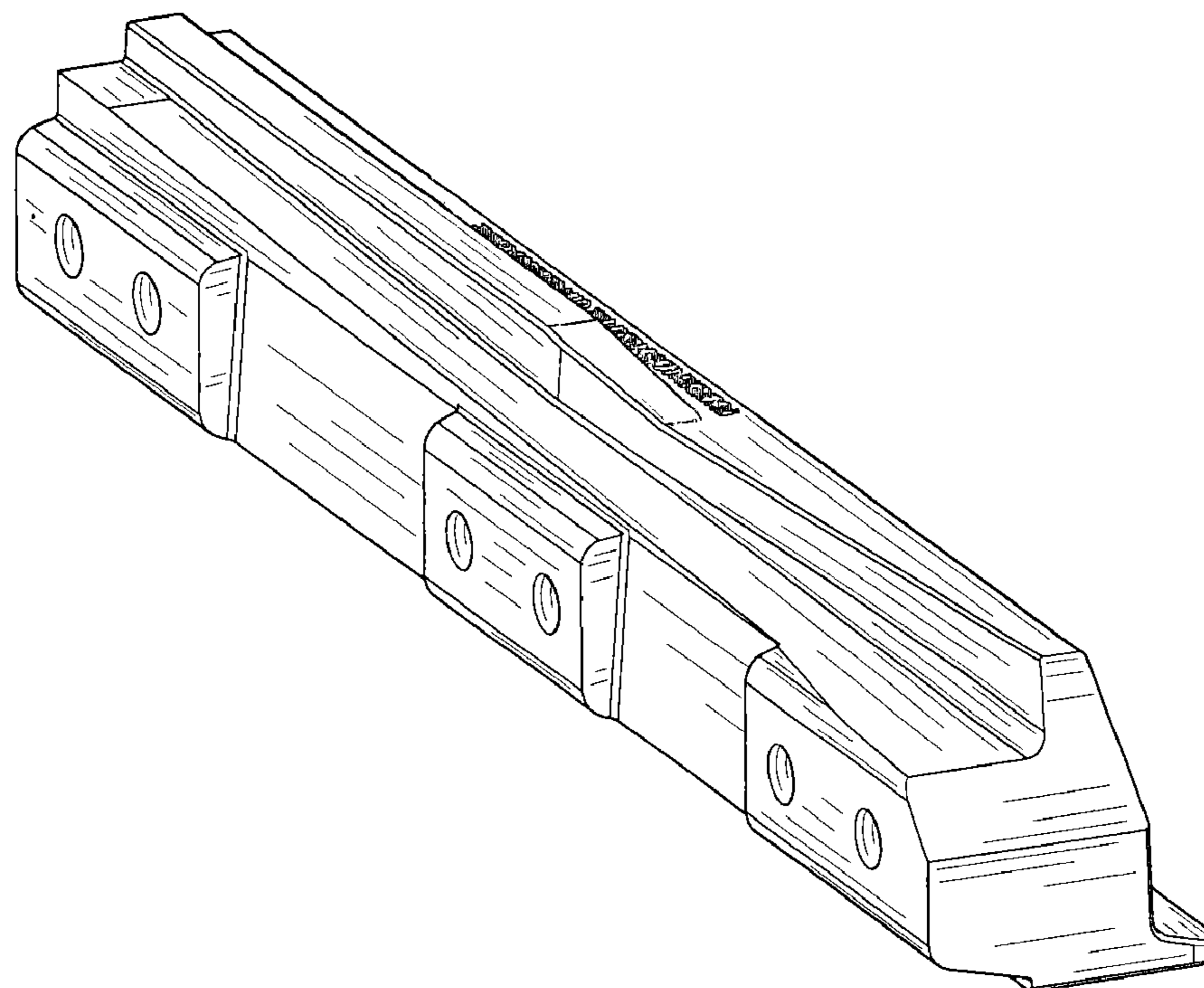
FIG. 5 is a right end elevation view of the subject flange
bearing frog crossing extension casting, opposite said left
end;

* cited by examiner

FIG. 6 is a left side elevation view of the subject flange
bearing frog crossing extension casting; and,

FIG. 7 is a right side elevation view of the subject flange
bearing frog crossing extension casting, opposite said left
side.

1 Claim, 7 Drawing Sheets



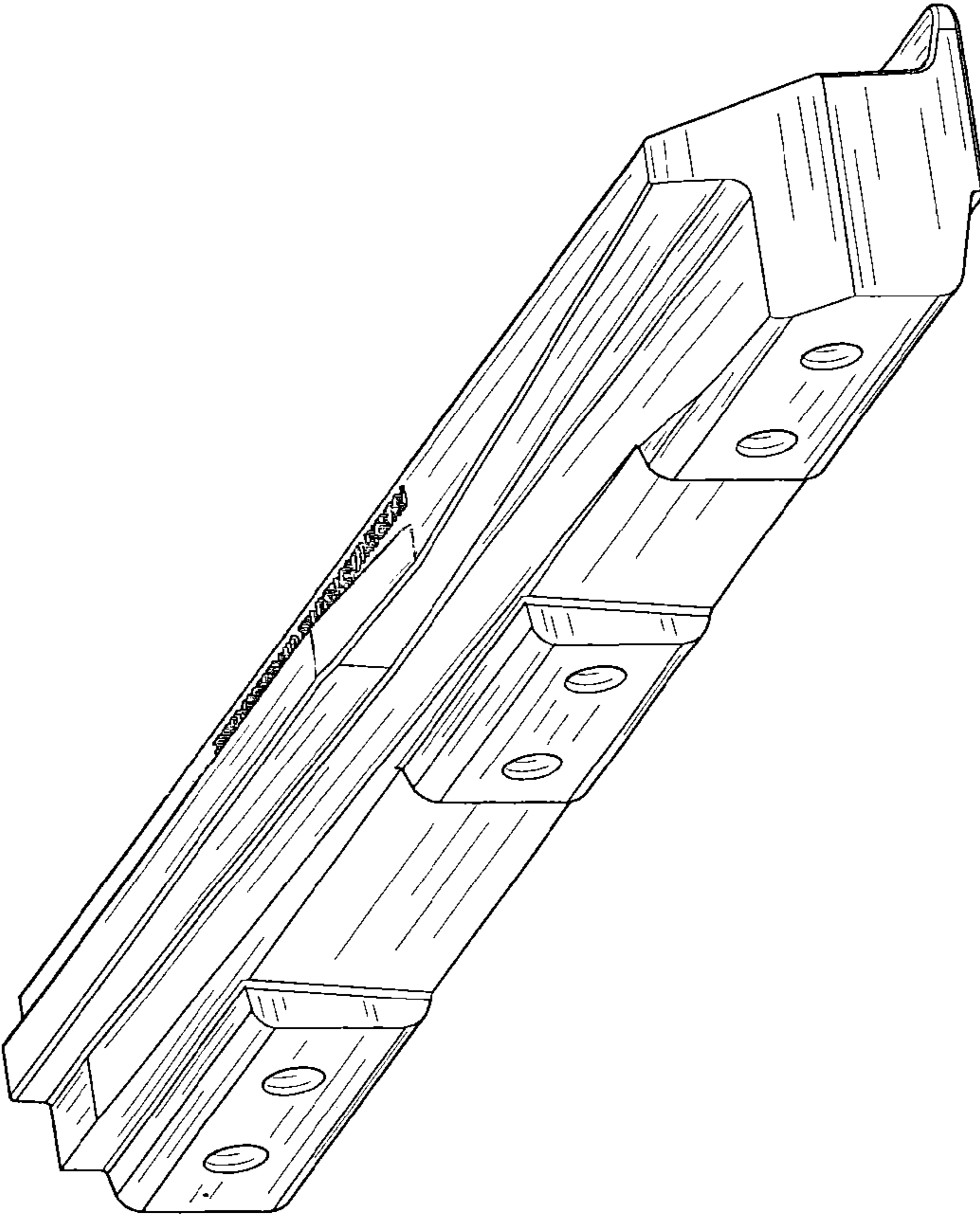


FIG. 1

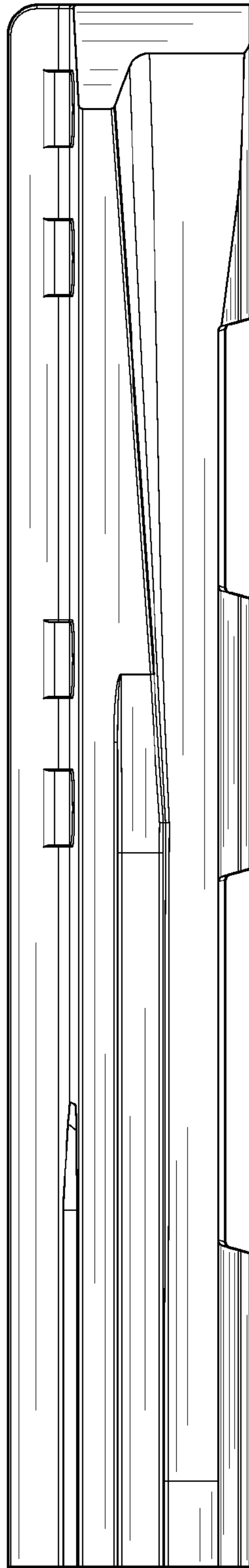


FIG. 2

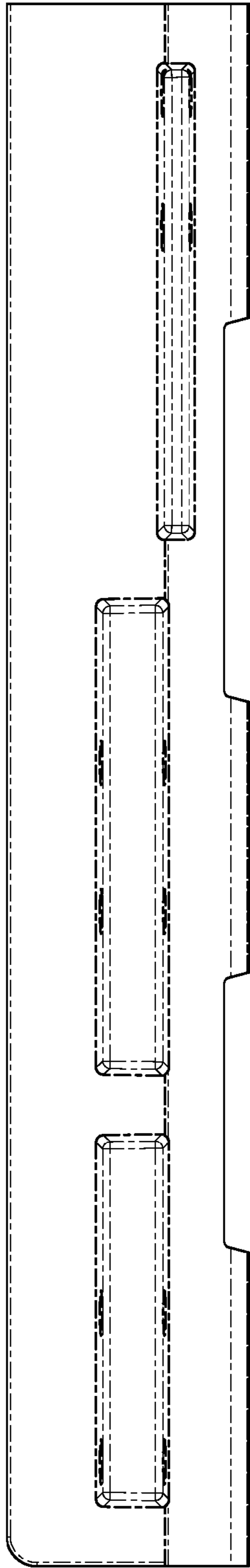


FIG. 3

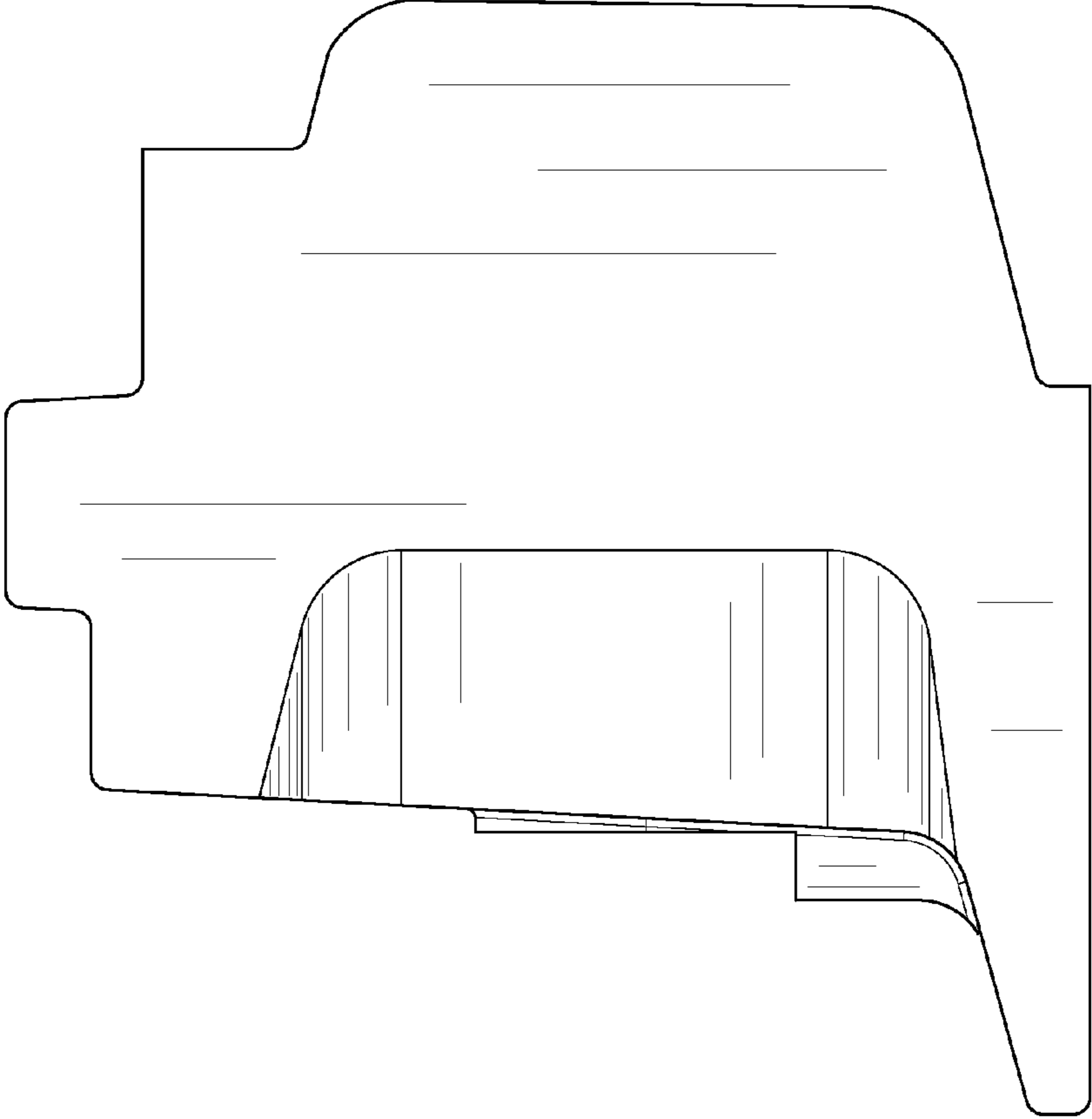


FIG. 4

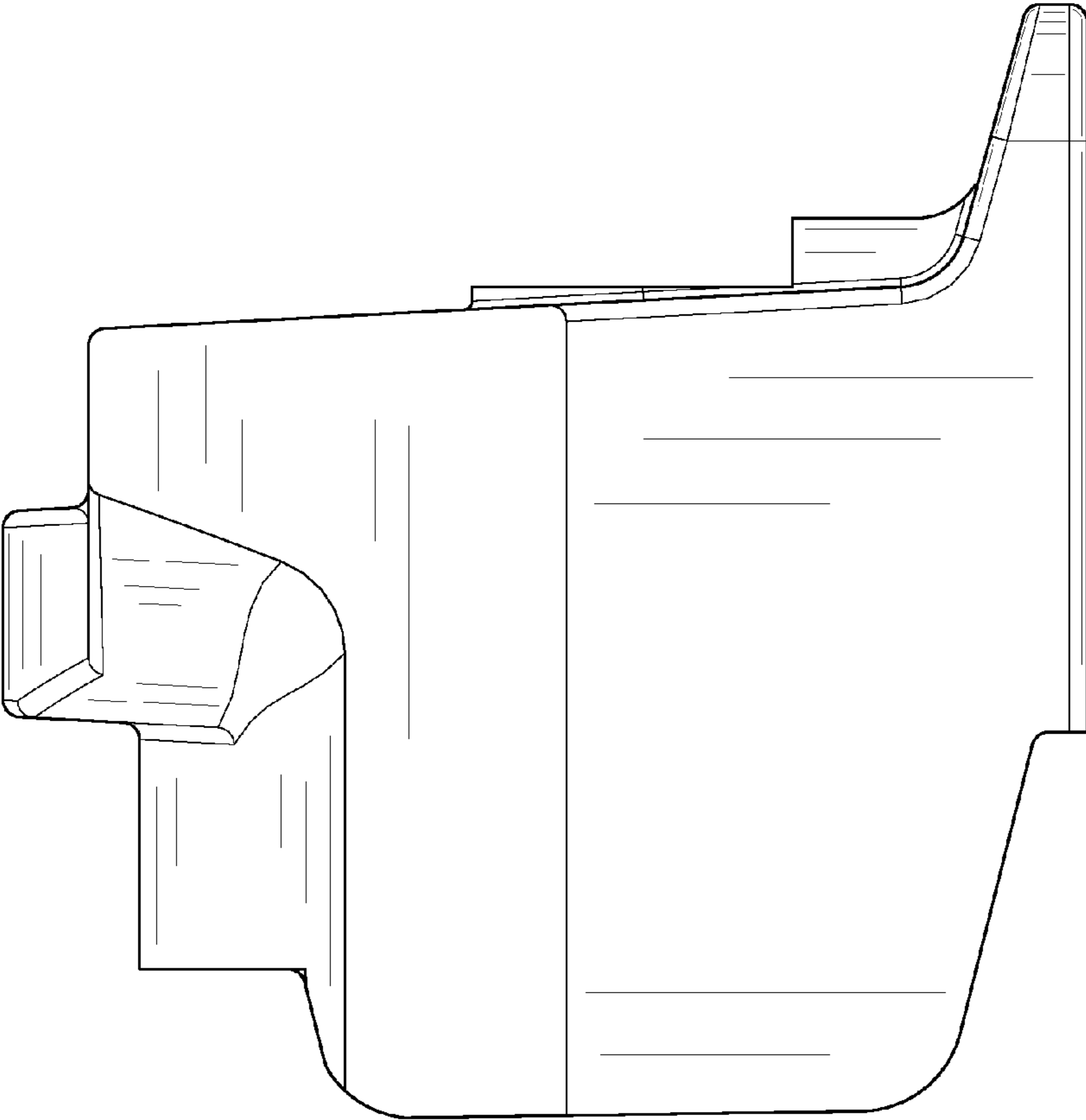


FIG. 5

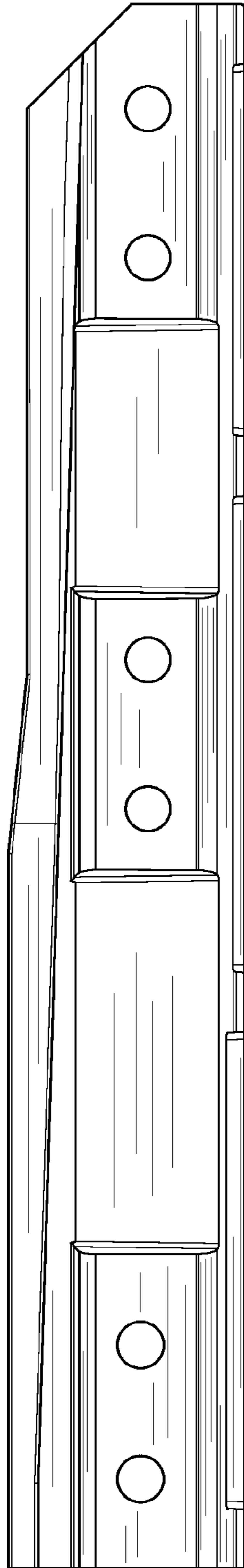


FIG. 6

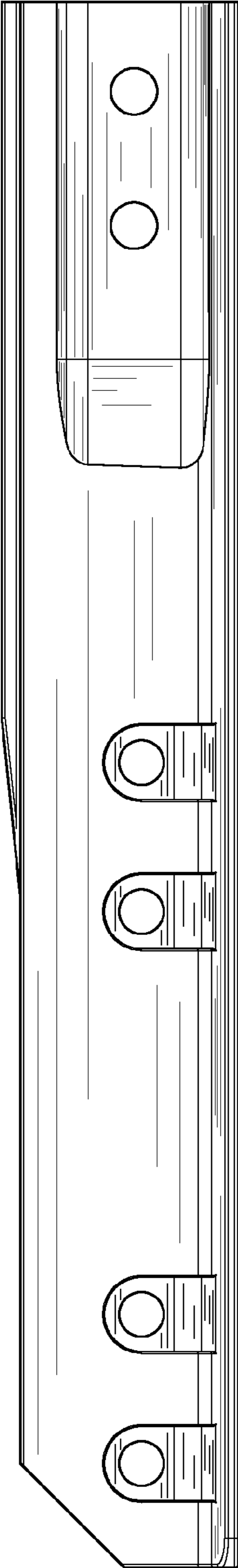


FIG. 7