



US00D679420S

(12) **United States Design Patent**
Nolan et al.

(10) **Patent No.:** **US D679,420 S**
(45) **Date of Patent:** **** Apr. 2, 2013**

- (54) **FINISH GRADE TRIM BASE**
- (75) Inventors: **Patrick Nolan**, Royersford, PA (US);
Michael A. Dotsey, Pottstown, PA (US)
- (73) Assignee: **AZEK Building Products, Inc.**,
Scranton, PA (US)
- (**) Term: **14 Years**
- (21) Appl. No.: **29/410,009**
- (22) Filed: **Jan. 3, 2012**

D404,504	S	*	1/1999	Dickey	D25/125
D421,808	S	*	3/2000	Chaney et al.	D25/125
6,076,320	A	*	6/2000	Butler	52/294
6,085,485	A	*	7/2000	Murdock	52/783.19
D448,865	S	*	10/2001	Manning	D25/141
D482,134	S	*	11/2003	Salvatori	D25/136
7,325,363	B2	*	2/2008	Davis	52/169.12
2002/0018907	A1		2/2002	Zehner		
2002/0059760	A1		5/2002	Heard et al.		
2003/0046891	A1		3/2003	Colada et al.		
2010/0043312	A1		2/2010	Chich et al.		
2010/0058691	A1		3/2010	Mannion		

* cited by examiner

Primary Examiner — Doris Clark

(74) *Attorney, Agent, or Firm* — Buchanan Ingersoll & Rooney, PC

Related U.S. Application Data

- (63) Continuation-in-part of application No. 12/986,483,
filed on Jan. 7, 2011.
- (51) **LOC (9) Cl.** **25-01**
- (52) **U.S. Cl.** **D25/125; D25/136; D25/141**
- (58) **Field of Classification Search** D25/125,
D25/136, 141; 52/287.1, 309.14, 312, 316,
52/293.1, 800.11, 212, DIG. 3, 169.12, 716.1,
52/588.1, 536
See application file for complete search history.

(57) **CLAIM**

The ornamental design for a finish grade trim base, as shown and described.

DESCRIPTION

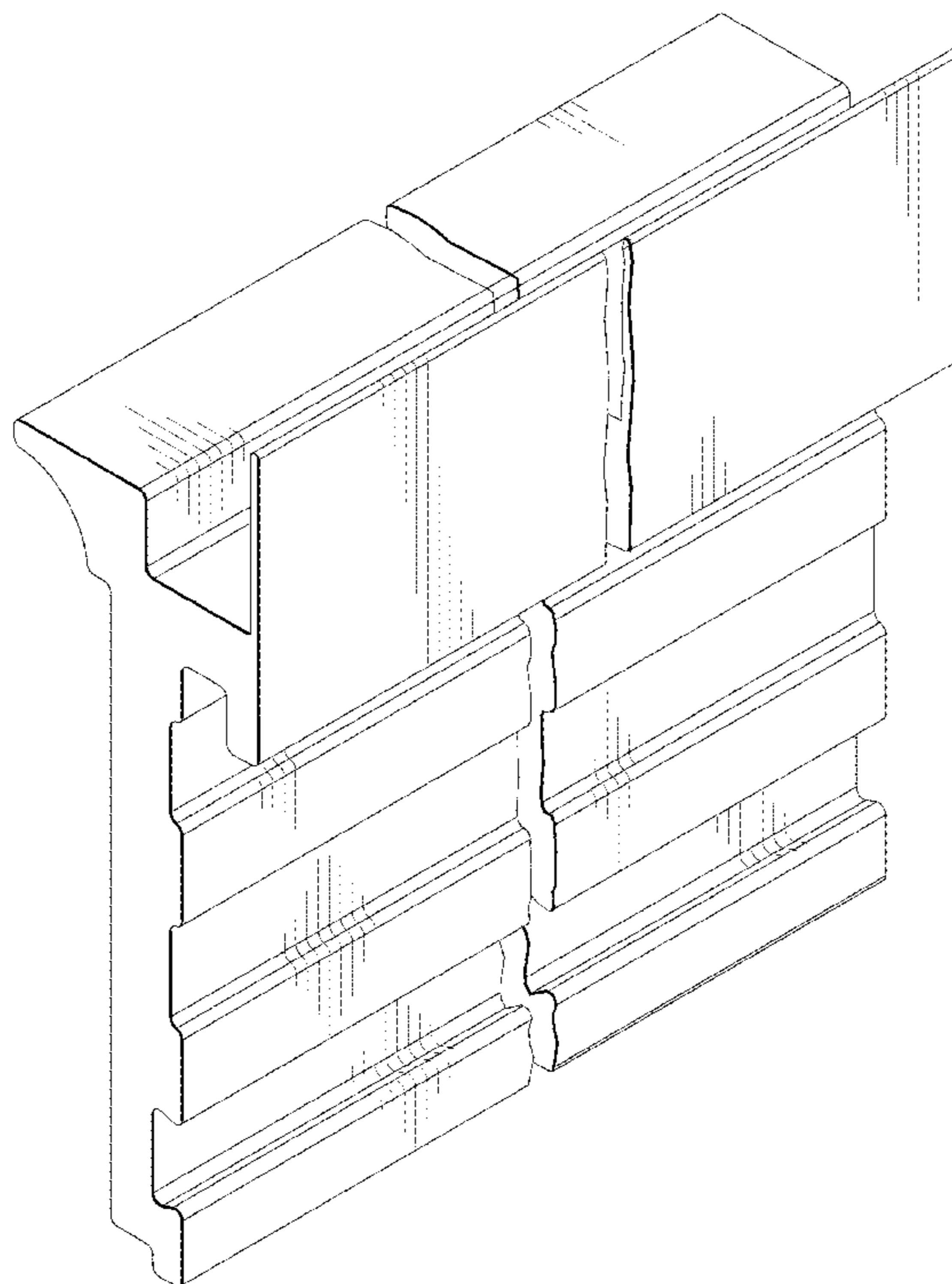
FIG. 1 is a rear perspective view of our finish grade trim base; FIG. 2 is a right side view thereof, the left side view being a mirror image thereof; FIG. 3 is a front view thereof; FIG. 4 is a rear view thereof; FIG. 5 is a top view thereof; and, FIG. 6 is a bottom view thereof.
In FIGS. 1 and 3 through 6 the finish grade trim base is cut to indicate indeterminate length.

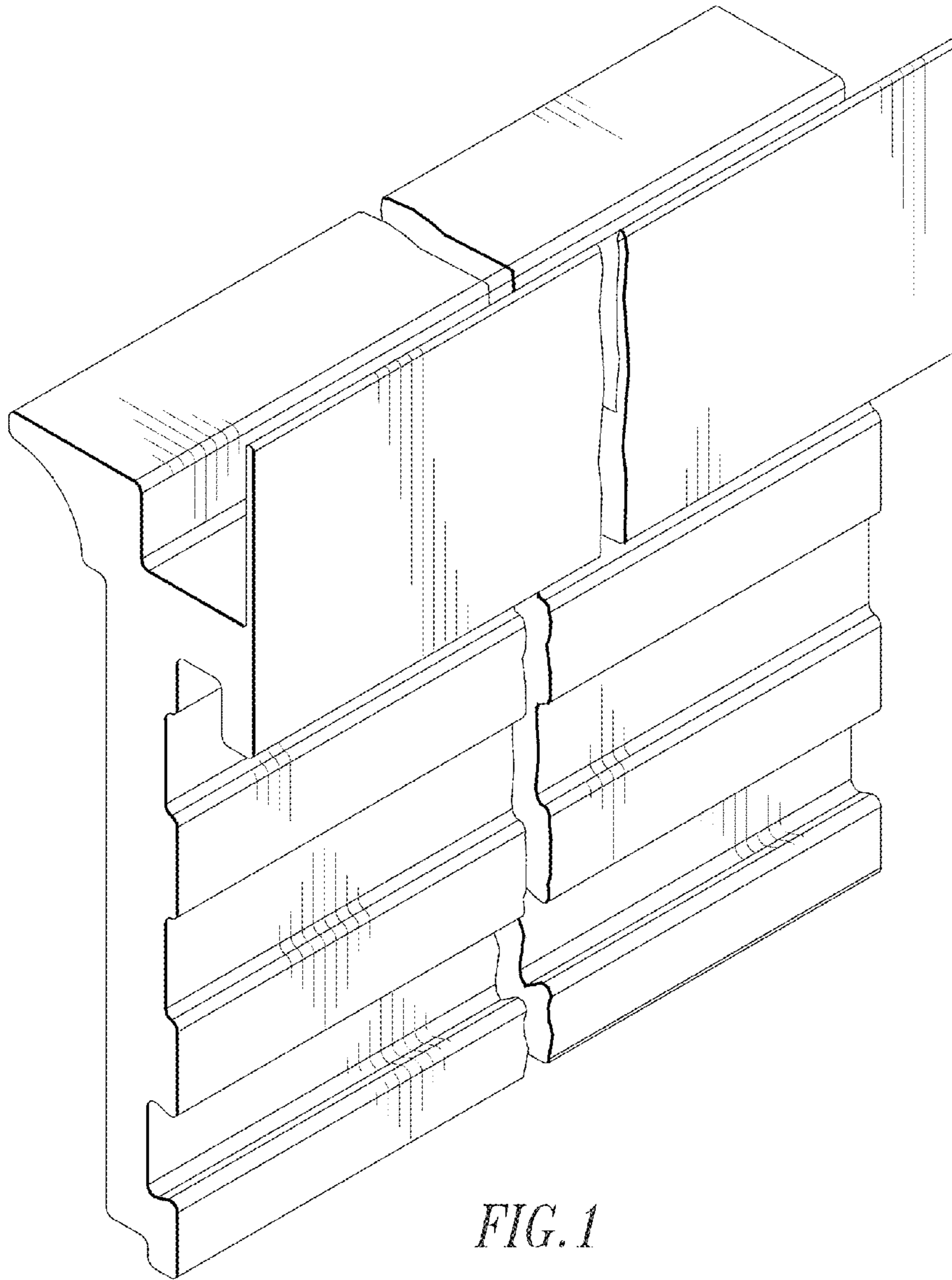
(56) **References Cited**

U.S. PATENT DOCUMENTS

2,678,476	A	*	5/1954	Carter	52/312
2,815,656	A	*	12/1957	Klein et al.	52/169.1
3,234,700	A	*	2/1966	Creveling	52/284
5,213,870	A	*	5/1993	Yamamoto	428/172

1 Claim, 5 Drawing Sheets





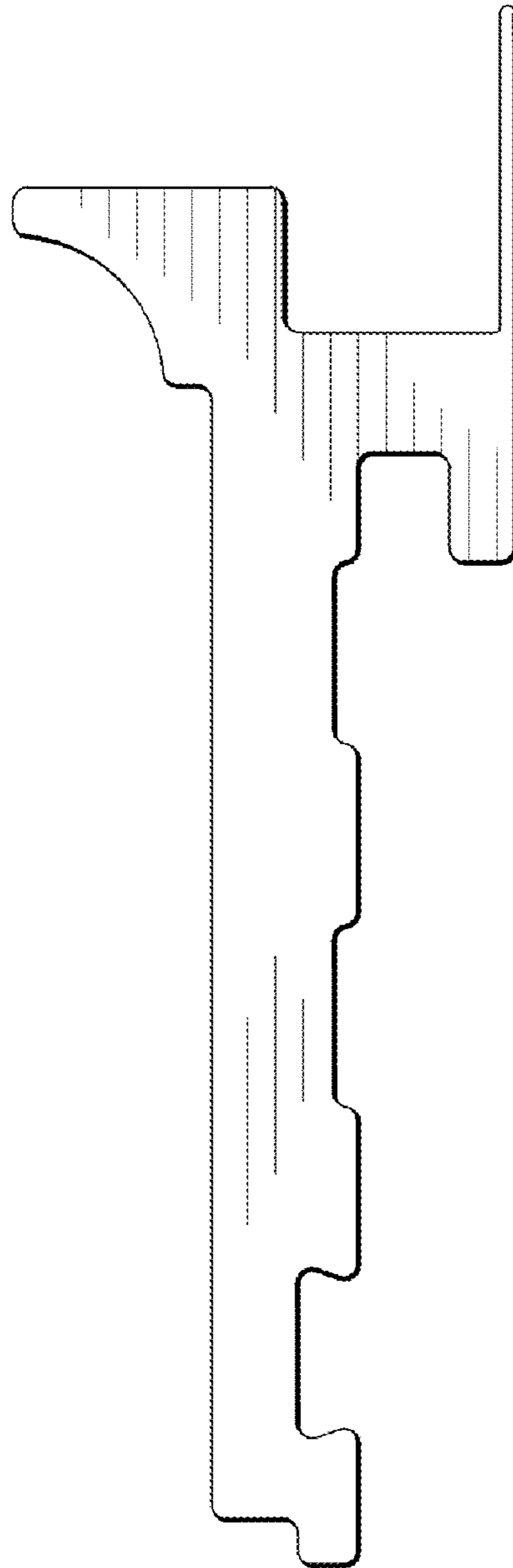


FIG. 2

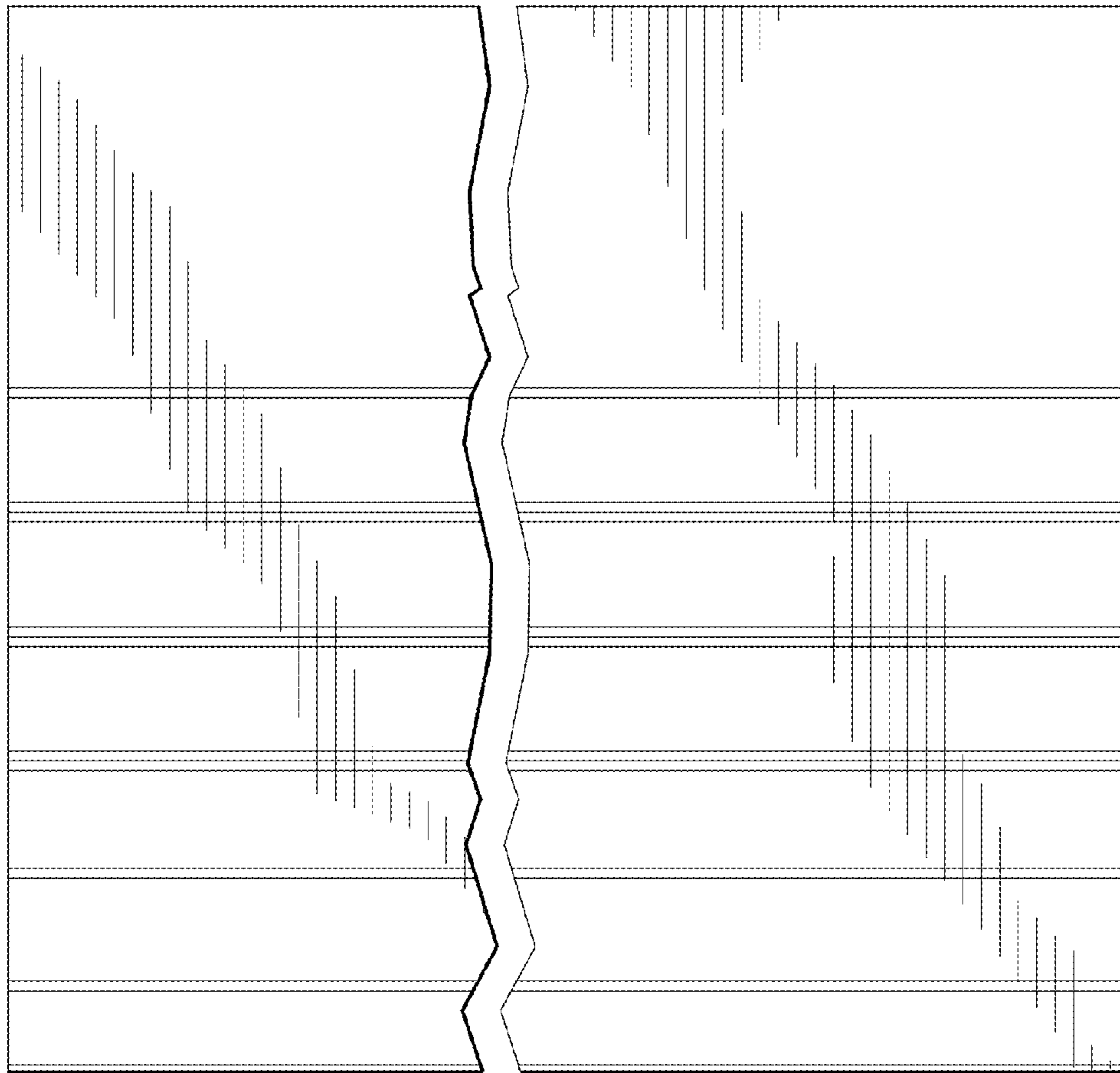


FIG. 3

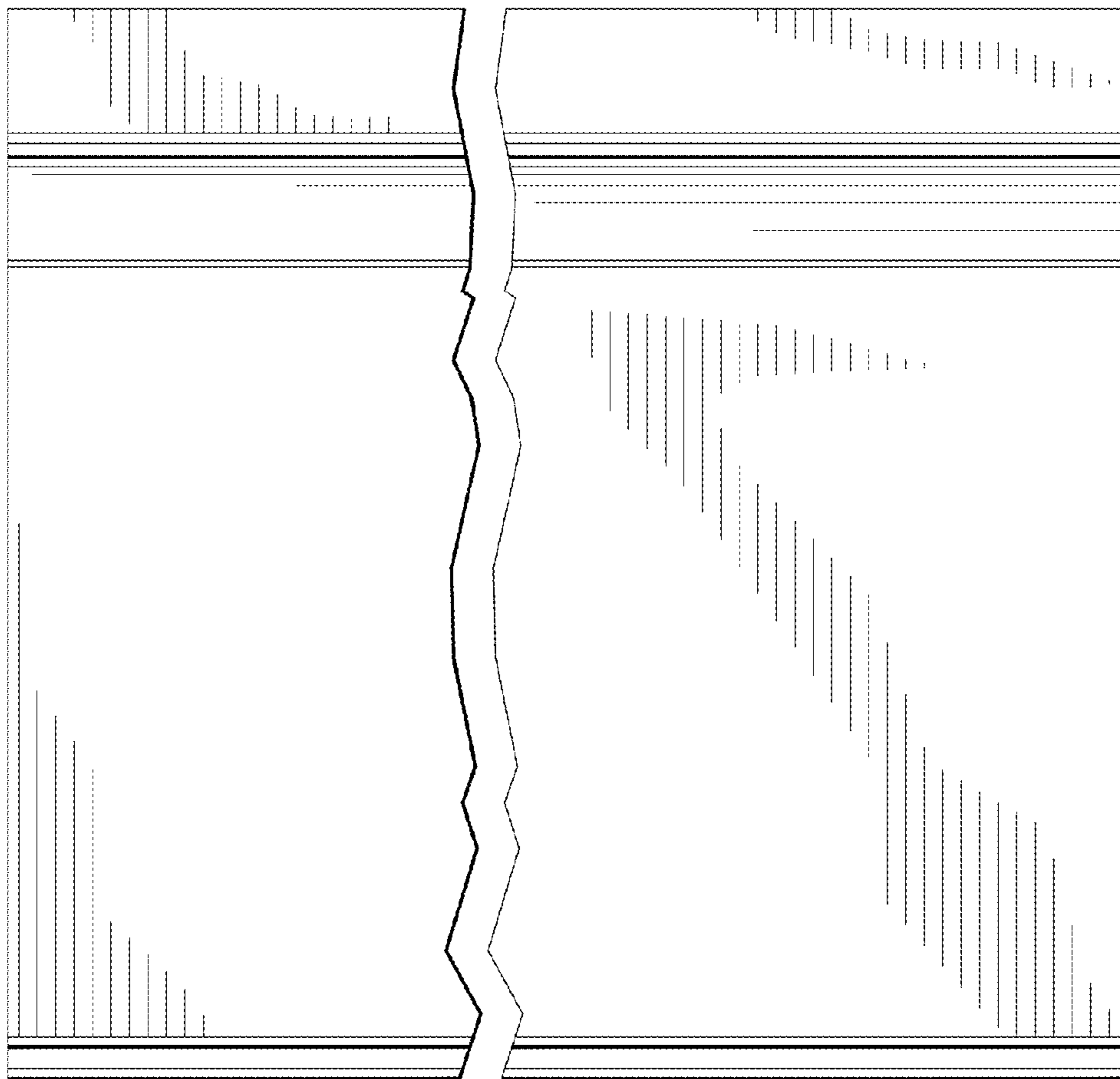


FIG. 4

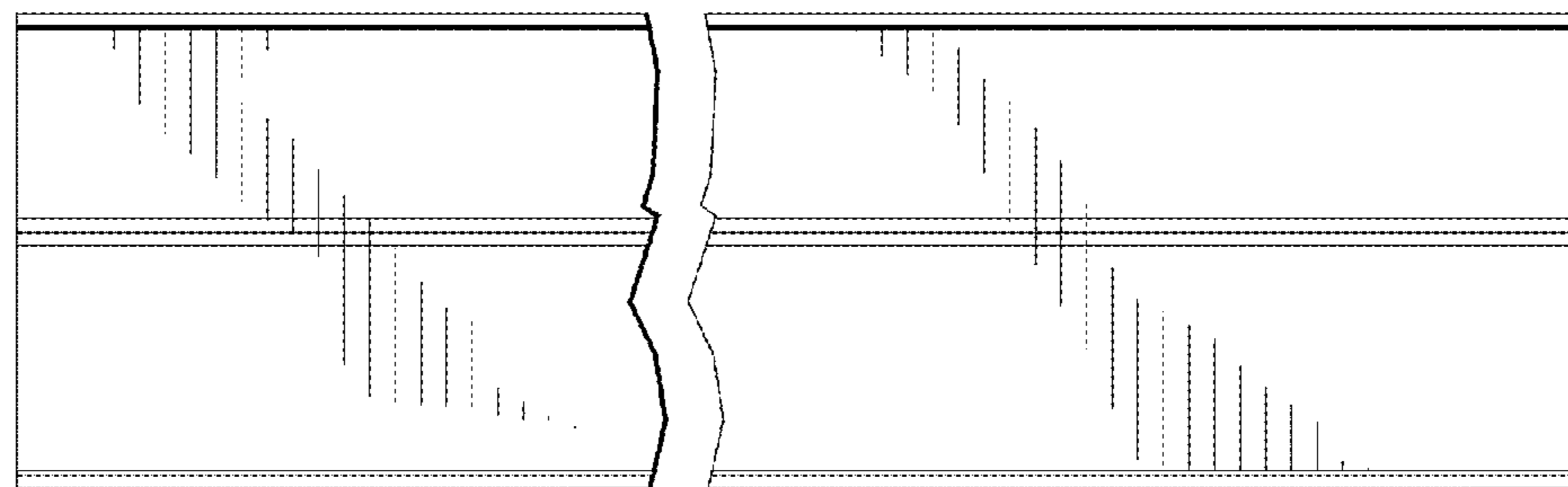


FIG. 5

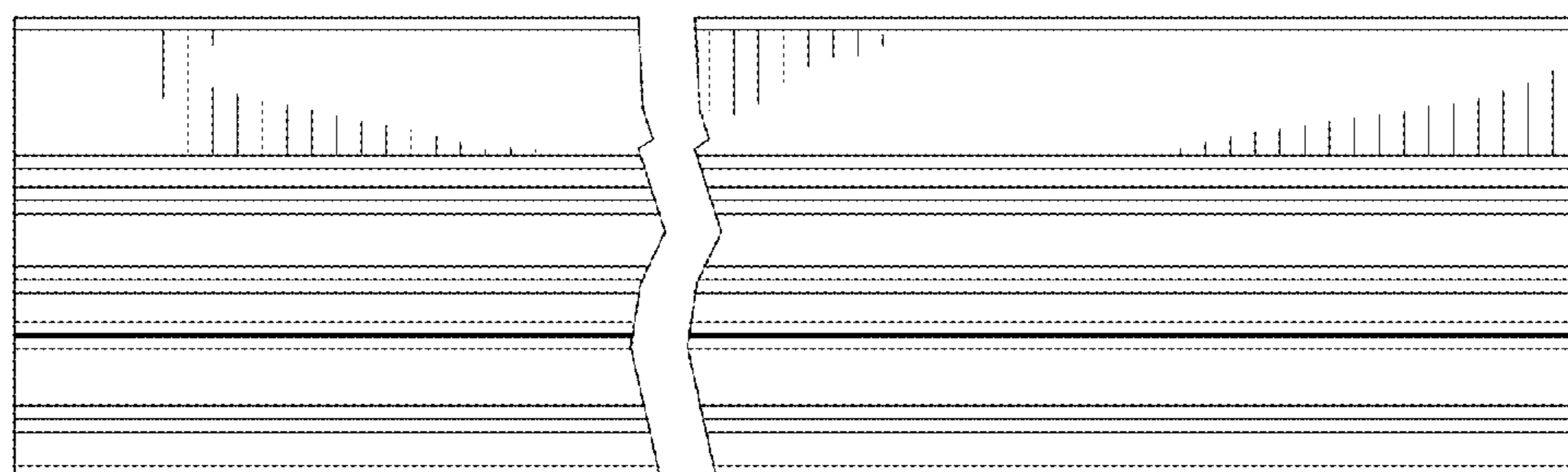


FIG. 6