



US00D679419S

(12) **United States Design Patent**  
**Gori et al.**

(10) **Patent No.:** **US D679,419 S**

(45) **Date of Patent:** **\*\* Apr. 2, 2013**

(54) **INTERLOCKING FINISH TRIM**

(75) Inventors: **Michael Gori**, Peckville, PA (US);  
**Stephen Koytek**, Moosic, PA (US);  
**Patrick Nolan**, Royersford, PA (US);  
**Michael A. Dotsey**, Pottstown, PA (US)

(73) Assignee: **AZEK Building Products, Inc.**,  
Scranton, PA (US)

(\*\*) Term: **14 Years**

(21) Appl. No.: **29/422,948**

(22) Filed: **May 25, 2012**

(51) **LOC (9) Cl.** ..... **25-01**

(52) **U.S. Cl.** ..... **D25/119; D25/55; D25/136**

(58) **Field of Classification Search** ..... 52/236.6,  
52/264, 272, 287.1, 255, 242, 293.1, 169.12,  
52/434, 435, 800.1, 716.1, 717.01, 716.8,  
52/718.01, 718.04, 11, 13, 14, 15, 58, 213,  
52/60, 61, 62, 290, 220.7, 211, 204.53, 588.1,  
52/590.1, 589.1; D25/119, 136, 55  
See application file for complete search history.

(56) **References Cited**

**U.S. PATENT DOCUMENTS**

2,641,203 A \* 6/1953 Coleman ..... 52/60  
3,284,967 A \* 11/1966 Elliott et al. .... 52/58  
3,397,496 A \* 8/1968 Sohns ..... 52/286  
6,167,660 B1 \* 1/2001 Sama ..... 52/58

D466,233 S \* 11/2002 Krieger ..... D25/136  
D477,420 S \* 7/2003 Butcher ..... D25/119  
8,234,830 B2 \* 8/2012 Pervan et al. .... 52/588.1  
2002/0018907 A1 2/2002 Zehner  
2002/0059760 A1 5/2002 Heard et al.  
2003/0046891 A1 3/2003 Colada et al.  
2008/0005986 A1 \* 1/2008 Thompson ..... 52/290  
2010/0043312 A1 2/2010 Chich et al.  
2010/0058691 A1 3/2010 Mannion

\* cited by examiner

*Primary Examiner* — Doris Clark

(74) *Attorney, Agent, or Firm* — Buchanan Ingersoll &  
Rooney, PC

(57) **CLAIM**

The ornamental design for an interlocking finish trim, as shown and described.

**DESCRIPTION**

FIG. 1 is a front perspective view of our interlocking finish trim;

FIG. 2 is a right side view thereof, the left side view being a mirror image thereof;

FIG. 3 is a front view thereof;

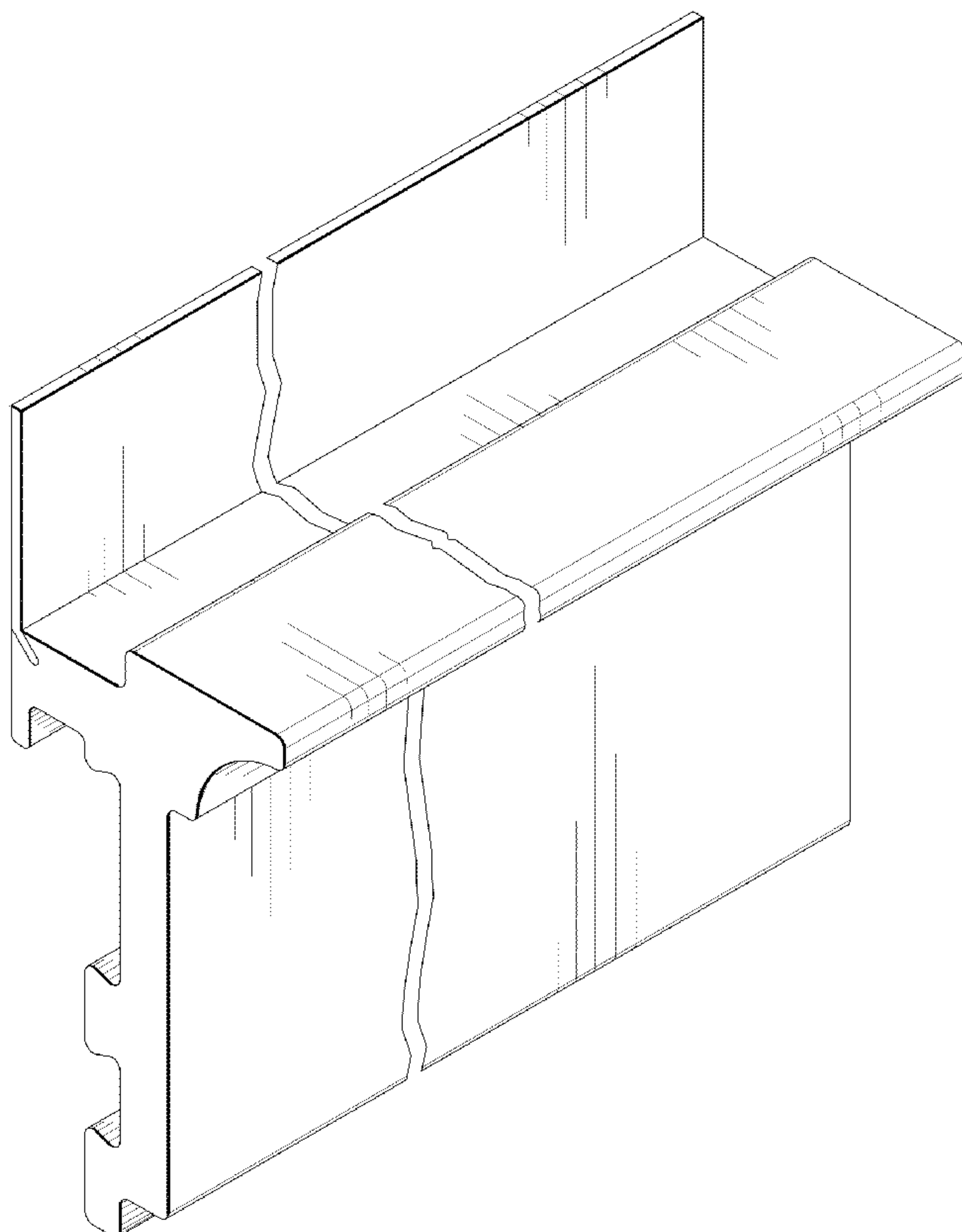
FIG. 4 is a rear view thereof;

FIG. 5 is a top view thereof; and,

FIG. 6 is a bottom view thereof.

In FIGS. 1 and 3 through 6 the interlocking finish trim is cut to indicate indeterminate length.

**1 Claim, 5 Drawing Sheets**



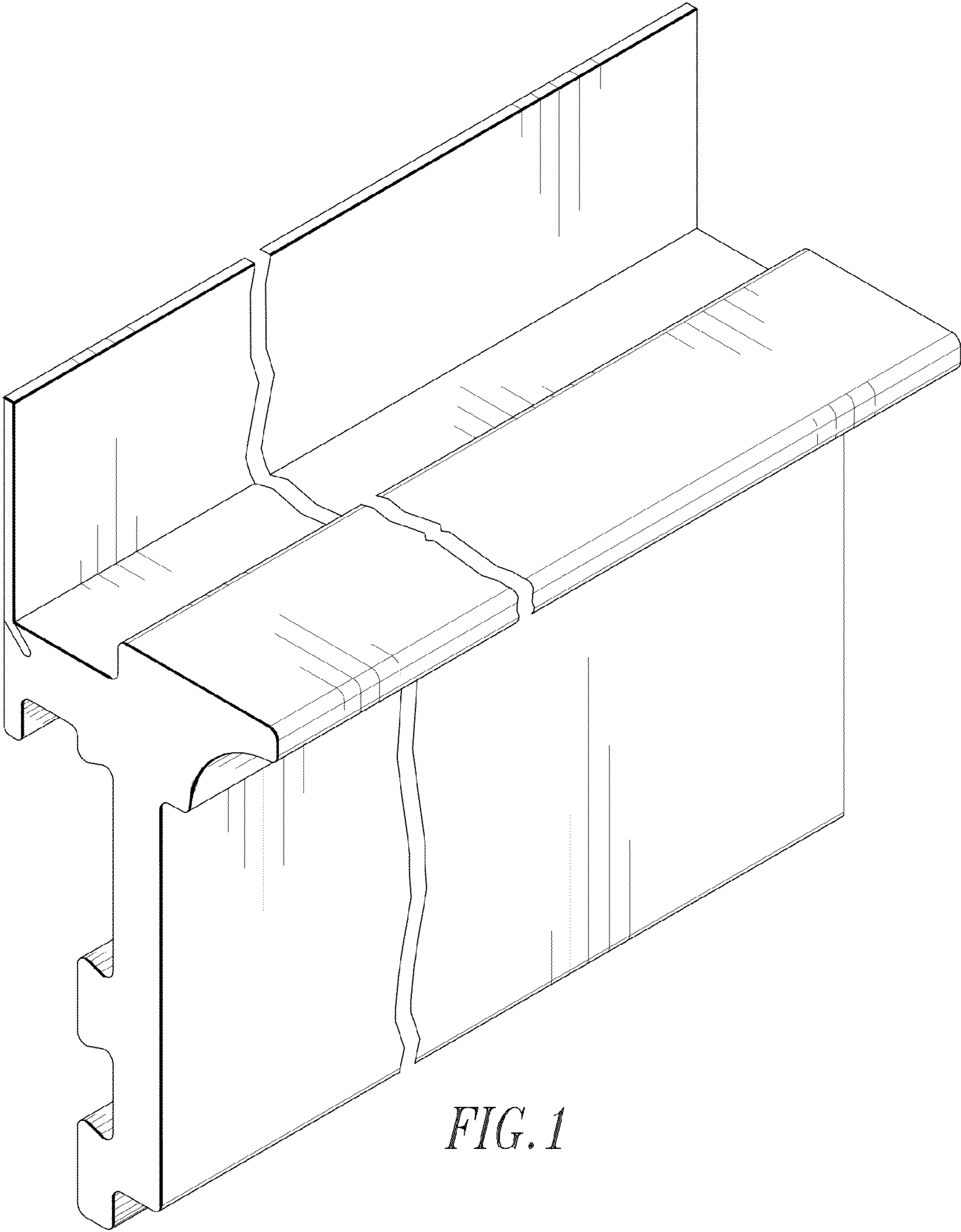
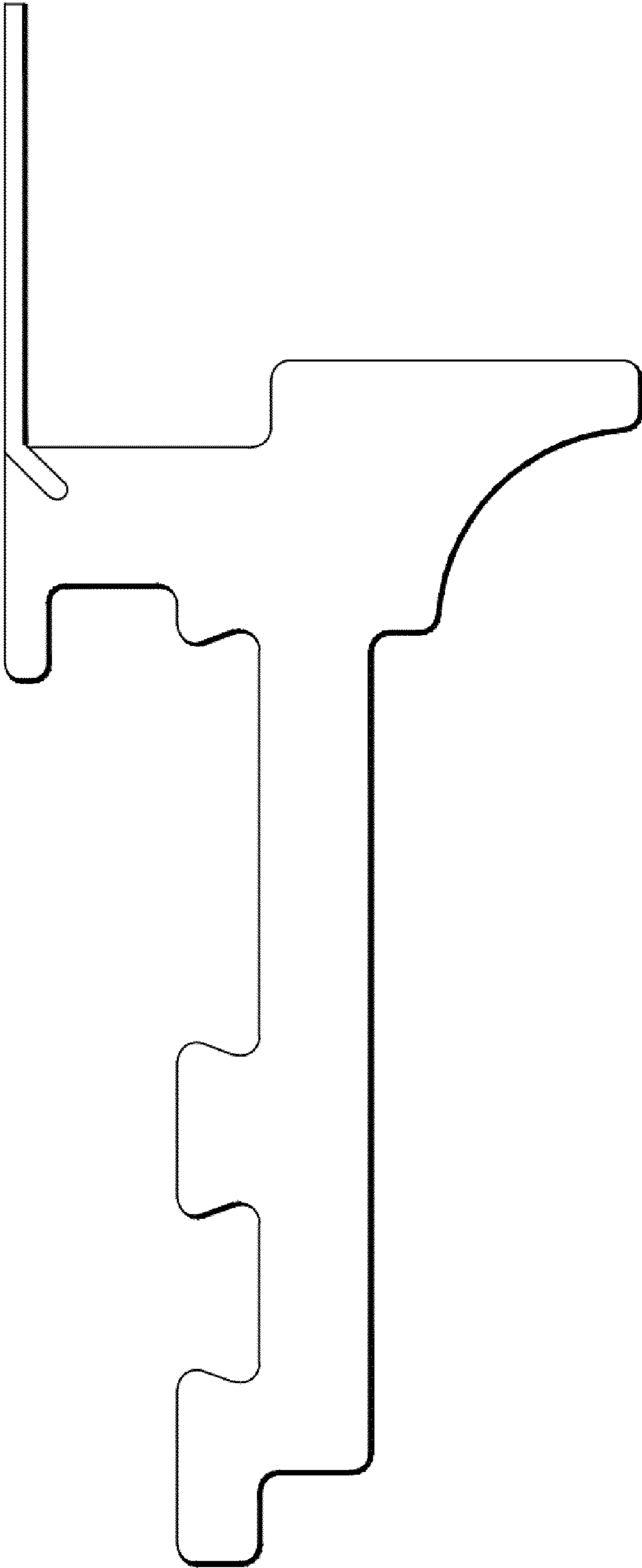
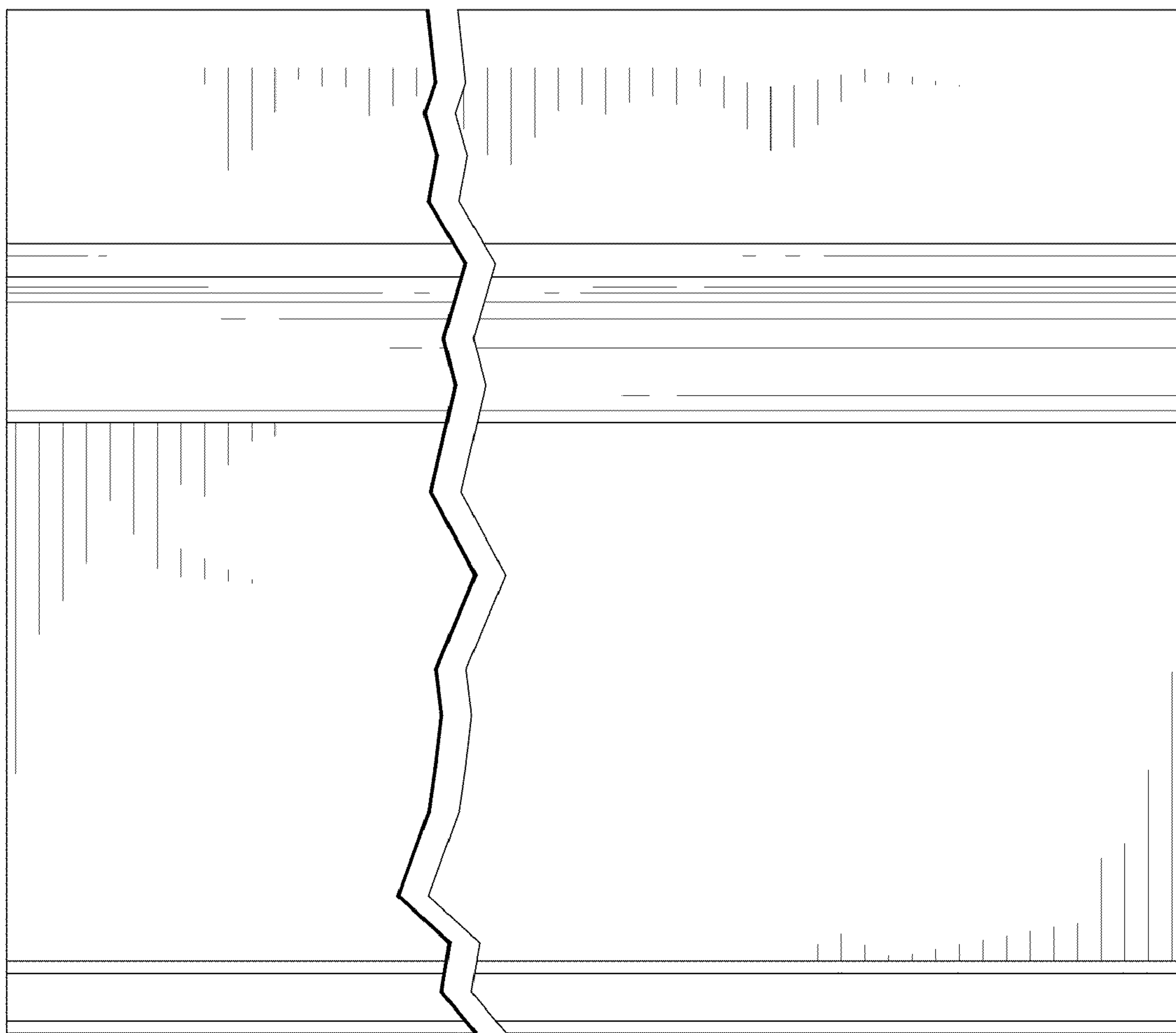


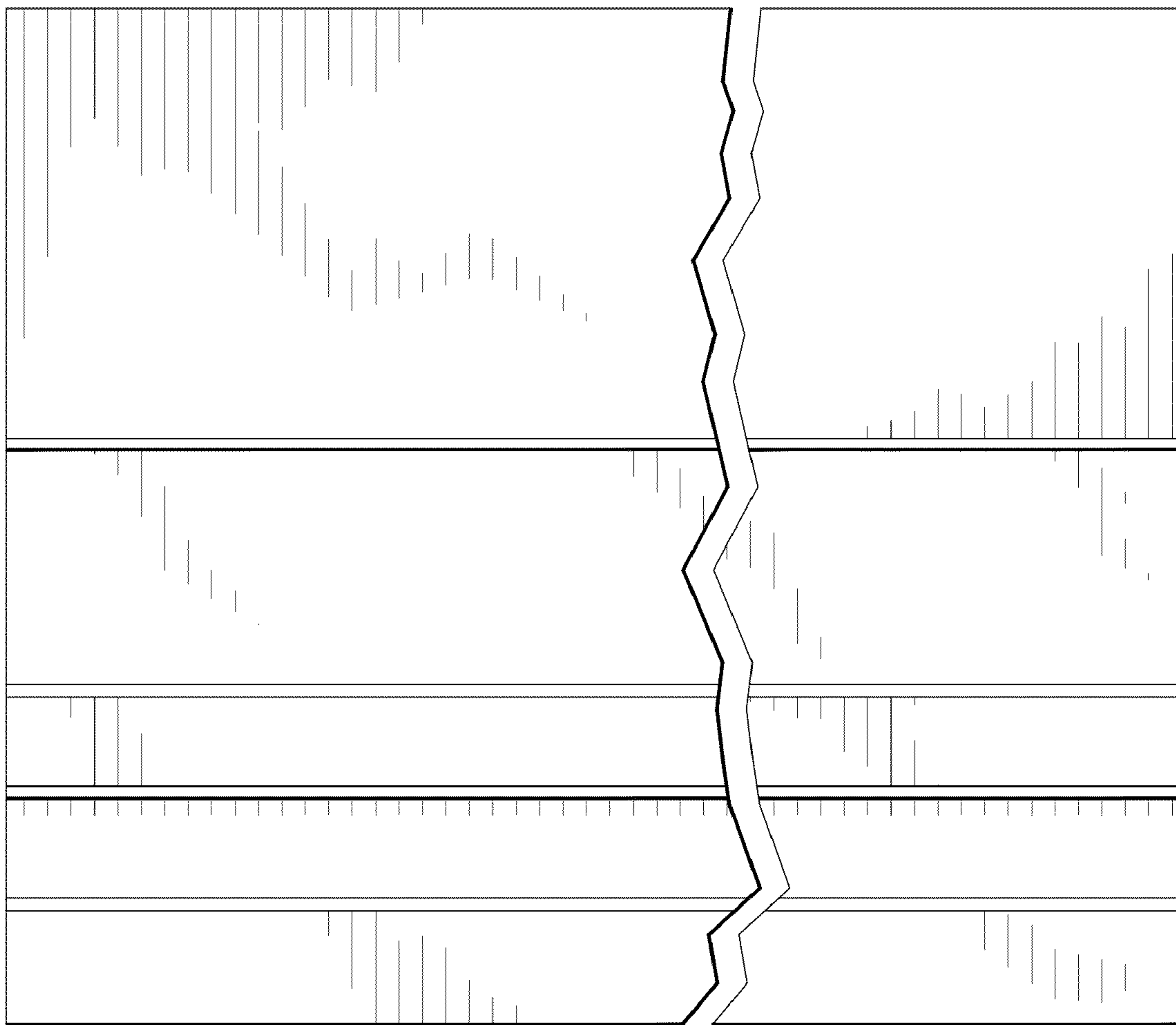
FIG. 1



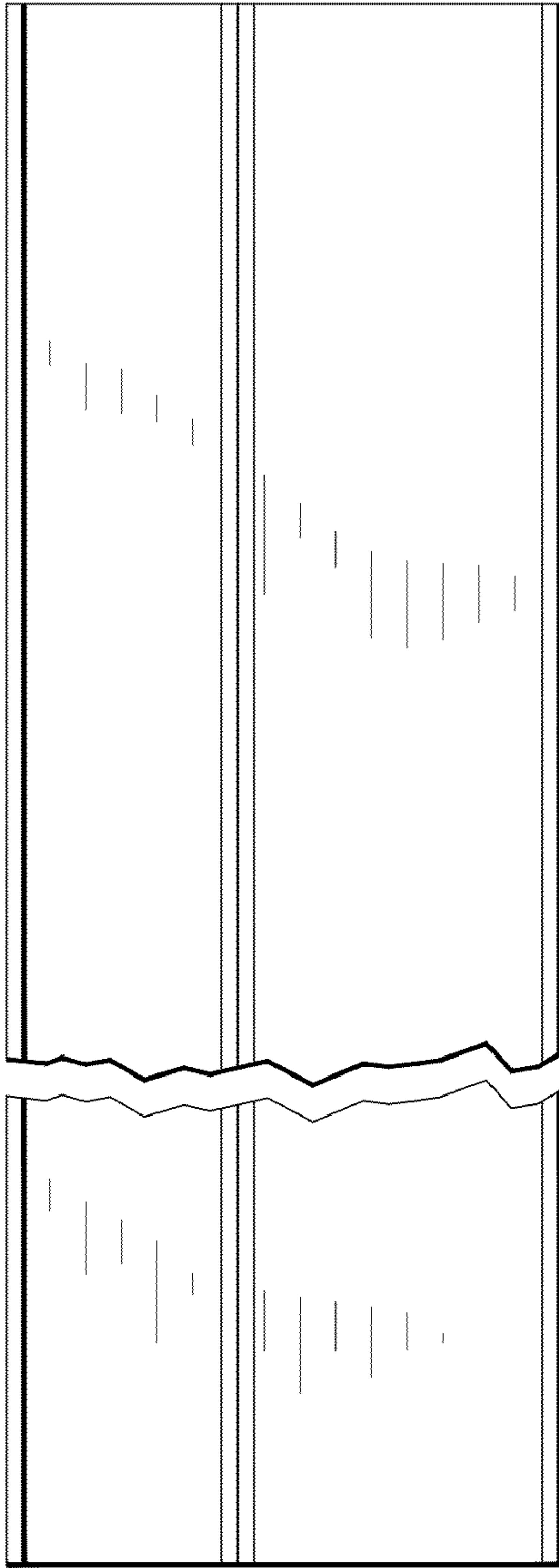
*FIG. 2*



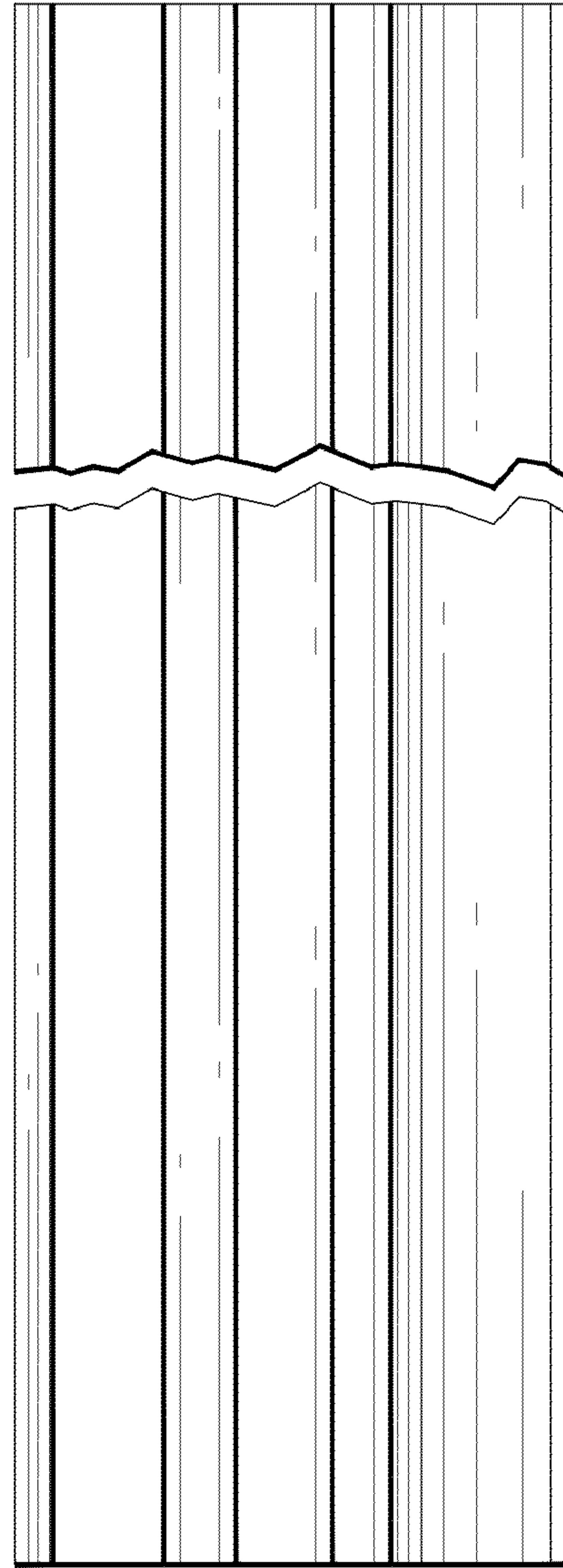
*FIG. 3*



*FIG. 4*



*FIG. 5*



*FIG. 6*